

# GROUND CLAMPS

## Bronze Ground Clamps & Heavy Duty Water Pipe Clamps

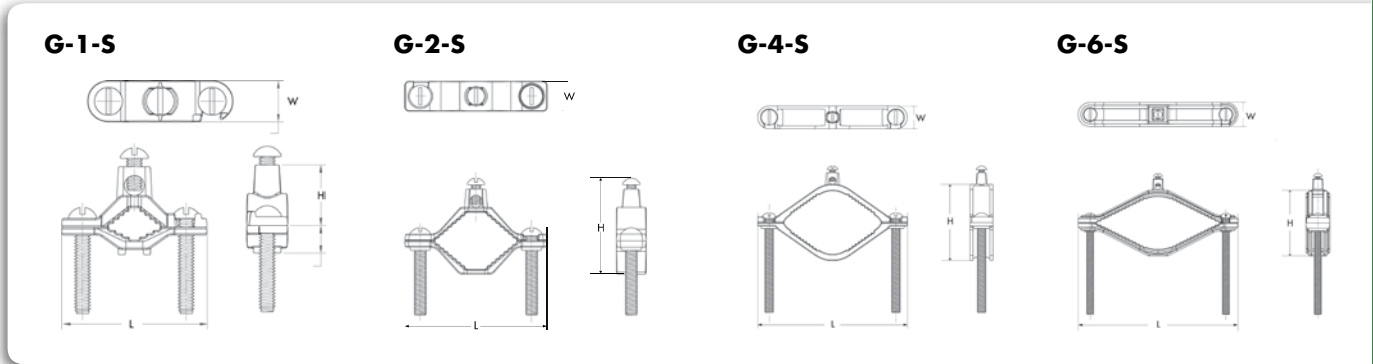
### G-S & G SERIES



### BRONZE GROUND CLAMPS



- Bronze ground clamp for bonding bare copper wire to water pipe or for use as a water meter shunt.
- Zinc plated steel screws.



All dimensional data is listed in inches.

CAT. NO.	PIPE SIZE (IPS)	GROUND WIRE RANGE	LENGTH (L)	WIDTH (W)	HEIGHT (H)	STD. CTN. QTY.
<b>G-1-S*</b>	1/2-1	10 SOL-2 STR	2.280	0.650	1.400	20
<b>G-2-S*</b>	1 1/4-2	10 SOL-2 STR	3.600	0.750	1.690	10
<b>G-4-S</b>	2 1/2-4	10 SOL-2 STR	6.350	0.970	3.750	6
<b>G-6-S</b>	4 1/2-6	10 SOL-2 STR	8.300	1.250	4.000	3

\*Also cULus listed.

### HEAVY DUTY WATER PIPE CLAMPS



- Bronze water pipe clamps with serrated head.
- Cast bronze body with plated steel screws.
- Designed for use alone or with heavy duty bronze adapters.

All dimensional data is listed in inches.

CAT. NO.	PIPE SIZE (IPS)	GROUND WIRE RANGE	LENGTH (L)	WIDTH (W)	HEIGHT (H)	STD. CTN. QTY.
<b>G-1</b>	1/2-1	10 SOL-2 STR	2.200	0.748	1.437	25
<b>G-2</b>	1 1/4-2	10 SOL-2 STR	3.500	0.847	2.180	15
<b>G-12</b>	2 1/2-4	10 SOL-2 STR	6.250	0.943	3.674	6
<b>G-13</b>	4 1/2-6	10 SOL-2 STR	7.916	0.933	4.165	4