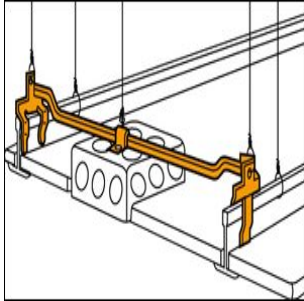


Site Search:  >> Select Language: [Home](#) [About Us](#) [Products](#) [Price Lists](#) [Library](#) [ERICO Partners](#) [Software & Downloads](#) [Contact Us](#)[Home](#) : [Products](#) : [CADDY® Fasteners - Electrical](#) : [Acoustical](#) : CADDY® Snap On Fixture/Box Hanger

## CADDY® Snap On Fixture/Box Hanger

[Where to buy](#) [Printer](#)

ERICO offers the CADDY Snap On Fixture/Box Hanger.

### Product Available In:

North America  
Latin America

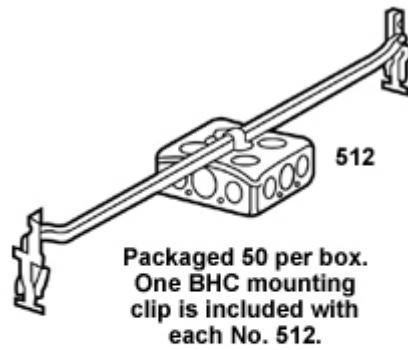
### Features

- Snaps easily onto tee bar
- Hanger comes complete with box mounting clip and 1/4"-20 screw
- Supports from acoustical tee bar as well as main structure with the use of a drop
- Dual height feature permits 1-1/2" deep electrical box to be mounted flush with t off-set 3/4" for plaster ring
- 512A is height adjustable up to 8" allowing you to install double deep boxes, spe. cases and emergency light fixtures above acoustical tee
- Not permitted for paddle fans

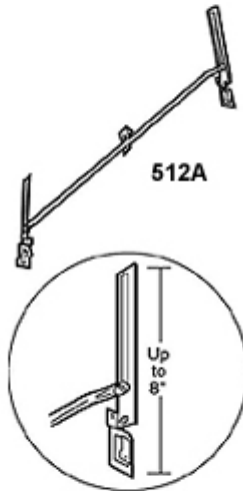
### Applications

Used for installing double deep boxes, speaker cases and emergency light fixtures above acoustical tee.

### More Information



Packaged 50 per box.  
One BHC mounting  
clip is included with  
each No. 512.



BHC can be purchased  
separately when more than  
one box is required.  
Screw furnished.

Catalog Number	Description	Std Box Qty
S3575BP50	1/4"-20 x 3/8" round head screw	50
S102438BP*	10-24 1/2" Rnd Hd Robertson screw	50
512	Electrical box hanger - 24" span	50
512TC*	Electrical box hanger - 24" span	50
51212	Electrical box hanger - 12" span	50
51220	Electrical box hanger - 20" span	50
51230	Electrical box hanger - 30" span	50
CHB	Box mounting clip	100
CHBTC*	Box mounting clip	100
512A	8" height adjustable - 24" span	50
512ATC*	8" height adjustable - 24" span	50

*Not to exceed 20 lbs. without independent wire support to BHC*  
*\*For Canadian boxes*

Copyright © 2006 ERICO International Corporation. [Privacy and Legal Statements](#) · [Top of Page](#)