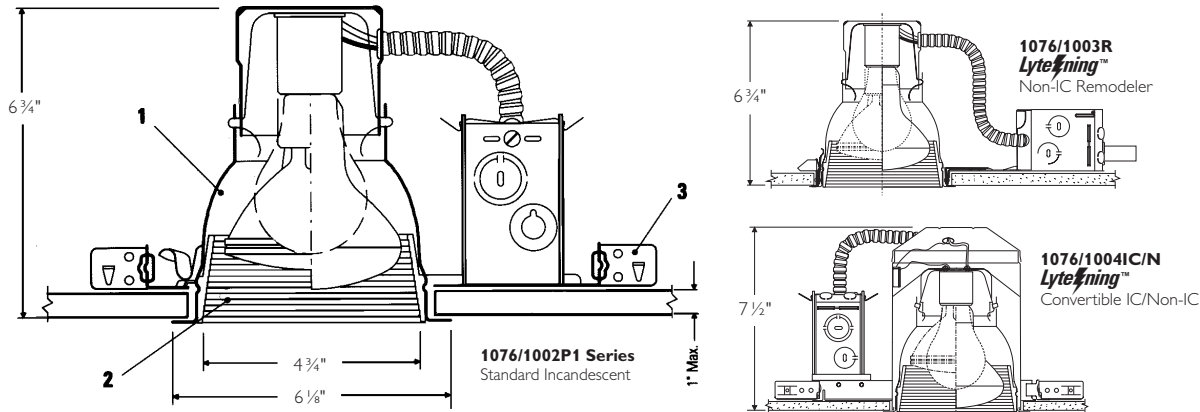


## Lytecaster, 5" Aperture, Basic Baffle Reflector Trim

Catalog number:

Notes:

Type:



Complete Fixture consists of Reflector Trim & Frame-In Kit. Select each separately. See Individual Frame-In Kit specification sheets for more information.

Reflector Trim	LED Frame-In Kit				Fluorescent Frame-In Kit			
	Frame-In Kit	Installation Type	Lamping	Height	Frame-In Kit	Installation Type	Lamping	Height
<b>1076</b> Matte Black	<b>1001LED</b>	Non-IC	LED	6 3/4"	<b>1001F13U Series</b>	UniFrame™ Non-IC	(1) Triple 13W (GX24q-1)	5 7/8"
	<b>1001LEDEM</b>	Non-IC EM	LED	6 3/4"				
	<b>1001LEDREM</b>	Non-IC Remodeler	LED	6 3/4"				
	<b>L56LED</b>	Non-IC Retrofit	LED	6 3/4"				
<b>1076WH</b> Gloss White	<b>Incandescent Frame-In Kit</b>				<b>1001F18U Series</b>	UniFrame™ Non-IC	(1) Triple 18W (GX24q-2)	5 7/8"
	Frame-In Kit	Installation Type	Lamping	Height	<b>1004F13 Series</b>	IC	(1) Quad/Triple 13W (GX24q-2)	7 1/2"
	<b>1000P1</b> <b>1002P1</b>	Non-IC	60W A19 75W PAR30* 75W BR30	6 3/4"	<b>1004F18** Series</b>	IC	(1) Quad/Triple 18W (GX24q-2)	7 1/2"
	<b>1003R</b>	Non-IC Remodeler	60W A19 75W PAR30* 85W BR30	6 3/4"	<b>1004F26** Series</b>	IC	(1) Quad/Triple 26W (GX24q-2)	7 1/2"
	<b>1000IC</b> <b>1000AICM</b>	IC IC AirSeal®	40W A19 65W BR30 75W PAR30	7 5/16" 7 5/16"	<b>1001F13ICU/N</b>	Performance IC	(1) Triple 13W (GX24q-1)	7 1/4"
	<b>1004ICX/N</b>	IC AirSeal®	40W A19 75W PAR30* 65W BR30	7 1/4"	<b>1001F18ICU/N</b>	Performance IC	(1) Triple 18W (GX24q-2)	7 1/4"
	<b>1004IC/N</b> <b>1004ICR</b>	IC IC Remodeler	50W PAR30 60W BR30	7 1/2" 7 1/2"	*(Use Socket Extender with Short Neck) **Lightolier recommends the use of triple tube lamps			
	<b>1004IC/N</b> <b>1004ICR</b>	Non-IC Non-IC Remodeler	65W BR30 75W PAR30 40W A19	7 1/2" 7 1/2"	<b>All-In-One-Box</b> Product comes with Reflector, Trim and Philips LED BR30 LED Lamps. Frames are sold separately.			
	<b>1004SIC/N</b> <b>1004SICR</b>	IC IC Remodeler	50W PAR30* 60W BR30	5 1/2" 5 1/2"	<b>1076WHBR30D</b>			
	<b>1004SIC/N</b> <b>1004SICR</b>	Non-IC Non-IC Remodeler	75W PAR30* 75W BR30	5 1/2" 5 1/2"	<b>1076WHBR30ND</b>			
					<b>Gloss White Baffle c/w Philips BR30 LED Dim Lamp (to be used with Incandescent Frame-In-Kit only).</b>		<b>Gloss White Baffle c/w Philips BR30 LED Non-Dim Lamp (to be used with Incandescent Frame-In-Kit only).</b>	

## Lytecaster, 5" Aperture, Basic Baffle Reflector Trim

### Features

- Reflector:** Hydroformed aluminum, .040" thick (18 ga.): non-yellowing, scratch resistant Perma White finish, 88% reflectance; white trim flange.
- Step Baffle:** Molded high heat plastic with stepped conical surface for low brightness, matte black or gloss white finish.
- Frame-In Kit:** (1002P1 standard frame shown). Other frames listed above and shown on the right. See Frame-In Kit specification sheets for more details.

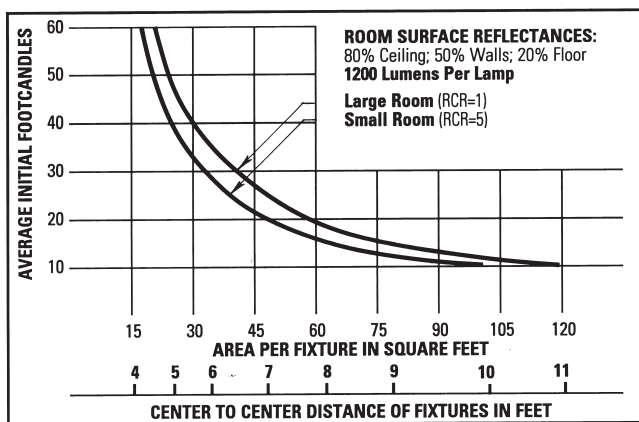
### Options & Accessories

#### Medium-Base PAR30 Socket Extender:

1968 - For use w/short neck PAR30 lamps in P1 and Lytning housings.

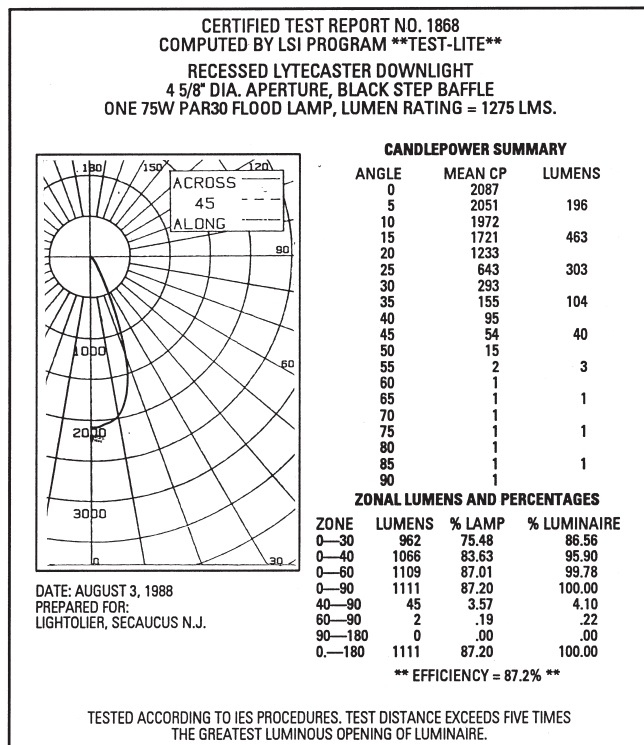
#### Labels

UL (Suitable for Damp Locations), I.B.E.W.



Use quick calculator chart to determine the spacing of 75 Watt PAR30 FL units (Black) for a desired level of illumination. Conversion Factors: 75W PAR30 FL, White, F.C. x 1.1.

SPACING RATIO = 0.7



Conversion Factor: 75W PAR30 FL; White, C.U. x 1.1 65W BR30 FL; Black, C.U. x .75; White, C.U. x 1.0.

To convert lighting data for a lower wattage incandescent lamp of the same type, multiply the footcandle (or candlepower) values by the ratio of the lumens of the two lamps. The coefficients of utilization remain the same.



Philips Lightolier  
e: lol.webmaster@philips.com  
t: (508) 679-8131  
w: www.lightolier.com

1076 November 6, 2013

Specifications are subject to change without notice.  
© Koninklijke Philips Electronics N.V., 2010. All rights reserved.

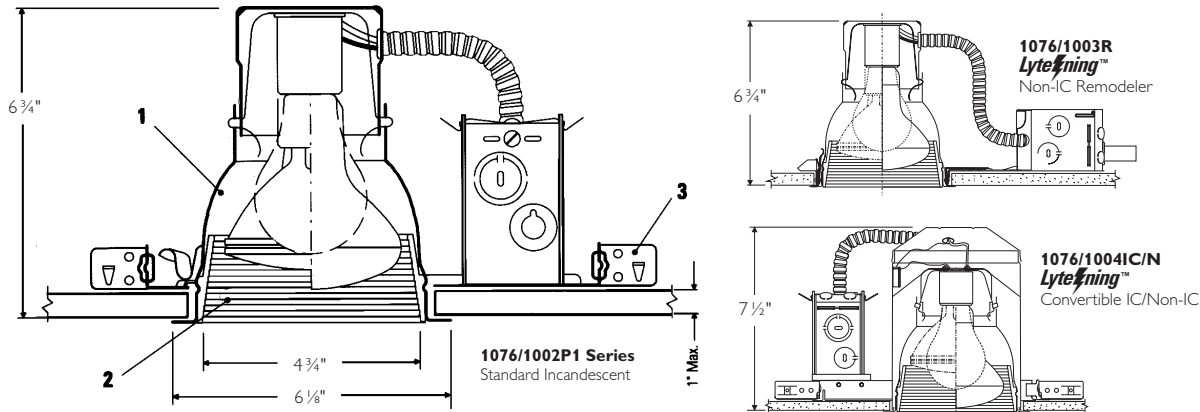
**PHILIPS**  
**LIGHTOLIER**

## Lytecaster, 5" Aperture, Basic Baffle Reflector Trim

Catalog number:

Notes:

Type:



Complete Fixture consists of Reflector Trim & Frame-In Kit. Select each separately. See Individual Frame-In Kit specification sheets for more information.

Reflector Trim	LED Frame-In Kit				Fluorescent Frame-In Kit					
	Frame-In Kit	Installation Type	Lamping	Height	Frame-In Kit	Installation Type	Lamping	Height		
<b>1076</b> Matte Black	<b>1001LED</b>	Non-IC	LED	6 3/4"	<b>1001F13U Series</b>	UniFrame™ Non-IC	(1) Triple 13W (GX24q-1)	5 7/8"		
	<b>1001LEDEM</b>	Non-IC EM	LED	6 3/4"						
	<b>1001LEDREM</b>	Non-IC Remodeler	LED	6 3/4"						
	<b>L56LED</b>	Non-IC Retrofit	LED	6 3/4"						
<b>1076WH</b> Gloss White	<b>Incandescent Frame-In Kit</b>				<b>1001F18U Series</b>	UniFrame™ Non-IC	(1) Triple 18W (GX24q-2)	5 7/8"		
	Frame-In Kit	Installation Type	Lamping	Height	<b>1004F13 Series</b>	IC	(1) Quad/Triple 13W (GX24q-2)	7 1/2"		
	<b>1000P1</b> <b>1002P1</b>	Non-IC	60W A19 75W PAR30* 75W BR30	6 3/4"	<b>1004F18** Series</b>	IC	(1) Quad/Triple 18W (GX24q-2)	7 1/2"		
	<b>1003R</b>	Non-IC Remodeler	60W A19 75W PAR30* 85W BR30	6 3/4"	<b>1004F26** Series</b>	IC	(1) Quad/Triple 26W (GX24q-2)	7 1/2"		
	<b>1000IC</b> <b>1000AICM</b>	IC IC AirSeal®	40W A19 65W BR30 75W PAR30	7 5/16" 7 5/16"	<b>1001F13ICU/N</b>	Performance IC	(1) Triple 13W (GX24q-1)	7 1/4"		
	<b>1004ICX/N</b>	IC AirSeal®	40W A19 75W PAR30* 65W BR30	7 1/4"	<b>1001F18ICU/N</b>	Performance IC	(1) Triple 18W (GX24q-2)	7 1/4"		
	<b>1004IC/N</b> <b>1004ICR</b>	IC IC Remodeler	50W PAR30 60W BR30	7 1/2" 7 1/2"	*(Use Socket Extender with Short Neck) **Lightolier recommends the use of triple tube lamps					
	<b>1004IC/N</b> <b>1004ICR</b>	Non-IC Non-IC Remodeler	65W BR30 75W PAR30 40W A19	7 1/2" 7 1/2"						
	<b>1004SIC/N</b> <b>1004SICR</b>	IC IC Remodeler	50W PAR30* 60W BR30	5 1/2" 5 1/2"	<b>All-In-One-Box</b> Product comes with Reflector, Trim and Philips LED BR30 LED Lamps. Frames are sold separately.					
	<b>1004SIC/N</b> <b>1004SICR</b>	Non-IC Non-IC Remodeler	75W PAR30* 75W BR30	5 1/2" 5 1/2"						
					<b>1076WHBR30D</b>	<b>1076WHBR30ND</b>				
					Gloss White Baffle c/w Philips BR30 LED Dim Lamp (to be used with Incandescent Frame-In-Kit only).		Gloss White Baffle c/w Philips BR30 LED Non-Dim Lamp (to be used with Incandescent Frame-In-Kit only).			

## Lytecaster, 5" Aperture, Basic Baffle Reflector Trim

### Features

- Reflector:** Hydroformed aluminum, .040" thick (18 ga.): non-yellowing, scratch resistant Perma White finish, 88% reflectance; white trim flange.
- Step Baffle:** Molded high heat plastic with stepped conical surface for low brightness, matte black or gloss white finish.
- Frame-In Kit:** (1002P1 standard frame shown). Other frames listed above and shown on the right. See Frame-In Kit specification sheets for more details.

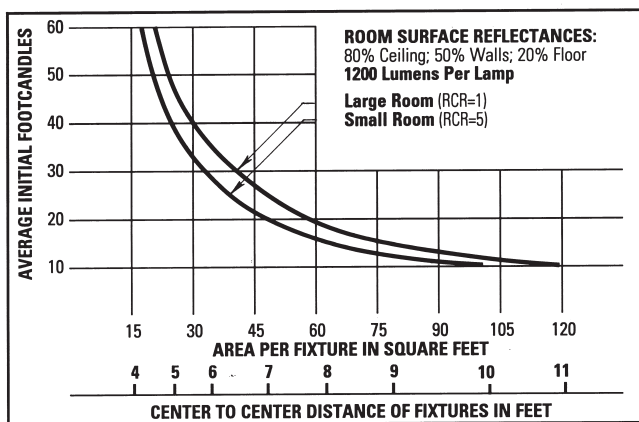
### Options & Accessories

#### Medium-Base PAR30 Socket Extender:

1968 - For use w/short neck PAR30 lamps in P1 and Lytning housings.

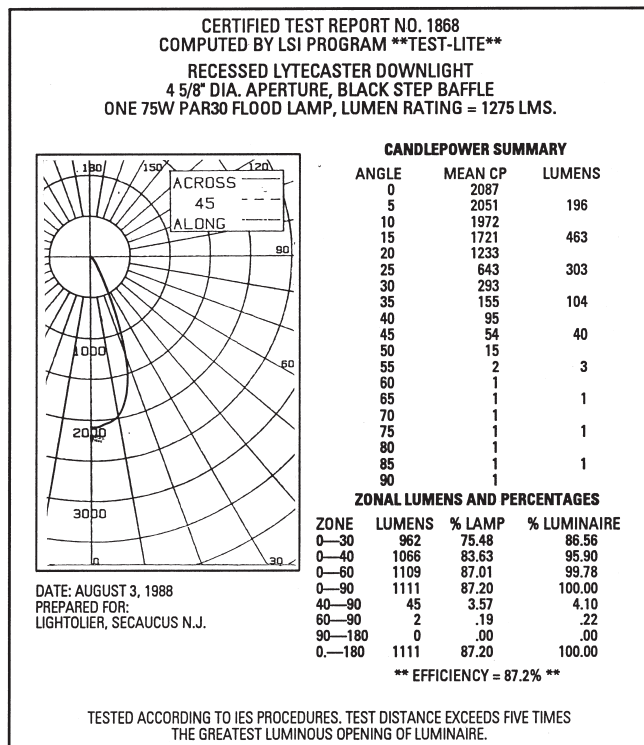
#### Labels

UL (Suitable for Damp Locations), I.B.E.W.



Use quick calculator chart to determine the spacing of 75 Watt PAR30 FL units (Black) for a desired level of illumination. Conversion Factors: 75W PAR30 FL, White, F.C. x 1.1.

SPACING RATIO = 0.7



Conversion Factor: 75W PAR30 FL; White, C.U. x 1.1 65W BR30 FL; Black, C.U. x .75; White, C.U. x 1.0.

To convert lighting data for a lower wattage incandescent lamp of the same type, multiply the footcandle (or candlepower) values by the ratio of the lumens of the two lamps. The coefficients of utilization remain the same.



Philips Lightolier  
e: lol.webmaster@philips.com  
t: (508) 679-8131  
w: www.lightolier.com

1076 November 6, 2013

Specifications are subject to change without notice.  
© Koninklijke Philips Electronics N.V., 2010. All rights reserved.

**PHILIPS**  
**LIGHTOLIER**