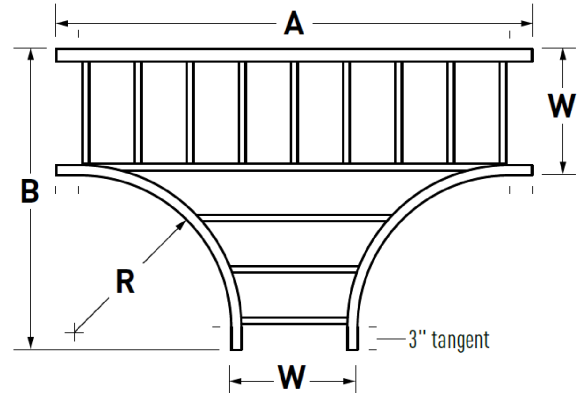
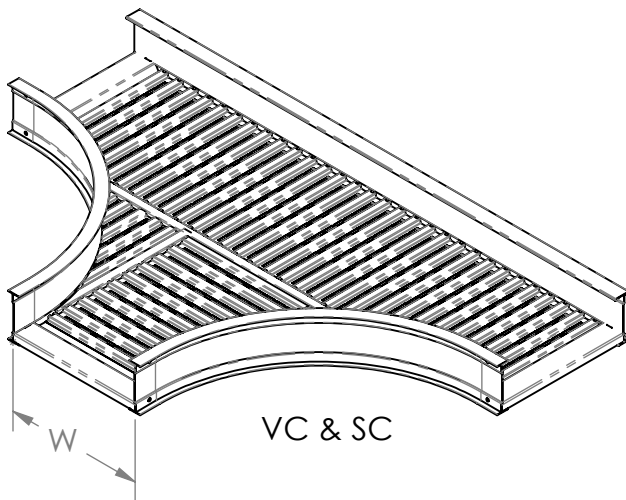
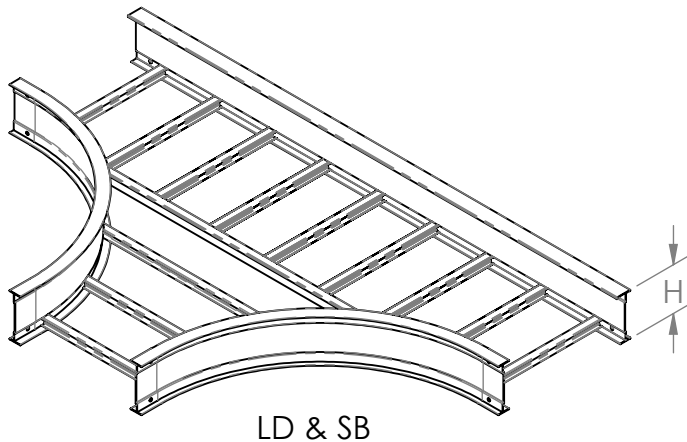


HT Standard Horizontal Tee



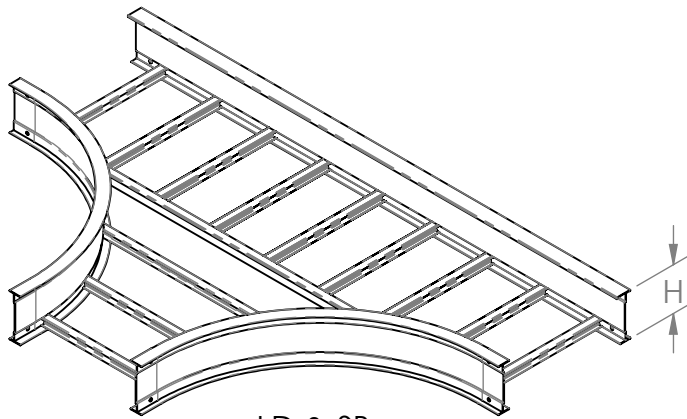
RADIUS R	WIDTH W	A	B
12	6	36	21
	9	39	24
	12	42	27
	18	48	33
	24	54	39
	30	60	45
24	36	66	51
	6	60	33
	9	63	36
	12	66	39
	18	72	45
	24	78	51
36	30	84	57
	36	90	63
	6	84	45
	9	87	48
	12	90	51
	18	96	57
	24	102	63
	30	108	69
	36	114	75

- **Material:** Aluminum Alloy 6063 and 5052
- **Finish:** Plain
- **Bottom:** LD: 1" wide rung
SB: Flat sheet over Rung
SC: Solid Corrugated
VC: Vented Corrugated
- **Construction:** Welded
- **Tray Design:** Tray construction and markings are per the latest edition of NEMA Standards Publication VE1, CSA C22.2 No. 126
- **Connectors:** All fittings are supplied with necessary connectors and fasteners
- **Fitting heights (H):** Tray height: 4, 5, 6, 7"
- **Width (W):** Tray width: 6", 9", 12", 18", 24", 30", 36"

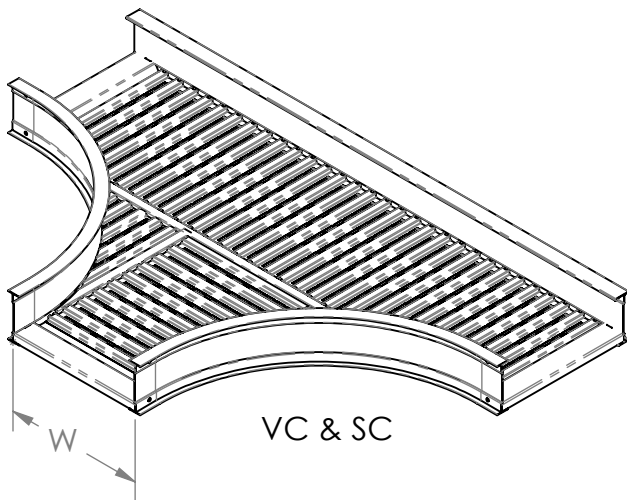
ITRAY VERTICAL TEE CATALOG NUMBERING EXAMPLE:			
BOTTOM TYPE	← VC - 4 A - HT 24 - 09 →	WIDTH	
VENTED		06 - 6"	
LD - Ladder Rung		09 - 9"	
VC - Vented Corrugated		12 - 12"	
NON-VENTED		18 - 18"	
SC - Solid Corrugated		24 - 24"	
SB - Solid Bottom		30 - 30"	
		36 - 36"	
RAIL HEIGHT	4 - 4"	FITTING CODE	RADIUS
5 - 5"			12 - 12"
6 - 6"			24 - 24"
7 - 7"			30 - 30"
			36 - 36"
	MATERIAL		
	A		

Legrand
8319 State Route 4
Mascoutah, IL 62258 USA
800-658-4641
618-566-3230
Fax 618-566-3250
www.legrand.us/cablofil

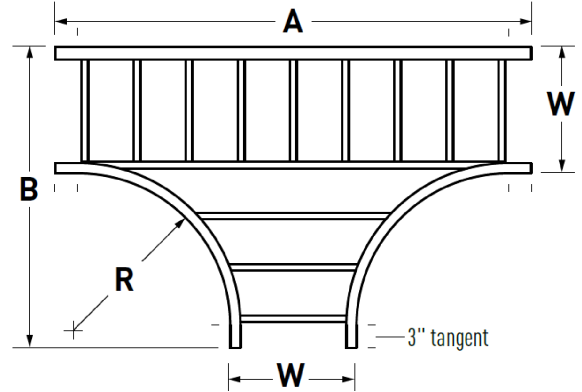
HT Standard Horizontal Tee



LD & SB



VC & SC



RADIUS R	WIDTH W	A	B
12	6	36	21
	9	39	24
	12	42	27
	18	48	33
	24	54	39
	30	60	45
24	36	66	51
	6	60	33
	9	63	36
	12	66	39
	18	72	45
	24	78	51
36	30	84	57
	36	90	63
	6	84	45
	9	87	48
	12	90	51
	18	96	57
	24	102	63
	30	108	69
	36	114	75

- **Material:** Aluminum Alloy 6063 and 5052
- **Finish:** Plain
- **Bottom:** LD: 1" wide rung
SB: Flat sheet over Rung
SC: Solid Corrugated
VC: Vented Corrugated
- **Construction:** Welded
- **Tray Design:** Tray construction and markings are per the latest edition of NEMA Standards Publication VE1, CSA C22.2 No. 126
- **Connectors:** All fittings are supplied with necessary connectors and fasteners
- **Fitting heights (H):** Tray height: 4, 5, 6, 7"
- **Width (W):** Tray width: 6", 9", 12", 18", 24", 30", 36"

ITRAY VERTICAL TEE CATALOG NUMBERING EXAMPLE:			
BOTTOM TYPE	← VC - 4 A - HT 24 - 09 →	WIDTH	
VENTED			06 - 6"
LD - Ladder Rung			09 - 9"
VC - Vented Corrugated			12 - 12"
NON-VENTED			18 - 18"
SC - Solid Corrugated			24 - 24"
SB - Solid Bottom			30 - 30"
RAIL HEIGHT		FITTING CODE	
4 - 4"			12 - 12"
5 - 5"			24 - 24"
6 - 6"			30 - 30"
7 - 7"			36 - 36"
MATERIAL	A	RADIUS	
		12 - 12"	
		24 - 24"	
		36 - 36"	

Legrand
8319 State Route 4
Mascoutah, IL 62258 USA
800-658-4641
618-566-3230
Fax 618-566-3250
www.legrand.us/cablofil