

UNDERGROUND DUCT SPACERS

2" – 8" (50mm – 200mm)

IPEX offers a wide range of conduit and duct spacers for concrete encased duct bank assemblies. Our spacers offer consistent operation, stability and relieve direct stress for duct materials.

VERTICAL-LOK SPACERS

IPEX's interlocking spacers provide uniform separation between the rows and columns of conduits and when assembled with conduit create a stable structure for the concrete. Spacers connect quickly and easily by sliding together horizontally and snapping together vertically and provide true customization for any configuration of duct bank. Superior features like the molded rebar slots for efficient drop-in installation of full length rebar and integral holes in base spacers for securing in place save time and effort.

Spacers are available in sizes to independently support 2", 3", 4", 5", 6" and 8" conduit and each size is offered a range of separation from 1" to 3".

MONOBLOC™ SPACERS

Monobloc spacers accommodate the specific dimensions of DB and EB duct and can be used as both a base spacer and an intermediate spacer for versatility. Monobloc spacers support DB/EB duct in sizes 2" – 5" and are available in a range of configurations that provide 1" to 3" separation between ducts. To minimize jobsite assembly these spacers are available as single, double, triple or quad run units (way). Any number of parallel conduit runs can be accommodated by combining Monobloc spacers (i.e. a 2-way and a 3-way create a 5-way).

Monobloc spacers are resilient at all temperatures, lightweight and easy to use. Readily available in 29 configurations, many with a molded-in rebar holder, these spacers are an economical choice for virtually any duct bank installation.

APPLICATIONS

- Underground duct banks
- Medical campus
- University campus

ADVANTAGES

- 1 Moulded Re-bar innovation**
These provide better alignment and more uniform distribution of re-bar in a duct bank, making duct bank installation even faster and easier.
- 2 Innovative design**
Twenty-six of the 29 different Monobloc spacers can be used interchangeably as either a base or intermediate unit.
- 3 Maximum flexibility**
Different sized Monobloc spacers can be easily grouped to create the required width of duct bank.
- 4 Tough and resilient**
Made of resilient, high-density polyethylene, our Monobloc spacers easily withstand inclement weather and severe conditions normally found on a construction site.
- 5 Integral holes offer base spacer fastening and stabilization.**



DID YOU KNOW?

You can lower both material and labour costs with the 4x3x3 Monobloc base spacer. By reducing concrete requirements one inch in duct bank encasements, this base spacer can save four cubic yards of concrete in a 500-foot long, 30-inch wide duct bank.

VERTICAL-LOK SPACERS

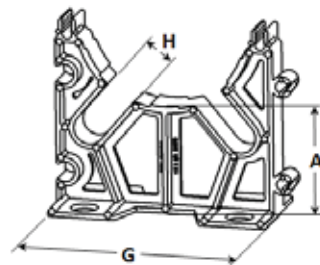
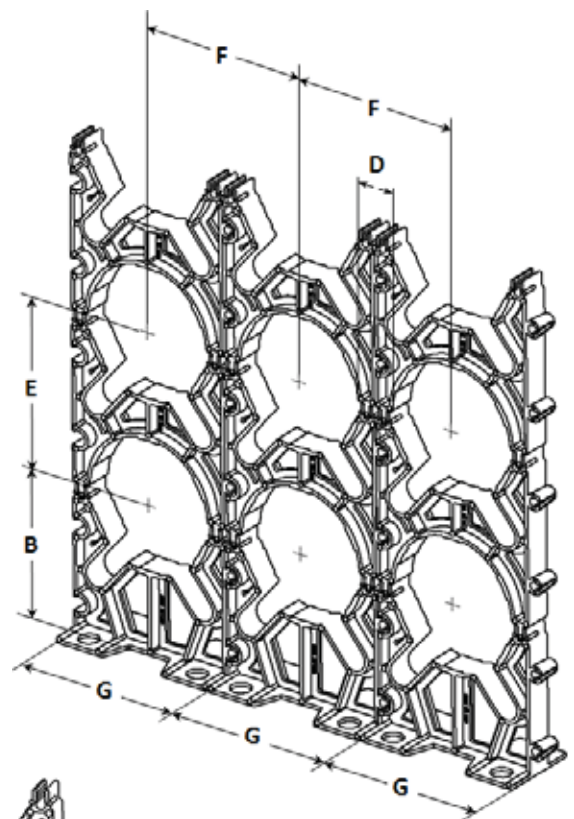
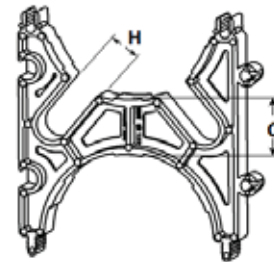
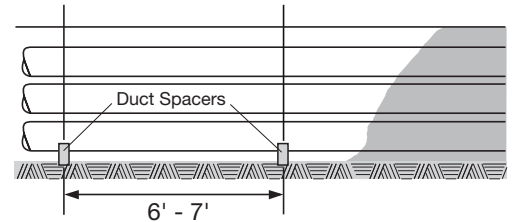
| Size (inches) | Part Number | Product Code | Dimensions (inches) | | | | | |
|--|-------------|--------------|---------------------|------|-------|-------|-------|------|
| | | | C | D | E | F | G | H |
| Intermediate Vertical-Lok Spacers | | | | | | | | |
| 2 x 1-1/2 | IS3530 | 029550 | 1.52 | 1.50 | 3.95 | 3.95 | 3.94 | 0.63 |
| 2 x 2 | IS3535 | 029551 | 2.03 | 2.06 | 4.48 | 4.48 | 4.47 | 0.63 |
| 2 x 3 | IS3545 | 029552 | 3.00 | 3.03 | 5.45 | 5.45 | 5.44 | 0.63 |
| 3 x 1-1/2 | IS4530 | 029582 | 1.50 | 1.45 | 5.15 | 5.12 | 5.12 | 0.88 |
| 3 x 2 | IS4535 | 029554 | 2.00 | 1.88 | 5.64 | 5.63 | 5.63 | 0.88 |
| 3 x 3 | IS4545 | 029555 | 3.00 | 2.88 | 6.66 | 6.63 | 6.63 | 0.88 |
| 4 x 1 | IS5520 | 029583 | 1.00 | 1.03 | 5.66 | 5.63 | 5.63 | 0.88 |
| 4 x 1-1/2 | IS5530 | 029557 | 1.50 | 1.39 | 6.13 | 6.14 | 6.13 | 0.88 |
| 4 x 2 | IS5535 | 029558 | 2.00 | 1.88 | 6.64 | 6.63 | 6.63 | 0.88 |
| 4 x 3 | IS5545 | 029559 | 3.00 | 2.90 | 7.64 | 7.64 | 7.63 | 0.88 |
| 5 x 1-1/2 | IS6030 | 029584 | 1.68 | 1.69 | 7.37 | 7.37 | 7.37 | 0.88 |
| 5 x 2 | IS6035 | 029561 | 2.25 | 2.15 | 7.89 | 7.89 | 7.88 | 0.88 |
| 5 x 3 | IS6045 | 029562 | 3.06 | 2.96 | 8.70 | 8.70 | 8.69 | 0.88 |
| 6 x 1-1/2 | IS6530 | 029563 | 1.50 | 1.38 | 8.24 | 8.22 | 8.21 | 0.88 |
| 6 x 2 | IS6535 | 029564 | 2.00 | 1.89 | 8.74 | 8.73 | 8.72 | 0.88 |
| 6 x 3 | IS6545 | 029565 | 3.00 | 2.90 | 9.77 | 9.77 | 9.75 | 0.88 |
| 8 x 2 | IS8035 | 029294 | 2.06 | 2.00 | 10.58 | 10.80 | 10.80 | * |

* Do not have rebar slots or base holes

| Size (inches) | Part Number | Product Code | Dimensions (inches) | | |
|----------------------------------|-------------|--------------|---------------------|------|------|
| | | | A | B | H |
| Base Vertical-Lok Spacers | | | | | |
| 2 x 1-1/2 | BS3530 | 029566 | 3.04 | 4.25 | 0.63 |
| 2 x 2 | BS3535 | 029567 | 3.04 | 4.25 | 0.63 |
| 2 x 3 | BS3545 | 029568 | 3.04 | 4.25 | 0.63 |
| 3 x 1-1/2 | BS4530 | 029585 | 3.00 | 5.84 | 0.88 |
| 3 x 2 | BS4535 | 029570 | 2.97 | 4.78 | 0.88 |
| 3 x 3 | BS4545 | 029571 | 3.00 | 4.81 | 0.88 |
| 4 x 1 | BS5520 | 029586 | 3.00 | 5.32 | 0.88 |
| 4 x 1-1/2 | BS5530 | 029573 | 3.00 | 5.31 | 0.88 |
| 4 x 2 | BS5535 | 029574 | 3.06 | 5.38 | 0.88 |
| 4 x 3 | BS5545 | 029575 | 3.06 | 5.38 | 0.88 |
| 5 x 1-1/2 | BS6030 | 029587 | 3.00 | 5.84 | 0.88 |
| 5 x 2 | BS6035 | 029577 | 3.13 | 5.94 | 0.88 |
| 5 x 3 | BS6045 | 029578 | 3.19 | 6.00 | 0.88 |
| 6 x 1-1/2 | BS6530 | 029579 | 3.02 | 6.38 | 0.88 |
| 6 x 2 | BS6535 | 029580 | 3.02 | 6.38 | 0.88 |
| 6 x 3 | BS6545 | 029581 | 3.00 | 6.38 | 0.88 |
| 8 x 2 | BS8035 | 029293 | 3.00 | 7.25 | * |

* Do not have rebar slots or base holes

RECOMMENDED DISTANCE: 6' - 7'



UNDERGROUND DUCT SPACERS

2" – 8" (50mm – 200mm)

IPEX offers a wide range of conduit and duct spacers for concrete encased duct bank assemblies. Our spacers offer consistent operation, stability and relieve direct stress for duct materials.

VERTICAL-LOK SPACERS

IPEX's interlocking spacers provide uniform separation between the rows and columns of conduits and when assembled with conduit create a stable structure for the concrete. Spacers connect quickly and easily by sliding together horizontally and snapping together vertically and provide true customization for any configuration of duct bank. Superior features like the molded rebar slots for efficient drop-in installation of full length rebar and integral holes in base spacers for securing in place save time and effort.

Spacers are available in sizes to independently support 2", 3", 4", 5", 6" and 8" conduit and each size is offered a range of separation from 1" to 3".

MONOBLOC™ SPACERS

Monobloc spacers accommodate the specific dimensions of DB and EB duct and can be used as both a base spacer and an intermediate spacer for versatility. Monobloc spacers support DB/EB duct in sizes 2" – 5" and are available in a range of configurations that provide 1" to 3" separation between ducts. To minimize jobsite assembly these spacers are available as single, double, triple or quad run units (way). Any number of parallel conduit runs can be accommodated by combining Monobloc spacers (i.e. a 2-way and a 3-way create a 5-way).

Monobloc spacers are resilient at all temperatures, lightweight and easy to use. Readily available in 29 configurations, many with a molded-in rebar holder, these spacers are an economical choice for virtually any duct bank installation.

APPLICATIONS

- Underground duct banks
- Medical campus
- University campus

ADVANTAGES

- 1 Moulded Re-bar innovation**
These provide better alignment and more uniform distribution of re-bar in a duct bank, making duct bank installation even faster and easier.
- 2 Innovative design**
Twenty-six of the 29 different Monobloc spacers can be used interchangeably as either a base or intermediate unit.
- 3 Maximum flexibility**
Different sized Monobloc spacers can be easily grouped to create the required width of duct bank.
- 4 Tough and resilient**
Made of resilient, high-density polyethylene, our Monobloc spacers easily withstand inclement weather and severe conditions normally found on a construction site.
- 5 Integral holes offer base spacer fastening and stabilization.**



DID YOU KNOW?

You can lower both material and labour costs with the 4x3x3 Monobloc base spacer. By reducing concrete requirements one inch in duct bank encasements, this base spacer can save four cubic yards of concrete in a 500-foot long, 30-inch wide duct bank.

VERTICAL-LOK SPACERS

| Size (inches) | Part Number | Product Code | Dimensions (inches) | | | | | |
|--|-------------|--------------|---------------------|------|-------|-------|-------|------|
| | | | C | D | E | F | G | H |
| Intermediate Vertical-Lok Spacers | | | | | | | | |
| 2 x 1-1/2 | IS3530 | 029550 | 1.52 | 1.50 | 3.95 | 3.95 | 3.94 | 0.63 |
| 2 x 2 | IS3535 | 029551 | 2.03 | 2.06 | 4.48 | 4.48 | 4.47 | 0.63 |
| 2 x 3 | IS3545 | 029552 | 3.00 | 3.03 | 5.45 | 5.45 | 5.44 | 0.63 |
| 3 x 1-1/2 | IS4530 | 029582 | 1.50 | 1.45 | 5.15 | 5.12 | 5.12 | 0.88 |
| 3 x 2 | IS4535 | 029554 | 2.00 | 1.88 | 5.64 | 5.63 | 5.63 | 0.88 |
| 3 x 3 | IS4545 | 029555 | 3.00 | 2.88 | 6.66 | 6.63 | 6.63 | 0.88 |
| 4 x 1 | IS5520 | 029583 | 1.00 | 1.03 | 5.66 | 5.63 | 5.63 | 0.88 |
| 4 x 1-1/2 | IS5530 | 029557 | 1.50 | 1.39 | 6.13 | 6.14 | 6.13 | 0.88 |
| 4 x 2 | IS5535 | 029558 | 2.00 | 1.88 | 6.64 | 6.63 | 6.63 | 0.88 |
| 4 x 3 | IS5545 | 029559 | 3.00 | 2.90 | 7.64 | 7.64 | 7.63 | 0.88 |
| 5 x 1-1/2 | IS6030 | 029584 | 1.68 | 1.69 | 7.37 | 7.37 | 7.37 | 0.88 |
| 5 x 2 | IS6035 | 029561 | 2.25 | 2.15 | 7.89 | 7.89 | 7.88 | 0.88 |
| 5 x 3 | IS6045 | 029562 | 3.06 | 2.96 | 8.70 | 8.70 | 8.69 | 0.88 |
| 6 x 1-1/2 | IS6530 | 029563 | 1.50 | 1.38 | 8.24 | 8.22 | 8.21 | 0.88 |
| 6 x 2 | IS6535 | 029564 | 2.00 | 1.89 | 8.74 | 8.73 | 8.72 | 0.88 |
| 6 x 3 | IS6545 | 029565 | 3.00 | 2.90 | 9.77 | 9.77 | 9.75 | 0.88 |
| 8 x 2 | IS8035 | 029294 | 2.06 | 2.00 | 10.58 | 10.80 | 10.80 | * |

* Do not have rebar slots or base holes

| Size (inches) | Part Number | Product Code | Dimensions (inches) | | |
|----------------------------------|-------------|--------------|---------------------|------|------|
| | | | A | B | H |
| Base Vertical-Lok Spacers | | | | | |
| 2 x 1-1/2 | BS3530 | 029566 | 3.04 | 4.25 | 0.63 |
| 2 x 2 | BS3535 | 029567 | 3.04 | 4.25 | 0.63 |
| 2 x 3 | BS3545 | 029568 | 3.04 | 4.25 | 0.63 |
| 3 x 1-1/2 | BS4530 | 029585 | 3.00 | 5.84 | 0.88 |
| 3 x 2 | BS4535 | 029570 | 2.97 | 4.78 | 0.88 |
| 3 x 3 | BS4545 | 029571 | 3.00 | 4.81 | 0.88 |
| 4 x 1 | BS5520 | 029586 | 3.00 | 5.32 | 0.88 |
| 4 x 1-1/2 | BS5530 | 029573 | 3.00 | 5.31 | 0.88 |
| 4 x 2 | BS5535 | 029574 | 3.06 | 5.38 | 0.88 |
| 4 x 3 | BS5545 | 029575 | 3.06 | 5.38 | 0.88 |
| 5 x 1-1/2 | BS6030 | 029587 | 3.00 | 5.84 | 0.88 |
| 5 x 2 | BS6035 | 029577 | 3.13 | 5.94 | 0.88 |
| 5 x 3 | BS6045 | 029578 | 3.19 | 6.00 | 0.88 |
| 6 x 1-1/2 | BS6530 | 029579 | 3.02 | 6.38 | 0.88 |
| 6 x 2 | BS6535 | 029580 | 3.02 | 6.38 | 0.88 |
| 6 x 3 | BS6545 | 029581 | 3.00 | 6.38 | 0.88 |
| 8 x 2 | BS8035 | 029293 | 3.00 | 7.25 | * |

* Do not have rebar slots or base holes

RECOMMENDED DISTANCE: 6' - 7'

