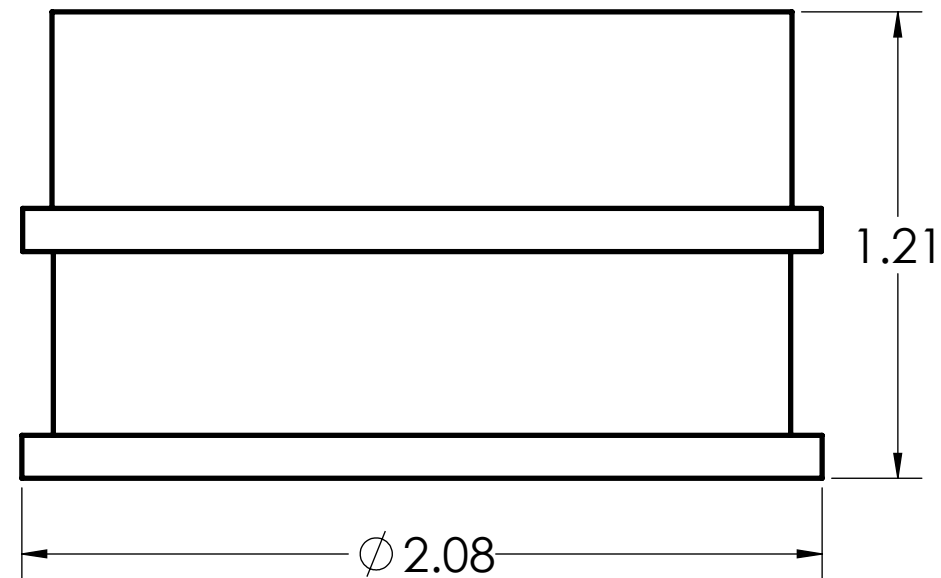
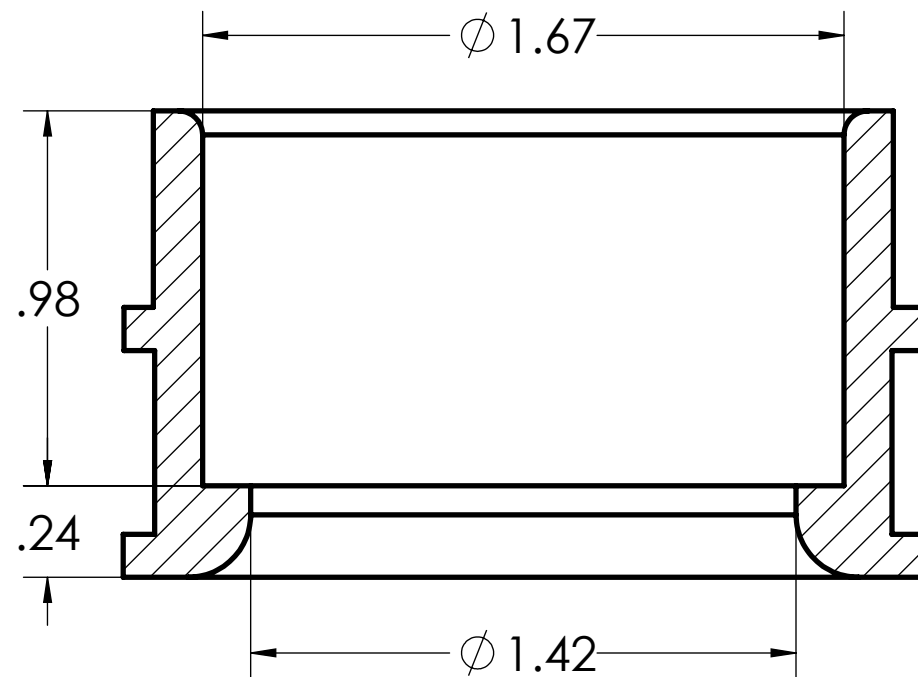
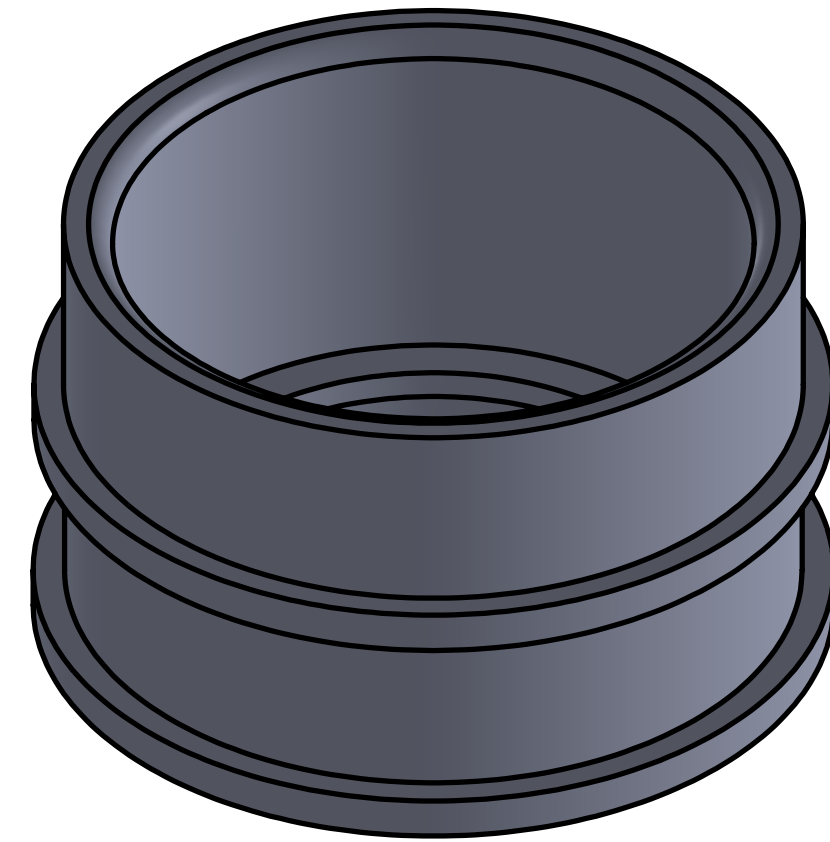
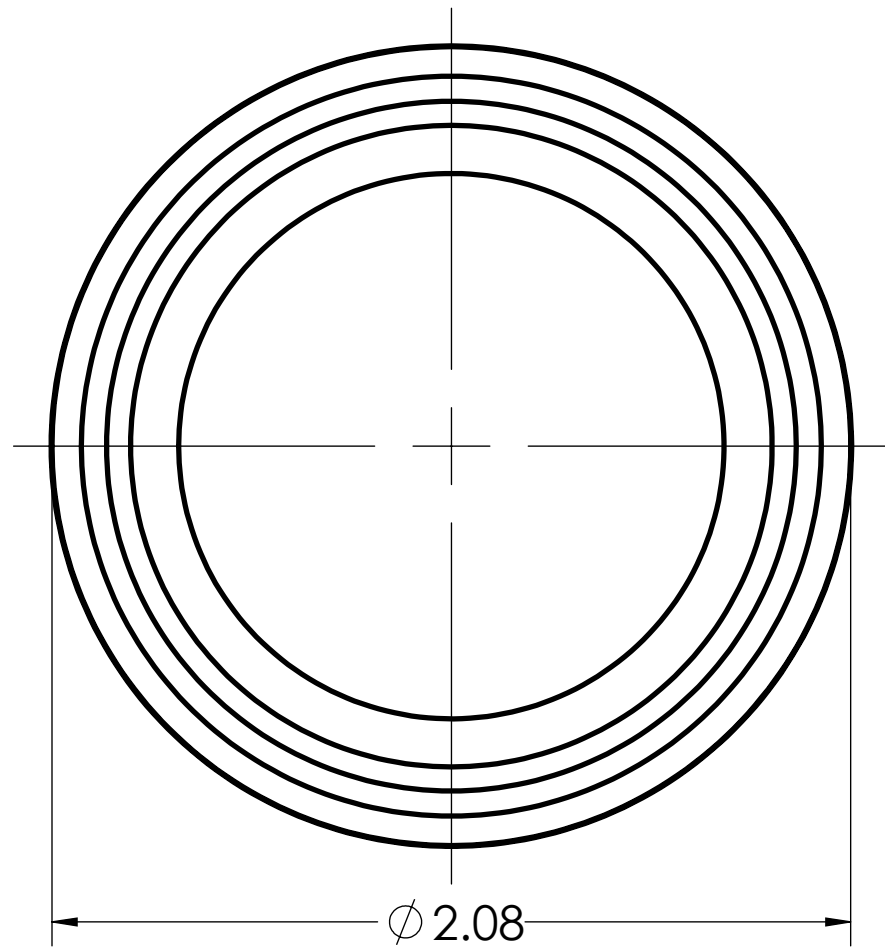


DIMENSIONS SHOWN ARE FOR REFERENCE AND ARE SUBJECT TO CHANGE WITHOUT NOTICE		
IPEX Technologies Inc.		
PART DESCRIPTION EB25 1 1/4" PVC MLD END BELL SOC SOCKET MLD SCEPTER		
PRODUCT CODE: 077324	UNIT: INCHES UNLESS DUAL DIMENSION: INCH [METRIC]	SCALE: NTS
DRAWN:	A.R.	



DIMENSIONS SHOWN ARE FOR REFERENCE AND ARE SUBJECT TO CHANGE WITHOUT NOTICE		
IPEX Technologies Inc.		
PART DESCRIPTION EB25 1 1/4" PVC MLD END BELL SOC SOCKET MLD SCEPTER		
PRODUCT CODE: 077324	UNIT: INCHES UNLESS DUAL DIMENSION: INCH [METRIC]	SCALE: NTS
DRAWN:	A.R.	