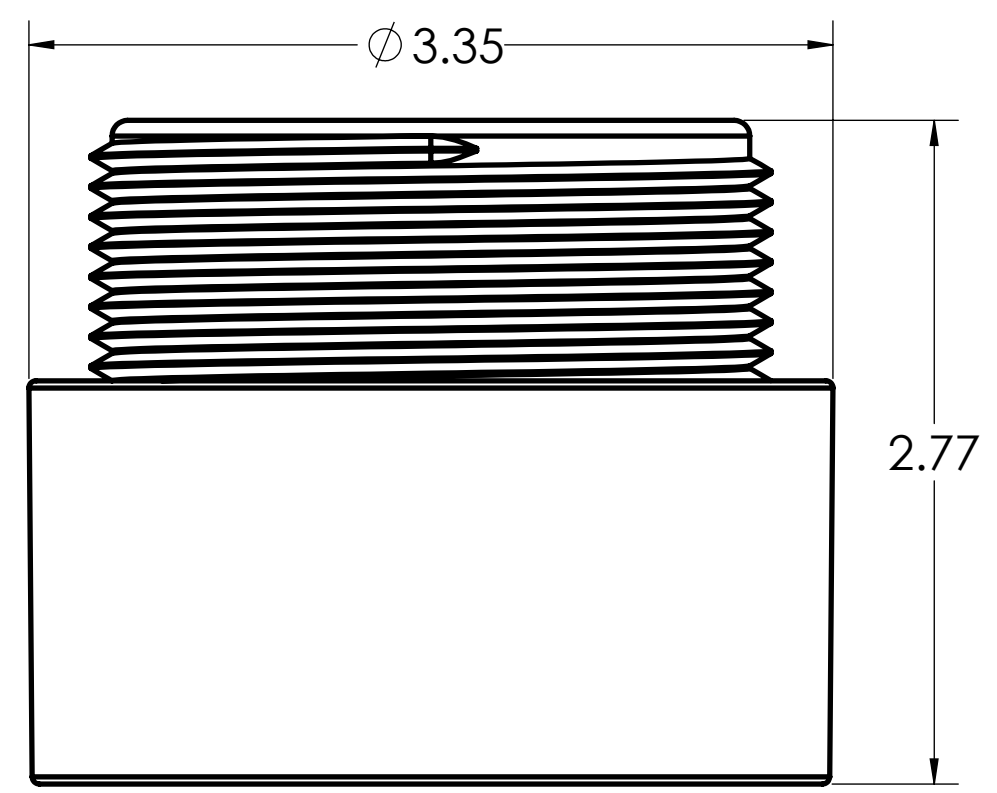
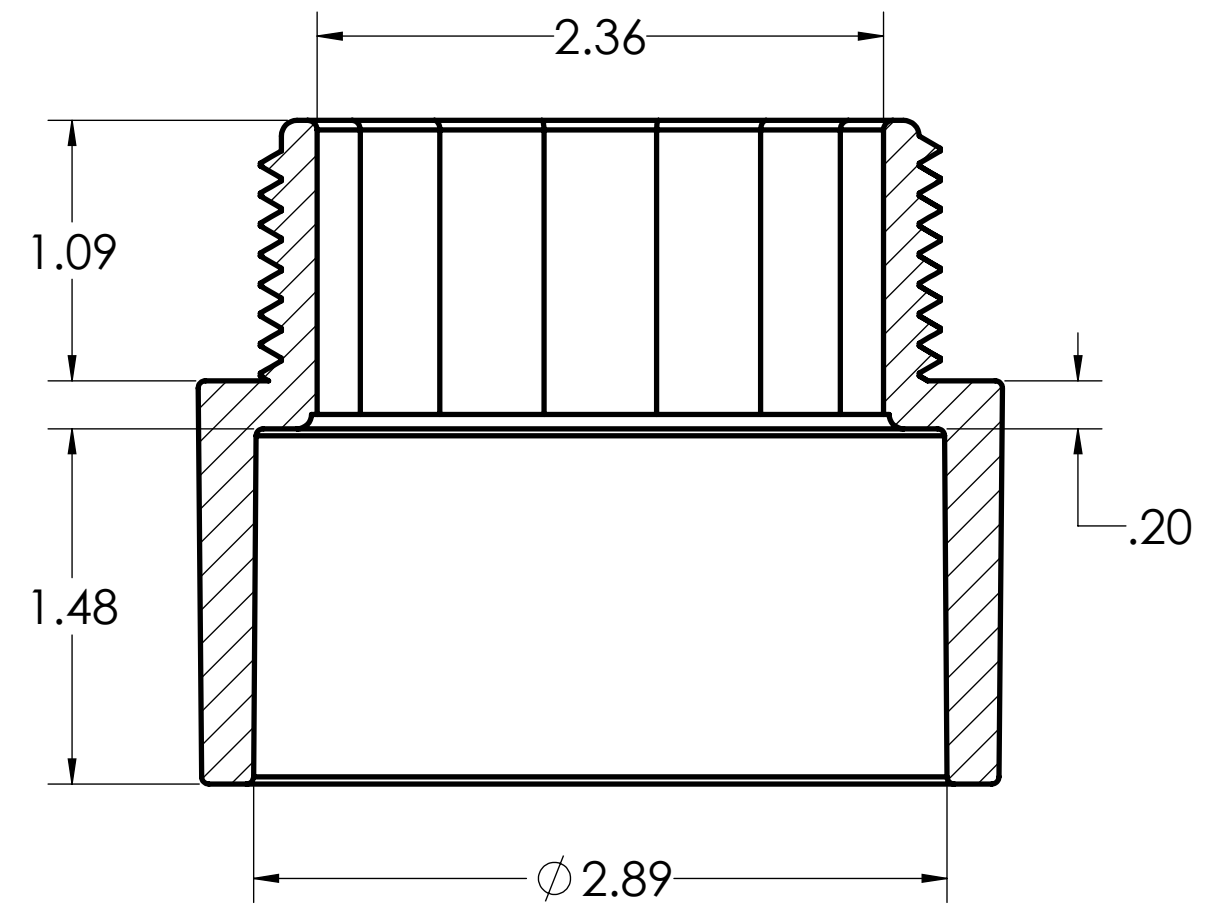
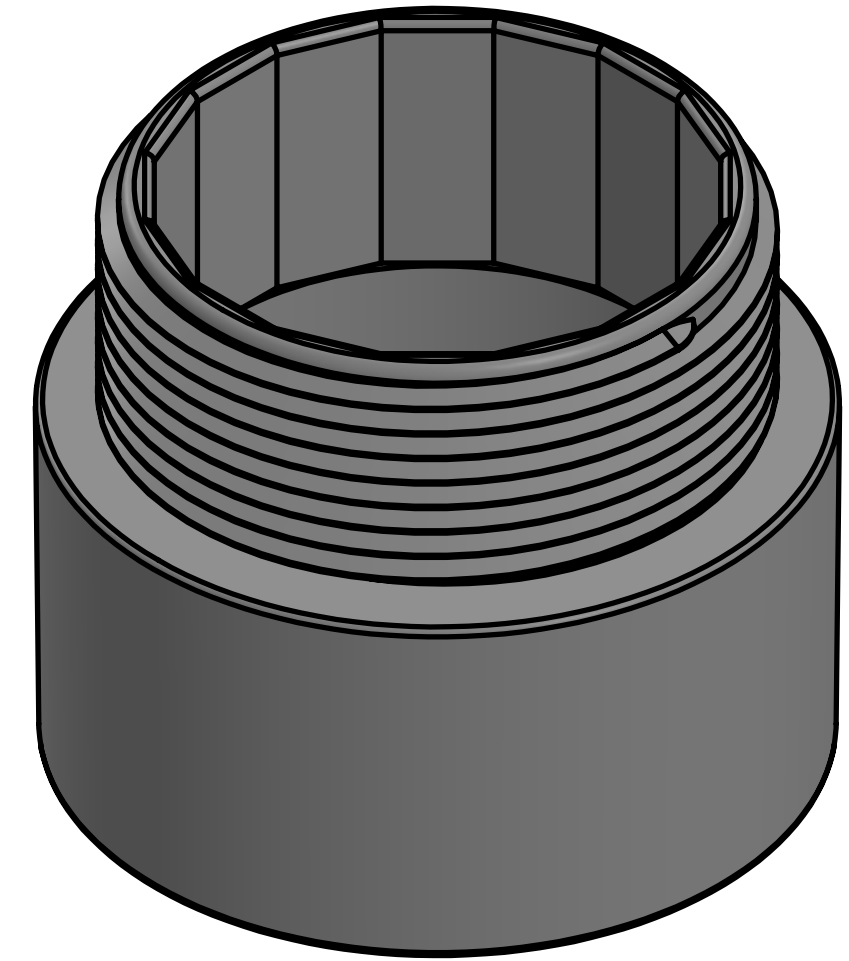
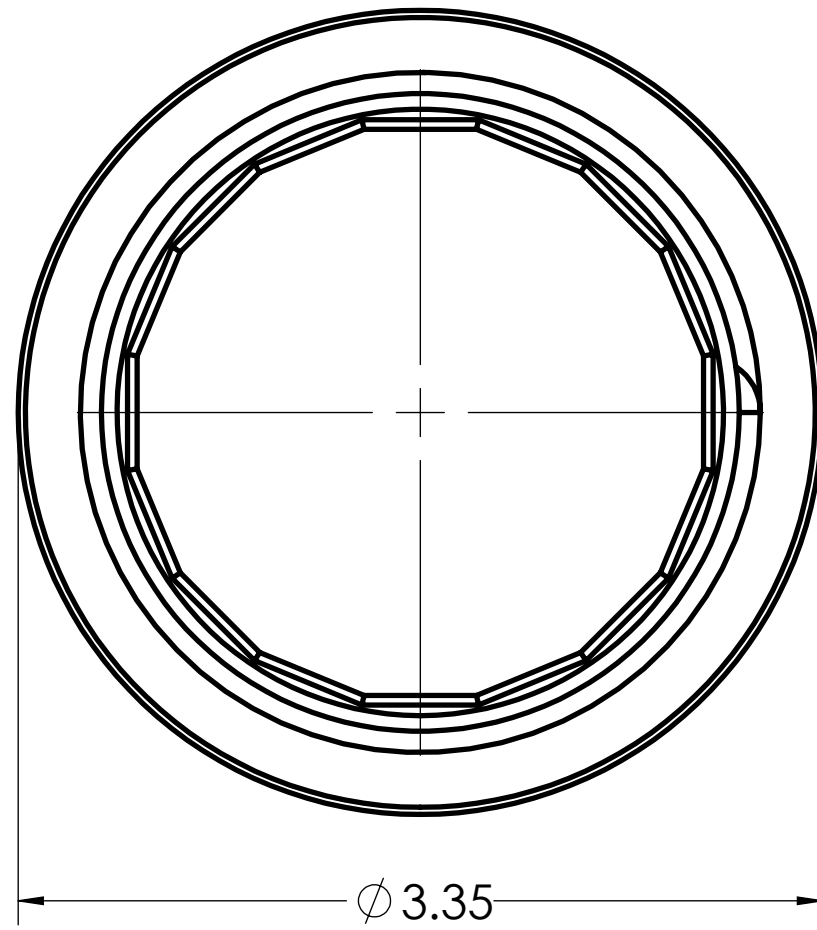


DIMENSIONS SHOWN ARE FOR REFERENCE AND ARE SUBJECT TO CHANGE WITHOUT NOTICE		
Kraloy, a Division of Multi Fittings Corp. under license		
PART DESCRIPTION TA25 2 1/2" PVC TERMINAL ADPT KRALOY		
PRODUCT CODE: 078090	UNIT: INCHES UNLESS DUAL DIMENSION: INCH [METRIC]	SCALE: NTS
DRAWN:	K.D.	



DIMENSIONS SHOWN ARE FOR REFERENCE AND ARE SUBJECT TO CHANGE WITHOUT NOTICE		
Kraloy, a Division of Multi Fittings Corp. under license		
PART DESCRIPTION TA25 2 1/2" PVC TERMINAL ADPT KRALOY		
PRODUCT CODE: 078090	UNIT: INCHES UNLESS DUAL DIMENSION: INCH [METRIC]	SCALE: NTS
DRAWN:	K.D.	