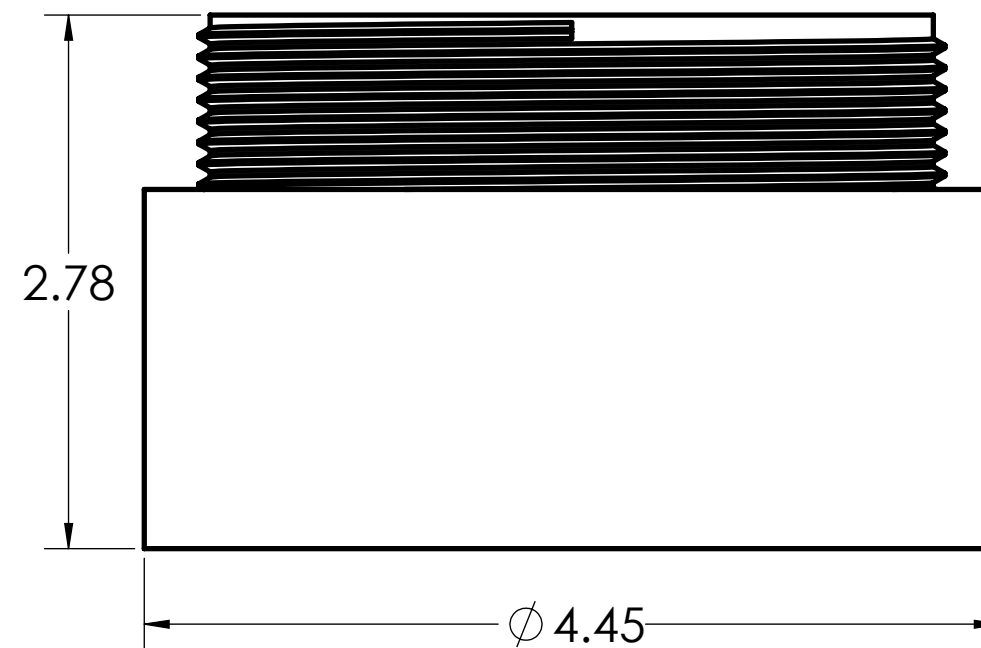
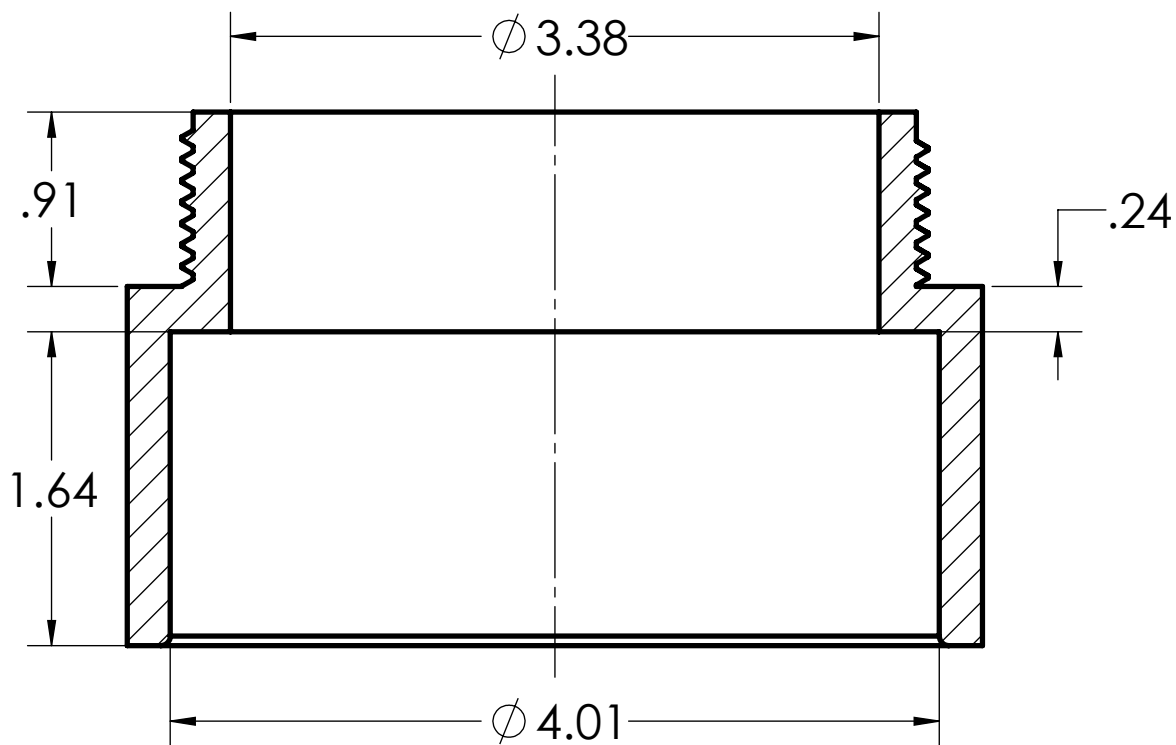
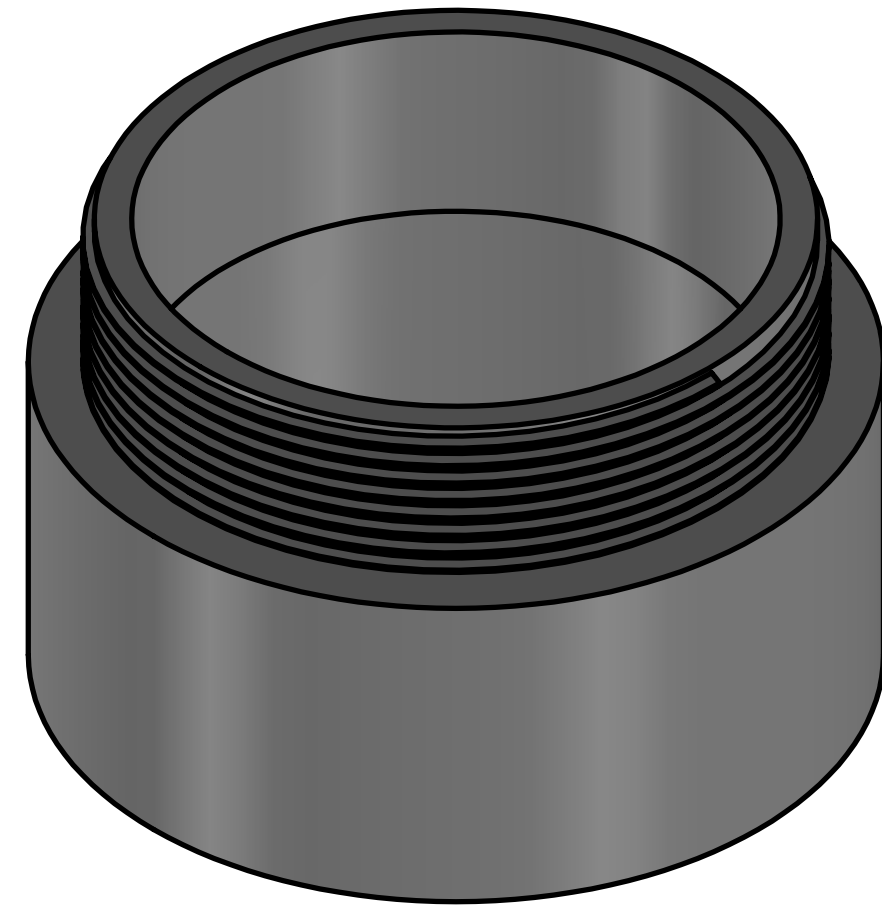
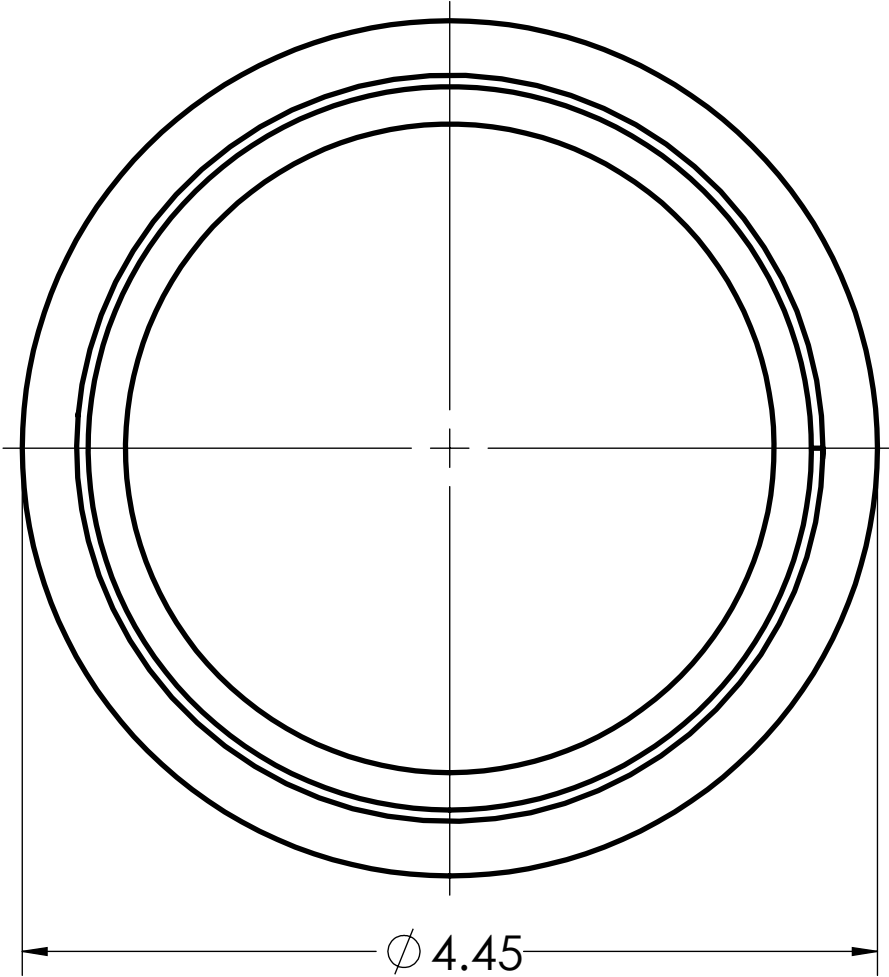


DIMENSIONS SHOWN ARE FOR REFERENCE AND ARE SUBJECT TO CHANGE WITHOUT NOTICE		
<b>Kraloy, a Division of Multi Fittings Corp.</b> under license		
PART DESCRIPTION TA35 3 1/2" PVC TERMINAL ADPT KRALOY		
PRODUCT CODE: 078092	UNIT: INCHES UNLESS DUAL DIMENSION: INCH [METRIC]	SCALE: NTS
DRAWN:	T.Q.	



DIMENSIONS SHOWN ARE FOR REFERENCE AND ARE SUBJECT TO CHANGE WITHOUT NOTICE		
<b>Kraloy, a Division of Multi Fittings Corp.</b> under license		
PART DESCRIPTION TA35 3 1/2" PVC TERMINAL ADPT KRALOY		
PRODUCT CODE: 078092	UNIT: INCHES UNLESS DUAL DIMENSION: INCH [METRIC]	SCALE: NTS
DRAWN:	T.Q.	