

CSA, ULI

RIGID PVC CONDUIT FITTINGS - KRALOY

TYPE "LB" ACCESS FITTINGS

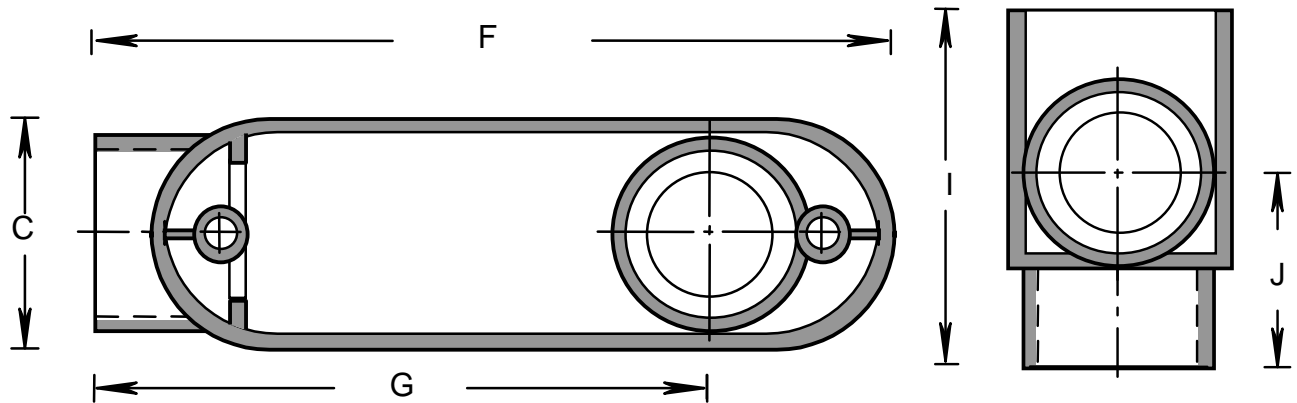
ISSUE DATE:

DATE D'EMISSION: 2004 04 30

SUPERCEDES:

REPLACE: 2003 11 15

5



PRODUCT CODE	PART NUMBER	NOMINAL SIZE		C		F		G		I		J	
		(in)	(mm)	(in)	(mm)	(in)	(mm)	(in)	(mm)	(in)	(mm)	(in)	(mm)
078140	LB05	1/2	16	1.312	33	4.285	109	3.290	84	2.058	52	1.175	30
078141	LB07	3/4	21	1.500	38	4.970	126	3.980	101	2.295	58	1.375	35
078142	LB10	1	27	1.750	44	5.900	150	4.656	118	2.853	72	1.665	42
078143	LB12	1 1/4	35	2.450	62	7.650	194	6.060	154	3.269	83	1.910	49
078144	LB15	1 1/2	41	2.468	63	7.812	198	6.180	157	3.547	90	2.187	56
078145	LB20	2	53	3.062	78	9.970	253	8.055	205	4.516	115	2.500	64
078146	LB25	2 1/2	63	4.500	114	13.630	346	9.825	277	6.240	159	4.150	105
078147	LB30	3	78	4.500	114	13.630	346	10.900	277	6.240	159	3.630	92
078148	LB35	3 1/2	91	5.540	141	16.000	406	11.465	291	7.500	191	4.525	115
078149	LB40	4	103	5.540	141	16.000	406	11.465	291	7.500	191	4.525	115
178038*	LB05	1/2	16	1.312	33	4.285	109	3.290	84	2.058	52	1.175	30
178039*	LB07	3/4	21	1.500	38	4.970	126	3.980	101	2.295	58	1.375	35
178040*	LB10	1	27	1.750	44	5.900	150	4.656	118	2.853	72	1.665	42
178041*	LB12	1 1/4	35	2.450	62	7.650	194	6.060	154	3.269	83	1.910	49
178042*	LB15	1 1/2	41	2.468	63	7.812	198	6.180	157	3.547	90	2.187	56
178043*	LB20	2	53	3.062	78	9.970	253	8.055	205	4.516	115	2.500	64
178117*	LB25	2 1/2	63	4.500	114	13.630	346	9.825	277	6.240	159	4.150	105

* Bulk packed for 075

CSA, ULI

RIGID PVC CONDUIT FITTINGS - KRALOY

TYPE "LB" ACCESS FITTINGS

ISSUE DATE:
DATE D'EMISSION: 2004 04 30

SUPERCEDES:
REPLACE: 2003 11 15

5

PRODUCT CODE	PART NUMBER	NOMINAL SIZE		FILL VOLUME		INSERT CODE	SCREW CODE	REDUCER CODE	COVER CODE	GASKET CODE
		(in)	(mm)	(cu.in)	(cu.cm)					
078140	LB05	1/2	16	4.3	71		072563		093106	072421
078141	LB07	3/4	21	6.8	111		072564		093107	072422
078142	LB10	1	27	11	180		072564		093108	072735
078143	LB12	1 1/4	35	28	459		072564		093109	072736
078144	LB15	1 1/2	41	28	459		072564		093110	072736
078145	LB20	2	53	66	1082		072412		093111	072738
078146	LB25	2 1/2	63	182	29767	072549	072516	097558	097957	097961
078147	LB30	3	78	178	2923	072549	072516		097956	097961
078148	LB35	3 1/2	91	339	5553	072549	072516	097991	097958	097963
078149	LB40	4	103	339	5553	072549	072516		097958	097963
178038*	LB05	1/2	16	4.3	71		072563		093106	072421
178039*	LB07	3/4	21	6.8	111		072564		093107	072422
178040*	LB10	1	27	11	180		072564		093108	072735
178041*	LB12	1 1/4	35	28	459		072564		093109	072736
178042*	LB15	1 1/2	41	28	459		072564		093110	072736
178043*	LB20	2	53	66	1082		072412		093111	072738
178117*	LB25	2 1/2	63	182	29767	072549	072516	097558	097957	097961

* Bulk packed for 075

MAXIMUM WIRE FILL

1/2" + 3/4" + 1"		1 1/4"	1 1/2"	2"	2 1/2"	3"	3 1/2"	4"
(12 + 21 + 27)		(35)	(41)	(53)	(63)	(78)	(91)	(103)
MAX. WIRE FILL #6 AWG CONDUCTORS OR SMALLER FOR 1": PULLING COMPOUND REQUIRED FOR #4 AWG	U	4.500" (114.3)	5.000" (127.0)	5.880" (149.4)	5.750" (146.1)	8.940" (227.1)	8.940" (227.1)	7.940" (201.7)
	M D	#2 4.819 (122.4)	#0 5.500" (139.7)	#4 /0 6.567" (166.8)	#4 /0 6.250" (158.8)	#350 9.500" (241.3)	#350 9.500" (241.3)	#350 9.500" (241.3)

U UL514 INVESTIGATION OF CONDUIT BODIES FOR THREE CONDUCTOR INSTALLATION WITH NO INVESTIGATION

M MAXIMUM WIRE FILL MARKED ON CONDUIT BODY

D DISTANCE BETWEEN HUBS ON CONDUIT BODY

Filename: KRALOY-06.doc
Directory: \\Bersrvbdc\bergen\QC MANUAL
Template: C:\Documents and Settings\joelau\Application
Data\Microsoft\Templates\Normal.dot
Title: SOCKET DIMENSION
Subject:
Author: joe lau
Keywords:
Comments:
Creation Date: 12/22/2000 9:28 AM
Change Number: 17
Last Saved On: 3/31/2004 10:58 AM
Last Saved By: Joe Lau
Total Editing Time: 42 Minutes
Last Printed On: 8/8/2005 12:38 PM
As of Last Complete Printing
Number of Pages: 2
Number of Words: 462 (approx.)
Number of Characters: 2,634 (approx.)

CSA, ULI

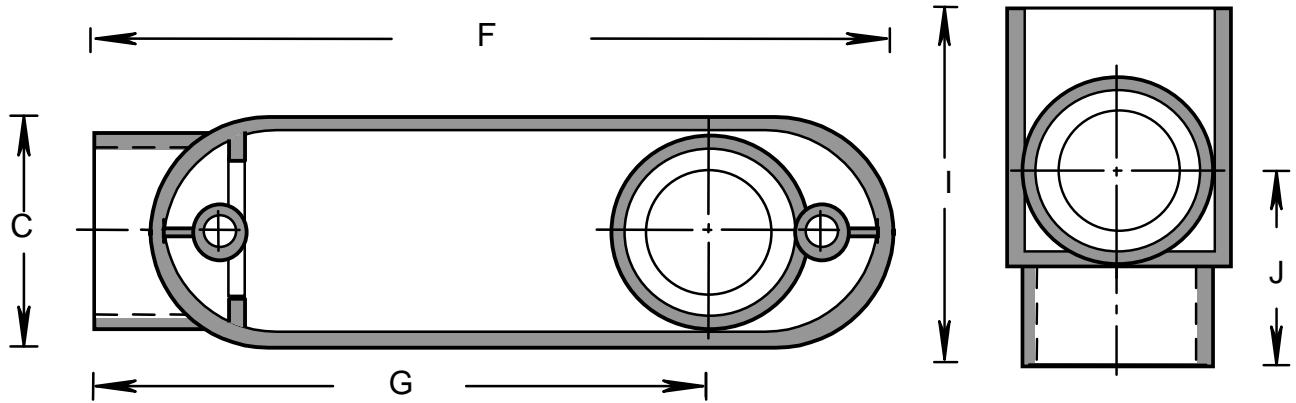
RIGID PVC CONDUIT FITTINGS - KRALOY

TYPE "LB" ACCESS FITTINGS

ISSUE DATE:
DATE D'EMISSION: 2004 04 30

SUPERCEDES:
REPLACE: 2003 11 15

5



PRODUCT CODE	PART NUMBER	NOMINAL SIZE		C		F		G		I		J	
		(in)	(mm)	(in)	(mm)	(in)	(mm)	(in)	(mm)	(in)	(mm)	(in)	(mm)
078140	LB05	1/2	16	1.312	33	4.285	109	3.290	84	2.058	52	1.175	30
078141	LB07	3/4	21	1.500	38	4.970	126	3.980	101	2.295	58	1.375	35
078142	LB10	1	27	1.750	44	5.900	150	4.656	118	2.853	72	1.665	42
078143	LB12	1 1/4	35	2.450	62	7.650	194	6.060	154	3.269	83	1.910	49
078144	LB15	1 1/2	41	2.468	63	7.812	198	6.180	157	3.547	90	2.187	56
078145	LB20	2	53	3.062	78	9.970	253	8.055	205	4.516	115	2.500	64
078146	LB25	2 1/2	63	4.500	114	13.630	346	9.825	277	6.240	159	4.150	105
078147	LB30	3	78	4.500	114	13.630	346	10.900	277	6.240	159	3.630	92
078148	LB35	3 1/2	91	5.540	141	16.000	406	11.465	291	7.500	191	4.525	115
078149	LB40	4	103	5.540	141	16.000	406	11.465	291	7.500	191	4.525	115
178038*	LB05	1/2	16	1.312	33	4.285	109	3.290	84	2.058	52	1.175	30
178039*	LB07	3/4	21	1.500	38	4.970	126	3.980	101	2.295	58	1.375	35
178040*	LB10	1	27	1.750	44	5.900	150	4.656	118	2.853	72	1.665	42
178041*	LB12	1 1/4	35	2.450	62	7.650	194	6.060	154	3.269	83	1.910	49
178042*	LB15	1 1/2	41	2.468	63	7.812	198	6.180	157	3.547	90	2.187	56
178043*	LB20	2	53	3.062	78	9.970	253	8.055	205	4.516	115	2.500	64
178117*	LB25	2 1/2	63	4.500	114	13.630	346	9.825	277	6.240	159	4.150	105

* Bulk packed for 075

CSA, ULI

RIGID PVC CONDUIT FITTINGS - KRALOY

TYPE "LB" ACCESS FITTINGS

ISSUE DATE:
DATE D'EMISSION: 2004 04 30

SUPERCEDES:
REPLACE: 2003 11 15

5

PRODUCT CODE	PART NUMBER	NOMINAL SIZE		FILL VOLUME		INSERT CODE	SCREW CODE	REDUCER CODE	COVER CODE	GASKET CODE
		(in)	(mm)	(cu.in)	(cu.cm)					
078140	LB05	1/2	16	4.3	71		072563		093106	072421
078141	LB07	3/4	21	6.8	111		072564		093107	072422
078142	LB10	1	27	11	180		072564		093108	072735
078143	LB12	1 1/4	35	28	459		072564		093109	072736
078144	LB15	1 1/2	41	28	459		072564		093110	072736
078145	LB20	2	53	66	1082		072412		093111	072738
078146	LB25	2 1/2	63	182	29767	072549	072516	097558	097957	097961
078147	LB30	3	78	178	2923	072549	072516		097956	097961
078148	LB35	3 1/2	91	339	5553	072549	072516	097991	097958	097963
078149	LB40	4	103	339	5553	072549	072516		097958	097963
178038*	LB05	1/2	16	4.3	71		072563		093106	072421
178039*	LB07	3/4	21	6.8	111		072564		093107	072422
178040*	LB10	1	27	11	180		072564		093108	072735
178041*	LB12	1 1/4	35	28	459		072564		093109	072736
178042*	LB15	1 1/2	41	28	459		072564		093110	072736
178043*	LB20	2	53	66	1082		072412		093111	072738
178117*	LB25	2 1/2	63	182	29767	072549	072516	097558	097957	097961

* Bulk packed for 075

MAXIMUM WIRE FILL

1/2" + 3/4" + 1" (12 + 21 + 27)		1 1/4" (35)	1 1/2" (41)	2" (53)	2 1/2" (63)	3" (78)	3 1/2" (91)	4" (103)
MAX. WIRE FILL #6 AWG CONDUCTORS OR SMALLER FOR 1": PULLING COMPOUND REQUIRED FOR #4 AWG	U	4.500" (114.3)	5.000" (127.0)	5.880" (149.4)	5.750" (146.1)	8.940" (227.1)	8.940" (227.1)	7.940" (201.7)
	M D	#2 4.819 (122.4)	#0 5.500" (139.7)	#4 /0 6.567" (166.8)	#4 /0 6.250" (158.8)	#350 9.500" (241.3)	#350 9.500" (241.3)	#350 9.500" (241.3)

U UL514 INVESTIGATION OF CONDUIT BODIES FOR THREE CONDUCTOR INSTALLATION WITH NO INVESTIGATION

M MAXIMUM WIRE FILL MARKED ON CONDUIT BODY

D DISTANCE BETWEEN HUBS ON CONDUIT BODY

Filename: KRALOY-06.doc
Directory: \\Bersrvbdc\bergen\QC MANUAL
Template: C:\Documents and Settings\joelau\Application
Data\Microsoft\Templates\Normal.dot
Title: SOCKET DIMENSION
Subject:
Author: joe lau
Keywords:
Comments:
Creation Date: 12/22/2000 9:28 AM
Change Number: 17
Last Saved On: 3/31/2004 10:58 AM
Last Saved By: Joe Lau
Total Editing Time: 42 Minutes
Last Printed On: 8/8/2005 12:38 PM
As of Last Complete Printing
Number of Pages: 2
Number of Words: 462 (approx.)
Number of Characters: 2,634 (approx.)