

CSA, ULI

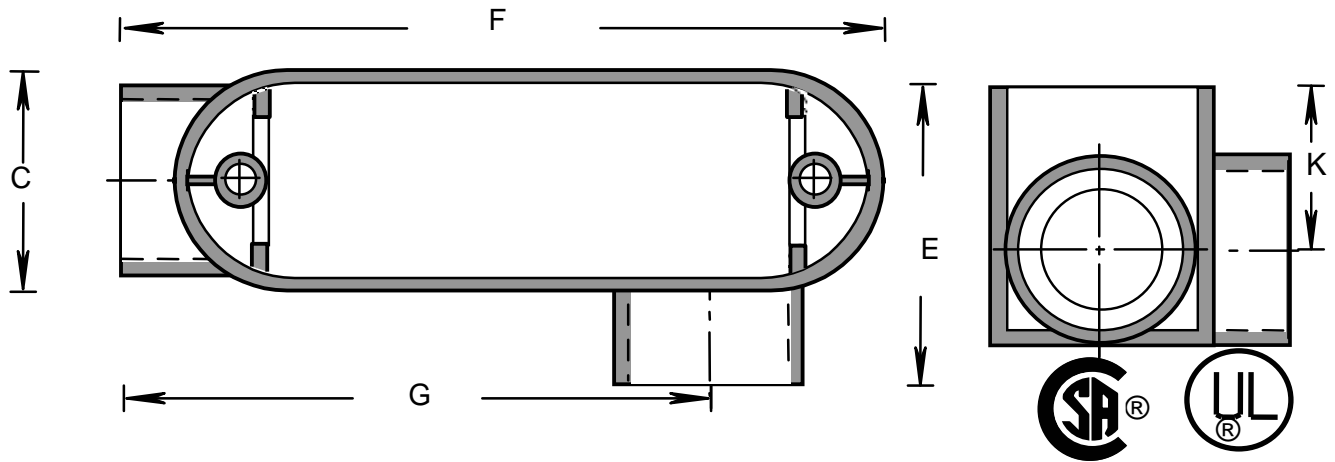
RIGID PVC CONDUIT FITTINGS - KRALOY

ISSUE DATE:
DATE D'EMISSION: 2004 05 15

TYPE "LL" ACCESS FITTINGS

SUPERCEDES:
REPLACE: 2001 06 30

2



PRODUCT CODE	PART NUMBER	NOMINAL SIZE		C		E		F		G	
		(in)	(mm)	(in)	(mm)	(in)	(mm)	(in)	(mm)	(in)	(mm)
078152	LL05	1/2	16	1.312	33	1.898	48	4.285	109	3.290	84
078153	LL07	3/4	21	1.500	38	2.204	56	4.970	126	3.980	101
078154	LL10	1	27	1.750	44	2.635	67	5.900	150	4.656	118
078155	LL12	1 1/4	35	2.450	62	3.246	82	7.650	194	6.060	154
078156	LL15	1 1/2	41	2.468	63	3.546	90	7.812	198	6.180	157
078157	LL20	2	53	3.062	78	4.176	106	9.970	253	8.055	205
078158	LL25	2 1/2	63	4.625	117	5.886	150	13.750	349	11.843	301
078159	LL30	3	78	4.625	117	5.918	150	14.250	362	11.843	301
078160	LL35	3 1/2	91	5.445	138	7.178	182	15.500	394	12.750	324
078161	LL40	4	103	5.445	138	7.178	182	15.500	394	12.750	324
178149*	LL05	1/2	16	1.312	33	1.898	48	4.285	109	3.290	84
178150*	LL07	3/4	21	1.500	38	2.204	56	4.970	126	3.980	101
178151*	LL10	1	27	1.750	44	2.635	67	5.900	150	4.656	118

PRODUCT CODE	PART NUMBER	NOMINAL SIZE		K	
		(in)	(mm)	(in)	(mm)
078152	LL05	1/2	16	0.883	22
078153	LL07	3/4	21	0.920	23
078154	LL10	1	27	1.188	30
078155	LL12	1 1/4	35	1.359	35
078156	LL15	1 1/2	41	1.360	35
078157	LL20	2	53	2.016	51
078158	LL25	2 1/2	63	2.451	62
078159	LL30	3	78	2.451	62
078160	LL35	3 1/2	91	2.891	73
078161	LL40	4	103	2.891	73
178149*	LL05	1/2	16	0.883	22
178150*	LL07	3/4	21	0.920	23
178151*	LL10	1	27	1.188	30

CSA, ULI

RIGID PVC CONDUIT FITTINGS - KRALOY

ISSUE DATE:
DATE D'EMISSION: 2004 05 15

TYPE "LL" ACCESS FITTINGS

SUPERCEDES:
REPLACE: 2001 06 30

2

PRODUCT CODE	PART NUMBER	NOMINAL SIZE		FILL VOLUME		INSERT CODE	SCREW CODE	REDUCER CODE	COVER CODE	GASKET CODE
		(in)	(mm)	(cu.in)	(cu.cm)					
078152	LL05	1/2	16	4.2	68.9		072563		093106	072421
078153	LL07	3/4	21	7.6	124.6		072564		093107	072422
078154	LL10	1	27	13.1	214.8		072564		093108	072735
078155	LL12	1 1/4	35	26.6	436.2		072564		093109	072736
078156	LL15	1 1/2	41	39.0	639.6		072564		093110	072736
078157	LL20	2	53	70.9	1162.8		072412		093111	072738
078158	LL25	2 1/2	63	178.2	2922.5	072419	072420	097558	093112	072739
078159	LL30	3	78	178.2	2922.5	072419	072420		093113	072739
078160	LL35	3 1/2	91	338.6	5553.0	072419	072420	097991	093113	072740
078161	LL40	4	103	338.6	5553.0	072419	072420		093114	072740
178149*	LL05	1/2	16	4.2	68.9		072563		093106	072421
178150*	LL07	3/4	21	7.6	124.6		072564		093107	072422
178151*	LL10	1	27	13.1	214.8		072564		093108	072735

* Bulk Packed for Pacific Circle

MAXIMUM WIRE FILL

1/2" + 3/4" + 1 " (12 + 21 + 27)		1 1/4 " (35)	1 1/2 " (41)	2 " (53)	2 1/2 " (63)	3 " (78)	3 1/2 " (91)	4 " (103)
MAX. WIRE FILL #6 AWG CONDUCTORS OR SMALLER FOR 1": PULLING COMPOUND REQUIRED FOR #4 AWG	U	2.720" (69.1)	4.480" (113.8)	5.750" (146.1)	7.420" (188.5)	7.420" (188.5)	8.940" (227.1)	7.940" (201.7)
	M	#2	#1 /0	#4 /0	#300	#300	#350	#350
	D	4.750" (120.7)	5.500" (139.7)	6.875" (174.6)	7.750" (196.9)	7.750" (196.9)	9.500" (241.3)	9.500" (241.3)

U UL514 INVESTIGATION OF CONDUIT BODIES FOR THREE CONDUCTOR INSTALLATION WITH NO INVESTIGATION

M MAXIMUM WIRE FILL MARKED ON CONDUIT BODY

D DISTANCE BETWEEN HUBS ON CONDUIT BODY

Filename: KRALOY-07.doc
Directory: \\Bersrvbdc\bergen\QC MANUAL
Template: C:\Documents and Settings\joelau\Application
Data\Microsoft\Templates\Normal.dot
Title: SOCKET DIMENSION
Subject:
Author: joe lau
Keywords:
Comments:
Creation Date: 12/22/2000 9:54 AM
Change Number: 13
Last Saved On: 5/9/2004 11:40 AM
Last Saved By: Joe Lau
Total Editing Time: 47 Minutes
Last Printed On: 8/8/2005 12:37 PM
As of Last Complete Printing
Number of Pages: 2
Number of Words: 436 (approx.)
Number of Characters: 2,490 (approx.)

CSA, ULI

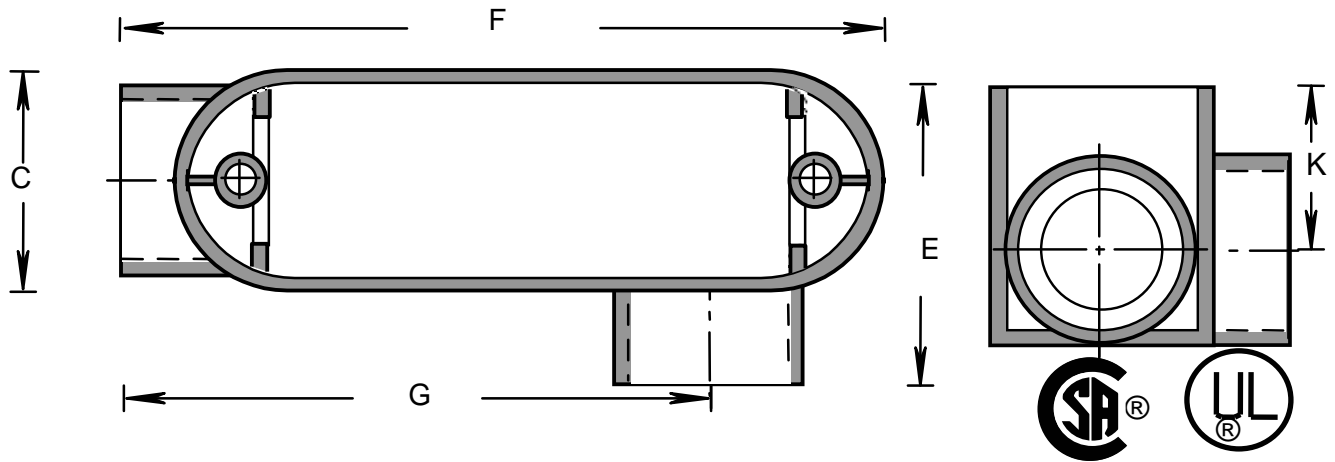
RIGID PVC CONDUIT FITTINGS - KRALOY

ISSUE DATE:
DATE D'EMISSION: 2004 05 15

TYPE "LL" ACCESS FITTINGS

SUPERCEDES:
REPLACE: 2001 06 30

2



PRODUCT CODE	PART NUMBER	NOMINAL SIZE		C		E		F		G	
		(in)	(mm)	(in)	(mm)	(in)	(mm)	(in)	(mm)	(in)	(mm)
078152	LL05	1/2	16	1.312	33	1.898	48	4.285	109	3.290	84
078153	LL07	3/4	21	1.500	38	2.204	56	4.970	126	3.980	101
078154	LL10	1	27	1.750	44	2.635	67	5.900	150	4.656	118
078155	LL12	1 1/4	35	2.450	62	3.246	82	7.650	194	6.060	154
078156	LL15	1 1/2	41	2.468	63	3.546	90	7.812	198	6.180	157
078157	LL20	2	53	3.062	78	4.176	106	9.970	253	8.055	205
078158	LL25	2 1/2	63	4.625	117	5.886	150	13.750	349	11.843	301
078159	LL30	3	78	4.625	117	5.918	150	14.250	362	11.843	301
078160	LL35	3 1/2	91	5.445	138	7.178	182	15.500	394	12.750	324
078161	LL40	4	103	5.445	138	7.178	182	15.500	394	12.750	324
178149*	LL05	1/2	16	1.312	33	1.898	48	4.285	109	3.290	84
178150*	LL07	3/4	21	1.500	38	2.204	56	4.970	126	3.980	101
178151*	LL10	1	27	1.750	44	2.635	67	5.900	150	4.656	118

PRODUCT CODE	PART NUMBER	NOMINAL SIZE		K	
		(in)	(mm)	(in)	(mm)
078152	LL05	1/2	16	0.883	22
078153	LL07	3/4	21	0.920	23
078154	LL10	1	27	1.188	30
078155	LL12	1 1/4	35	1.359	35
078156	LL15	1 1/2	41	1.360	35
078157	LL20	2	53	2.016	51
078158	LL25	2 1/2	63	2.451	62
078159	LL30	3	78	2.451	62
078160	LL35	3 1/2	91	2.891	73
078161	LL40	4	103	2.891	73
178149*	LL05	1/2	16	0.883	22
178150*	LL07	3/4	21	0.920	23
178151*	LL10	1	27	1.188	30

CSA, ULI

RIGID PVC CONDUIT FITTINGS - KRALOY

ISSUE DATE:
DATE D'EMISSION: 2004 05 15

TYPE "LL" ACCESS FITTINGS

SUPERCEDES:
REPLACE: 2001 06 30

2

PRODUCT CODE	PART NUMBER	NOMINAL SIZE		FILL VOLUME		INSERT CODE	SCREW CODE	REDUCER CODE	COVER CODE	GASKET CODE
		(in)	(mm)	(cu.in)	(cu.cm)					
078152	LL05	1/2	16	4.2	68.9		072563		093106	072421
078153	LL07	3/4	21	7.6	124.6		072564		093107	072422
078154	LL10	1	27	13.1	214.8		072564		093108	072735
078155	LL12	1 1/4	35	26.6	436.2		072564		093109	072736
078156	LL15	1 1/2	41	39.0	639.6		072564		093110	072736
078157	LL20	2	53	70.9	1162.8		072412		093111	072738
078158	LL25	2 1/2	63	178.2	2922.5	072419	072420	097558	093112	072739
078159	LL30	3	78	178.2	2922.5	072419	072420		093113	072739
078160	LL35	3 1/2	91	338.6	5553.0	072419	072420	097991	093113	072740
078161	LL40	4	103	338.6	5553.0	072419	072420		093114	072740
178149*	LL05	1/2	16	4.2	68.9		072563		093106	072421
178150*	LL07	3/4	21	7.6	124.6		072564		093107	072422
178151*	LL10	1	27	13.1	214.8		072564		093108	072735

* Bulk Packed for Pacific Circle

MAXIMUM WIRE FILL

1/2" + 3/4" + 1 "		1 1/4 "	1 1/2"	2"	2 1/2"	3"	3 1/2"	4"
(12 + 21 + 27)		(35)	(41)	(53)	(63)	(78)	(91)	(103)
MAX. WIRE FILL #6 AWG CONDUCTORS OR SMALLER FOR 1": PULLING COMPOUND REQUIRED FOR #4 AWG	U	2.720" (69.1)	4.480" (113.8)	5.750" (146.1)	7.420" (188.5)	7.420" (188.5)	8.940" (227.1)	7.940" (201.7)
	M	#2	#1 /0	#4 /0	#300	#300	#350	#350
	D	4.750" (120.7)	5.500" (139.7)	6.875" (174.6)	7.750" (196.9)	7.750" (196.9)	9.500" (241.3)	9.500" (241.3)

U UL514 INVESTIGATION OF CONDUIT BODIES FOR THREE CONDUCTOR INSTALLATION WITH NO INVESTIGATION

M MAXIMUM WIRE FILL MARKED ON CONDUIT BODY

D DISTANCE BETWEEN HUBS ON CONDUIT BODY

Filename: KRALOY-07.doc
Directory: \\Bersrvbdc\bergen\QC MANUAL
Template: C:\Documents and Settings\joelau\Application
Data\Microsoft\Templates\Normal.dot
Title: SOCKET DIMENSION
Subject:
Author: joe lau
Keywords:
Comments:
Creation Date: 12/22/2000 9:54 AM
Change Number: 13
Last Saved On: 5/9/2004 11:40 AM
Last Saved By: Joe Lau
Total Editing Time: 47 Minutes
Last Printed On: 8/8/2005 12:37 PM
As of Last Complete Printing
Number of Pages: 2
Number of Words: 436 (approx.)
Number of Characters: 2,490 (approx.)