

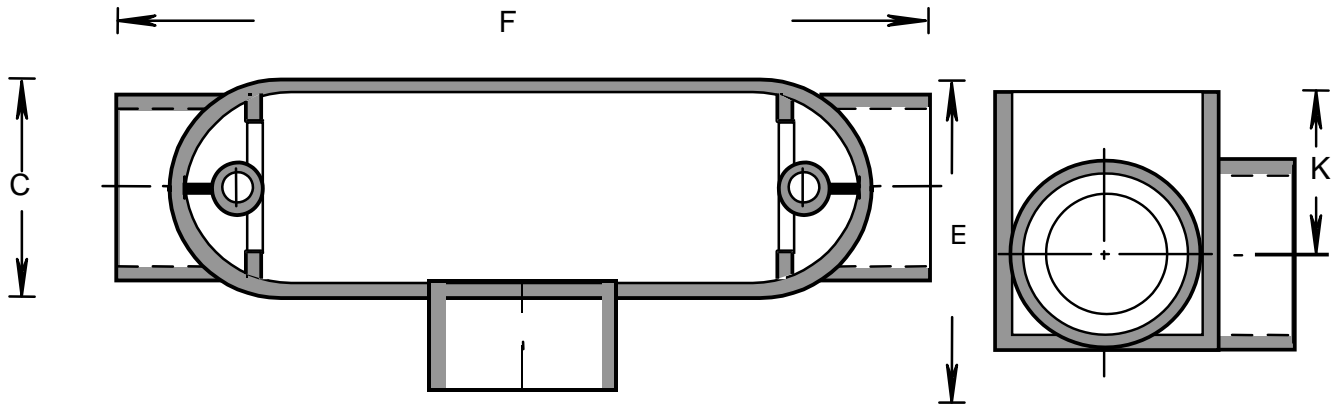
RIGID PVC CONDUIT FITTINGS - KRALOY

ISSUE DATE:
DATE D'EMISSION: 2013 08 27

TYPE "T" ACCESS FITTINGS

SUPERCEDES:
REEMPLACE: 2012 10 30

6



PRODUCT CODE	PART NUMBER	NOMINAL SIZE		C		E		F		K	
		(in)	(mm)	(in)	(mm)	(in)	(mm)	(in)	(mm)	(in)	(mm)
078176	T05	1/2	16	1.312	33	1.898	48	4.843	123	0.883	22
078177	T07	3/4	21	1.500	38	2.204	56	5.640	143	0.920	23
078178	T10	1	27	1.750	44	2.635	67	6.743	171	1.188	30
078179	T12	1 1/4	35	2.450	62	3.246	82	8.409	214	1.359	35
078180	T15	1 1/2	41	2.468	63	3.546	90	8.839	225	1.360	35
078181	T20	2	53	3.190	81	4.535	115	10.880	276	1.970	50
078182	T25	2 1/2	63	4.500	114	6.240	158	14.600	371	2.610	66
078183	T30	3	78	4.500	114	6.240	158	14.600	371	2.610	66
078184	T35	3 1/2	91	5.540	140	7.500	190	17.070	434	2.975	75
078185	T40	4	103	5.540	140	7.500	190	17.070	434	2.975	75
178044*	T05	1/2	16	1.312	33	1.898	48	4.843	123	0.883	22
178045*	T10	1	27	1.750	44	2.635	67	6.743	171	1.188	30
178054*	T12	1 1/4	35	2.450	62	3.246	82	8.409	214	1.359	35
178055*	T15	1 1/2	41	2.468	63	3.546	90	8.839	225	1.360	35
178115*	T07	3/4	21	1.500	38	2.204	56	5.640	143	0.920	23
178126*	T20	2	53	3.190	81	4.535	115	10.880	276	1.970	50

* Bulk packed for 075

PRODUCT CODE	PART NUMBER	NOMINAL SIZE		FILL VOLUME		INSERT CODE	SCREW CODE	REDUCER CODE	COVER CODE	GASKET CODE
		(in)	(mm)	(cu.in)	(cu.cm)					
078176	T05	1/2	16	4.1	67.2		072563		093106	072421
078177	T07	3/4	21	7.5	123.0		072264		093107	072422
078178	T10	1	27	13.0	213.2		072264		093108	097952
078179	T12	1 1/4	35	26.5	434.6		072564		093109	097953
078180	T15	1 1/2	41	38.9	638.0		072264		093110	072736
078181	T20	2	53	70.8	1161.2		072412		097966	097955
078182	T25	2 1/2	63	178.0	2919.2	072419	072420	097558	097957	097961
078183	T30	3	78	178.0	2919.2	072419	072420		097957	097961
078184	T35	3 1/2	91	338.4	5549.8	072419	072420	097991	097959	097963
078185	T40	4	103	338.4	5549.8	072419	072420		097959	097963
178044*	T05	1/2	16	4.1	67.2		072563		093106	072421
178045*	T10	1	27	13.0	213.2		072264		093108	072735
178054*	T12	1 1/4	35	26.5	434.6		072564		093109	097953
178055*	T15	1 1/2	41	38.9	638.0		072264		093110	072736
178115*	T07	3/4	21	7.5	123.0		072264		093107	072422
178126*	T20	2	53	70.8	1161.2		072412		097966	097955

Bulk packed for 075

MA
XI
MU
M
WI
RE
FIL
L

1/2" + 3/4" + 1" (12 + 21 + 27)		1 1/4" (35)	1 1/2" (41)	2" (53)	2 1/2" (63)	3" (78)	3 1/2" (91)	4" (103)
MAX. WIRE FILL #6 AWG CONDUCTORS OR SMALLER FOR 1": PULLING COMPOUND REQUIRED FOR #4 AWG	U	2.550" (64.8)	2.720" (69.1)	4.000" (101.6)	5.000" (127.0)	5.000" (127.0)	5.750" (146.1)	5.750" (146.1)
	M	#3	#2	#1	#2 /0	#2 /0	#4 /0	#4 /0
	D	2.680" (68.1)	3.315" (108.0)	4.250" (107.9)	5.125" (130.2)	5.125" (130.2)	6.250" (158.8)	6.250" (158.8)

U UL514 INVESTIGATION OF CONDUIT BODIES FOR THREE CONDUCTOR INSTALLATION WITH NO INVESTIGATION
M MAXIMUM WIRE FILL
MARKED ON CONDUIT BODY

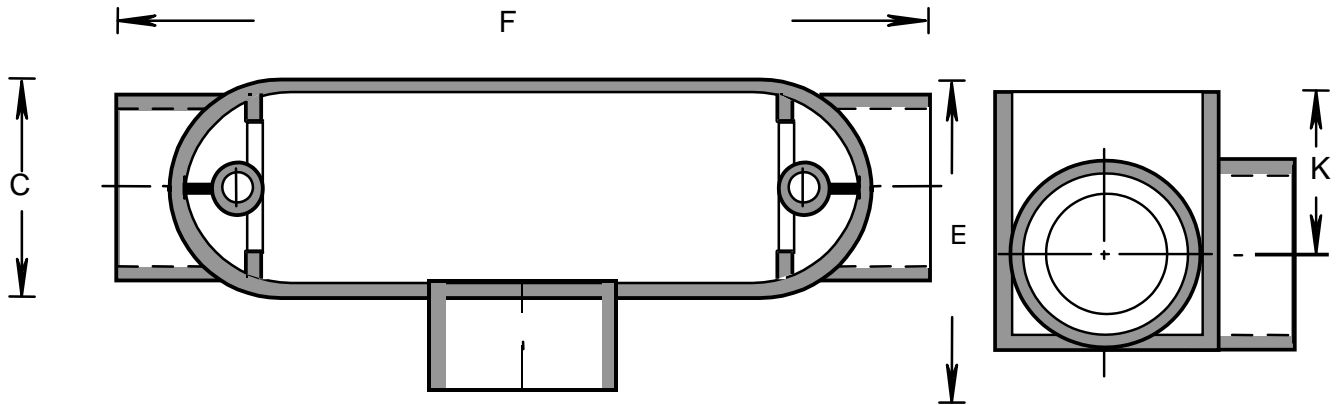
RIGID PVC CONDUIT FITTINGS - KRALOY

ISSUE DATE:
DATE D'EMISSION: 2013 08 27

TYPE "T" ACCESS FITTINGS

SUPERCEDES:
REEMPLACE: 2012 10 30

6



PRODUCT CODE	PART NUMBER	NOMINAL SIZE		C		E		F		K	
		(in)	(mm)	(in)	(mm)	(in)	(mm)	(in)	(mm)	(in)	(mm)
078176	T05	1/2	16	1.312	33	1.898	48	4.843	123	0.883	22
078177	T07	3/4	21	1.500	38	2.204	56	5.640	143	0.920	23
078178	T10	1	27	1.750	44	2.635	67	6.743	171	1.188	30
078179	T12	1 1/4	35	2.450	62	3.246	82	8.409	214	1.359	35
078180	T15	1 1/2	41	2.468	63	3.546	90	8.839	225	1.360	35
078181	T20	2	53	3.190	81	4.535	115	10.880	276	1.970	50
078182	T25	2 1/2	63	4.500	114	6.240	158	14.600	371	2.610	66
078183	T30	3	78	4.500	114	6.240	158	14.600	371	2.610	66
078184	T35	3 1/2	91	5.540	140	7.500	190	17.070	434	2.975	75
078185	T40	4	103	5.540	140	7.500	190	17.070	434	2.975	75
178044*	T05	1/2	16	1.312	33	1.898	48	4.843	123	0.883	22
178045*	T10	1	27	1.750	44	2.635	67	6.743	171	1.188	30
178054*	T12	1 1/4	35	2.450	62	3.246	82	8.409	214	1.359	35
178055*	T15	1 1/2	41	2.468	63	3.546	90	8.839	225	1.360	35
178115*	T07	3/4	21	1.500	38	2.204	56	5.640	143	0.920	23
178126*	T20	2	53	3.190	81	4.535	115	10.880	276	1.970	50

* Bulk packed for 075

PRODUCT CODE	PART NUMBER	NOMINAL SIZE		FILL VOLUME		INSERT CODE	SCREW CODE	REDUCER CODE	COVER CODE	GASKET CODE
		(in)	(mm)	(cu.in)	(cu.cm)					
078176	T05	1/2	16	4.1	67.2		072563		093106	072421
078177	T07	3/4	21	7.5	123.0		072264		093107	072422
078178	T10	1	27	13.0	213.2		072264		093108	097952
078179	T12	1 1/4	35	26.5	434.6		072564		093109	097953
078180	T15	1 1/2	41	38.9	638.0		072264		093110	072736
078181	T20	2	53	70.8	1161.2		072412		097966	097955
078182	T25	2 1/2	63	178.0	2919.2	072419	072420	097558	097957	097961
078183	T30	3	78	178.0	2919.2	072419	072420		097957	097961
078184	T35	3 1/2	91	338.4	5549.8	072419	072420	097991	097959	097963
078185	T40	4	103	338.4	5549.8	072419	072420		097959	097963
178044*	T05	1/2	16	4.1	67.2		072563		093106	072421
178045*	T10	1	27	13.0	213.2		072264		093108	072735
178054*	T12	1 1/4	35	26.5	434.6		072564		093109	097953
178055*	T15	1 1/2	41	38.9	638.0		072264		093110	072736
178115*	T07	3/4	21	7.5	123.0		072264		093107	072422
178126*	T20	2	53	70.8	1161.2		072412		097966	097955

Bulk packed for 075

MA
XI
MU
M
WI
RE
FIL
L

1/2" + 3/4" + 1" (12 + 21 + 27)		1 1/4" (35)	1 1/2" (41)	2" (53)	2 1/2" (63)	3" (78)	3 1/2" (91)	4" (103)
MAX. WIRE FILL #6 AWG CONDUCTORS OR SMALLER FOR 1": PULLING COMPOUND REQUIRED FOR #4 AWG	U	2.550" (64.8)	2.720" (69.1)	4.000" (101.6)	5.000" (127.0)	5.000" (127.0)	5.750" (146.1)	5.750" (146.1)
	M	#3	#2	#1	#2 /0	#2 /0	#4 /0	#4 /0
	D	2.680" (68.1)	3.315" (108.0)	4.250" (107.9)	5.125" (130.2)	5.125" (130.2)	6.250" (158.8)	6.250" (158.8)

U UL514 INVESTIGATION OF CONDUIT BODIES FOR THREE CONDUCTOR INSTALLATION WITH NO INVESTIGATION
M MAXIMUM WIRE FILL
MARKED ON CONDUIT BODY