

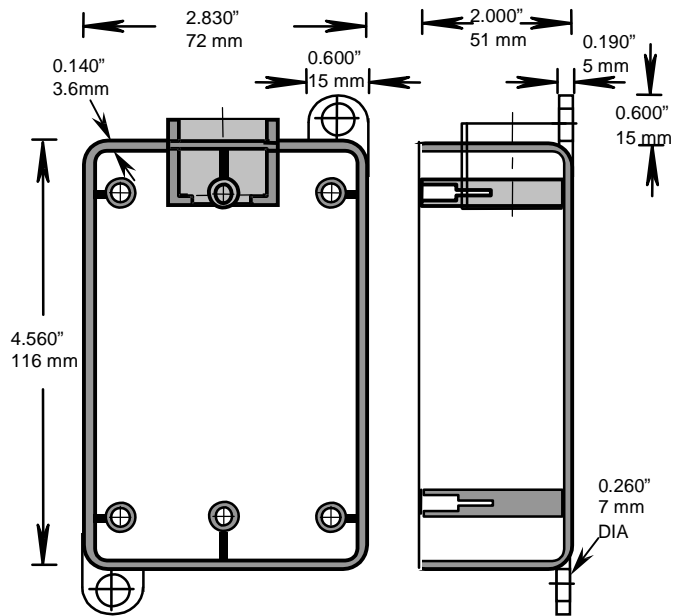
RIGID PVC CONDUIT FITTINGS - KRALOY

ISSUE DATE:
DATE D'EMISSION: 2004 01 15

FSE SINGLE GANG BOXES

SUPERCEDES:
REPLACE: 2003 11 15

4



PRODUCT CODE	PART NUMBER	VOLUME	
		(cubic in)	(cubic mm)
078229	FSE05	17.4	285.1
078230	FSE07	17.4	285.1
178062	FSE05	17.4	285.1
178063	FSE07	17.4	285.1

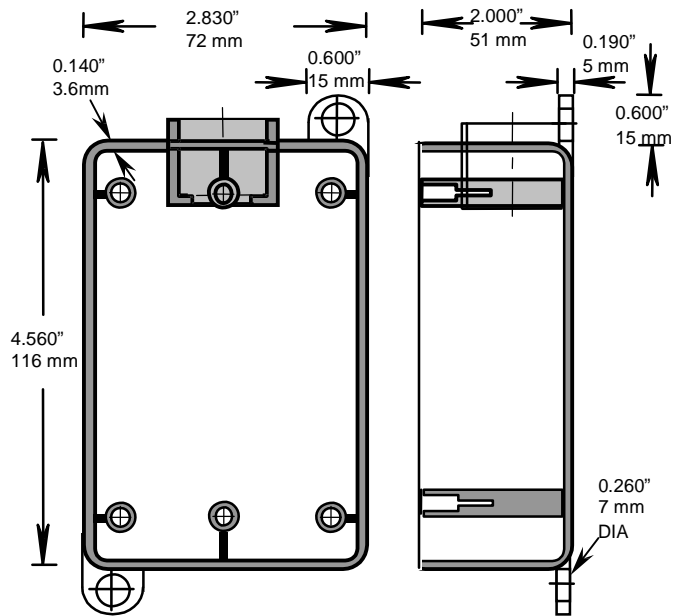
RIGID PVC CONDUIT FITTINGS - KRALOY

ISSUE DATE:
DATE D'EMISSION: 2004 01 15

FSE SINGLE GANG BOXES

SUPERCEDES:
REPLACE: 2003 11 15

4



PRODUCT CODE	PART NUMBER	VOLUME	
		(cubic in)	(cubic mm)
078229	FSE05	17.4	285.1
078230	FSE07	17.4	285.1
178062	FSE05	17.4	285.1
178063	FSE07	17.4	285.1

