

CSA, ULI

RIGID PVC CONDUIT FITTINGS - KRALOY

FSS SINGLE GANG BOXES

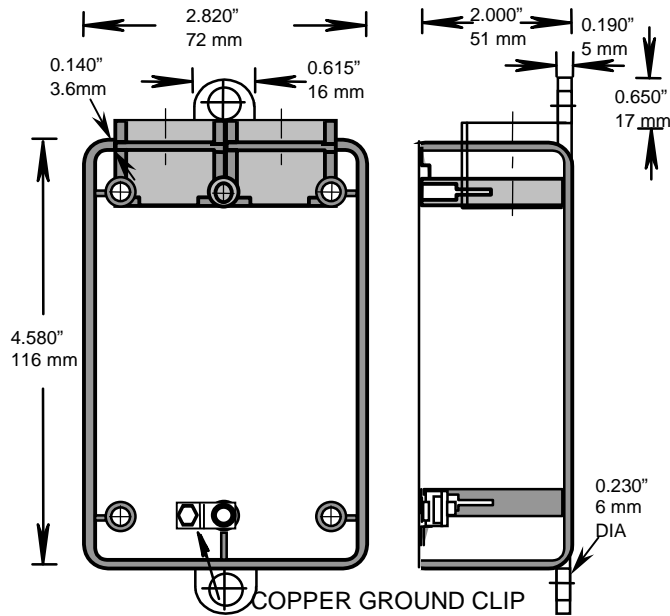
ISSUE DATE:

DATE D'EMISSION: 2004 04 30

SUPERCEDES:

REPLACE: 2000 07 20

2



| PRODUCT CODE | PART NUMBER | VOLUME | |
|--------------|-------------|-------------|------------|
| | | (cubic in) | (cubic mm) |
| 078232 | FSS05 | 17.0 | 278.8 |
| 078233 | FSS07 | 17.0 | 278.8 |
| 178128 | FSS05 | 17.0 | 278.8 |
| 178129 | FSS07 | 17.0 | 278.8 |

INSERTS AND GROUND CLIP

| DESCRIPTION | PART NUMBER | SIZE | QUANTITY |
|-------------------------------------|-------------|--------------|----------|
| REGULAR INSERT | 072537 | 6-32 | 5 |
| COLLAR INSERT | 072536 | 6-32 | 1 |
| SCREW(HEXHEAD COMB)WITH GROUND CLIP | 072512 | 10-32 X 5/16 | 1 |

Filename: KRALOY-21.doc
Directory: \\Bersrvbdc\bergen\QC MANUAL
Template: C:\Documents and Settings\joelau\Application
Data\Microsoft\Templates\Normal.dot
Title: SOCKET DIMENSION
Subject:
Author: joe lau
Keywords:
Comments:
Creation Date: 1/2/2001 9:31 AM
Change Number: 4
Last Saved On: 4/14/2004 4:00 PM
Last Saved By: Joe Lau
Total Editing Time: 1 Minute
Last Printed On: 8/8/2005 12:35 PM
As of Last Complete Printing
Number of Pages: 1
Number of Words: 56 (approx.)
Number of Characters: 324 (approx.)

CSA, ULI

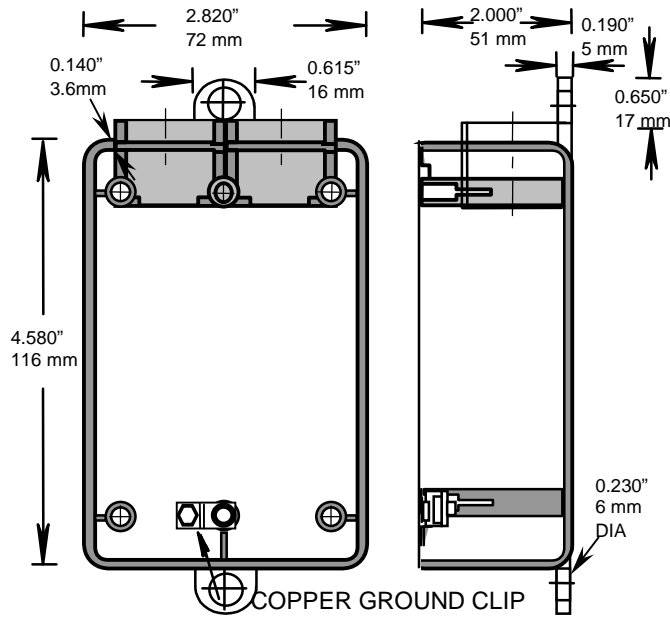
RIGID PVC CONDUIT FITTINGS - KRALOY

FSS SINGLE GANG BOXES

ISSUE DATE:
DATE D'EMISSION: 2004 04 30

SUPERCEDES:
REPLACE: 2000 07 20

2



| PRODUCT CODE | PART NUMBER | VOLUME | |
|--------------|-------------|-------------|------------|
| | | (cubic in) | (cubic mm) |
| 078232 | FSS05 | 17.0 | 278.8 |
| 078233 | FSS07 | 17.0 | 278.8 |
| 178128 | FSS05 | 17.0 | 278.8 |
| 178129 | FSS07 | 17.0 | 278.8 |

INSERTS AND GROUND CLIP

| DESCRIPTION | PART NUMBER | SIZE | QUANTITY |
|-------------------------------------|-------------|--------------|----------|
| REGULAR INSERT | 072537 | 6-32 | 5 |
| COLLAR INSERT | 072536 | 6-32 | 1 |
| SCREW(HEXHEAD COMB)WITH GROUND CLIP | 072512 | 10-32 X 5/16 | 1 |

Filename: KRALOY-21.doc
Directory: \\Bersrvbdc\bergen\QC MANUAL
Template: C:\Documents and Settings\joelau\Application
Data\Microsoft\Templates\Normal.dot
Title: SOCKET DIMENSION
Subject:
Author: joe lau
Keywords:
Comments:
Creation Date: 1/2/2001 9:31 AM
Change Number: 4
Last Saved On: 4/14/2004 4:00 PM
Last Saved By: Joe Lau
Total Editing Time: 1 Minute
Last Printed On: 8/8/2005 12:35 PM
As of Last Complete Printing
Number of Pages: 1
Number of Words: 56 (approx.)
Number of Characters: 324 (approx.)