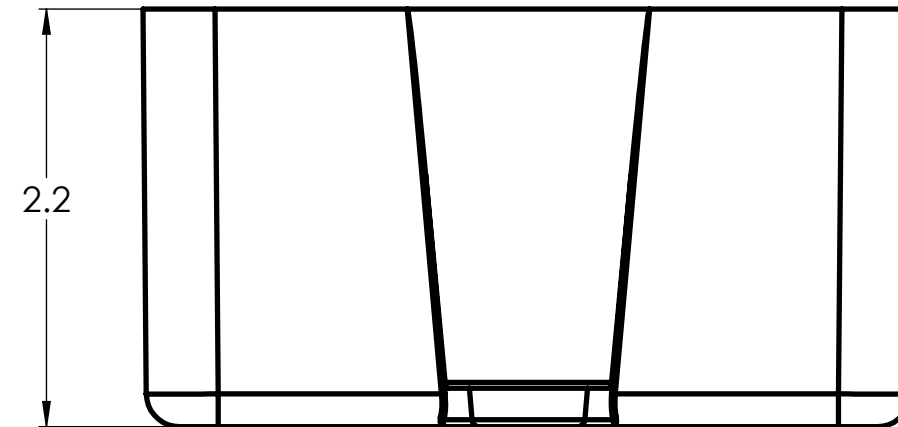
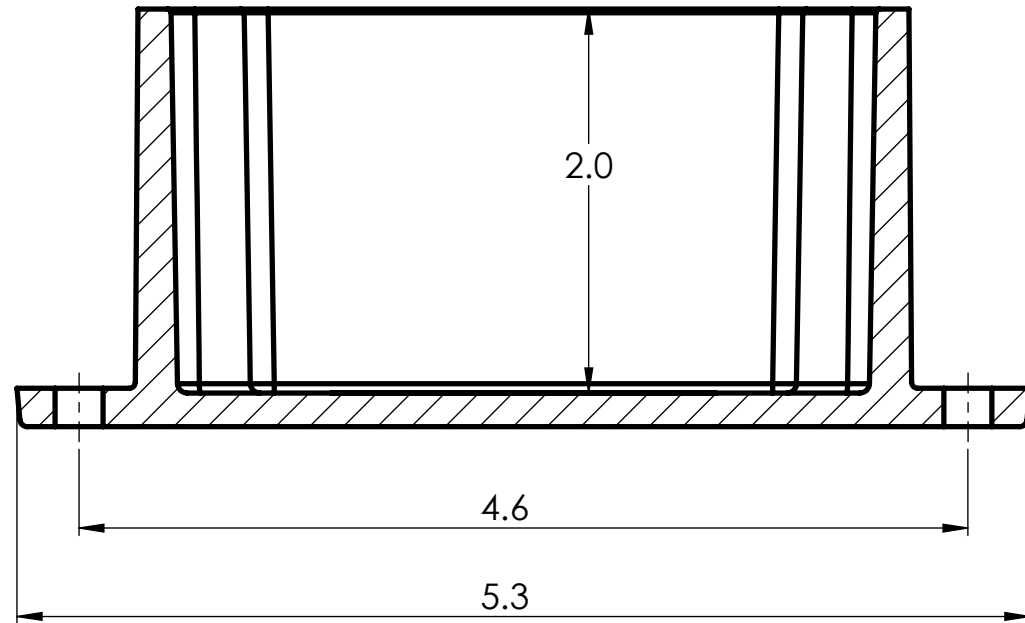
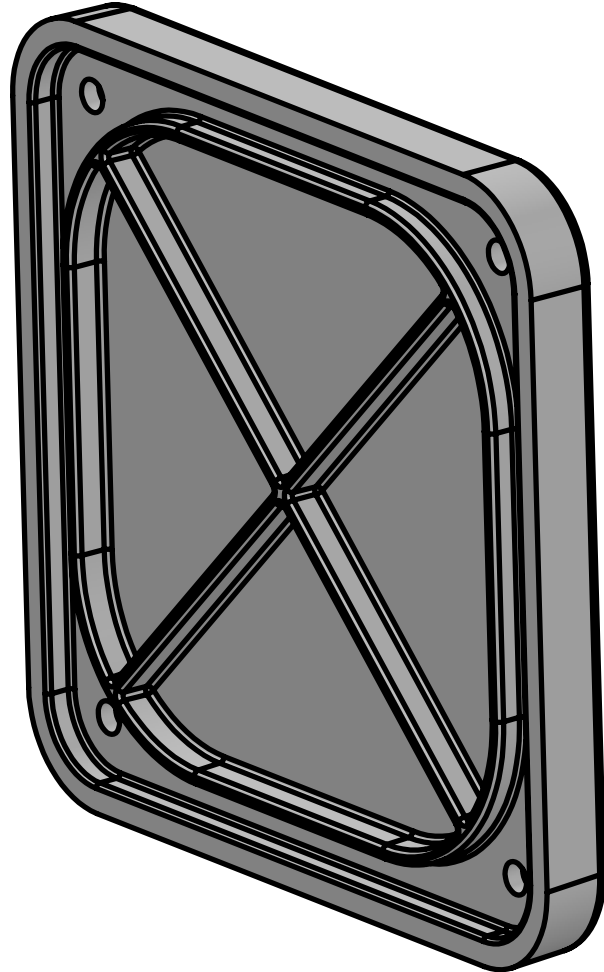
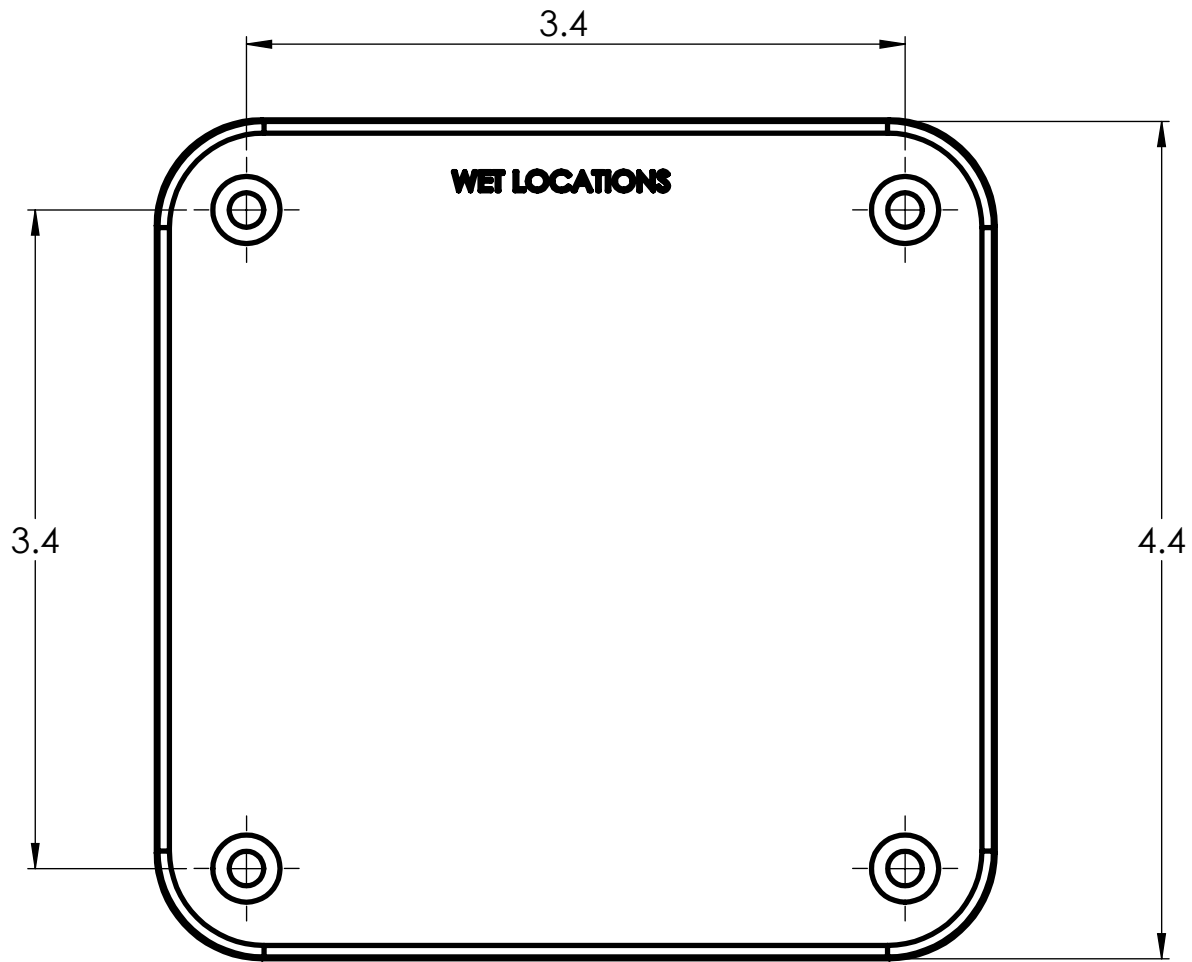
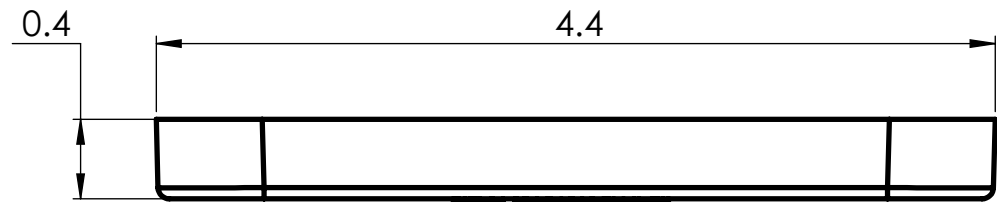


JB442 BOX



PLASTIC/RUBBER SIZES

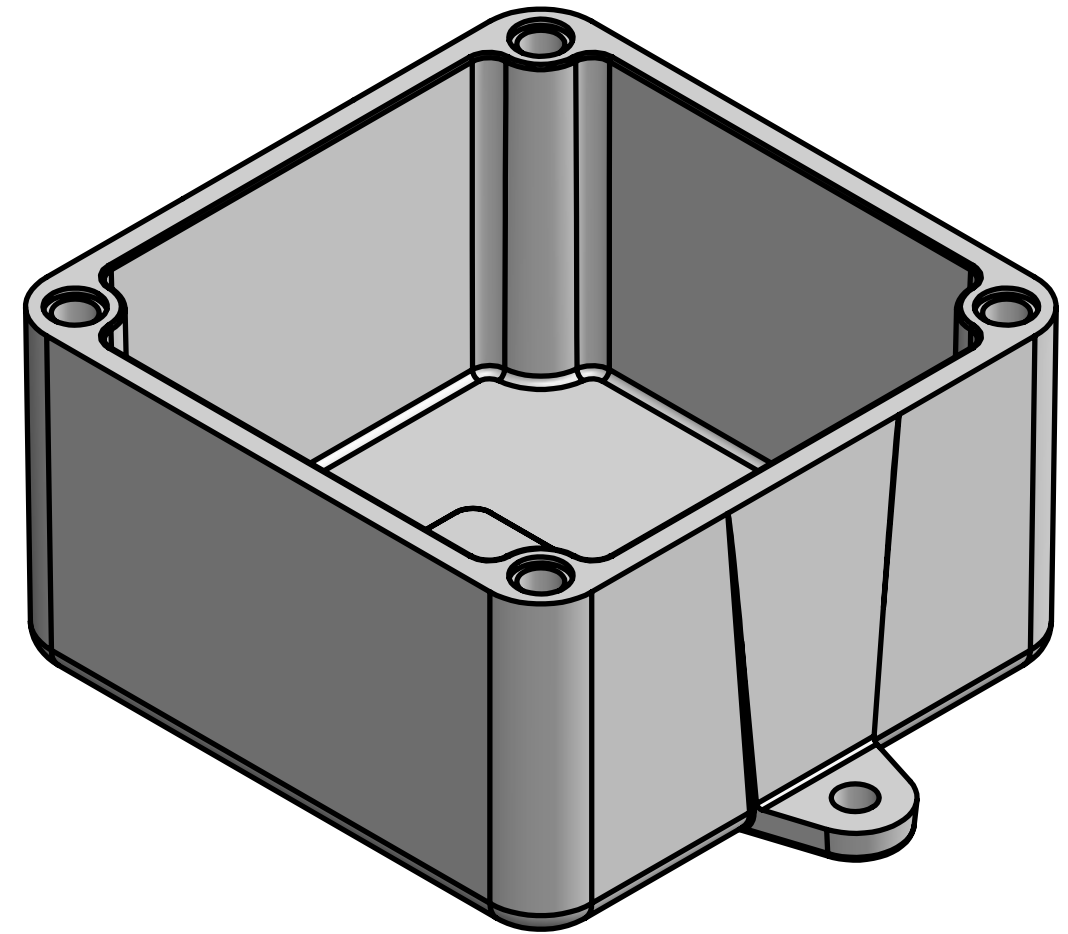
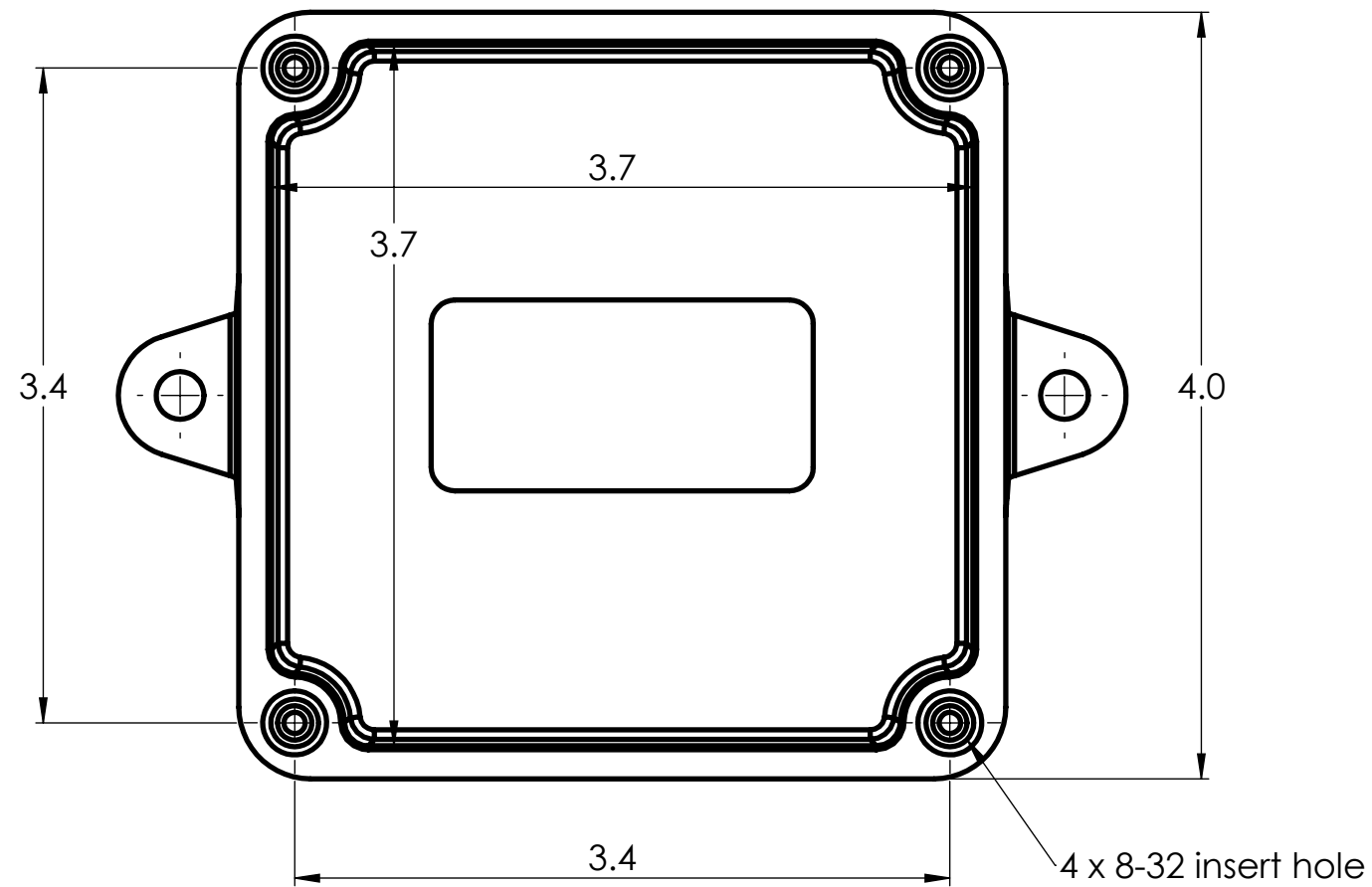
SIZES SHOWN ARE FOR REFERENCE 3D MODEL IS TO BE USED FOR MANUFACTURING / VERIFICATION		ALL CHANGES MUST BE APPROVED AND RECORDED BY ENGINEERING	
UNIT: INCHES UNLESS DUAL DIMENSION: INCH [METRIC]	PROJECTION 	IPEX Technologies Inc.	
THIS DRAWING AND ALL TECHNICAL INFORMATION APPEARING HEREON ARE PROPERTY OF IPEX TECHNOLOGIES INC. AND MUST BE KEPT IN CONFIDENCE BY THE RECIPIENT. THE SAME MAY NOT BE USED OR REPRODUCED EITHER IN WHOLE OR IN PART WITHOUT THE EXPRESS CONSENT OF IPEX TECHNOLOGIES INC.	TITLE JB442 4"x4"x2" PVC JUNCTION BOX KRALOY		SCALE: NA
	PAPER SIZE ANSI B	NAME	DATE
PART APPEARANCE:	COLOR:	DRAWN	MAT'L:
SURFACE FINISHES: (UNLESS OTHERWISE NOTED)		APP'D	PRODUCT CODE: 078242
INSIDE:	(UNLESS OTHERWISE SPECIFIED)	DIMENSIONS ARE IN INCHES TOLERANCES	REFERENCE DIMENSIONS ARE SHOWN WITH REF. NOTE
OUTSIDE:	FRACTIONAL	± 1/32	
OTHER:	X.X	± 0.015	
	X.XX	± 0.010	
	X.XXX	± 0.005	
	ANGULAR	± 1.0	
FILENAME:	FOLDER:		PROJECT No.



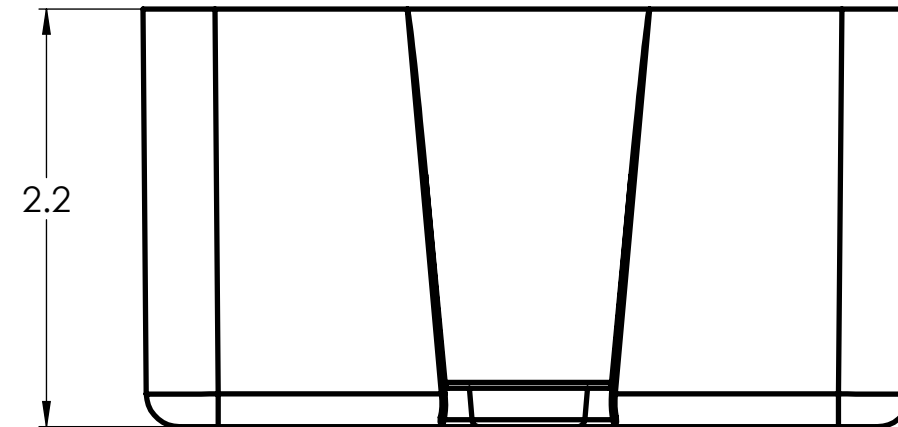
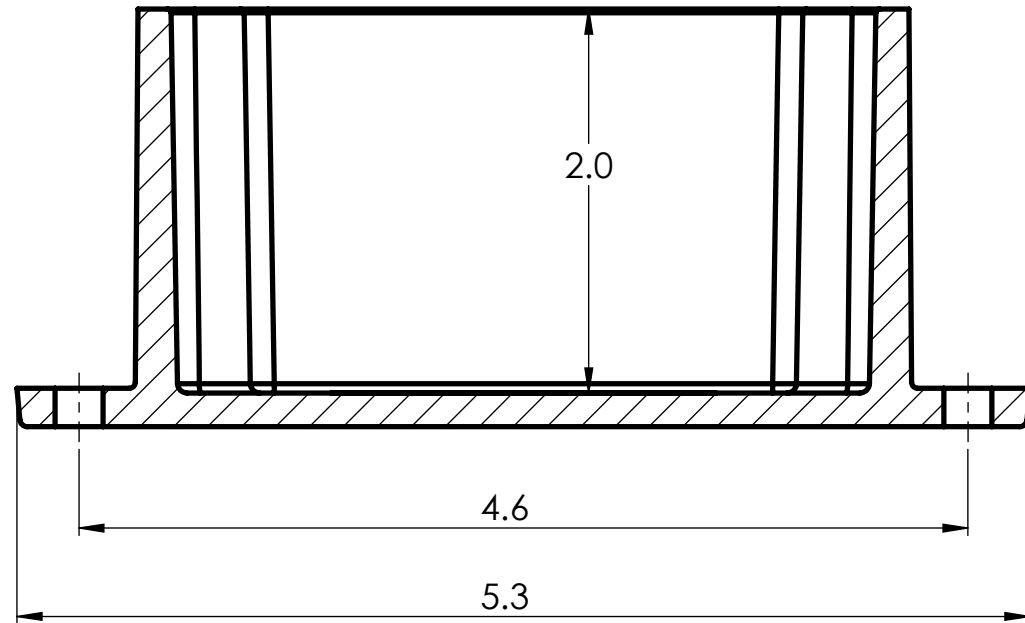
JB442 COVER

PLASTIC/RUBBER SIZES

SIZES SHOWN ARE FOR REFERENCE 3D MODEL IS TO BE USED FOR MANUFACTURING / VERIFICATION		ALL CHANGES MUST BE APPROVED AND RECORDED BY ENGINEERING	
UNIT: INCHES UNLESS DUAL DIMENSION: INCH [METRIC]	PROJECTION 	IPEX Technologies Inc.	
THIS DRAWING AND ALL TECHNICAL INFORMATION APPEARING HEREON ARE PROPERTY OF IPEX TECHNOLOGIES INC. AND MUST BE KEPT IN CONFIDENCE BY THE RECIPIENT. THE SAME MAY NOT BE USED OR REPRODUCED EITHER IN WHOLE OR IN PART WITHOUT THE EXPRESS CONSENT OF IPEX TECHNOLOGIES INC.	TITLE JB442 4"x4"x2" PVC JUNCTION BOX KRALOY		
	PAPER SIZE ANSI B	NAME	DATE
PART APPEARANCE:	COLOR:	DRAWN	SCALE: NA
SURFACE FINISHES: (UNLESS OTHERWISE NOTED)	APP'D	MAT'L:	
INSIDE:	DIMENSIONS ARE IN INCHES TOLERANCES (UNLESS OTHERWISE SPECIFIED) FRACTIONAL ± 1/32 X.X ± 0.015 X.XX ± 0.010 X.XXX ± 0.005 ANGULAR ± 1.0	PRODUCT CODE: 078242	
OUTSIDE:		REFERENCE DIMENSIONS ARE SHOWN WITH REF. NOTE	
OTHER:		PROJECT No.	
FILENAME:		FOLDER:	

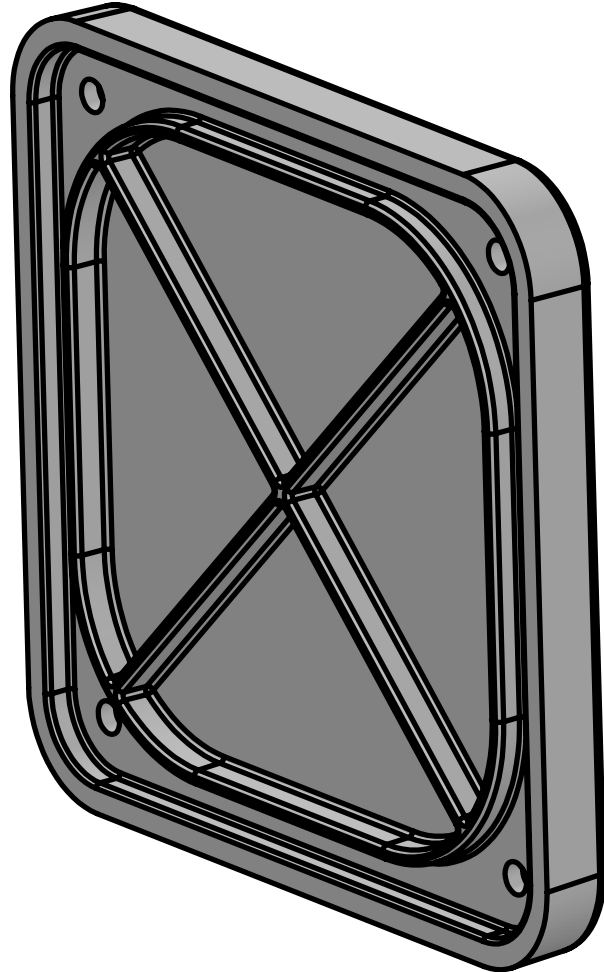
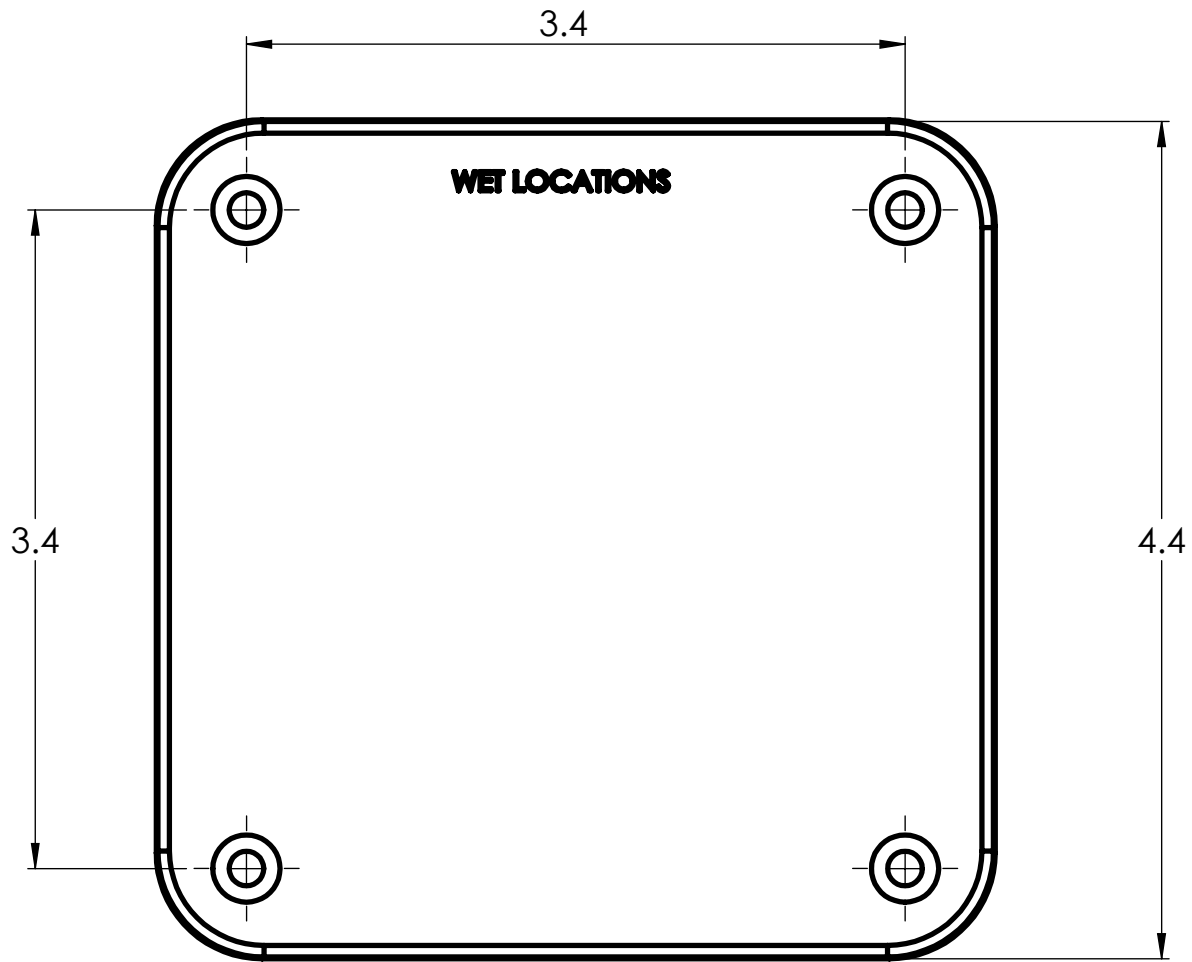
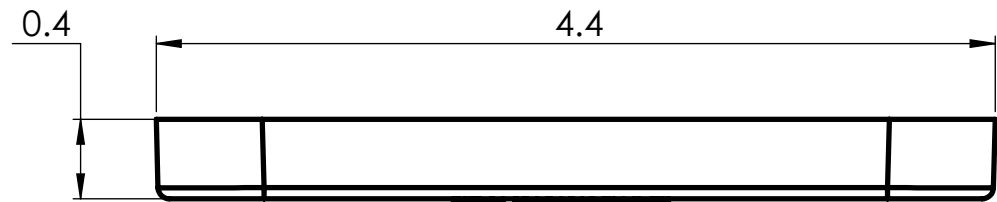


JB442 BOX



PLASTIC/RUBBER SIZES

SIZES SHOWN ARE FOR REFERENCE 3D MODEL IS TO BE USED FOR MANUFACTURING / VERIFICATION		ALL CHANGES MUST BE APPROVED AND RECORDED BY ENGINEERING	
UNIT: INCHES UNLESS DUAL DIMENSION: INCH [METRIC]	PROJECTION 	IPEX Technologies Inc.	
THIS DRAWING AND ALL TECHNICAL INFORMATION APPEARING HEREON ARE PROPERTY OF IPEX TECHNOLOGIES INC. AND MUST BE KEPT IN CONFIDENCE BY THE RECIPIENT. THE SAME MAY NOT BE USED OR REPRODUCED EITHER IN WHOLE OR IN PART WITHOUT THE EXPRESS CONSENT OF IPEX TECHNOLOGIES INC.	TITLE JB442 4"x4"x2" PVC JUNCTION BOX KRALOY		SCALE: NA
	PAPER SIZE ANSI B	NAME	DATE
PART APPEARANCE:	COLOR:	DRAWN	MAT'L:
SURFACE FINISHES: (UNLESS OTHERWISE NOTED)		APP'D	PRODUCT CODE: 078242
INSIDE:	(UNLESS OTHERWISE SPECIFIED) FRACTIONAL ± 1/32 X.X ± 0.015 X.XX ± 0.010 X.XXX ± 0.005 ANGULAR ± 1.0	CRTICAL DIMENSIONS ARE SHOWN AS **DIM**	REFERENCE DIMENSIONS ARE SHOWN WITH REF. NOTE
OUTSIDE:			PROJECT No.
OTHER:			
FILENAME:	FOLDER:		



JB442 COVER

PLASTIC/RUBBER SIZES

SIZES SHOWN ARE FOR REFERENCE 3D MODEL IS TO BE USED FOR MANUFACTURING / VERIFICATION		ALL CHANGES MUST BE APPROVED AND RECORDED BY ENGINEERING	
UNIT: INCHES UNLESS DUAL DIMENSION: INCH [METRIC]	PROJECTION 	IPEX Technologies Inc.	
THIS DRAWING AND ALL TECHNICAL INFORMATION APPEARING HEREON ARE PROPERTY OF IPEX TECHNOLOGIES INC. AND MUST BE KEPT IN CONFIDENCE BY THE RECIPIENT. THE SAME MAY NOT BE USED OR REPRODUCED EITHER IN WHOLE OR IN PART WITHOUT THE EXPRESS CONSENT OF IPEX TECHNOLOGIES INC.	TITLE JB442 4"x4"x2" PVC JUNCTION BOX KRALOY		
	PAPER SIZE ANSI B	NAME	DATE
PART APPEARANCE:	COLOR:	DRAWN	SCALE: NA
SURFACE FINISHES: (UNLESS OTHERWISE NOTED)	APP'D	MATT'L:	
INSIDE:	DIMENSIONS ARE IN INCHES TOLERANCES (UNLESS OTHERWISE SPECIFIED)		PRODUCT CODE:
OUTSIDE:	FRACTIONAL	± 1/32	078242
OTHER:	XX	± 0.015	
	XXX	± 0.010	REFERENCE DIMENSIONS ARE SHOWN WITH REF. NOTE
	XXXX	± 0.005	PROJECT No.
FILENAME:	ANGULAR	± .0	
	FOLDER:		