

CSA, ULI

RIGID PVC CONDUIT FITTINGS - KRALOY

JB444 JUNCTION BOXES, 078243, 178134

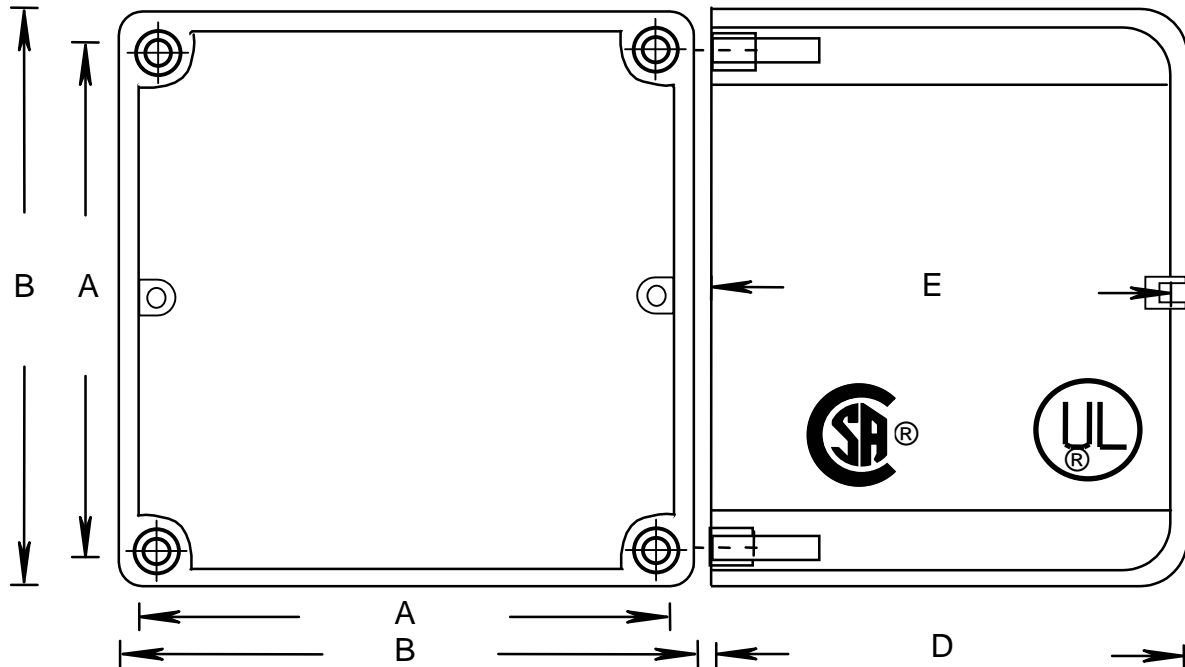
ISSUE DATE:

DATE D'EMISSION: 2004 04 30

SUPERCEDES:

REPLACE: 2002 06 20

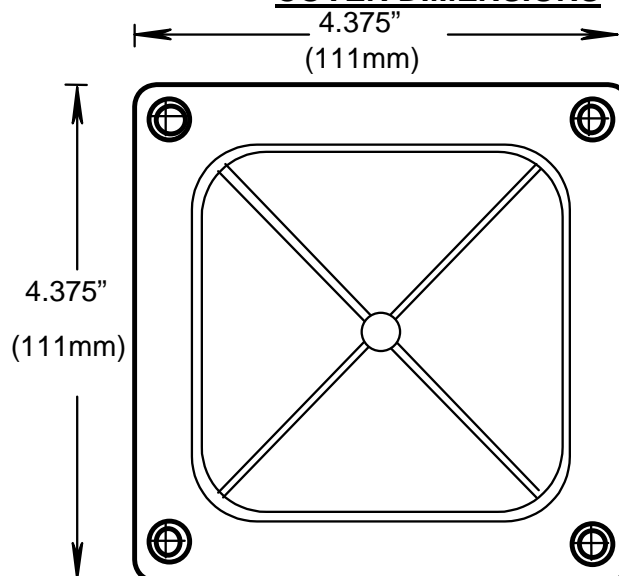
3



PART NUMBER	NOMINAL SIZE		A		B		D		E	
	(in)	(mm)	(in)	(mm)	(in)	(mm)	(in)	(mm)	(in)	(mm)
JB 444	4	103	4.000	102	4.375	111	4.187	106	4.000	102

PART NUMBER	NOMINAL SIZE		GASKET CODE	INSERT CODE	SCREW CODE	M.FEET CODE	VOLUME	
	(in)	(mm)					(cu. in)	(cu. cm)
JB 444	4	103	072491	072538(4) 072539(2)	072522(4) 072513(2)	097747	56.0	917

COVER DIMENSIONS



Filename: KRALOY-24.doc
Directory: \\Bersrvbdc\bergen\QC MANUAL
Template: C:\Documents and Settings\joelau\Application
Data\Microsoft\Templates\Normal.dot
Title: SOCKET DIMENSION
Subject:
Author: joe lau
Keywords:
Comments:
Creation Date: 1/2/2001 10:26 AM
Change Number: 11
Last Saved On: 4/14/2004 3:45 PM
Last Saved By: Joe Lau
Total Editing Time: 11 Minutes
Last Printed On: 8/8/2005 12:35 PM
As of Last Complete Printing
Number of Pages: 1
Number of Words: 56 (approx.)
Number of Characters: 324 (approx.)

CSA, ULI

RIGID PVC CONDUIT FITTINGS - KRALOY

JB444 JUNCTION BOXES, 078243, 178134

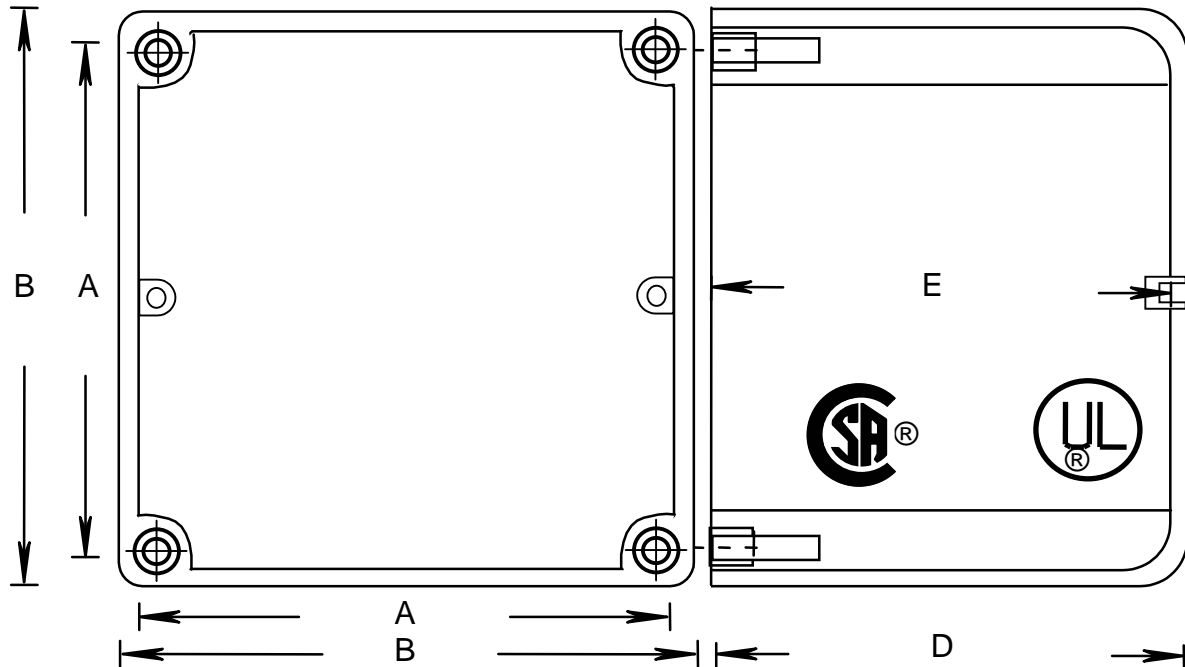
ISSUE DATE:

DATE D'EMISSION: 2004 04 30

SUPERCEDES:

REPLACE: 2002 06 20

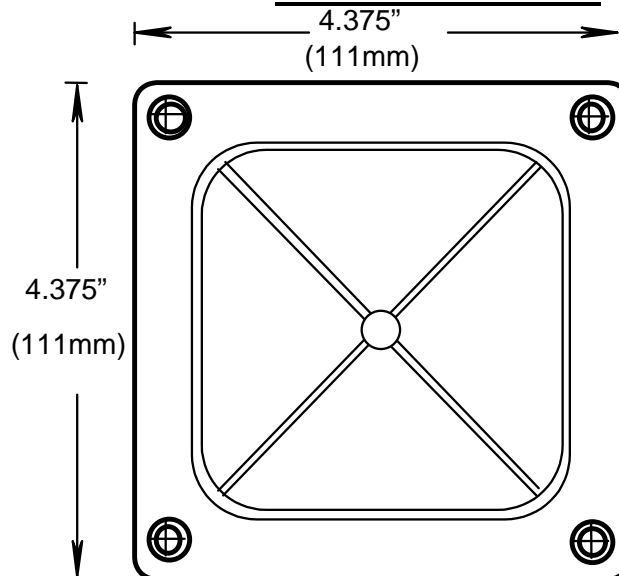
3



PART NUMBER	NOMINAL SIZE		A		B		D		E	
	(in)	(mm)	(in)	(mm)	(in)	(mm)	(in)	(mm)	(in)	(mm)
JB 444	4	103	4.000	102	4.375	111	4.187	106	4.000	102

PART NUMBER	NOMINAL SIZE		GASKET CODE	INSERT CODE	SCREW CODE	M.FEET CODE	VOLUME	
	(in)	(mm)					(cu. in)	(cu. cm)
JB 444	4	103	072491	072538(4) 072539(2)	072522(4) 072513(2)	097747	56.0	917

COVER DIMENSIONS



Filename: KRALOY-24.doc
Directory: \\Bersrvbdc\bergen\QC MANUAL
Template: C:\Documents and Settings\joelau\Application
Data\Microsoft\Templates\Normal.dot
Title: SOCKET DIMENSION
Subject:
Author: joe lau
Keywords:
Comments:
Creation Date: 1/2/2001 10:26 AM
Change Number: 11
Last Saved On: 4/14/2004 3:45 PM
Last Saved By: Joe Lau
Total Editing Time: 11 Minutes
Last Printed On: 8/8/2005 12:35 PM
As of Last Complete Printing
Number of Pages: 1
Number of Words: 56 (approx.)
Number of Characters: 324 (approx.)