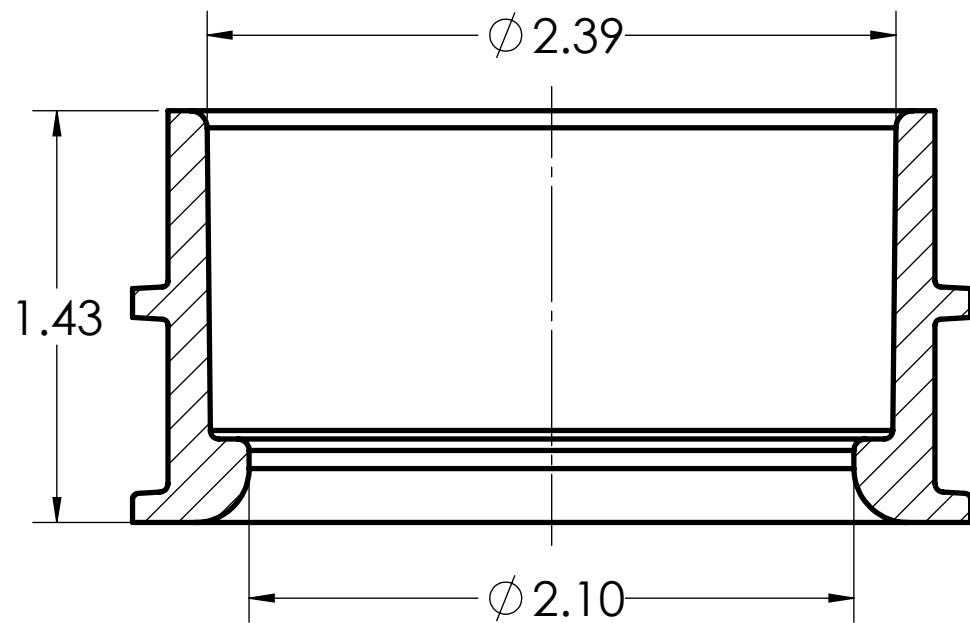
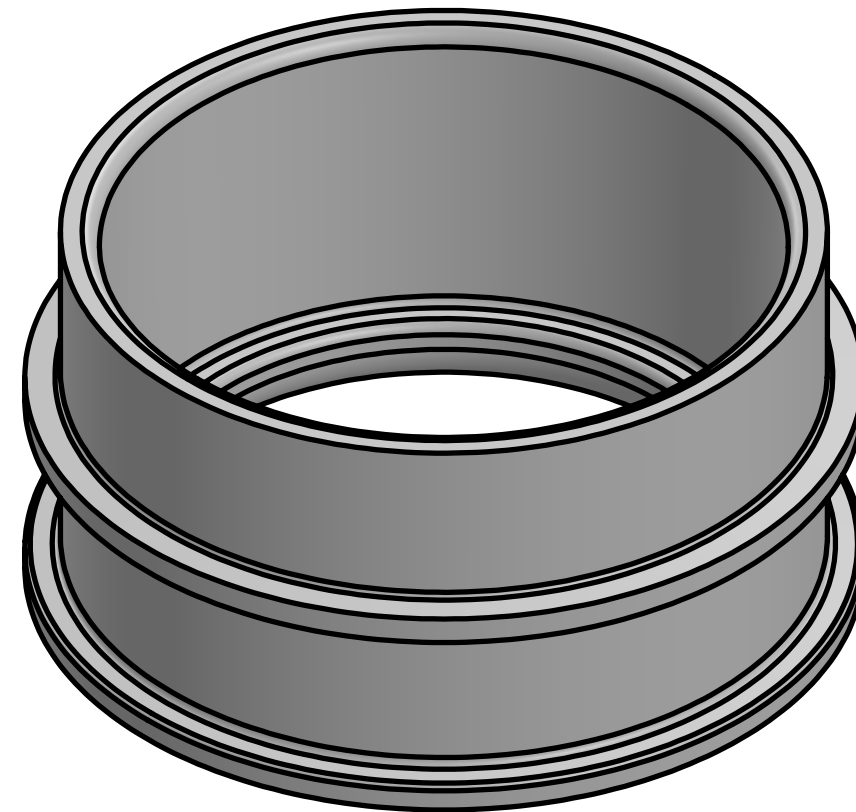
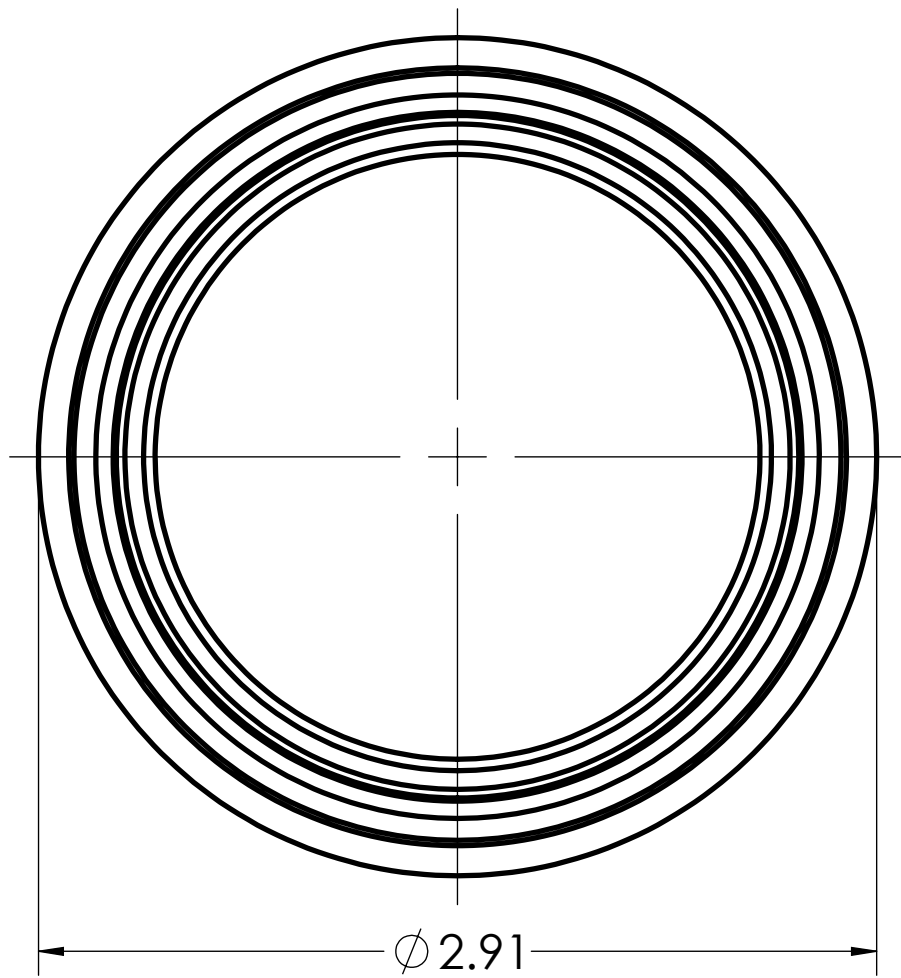


DIMENSIONS SHOWN ARE FOR REFERENCE AND ARE SUBJECT TO CHANGE WITHOUT NOTICE		
Kraloy, a Division of Multi Fittings Corp. under license		
PART DESCRIPTION MEB20 2" PVC MLD END BELL KRALOY		
PRODUCT CODE: 078293	UNIT: INCHES UNLESS DUAL DIMENSION: INCH [METRIC]	SCALE: NTS
DRAWN:	A.R.	



DIMENSIONS SHOWN ARE FOR REFERENCE AND ARE SUBJECT TO CHANGE WITHOUT NOTICE		
Kraloy, a Division of Multi Fittings Corp. under license		
PART DESCRIPTION MEB20 2" PVC MLD END BELL KRALOY		
PRODUCT CODE: 078293	UNIT: INCHES UNLESS DUAL DIMENSION: INCH [METRIC]	SCALE: NTS
DRAWN:	A.R.	