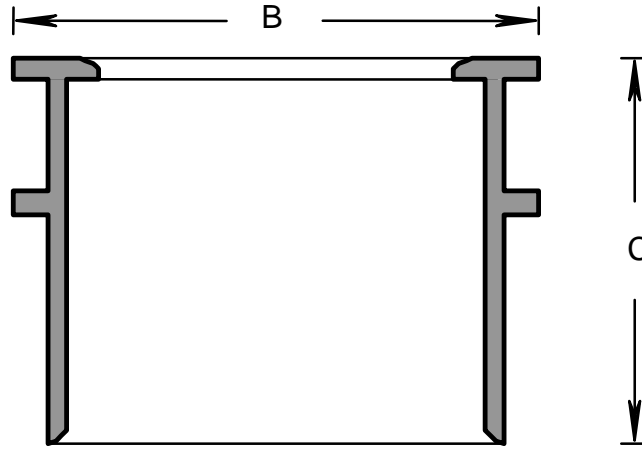


PRODUCT CODE	PART NUMBER	NOMINAL SIZE		B		C	
		(in)	(mm)	(in)	(mm)	(in)	(mm)
078288	MEB05	1/2	16	1.290	33	0.965	25
078289	MEB07	3/4	21	1.500	38	1.050	27
078290	MEB10	1	27	1.745	44	1.120	29
078291	MEB12	1 1/4	35	2.085	53	1.200	31
078292	MEB15	1 1/2	41	2.500	64	1.400	36
078293	MEB20	2	53	3.050	77	1.440	37
078294	MEB25	2 1/2	63	3.585	91	1.790	45
078295	MEB30	3	78	3.846	98	1.920	49
078296	MEB35	3 1/2	91	4.426	112	2.005	51
078297	MEB40	4	103	4.900	124	2.190	56
078298	MEB50	5	129	6.187	157	2.375	60
078299	MEB60	6	155	7.187	183	2.562	65



PRODUCT CODE	PART NUMBER	NOMINAL SIZE		B		C	
		(in)	(mm)	(in)	(mm)	(in)	(mm)
078288	MEB05	1/2	16	1.290	33	0.965	25
078289	MEB07	3/4	21	1.500	38	1.050	27
078290	MEB10	1	27	1.745	44	1.120	29
078291	MEB12	1 1/4	35	2.085	53	1.200	31
078292	MEB15	1 1/2	41	2.500	64	1.400	36
078293	MEB20	2	53	3.050	77	1.440	37
078294	MEB25	2 1/2	63	3.585	91	1.790	45
078295	MEB30	3	78	3.846	98	1.920	49
078296	MEB35	3 1/2	91	4.426	112	2.005	51
078297	MEB40	4	103	4.900	124	2.190	56
078298	MEB50	5	129	6.187	157	2.375	60
078299	MEB60	6	155	7.187	183	2.562	65