

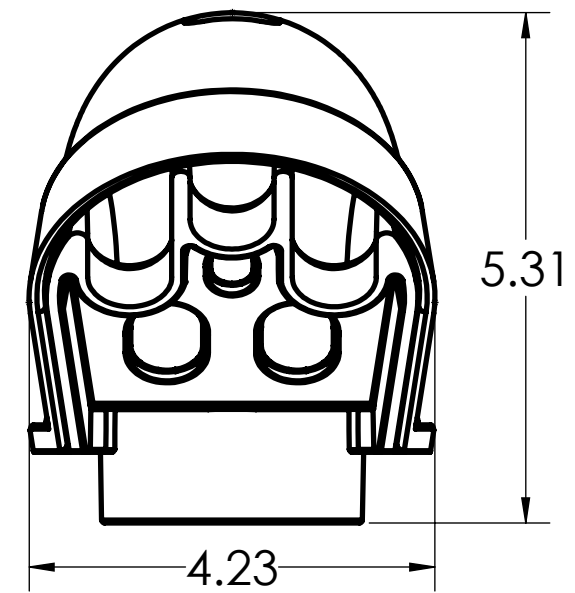
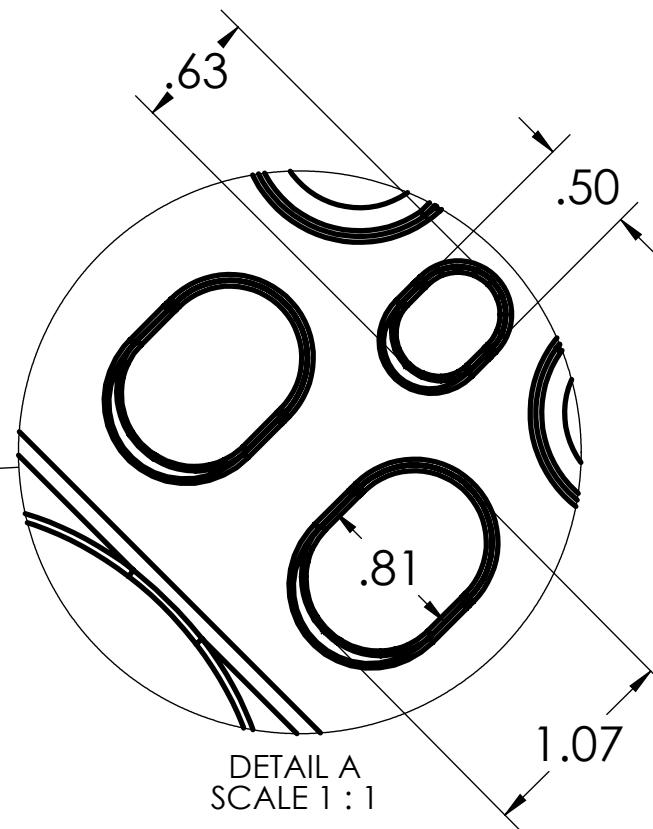
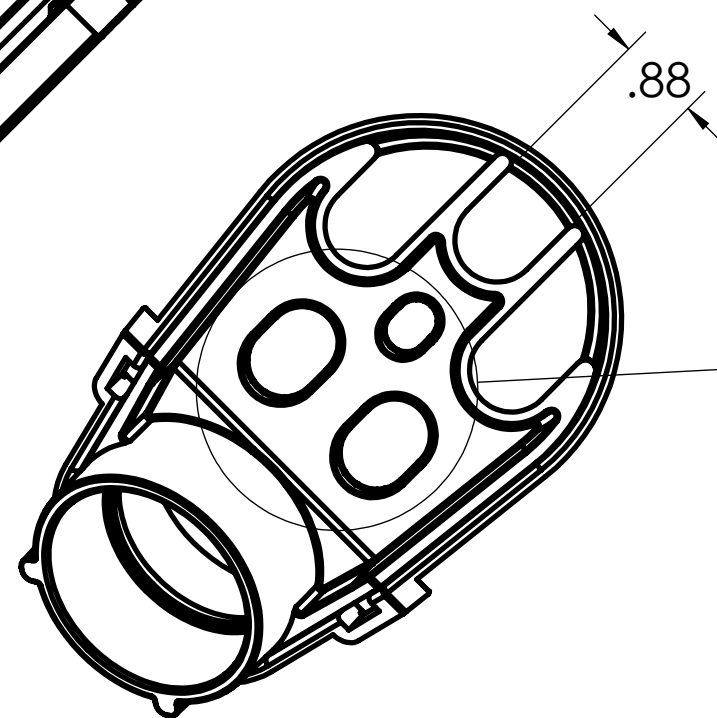
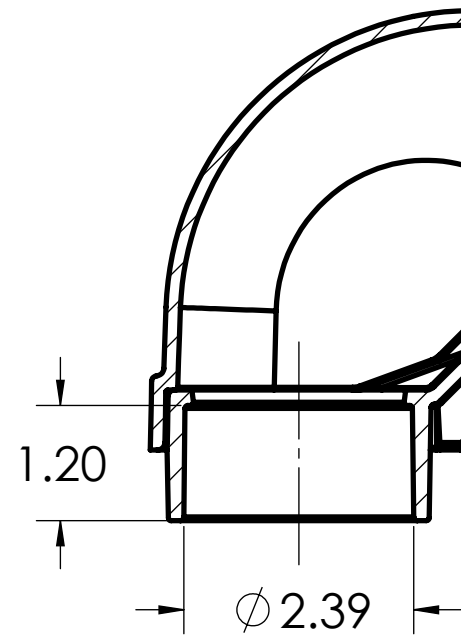
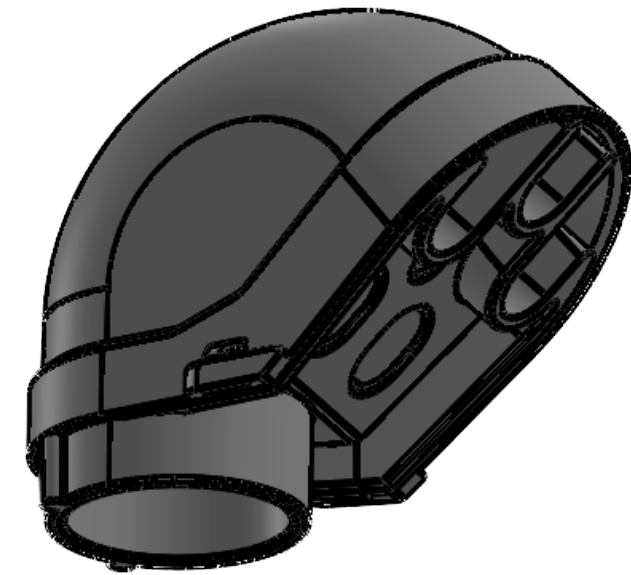
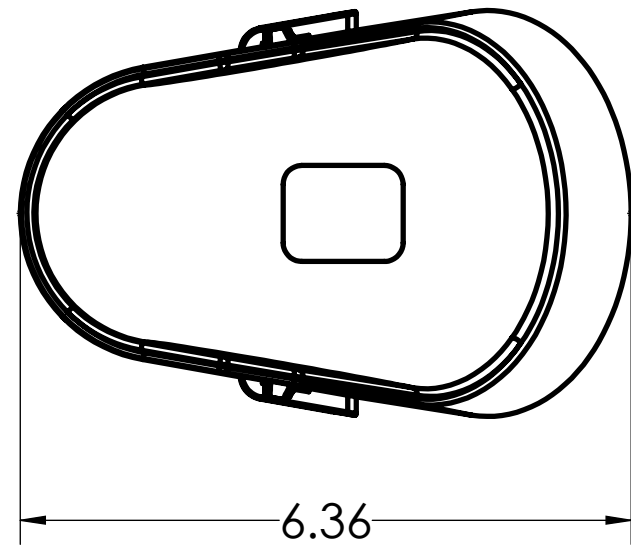
DIMENSIONS SHOWN ARE FOR REFERENCE AND ARE SUBJECT TO CHANGE WITHOUT NOTICE

IPEX Technologies Inc.

PART DESCRIPTION
EF35 2" PVC SERVICE ENTRANCE FITTING SCEPTER

PRODUCT CODE: 078307	UNIT: INCHES UNLESS DUAL DIMENSION: INCH [METRIC]	SCALE: NTS
-------------------------	--	---------------

DRAWN: S.I.



DIMENSIONS SHOWN ARE FOR REFERENCE AND ARE SUBJECT TO CHANGE WITHOUT NOTICE

IPEX Technologies Inc.

PART DESCRIPTION
EF35 2" PVC SERVICE ENTRANCE FITTING SCEPTER

PRODUCT CODE: 078307	UNIT: INCHES UNLESS DUAL DIMENSION: INCH [METRIC]	SCALE: NTS
-------------------------	--	---------------

DRAWN: S.I.