

CSA, ULI

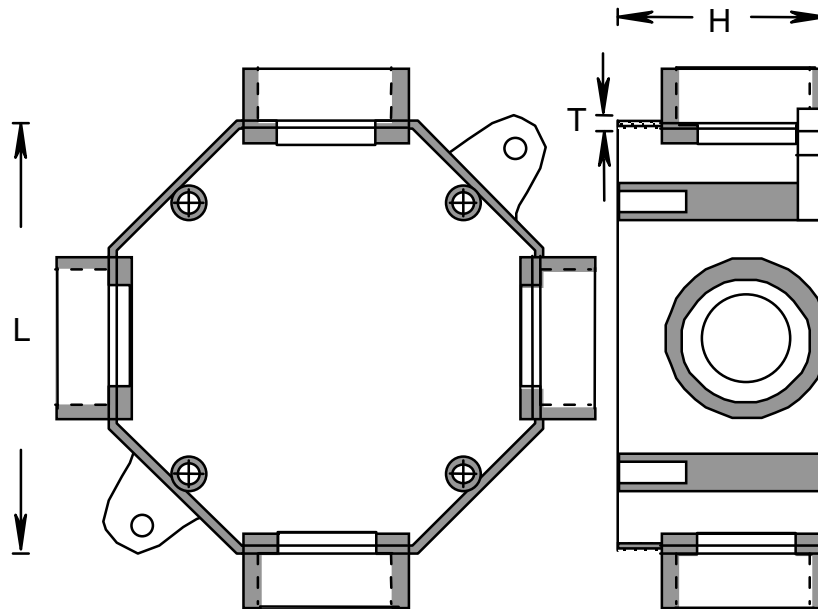
RIGID PVC CONDUIT FITTINGS - KRALOY

OCTAGONAL BOXES

ISSUE DATE:
DATE D'EMISSION: 2004 01 15

SUPERCEDES:
REPLACE: 2001 07 20

2



PRODUCT CODE	PART NUMBER	NOMINAL SIZE		L		H		T	
		(in)	(mm)	(in)	(mm)	(in)	(mm)	(in)	(mm)
078414	OB401505/07	3/4	21	4	101.6	1.680	42.7	0.110	2.8
078415	OB402010	1	27	4	101.6	2.250	57.2	0.150	3.8
178053	OB401505/07	3/4	21	4	101.6	1.680	42.7	0.110	2.8

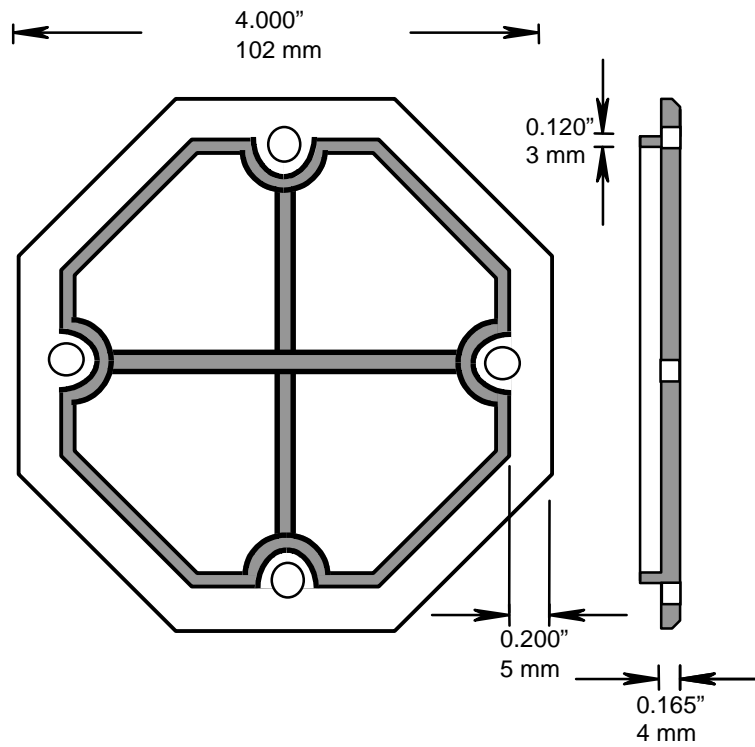
PRODUCT CODE	PART NUMBER	NOMINAL SIZE		VOLUME	
		(in)	(mm)	(cubic in)	(cubic cm)
078414	OB401505/07	3/4	21	15.5	254.2
078415	OB402010	1	27	21.5	352.6
178053	OB401505/07	3/4	21	15.5	254.2

PRODUCT CODE	PART NUMBER	NOMINAL SIZE		GASKET CODE	COVER CODE	INSERT CODE	SCREW CODE	REDUCER CODE
		(in)	(mm)					
078414	OB401505/07	3/4	21	097993(1)		072538(4) 072539(1)	072522(4)	097554(4)
078415	OB402010	1	27	097993(1)	097986(1)	072538(4) 072539(1)	072522(4)	
178053	OB401505/07	3/4	21	097993(1)		072538(4) 072539(1)	072522(4)	097554(4)

COMES WITH 10-32x5/16 HEX HEAD COMB SCREW (072511), AND BW5 BRASS WASHER (072546)

OCTAGONAL BOXES COVER

097986



Filename: KRALOY-40.doc
Directory: \\Bersrvbdc\bergen\QC MANUAL
Template: C:\Documents and Settings\joelau\Application
Data\Microsoft\Templates\Normal.dot
Title: SOCKET DIMENSION
Subject:
Author: joe lau
Keywords:
Comments:
Creation Date: 1/2/2001 1:31 PM
Change Number: 5
Last Saved On: 1/19/2004 12:44 PM
Last Saved By: Joe Lau
Total Editing Time: 5 Minutes
Last Printed On: 8/8/2005 12:32 PM
As of Last Complete Printing
Number of Pages: 2
Number of Words: 143 (approx.)
Number of Characters: 816 (approx.)

CSA, ULI

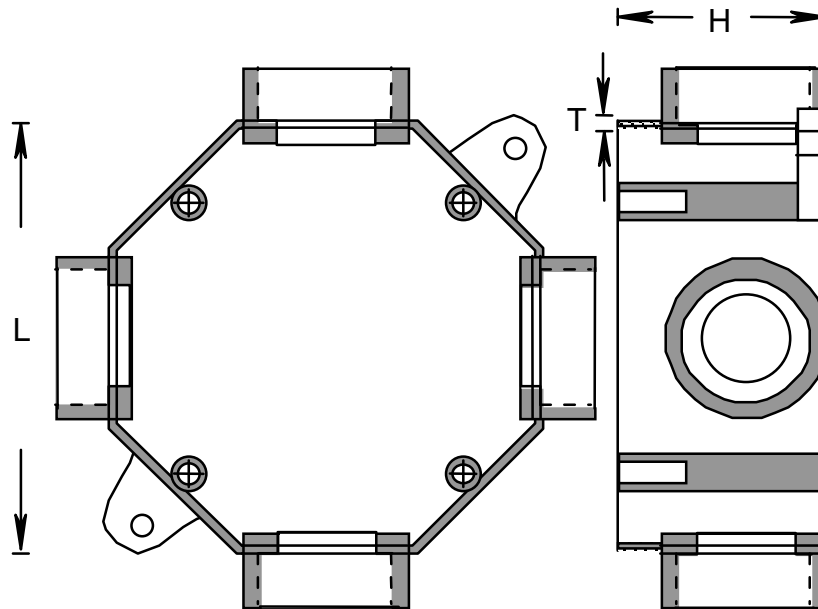
RIGID PVC CONDUIT FITTINGS - KRALOY

OCTAGONAL BOXES

ISSUE DATE:
DATE D'EMISSION: 2004 01 15

SUPERCEDES:
REPLACE: 2001 07 20

2



PRODUCT CODE	PART NUMBER	NOMINAL SIZE		L		H		T	
		(in)	(mm)	(in)	(mm)	(in)	(mm)	(in)	(mm)
078414	OB401505/07	3/4	21	4	101.6	1.680	42.7	0.110	2.8
078415	OB402010	1	27	4	101.6	2.250	57.2	0.150	3.8
178053	OB401505/07	3/4	21	4	101.6	1.680	42.7	0.110	2.8

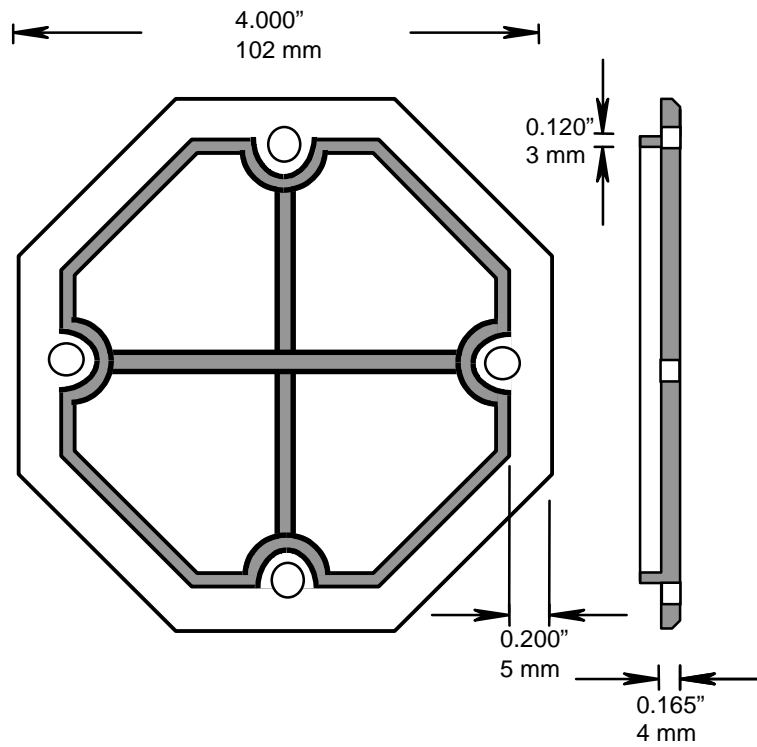
PRODUCT CODE	PART NUMBER	NOMINAL SIZE		VOLUME	
		(in)	(mm)	(cubic in)	(cubic cm)
078414	OB401505/07	3/4	21	15.5	254.2
078415	OB402010	1	27	21.5	352.6
178053	OB401505/07	3/4	21	15.5	254.2

PRODUCT CODE	PART NUMBER	NOMINAL SIZE		GASKET CODE	COVER CODE	INSERT CODE	SCREW CODE	REDUCER CODE
		(in)	(mm)					
078414	OB401505/07	3/4	21	097993(1)		072538(4) 072539(1)	072522(4)	097554(4)
078415	OB402010	1	27	097993(1)	097986(1)	072538(4) 072539(1)	072522(4)	
178053	OB401505/07	3/4	21	097993(1)		072538(4) 072539(1)	072522(4)	097554(4)

COMES WITH 10-32x5/16 HEX HEAD COMB SCREW (072511), AND BW5 BRASS WASHER (072546)

OCTAGONAL BOXES COVER

097986



Filename: KRALOY-40.doc
Directory: \\Bersrvbdc\bergen\QC MANUAL
Template: C:\Documents and Settings\joelau\Application
Data\Microsoft\Templates\Normal.dot
Title: SOCKET DIMENSION
Subject:
Author: joe lau
Keywords:
Comments:
Creation Date: 1/2/2001 1:31 PM
Change Number: 5
Last Saved On: 1/19/2004 12:44 PM
Last Saved By: Joe Lau
Total Editing Time: 5 Minutes
Last Printed On: 8/8/2005 12:32 PM
As of Last Complete Printing
Number of Pages: 2
Number of Words: 143 (approx.)
Number of Characters: 816 (approx.)