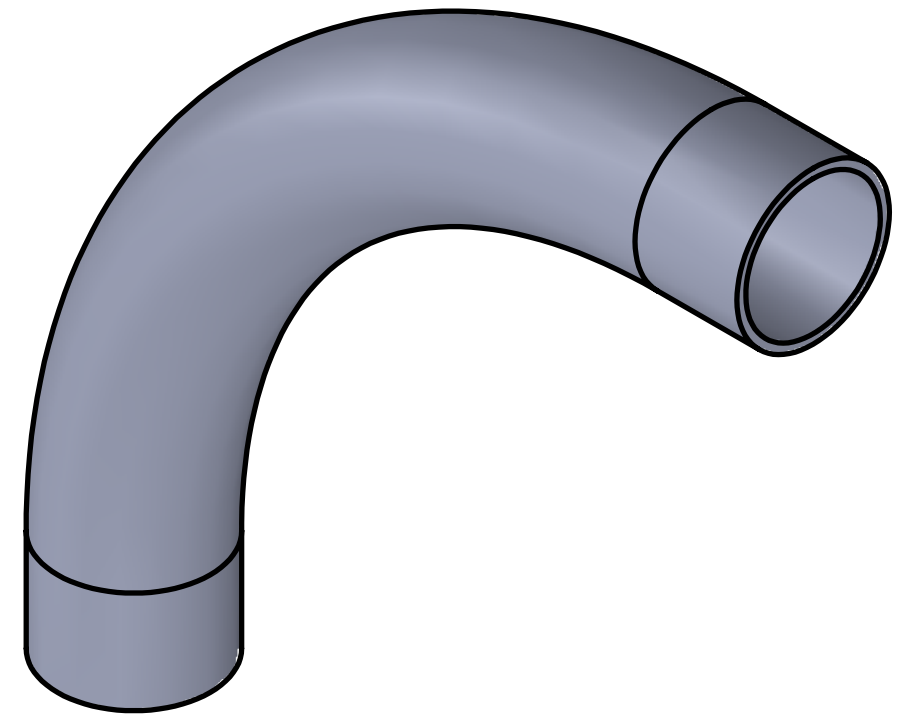
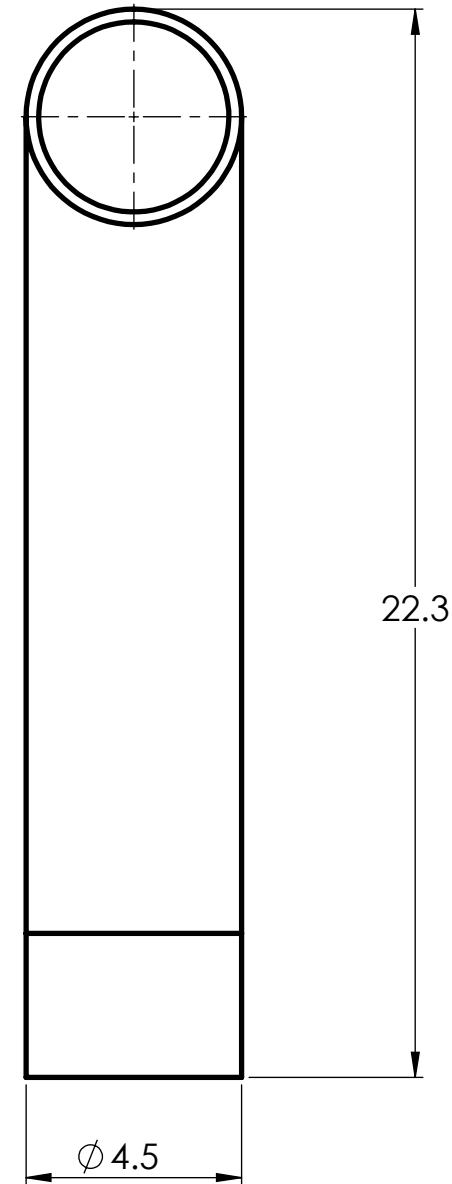
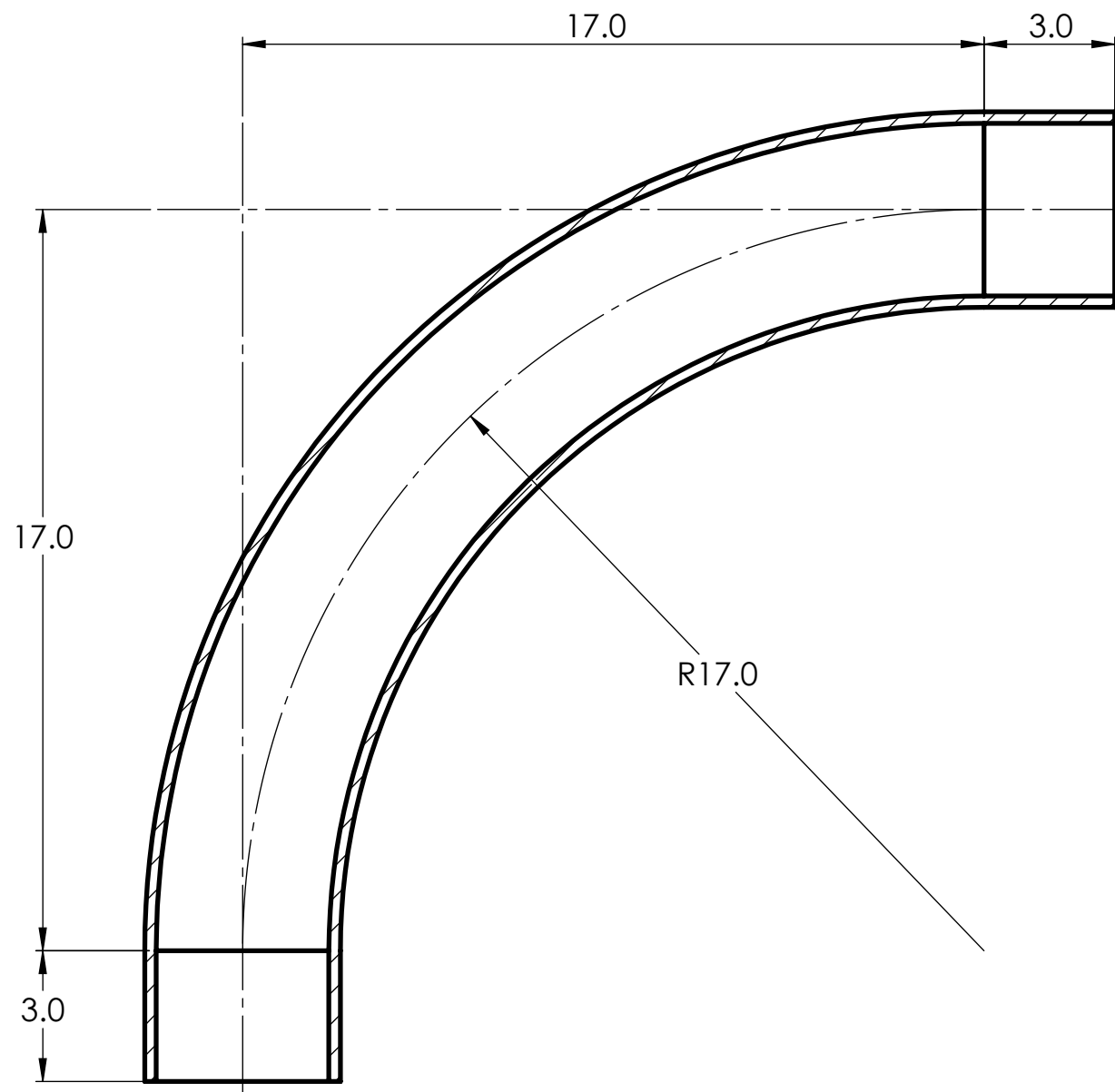


PLASTIC/RUBBER SIZES

SIZES SHOWN ARE FOR REFERENCE 3D MODEL IS TO BE USED FOR MANUFACTURING / VERIFICATION		ALL CHANGES MUST BE APPROVED AND RECORDED BY ENGINEERING	
UNIT: INCHES UNLESS DUAL DIMENSION: INCH [METRIC]	PROJECTION 	Kraloy, a Division of Multi Fittings Corp. under license	
THIS DRAWING AND ALL TECHNICAL INFORMATION APPEARING HEREON ARE PROPERTY OF MULTI FITTINGS CORP. AND MUST BE KEPT IN CONFIDENCE BY THE RECIPIENT. THE SAME MAY NOT BE USED OR REPRODUCED EITHER IN WHOLE OR IN PART WITHOUT THE EXPRESS CONSENT OF MULTI FITTINGS CORP.		TITLE 40STD4090 4"x90D PVC STD ELBOW SPxSP SCH40 KRALOY	
PAPER SIZE ANSI B	NAME	DATE	SCALE: NA
PART APPEARANCE:	COLOR:	DRAWN	09/09/2020
SURFACE FINISHES: (UNLESS OTHERWISE NOTED)		APP'D	MAT'L:
INSIDE:	(UNLESS OTHERWISE SPECIFIED)	DIMENSIONS ARE IN INCHES TOLERANCES FRACTIONAL ± 1/32 .XX ± 0.015 .XXX ± 0.010 .XXXX ± 0.005 ANGULAR ± 1.0	
OUTSIDE:	CRITICAL DIMENSIONS ARE SHOWN AS **DIM**	PRODUCT CODE: 078549	
OTHER:	REFERENCE DIMENSIONS ARE SHOWN WITH REF. NOTE	PROJECT No.	
FILENAME:	FOLDER:		



PLASTIC/RUBBER SIZES

<p>SIZES SHOWN ARE FOR REFERENCE 3D MODEL IS TO BE USED FOR MANUFACTURING / VERIFICATION</p>				<p>ALL CHANGES MUST BE APPROVED AND RECORDED BY ENGINEERING</p>			
<p>UNIT: INCHES UNLESS DUAL DIMENSION: INCH [METRIC]</p>		<p>PROJECTION </p>		<p>Kraloy, a Division of Multi Fittings Corp. under license</p>			
<p>THIS DRAWING AND ALL TECHNICAL INFORMATION APPEARING HEREON ARE PROPERTY OF MULTI FITTINGS CORP. AND MUST BE KEPT IN CONFIDENCE BY THE RECIPIENT. THE SAME MAY NOT BE USED OR REPRODUCED EITHER IN WHOLE OR IN PART WITHOUT THE EXPRESS CONSENT OF MULTI FITTINGS CORP.</p>				<p>TITLE 40STD4090 4"x90D PVC STD ELBOW SPxSP SCH40 KRALOY</p>			
<p>PAPER SIZE ANSI B</p>		<p>NAME</p>		<p>DATE</p>		<p>SCALE: NA</p>	
<p>PART APPEARANCE:</p>		<p>COLOR:</p>		<p>DRAWN</p>		<p>09/09/2020</p>	
<p>SURFACE FINISHES: (UNLESS OTHERWISE NOTED)</p>				<p>APP'D</p>		<p>MAT'L:</p>	
<p>INSIDE:</p>		<p>OUTSIDE:</p>		<p>OTHER:</p>		<p>DIMENSIONS ARE IN INCHES TOLERANCES (UNLESS OTHERWISE SPECIFIED) FRACTIONAL ± 1/32 .XX ± 0.015 .XXX ± 0.010 .XXXX ± 0.005 ANGULAR ± 1.0</p>	
<p>FILENAME:</p>				<p>FOLDER:</p>			
				<p>CRITICAL DIMENSIONS ARE SHOWN AS **DIM**</p>		<p>PRODUCT CODE: 078549</p>	
				<p>REFERENCE DIMENSIONS ARE SHOWN WITH REF. NOTE</p>		<p>PROJECT No.</p>	