

THIS ITEM IS FABRICATED AND AS SUCH MAY HAVE VARYING DIMENSIONS
DUE TO DIFFERENT MANUFACTURING PROCESSES

DIMENSIONS SHOWN ARE FOR REFERENCE AND ARE SUBJECT TO CHANGE
WITHOUT NOTICE

Kraloy, a Division of Multi Fittings Corp.
under license

PART DESCRIPTION

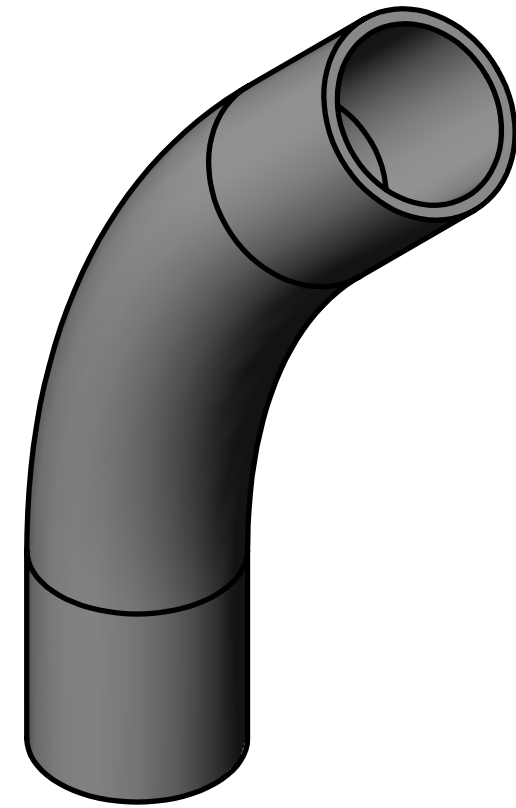
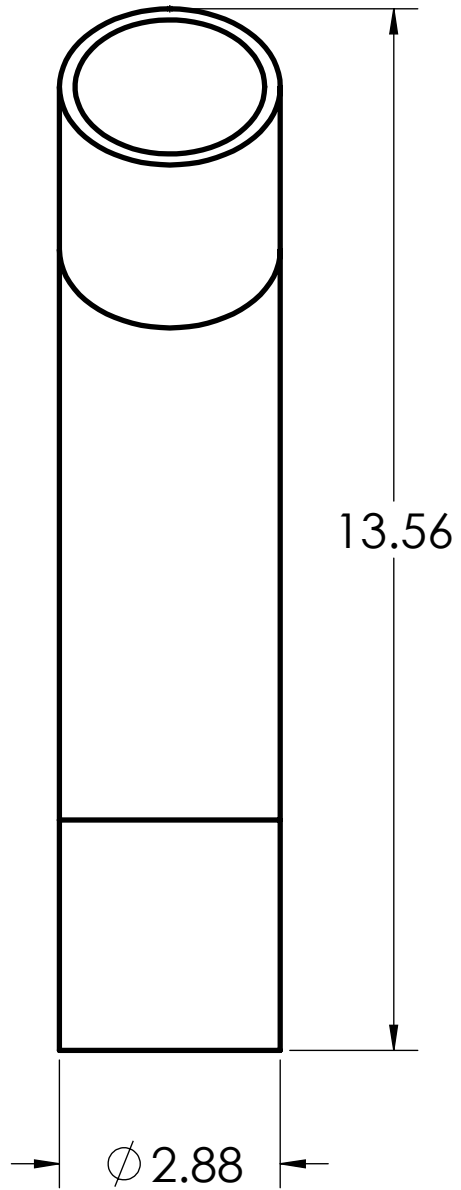
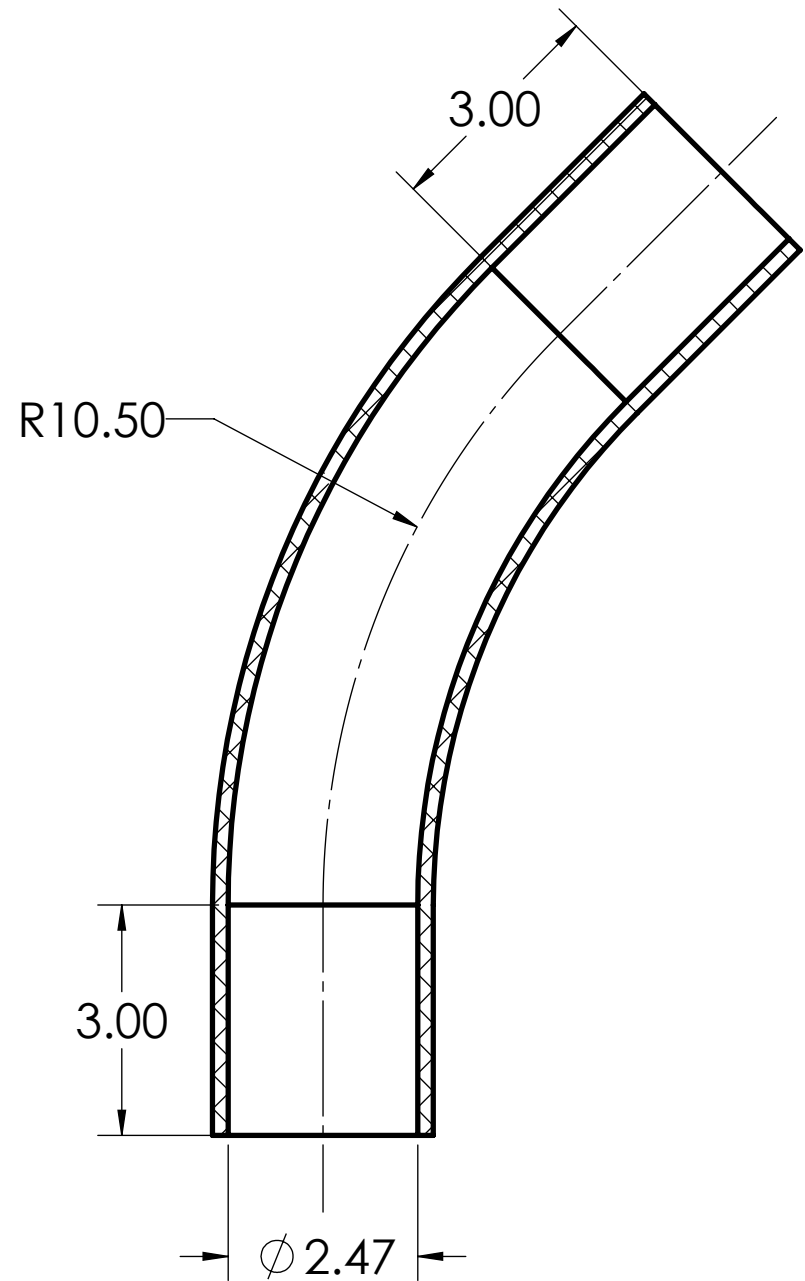
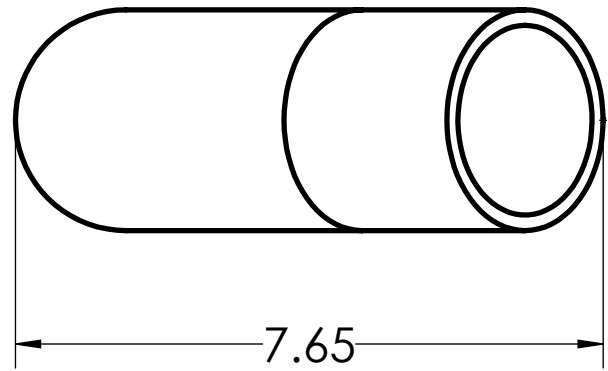
40STD2545 2 1/2"x45D PVC STD ELBOW SPxSP SCH40 KRALOY

PRODUCT CODE:
078558

UNIT: INCHES UNLESS
DUAL DIMENSION: INCH [METRIC]

SCALE:
NTS

DRAWN: A.R.



THIS ITEM IS FABRICATED AND AS SUCH MAY HAVE VARYING DIMENSIONS
DUE TO DIFFERENT MANUFACTURING PROCESSES

DIMENSIONS SHOWN ARE FOR REFERENCE AND ARE SUBJECT TO CHANGE
WITHOUT NOTICE

Kraloy, a Division of Multi Fittings Corp.
under license

PART DESCRIPTION

40STD2545 2 1/2"x45D PVC STD ELBOW SPxSP SCH40 KRALOY

PRODUCT CODE:
078558

UNIT: INCHES UNLESS
DUAL DIMENSION: INCH [METRIC]

SCALE:
NTS

DRAWN: A.R.