



OLF

LED Security Floodlight with Motion Sensor



Catalog Number

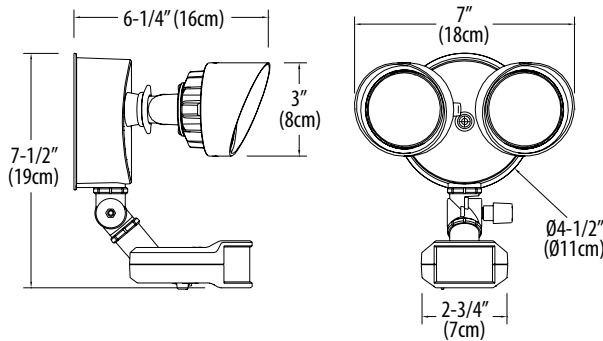
Notes

Type

Hit the Tab key or mouse over the page to see all interactive elements.

Specifications

Width:	7.00" (17.8 cm)
Height:	7.5" (19.1 cm)
Depth:	6.25" (15.9 cm)
Weight:	1.5 lbs. (0.68 kg)
Lumen Output:	2,160
Input Power:	25W
Efficacy:	86 Lumens per Watt
Input voltage:	120V



Introduction

The OLF LED security floodlight combines energyefficient LEDs with motion sensing (or occupancy sensing) technology. OLF motion response feature includes 180 degree range, 70 feet forward detection, sensitivity adjustment switch and a test / time switch to adjust the duration to stay illuminated when motion is detected.

OLF 2RH contains two round heads delivering 2,160 lumens using only 25W power. OLF 2RH replaces up to two 90W PAR incandescent lamps and saves 86% energy. A built-in photocell prevents daylight operation, and reduces energy costs further. OLF family is the ideal solution for residential and commercial security floodlighting applications.

Ordering Information

EXAMPLE: OLF 2RH 40K 120 MO DDB

OLF	Series	Number of heads	Color Temperature ¹	Voltage	Control	Finish
OLF	2RH	2 heads, round	40K 4000K ¹	120 120 volts	MO PIR motion detection with photocell	DDB Dark Bronze WH White

Complete list of configurations available:

OLF 2RH 40K 120 MO DDB

OLF 2RH 40K 120 MO WH

NOTES

1. Correlated color temperature (CCT) shown is nominal per ANSI C78, 377-2008.
2. LED lifespan based on IESNA LM-80-08 results and calculated per IESNA TM-21-11 methodology.

FEATURES & SPECIFICATIONS

INTENDED USE

OLF security floodlights are ideal for an energy-efficient replacement of two 90W incandescent security lights. The OLF LED provides over 10 years of maintenance-free general illumination for outdoor applications. OLF 2RH with MO (motion sensor) option turns LEDs on when occupants in the space are detected. Ideal for entrances, walkways, corridors, yards, driveways and patios.

CONSTRUCTION

Cast-aluminum housing with dark bronze or white polyester powder paint for lasting durability. Motion sensor features thermo-plastic housing. LED lamp heads are thermally isolated from the driver that is located in the rear housing, promoting a long service life. Lenses are sealed to prolong service life. LEDs maintain 70% of light output at 50,000 hours of service life.

ELECTRICAL

Consumes 25W power, 120V input. 60Hz driver. The motion sensor turns LEDs on when occupancy is detected within the space. Detection angle is 180 degrees with a detection range of up to 70ft in forward detection. A built-in photocell is included for dusk-to-dawn operation. See diagram and installation instructions for more information. Rated for outdoor installations, -40°C minimum ambient temperature.

INSTALLATION

Mounts to a recessed junction box on wall or ceiling. Crossbar and hardware provided. Wet location listed for mounting 4 feet above ground. Tool-less adjustable heads allow for precise aiming. Neighbor-friendly visors are adjustable or removable.

LISTINGS

UL/cUL listed to U.S. and Canadian safety standards for wet locations. Tested in accordance with IESNA LM-79 and LM-80 standards.

WARRANTY

Five-year limited warranty. This is the only warranty provided and no other statements in this specification sheet create any warranty of any kind. All other express and implied warranties are disclaimed. Complete warranty terms located at:

www.acuitybrands.com/support/warranty/terms-and-conditions

Note: Actual performance may differ as a result of end-user environment and application. All values are design or typical values, measured under laboratory conditions at 25 °C. Specifications subject to change without notice.



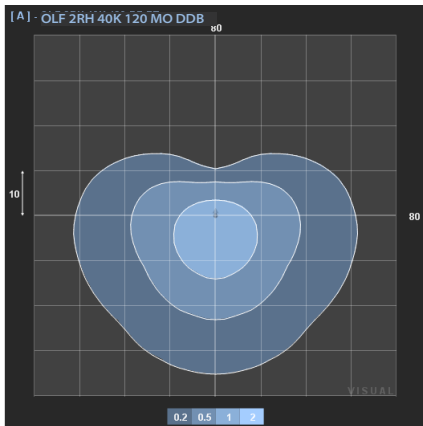
COMMERCIAL OUTDOOR

One Lithonia Way • Conyers, Georgia 30012 • Phone: 1-800-705-SERV (7378) • www.lithonia.com
© 2018-2019 Acuity Brands Lighting, Inc. All rights reserved.

OLF 2RH MO
Rev. 11/06/24

LEGEND

- 0.1 fc
- 0.2 fc
- 0.5 fc
- 1.0 fc



OLF MO version features a motion / occupancy sensor and photocell combination head (Please refer to installation instructions for more information).





OLF

LED Security Floodlight with Motion Sensor



Catalog Number

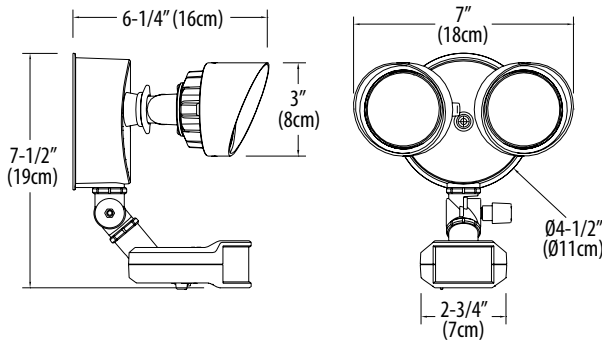
Notes

Type

Hit the Tab key or mouse over the page to see all interactive elements.

Specifications

Width:	7.00" (17.8 cm)
Height:	7.5" (19.1 cm)
Depth:	6.25" (15.9 cm)
Weight:	1.5 lbs. (0.68 kg)
Lumen Output:	2,160
Input Power:	25W
Efficacy:	86 Lumens per Watt
Input voltage:	120V



Introduction

The OLF LED security floodlight combines energyefficient LEDs with motion sensing (or occupancy sensing) technology. OLF motion response feature includes 180 degree range, 70 feet forward detection, sensitivity adjustment switch and a test / time switch to adjust the duration to stay illuminated when motion is detected.

OLF 2RH contains two round heads delivering 2,160 lumens using only 25W power. OLF 2RH replaces up to two 90W PAR incandescent lamps and saves 86% energy. A built-in photocell prevents daylight operation, and reduces energy costs further. OLF family is the ideal solution for residential and commercial security floodlighting applications.

Ordering Information

EXAMPLE: OLF 2RH 40K 120 MO DDB

OLF	Series	Number of heads	Color Temperature ¹	Voltage	Control	Finish
OLF	2RH	2 heads, round	40K 4000K ¹	120 120 volts	MO PIR motion detection with photocell	DDB Dark Bronze WH White

Complete list of configurations available:

OLF 2RH 40K 120 MO DDB

OLF 2RH 40K 120 MO WH

NOTES

1. Correlated color temperature (CCT) shown is nominal per ANSI C78, 377-2008.
2. LED lifespan based on IESNA LM-80-08 results and calculated per IESNA TM-21-11 methodology.

FEATURES & SPECIFICATIONS

INTENDED USE

OLF security floodlights are ideal for an energy-efficient replacement of two 90W incandescent security lights. The OLF LED provides over 10 years of maintenance-free general illumination for outdoor applications. OLF 2RH with MO (motion sensor) option turns LEDs on when occupants in the space are detected. Ideal for entrances, walkways, corridors, yards, driveways and patios.

CONSTRUCTION

Cast-aluminum housing with dark bronze or white polyester powder paint for lasting durability. Motion sensor features thermo-plastic housing. LED lamp heads are thermally isolated from the driver that is located in the rear housing, promoting a long service life. Lenses are sealed to prolong service life. LEDs maintain 70% of light output at 50,000 hours of service life.

ELECTRICAL

Consumes 25W power, 120V input. 60Hz driver. The motion sensor turns LEDs on when occupancy is detected within the space. Detection angle is 180 degrees with a detection range of up to 70ft in forward detection. A built-in photocell is included for dusk-to-dawn operation. See diagram and installation instructions for more information. Rated for outdoor installations, -40°C minimum ambient temperature.

INSTALLATION

Mounts to a recessed junction box on wall or ceiling. Crossbar and hardware provided. Wet location listed for mounting 4 feet above ground. Tool-less adjustable heads allow for precise aiming. Neighbor-friendly visors are adjustable or removable.

LISTINGS

UL/cUL listed to U.S. and Canadian safety standards for wet locations. Tested in accordance with IESNA LM-79 and LM-80 standards.

WARRANTY

Five-year limited warranty. This is the only warranty provided and no other statements in this specification sheet create any warranty of any kind. All other express and implied warranties are disclaimed. Complete warranty terms located at:

www.acuitybrands.com/support/warranty/terms-and-conditions

Note: Actual performance may differ as a result of end-user environment and application. All values are design or typical values, measured under laboratory conditions at 25 °C. Specifications subject to change without notice.



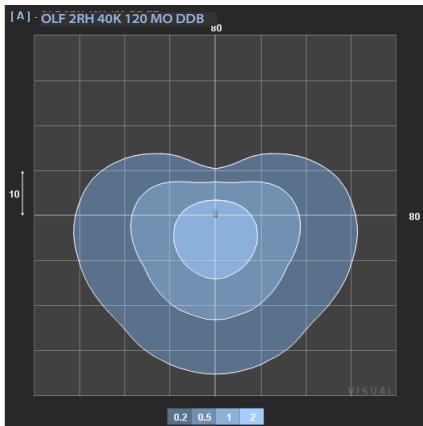
COMMERCIAL OUTDOOR

One Lithonia Way • Conyers, Georgia 30012 • Phone: 1-800-705-SERV (7378) • www.lithonia.com
© 2018-2019 Acuity Brands Lighting, Inc. All rights reserved.

OLF 2RH MO
Rev. 11/06/24

LEGEND

- 0.1 fc
- 0.2 fc
- 0.5 fc
- 1.0 fc



OLF MO version features a motion / occupancy sensor and photocell combination head (Please refer to installation instructions for more information).

