

## FEATURES & SPECIFICATIONS

### INTENDED USE

Provides maintenance-free general illumination for outdoor use in residential and commercial applications such as retail, education, multi-unit housing and storage. Ideal for lighting building facades, parking areas, walkways, garages, loading areas and any other outdoor space requiring reliable security lighting.

### CONSTRUCTION

Sturdy weather-resistant aluminum housing with a dark bronze finish.

High performance LEDs are powered by an MVOLT driver providing 2720 and 3970 delivered lumens at 5000K. 100,000 hours LED lifespan based on IESNA LM-80-08 results and calculated per IESNA TM-21-11 methodology. Fixture is maintenance-free.

Rated for outdoor installations -40°C minimum ambient.

Adjustable Dusk-to-Dawn, photocell standard automatically turns light on at dusk and off at dawn for convenience and energy savings.

Photocell can be disabled by rotating the photocell cover.

### OPTICS

Precision-molded acrylic lenses provide optimal luminaire spacing with Type 3 distribution.

Nighttime Friendly™ full cutoff above 90° angle, standard.

### INSTALLATION

Wall or arm mount (mounting arm sold separately).

All mounting hardware included.

### LISTINGS

UL Certified to US safety standards. C-UL Certified to Canadian safety standards. Wet location listed.

Tested in accordance with IESNA LM-79 and LM-80 standards. DLC qualified product.

### WARRANTY

5-year limited warranty. Complete warranty terms located at

[www.acuitybrands.com/CustomerResources/Terms\\_and\\_conditions.aspx](http://www.acuitybrands.com/CustomerResources/Terms_and_conditions.aspx)

Actual performance may differ as a result of end-user environment and application.

All values are design or typical values, measured under laboratory conditions at 25 °C.

NOTE: Specifications are subject to change without notice.

Catalog Number
Notes
Type

### Outdoor General Purpose

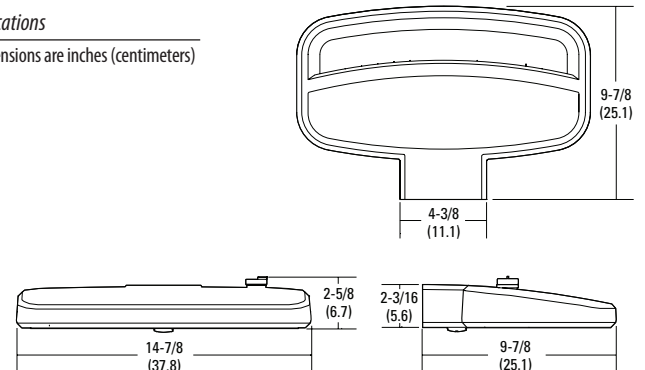
# OLW

## LED WALL PACK



### Specifications

All dimensions are inches (centimeters)



### ORDERING INFORMATION

For shortest lead times, configure products using **bolded options**.

**Example: OLW 23**

Series	Lumens / Color temperature (CCT)	Voltage	Features	Finish
<b>OLW</b> LED Wall Light	<b>23</b> 2720 delivered lumens / 5000K <sup>1</sup> <b>31</b> 3970 delivered lumens / 5000K <sup>1</sup>	<b>(blank)</b> MVOLT (120V-277V)	<b>(blank)</b> Photocell included	<b>(blank)</b> DDB Dark Bronze

**Accessories:** Order as separate catalog number.

OMA 18 DDB U 18" Steel mounting arm

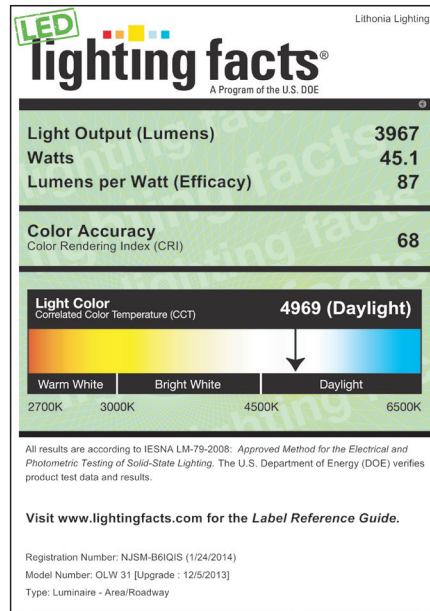
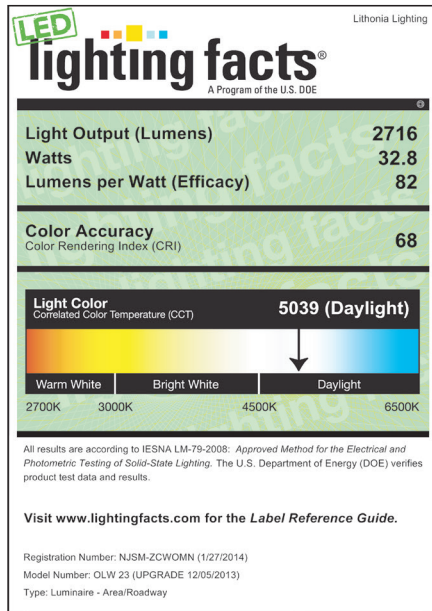
### Notes

1 Correlated Color Temperature (CCT) shown is nominal per ANSI C78,377-2008.

# OLW LED Wall Light

## PHOTOMETRICS

Full photometric data report available within 2 weeks from request. Consult factory.  
Tested in accordance with IESNA LM-79 and LM-80 standards.



## FEATURES & SPECIFICATIONS

### INTENDED USE

Provides maintenance-free general illumination for outdoor use in residential and commercial applications such as retail, education, multi-unit housing and storage. Ideal for lighting building facades, parking areas, walkways, garages, loading areas and any other outdoor space requiring reliable security lighting.

### CONSTRUCTION

Sturdy weather-resistant aluminum housing with a dark bronze finish.

High performance LEDs are powered by an MVOLT driver providing 2720 and 3970 delivered lumens at 5000K. 100,000 hours LED lifespan based on IESNA LM-80-08 results and calculated per IESNA TM-21-11 methodology. Fixture is maintenance-free.

Rated for outdoor installations -40°C minimum ambient.

Adjustable Dusk-to-Dawn, photocell standard automatically turns light on at dusk and off at dawn for convenience and energy savings.

Photocell can be disabled by rotating the photocell cover.

### OPTICS

Precision-molded acrylic lenses provide optimal luminaire spacing with Type 3 distribution.

Nighttime Friendly™ full cutoff above 90° angle, standard.

### INSTALLATION

Wall or arm mount (mounting arm sold separately).

All mounting hardware included.

### LISTINGS

UL Certified to US safety standards. C-UL Certified to Canadian safety standards. Wet location listed.

Tested in accordance with IESNA LM-79 and LM-80 standards. DLC qualified product.

### WARRANTY

5-year limited warranty. Complete warranty terms located at

[www.acuitybrands.com/CustomerResources/Terms\\_and\\_conditions.aspx](http://www.acuitybrands.com/CustomerResources/Terms_and_conditions.aspx)

Actual performance may differ as a result of end-user environment and application.

All values are design or typical values, measured under laboratory conditions at 25 °C.

NOTE: Specifications are subject to change without notice.

Catalog Number
Notes
Type

### Outdoor General Purpose

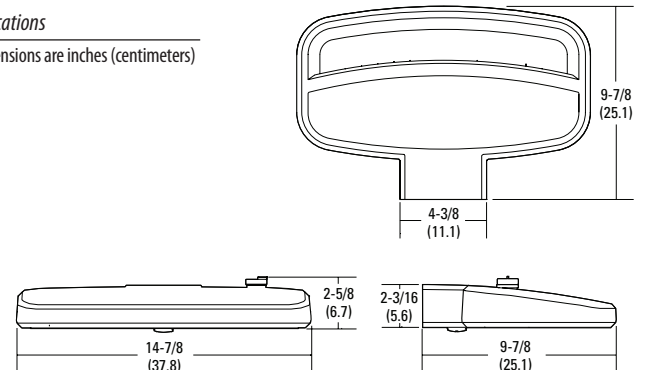
# OLW

## LED WALL PACK



### Specifications

All dimensions are inches (centimeters)



### ORDERING INFORMATION

For shortest lead times, configure products using **bolded options**.

**Example: OLW 23**

Series	Lumens / Color temperature (CCT)	Voltage	Features	Finish
<b>OLW</b> LED Wall Light	<b>23</b> 2720 delivered lumens / 5000K <sup>1</sup> <b>31</b> 3970 delivered lumens / 5000K <sup>1</sup>	<b>(blank)</b> MVOLT (120V-277V)	<b>(blank)</b> Photocell included	<b>(blank)</b> DDB Dark Bronze

**Accessories:** Order as separate catalog number.

OMA 18 DDB U 18" Steel mounting arm

### Notes

1 Correlated Color Temperature (CCT) shown is nominal per ANSI C78,377-2008.

# OLW LED Wall Light

## PHOTOMETRICS

Full photometric data report available within 2 weeks from request. Consult factory.  
Tested in accordance with IESNA LM-79 and LM-80 standards.

