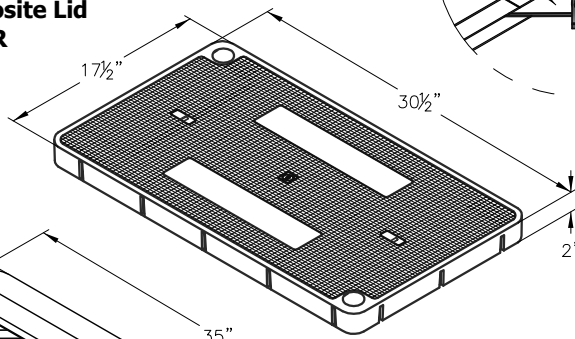


- Etched polypropylene face
- Face anchored in concrete
- Ultra-violet inhibitor
- Exceeds ASTM-D1693 Standards for Environmental Stress Cracking Resistance
- Meets Caltrans #6 State Specifications

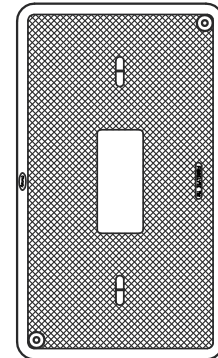
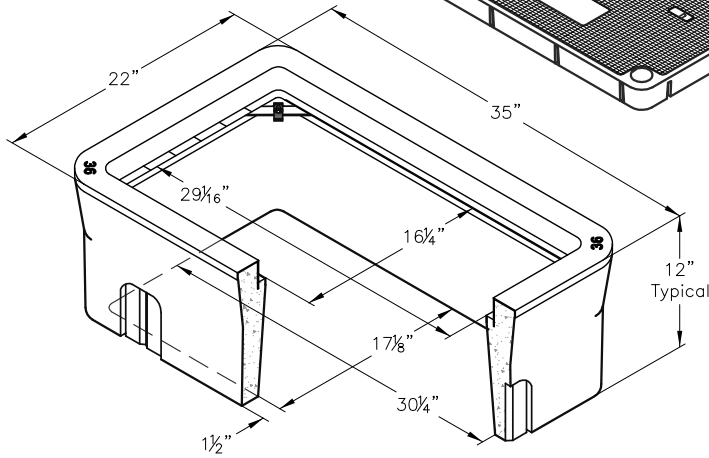
Cast-In Bolt Down Bracket

N90 Clip, For Bolt Down Application

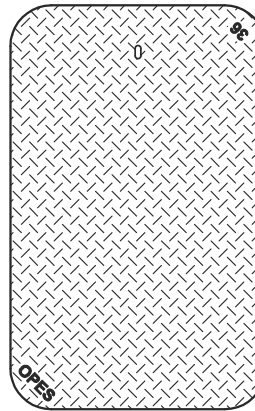
**R-Series Composite Lid  
No. N36R  
76 lbs.**



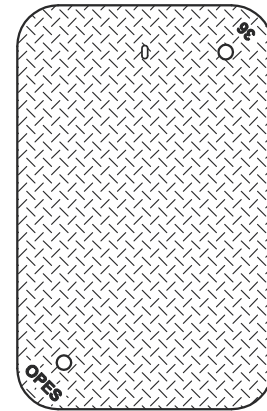
**Electrical Box  
No. N36 BOX  
172 lbs.**



**FL36T**



**B36-61D**



**N36-61J**

A high density reinforced concrete box with non-settling shoulders positioned to maintain grade and facilitate back filling. Approximate dimensions and weight shown.

Oldcastle Ordering Code	Item	Approx. Shipping Weight	Description
N36BOX	BOX	172 lbs.	N36 Electrical Box (17 1/8" x 30 1/4") Meets #6 State Specifications - 8 per pallet
N36R	LID	76 lbs.	R-Series Composite Lid with Polypropylene Ring (Order N90 Bolt Down Kit Separately)
FL36T	LID	35 lbs.	Fibrelyte lid, non-concrete Bolt Down (Order N90 Bolt Down Kit Separately)
B36-61D	COVER	56 lbs.	Steel Checker Plate
N36-61J	COVER	56 lbs.	Steel Checker Plate Bolt Down (Order N90 Bolt Down Kit Separately)
B36X12	EXTENSION	189 lbs.	12" Reinforced Concrete - 8 per pallet
B36SL	SLAB	104 lbs.	Reinforced concrete (20" x 34")

Galvanizing available on all steel covers



Phone: (800) 486-7070 Fax: (800) 486-6804  
Copyright © 2011 Oldcastle Precast Inc.

**N36 BOX**

FILE NAME: N36\_ISO

ISSUE DATE: January, 2011

[www.oldcastleprecast.com](http://www.oldcastleprecast.com)

**N36 ELECTRICAL BOX**

**17-1/8" x 30-1/4"**

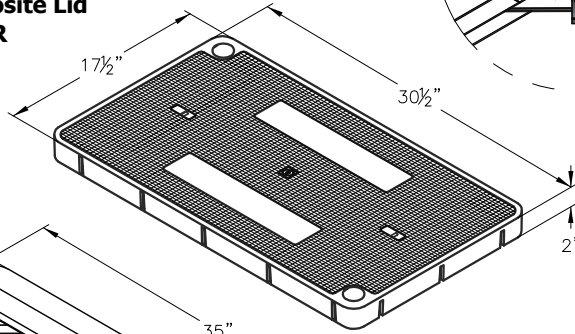


- Etched polypropylene face
- Face anchored in concrete
- Ultra-violet inhibitor
- Exceeds ASTM-D1693 Standards for Environmental Stress Cracking Resistance
- Meets Caltrans #6 State Specifications

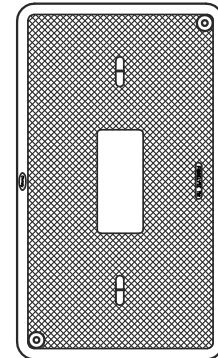
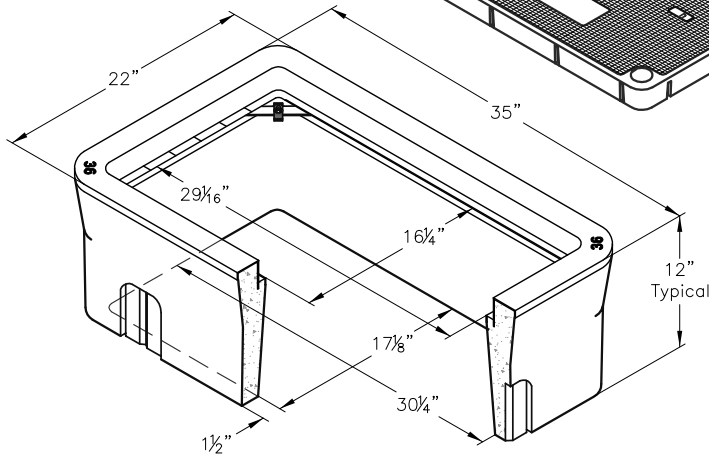
Cast-In Bolt Down Bracket

N90 Clip, For Bolt Down Application

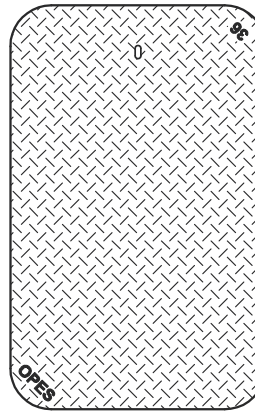
**R-Series Composite Lid  
No. N36R  
76 lbs.**



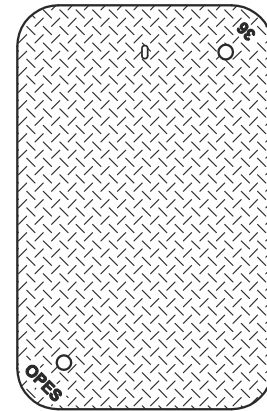
**Electrical Box  
No. N36 BOX  
172 lbs.**



**FL36T**



**B36-61D**



**N36-61J**

A high density reinforced concrete box with non-settling shoulders positioned to maintain grade and facilitate back filling. Approximate dimensions and weight shown.

Oldcastle Ordering Code	Item	Approx. Shipping Weight	Description
N36BOX	BOX	172 lbs.	N36 Electrical Box (17 1/8" x 30 1/4") Meets #6 State Specifications - 8 per pallet
N36R	LID	76 lbs.	R-Series Composite Lid with Polypropylene Ring (Order N90 Bolt Down Kit Separately)
FL36T	LID	35 lbs.	Fibrelyte lid, non-concrete Bolt Down (Order N90 Bolt Down Kit Separately)
B36-61D	COVER	56 lbs.	Steel Checker Plate
N36-61J	COVER	56 lbs.	Steel Checker Plate Bolt Down (Order N90 Bolt Down Kit Separately)
B36X12	EXTENSION	189 lbs.	12" Reinforced Concrete - 8 per pallet
B36SL	SLAB	104 lbs.	Reinforced concrete (20" x 34")

Galvanizing available on all steel covers



Phone: (800) 486-7070 Fax: (800) 486-6804  
Copyright © 2011 Oldcastle Precast Inc.

**N36 BOX**

FILE NAME: N36\_ISO

ISSUE DATE: January, 2011

[www.oldcastleprecast.com](http://www.oldcastleprecast.com)

**N36 ELECTRICAL BOX**

**17-1/8" x 30-1/4"**

