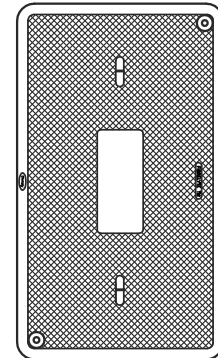
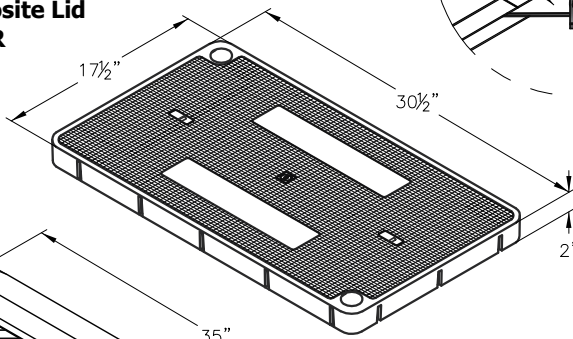


- Etched polypropylene face
- Face anchored in concrete
- Ultra-violet inhibitor
- Exceeds ASTM-D1693 Standards for Environmental Stress Cracking Resistance
- Meets Caltrans #6 State Specifications

Cast-In Bolt Down Bracket

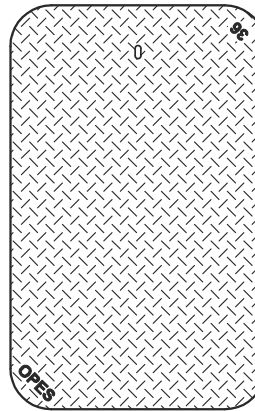
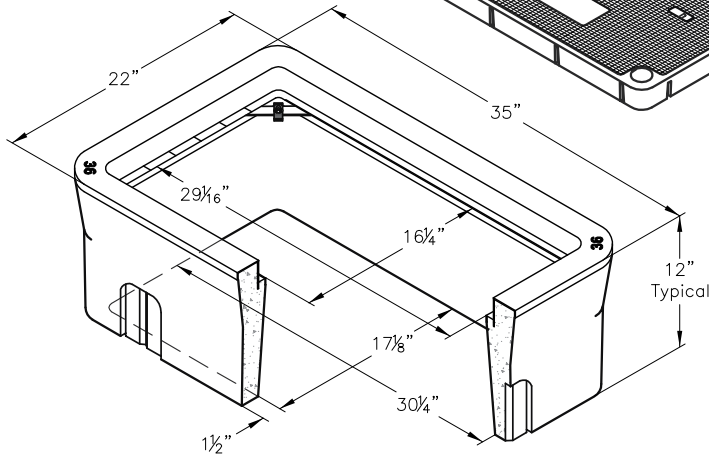
N90 Clip, For Bolt Down Application

**R-Series Composite Lid
No. N36R
76 lbs.**

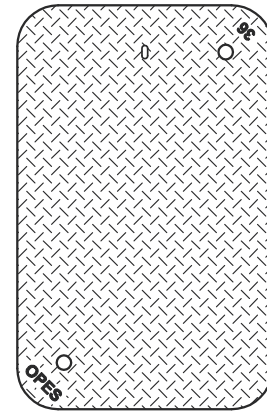


FL36T

**Electrical Box
No. N36 BOX
172 lbs.**



B36-61D



N36-61J

A high density reinforced concrete box with non-settling shoulders positioned to maintain grade and facilitate back filling. Approximate dimensions and weight shown.

| Oldcastle Ordering Code | Item | Approx. Shipping Weight | Description |
|-------------------------|-----------|-------------------------|-------------------------------------------------------------------------------------|
| N36BOX | BOX | 172 lbs. | N36 Electrical Box (17 1/8" x 30 1/4") Meets #6 State Specifications - 8 per pallet |
| N36R | LID | 76 lbs. | R-Series Composite Lid with Polypropylene Ring (Order N90 Bolt Down Kit Separately) |
| FL36T | LID | 35 lbs. | Fibrelyte lid, non-concrete Bolt Down (Order N90 Bolt Down Kit Separately) |
| B36-61D | COVER | 56 lbs. | Steel Checker Plate |
| N36-61J | COVER | 56 lbs. | Steel Checker Plate Bolt Down (Order N90 Bolt Down Kit Separately) |
| B36X12 | EXTENSION | 189 lbs. | 12" Reinforced Concrete - 8 per pallet |
| B36SL | SLAB | 104 lbs. | Reinforced concrete (20" x 34") |

Galvanizing available on all steel covers



Phone: (800) 486-7070 Fax: (800) 486-6804
Copyright © 2011 Oldcastle Precast Inc.

N36 BOX

FILE NAME: N36_ISO

ISSUE DATE: January, 2011

www.oldcastleprecast.com

N36 ELECTRICAL BOX

17-1/8" x 30-1/4"

