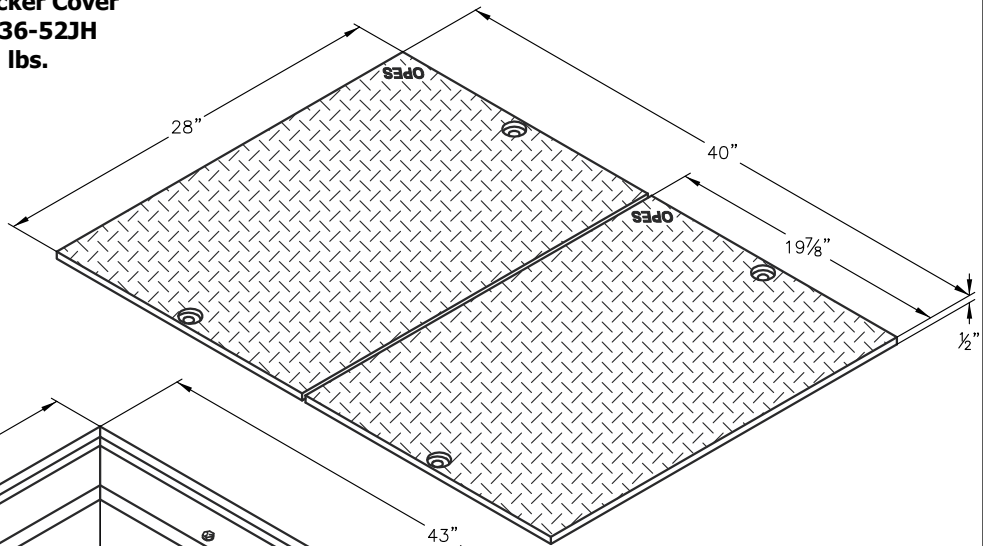
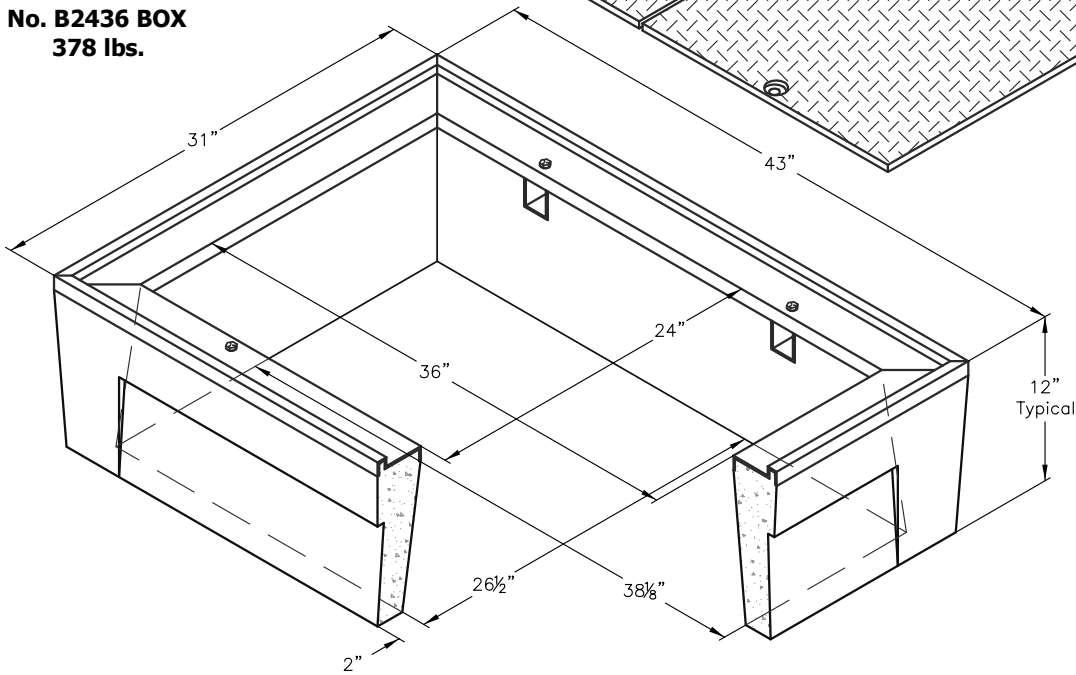


**Steel Checker Cover  
No. B2436-52JH  
218 lbs.**



**Traffic Box  
No. B2436 BOX  
378 lbs.**



A high density reinforced concrete box with non-settling shoulders positioned to maintain grade and facilitate back filling. Hex-Head Bolts are included with Box. Approximate dimensions and weight shown.

Oldcastle Ordering Code	Item	Approx. Shipping Weight	Description
B2436BOX	BOX	378 lbs.	B2436 Utility Box (24" x 36") H/20 Loading w/ Bolts - 3 per pallet
B2436-52JH	COVER	111 lbs.	2 pc. Steel Checker Plate, H/20, Bolt Down
B2436X12	EXTENSION	250 lbs.	12" Reinforced Concrete H/20 Loading - 3 per pallet
B40SL	SLAB	108 lbs.	Reinforced Concrete (30" x 40")

Galvanizing available on all steel covers



Phone: (800) 486-7070 Fax: (800) 486-6804  
Copyright © 2011 Oldcastle Precast Inc.

**B2436 BOX**

FILE NAME: B2436\_ISO

ISSUE DATE: January, 2011

[www.oldcastleprecast.com](http://www.oldcastleprecast.com)

**B2436 BOX H/20 LOADING  
24" x 36"**

