

Group Metering and Meter Breaker Family



4.1	Meter Sockets	
	Single Meter Sockets	V1-T4-2
	Commercial Lever Bypass Sockets	V1-T4-10
	Multiple Position Horizontal Ganged Sockets	V1-T4-17
	Instrument Rated Sockets	V1-T4-23
	Residential Pedestals	V1-T4-28
	Meter Socket Accessories	V1-T4-30
4.2	Meter Breakers	
	Residential Meter Breakers	V1-T4-35
	Non-EUSERC Combination Service Entrance Devices 100–200 A Styles	V1-T4-37
	EUSERC Required Service Entrance Devices 100–225 A.	V1-T4-41
	West Coast All-In-One Design	V1-T4-44
	House Panels	V1-T4-48
	Aluminum Meter Breakers	V1-T4-53
	CH Style Renovation Solutions.	V1-T4-54
	Commercial Safety Sockets	V1-T4-55
	Meter Breakers Accessories	V1-T4-58
4.3	Group Metering	
	Systems for Residential and Commercial Applications	V1-T4-68
	Meter Packs	V1-T4-76
	Meter Packs—Tenant Circuit Breakers	V1-T4-88
	Main Service Modules	V1-T4-89
	Residential Meter Stacks	V1-T4-108
	Commercial Meter Stack Modules	V1-T4-123
	Phase Balanced Stack	V1-T4-132
	Group Metering Inline Current Transformer Cabinets	V1-T4-133
	Surge Metering	V1-T4-134
	Group Metering Accessories	V1-T4-135



Volume 1—Residential and Light Commercial, CA08100002E

Tab 4—Metering Products

Revision date	Section	Change page(s)	Description
11/05/2018	—	V1-T4-1	Update TOC listing
11/05/2018	4.3	V1-T4-78	Content edits
11/05/2018	4.3	V1-T4-79	Content edits



Powering Business Worldwide

Single Meter Sockets



Contents

<i>Description</i>	<i>Page</i>
Single Meter Sockets	
Features and Benefits	V1-T4-3
Catalog Number Selection	V1-T4-3
Product Selection	V1-T4-4
Dimensions	V1-T4-8
Commercial Lever Bypass Sockets	V1-T4-10
Multiple Position Horizontal Ganged Sockets	V1-T4-17
Instrument Rated Sockets	V1-T4-23
Residential Pedestals	V1-T4-28
Meter Socket Accessories	V1-T4-30

Single Meter Sockets

Product Description

Single-Phase Three-Wire and Three-Phase Four-Wire 600 Vac Single Meter Sockets

All Eaton sockets are rated 600 Vac maximum and either 100, 200 or 320 A continuous. All have a minimum short-circuit rating of 10,000 rms symmetrical amperes (watthour meter is not included in rating).

All single meter sockets are UL labeled and are supplied in surface mounted outdoor enclosures. Confirm local utility acceptance prior to order entry.

Features and Benefits

Single Meter Sockets

Features	Benefits
Block assembly base exceeds 400 in-lbs of torque	Provides durability under the most extreme installation circumstances
One-piece, die-run enclosure	Eliminates tampering and extends product life
High visibility Eaton name embossed on cover	Company identity and brand preference
Knockouts are installer friendly	Labor savings, less time needed for removing knockouts
Oversized 7/8-inch diameter, heavy-duty, steel lug screws	Stronger connection component facilitates a reliable wire termination
Slide-nuts are captive	Allow for ease in installation of conductors and eliminates lost components
Horn bypass kit is field installable by changing out slide nut	Less inventory required and field modifications are simple
Integral triplex or quadplex ground extruded in neutral lug	One piece for terminating incoming/outgoing neutral conductors, which increases integrity of connections
100% plated bridge with 4-point mounting	Zinc chromate plated to provide superior corrosion resistance
kAIC rating	Tested and UL listed up to 200 kAIC rating with specified overcurrent protection devices
Provides a complete Eaton residential solution	Adding meter sockets to the already existing (loadcenter, surge, breakers, generators and AC disconnect) product lines that we already provide, makes Eaton a one-stop shop for our customers residential and light commercial needs
Copper-plated alloy jaws with reinforcing spring	Steel reinforcing springs used in all socket jaws to maintain electrical connections

Catalog Number Selection

Single Meter Sockets RS Group

UT RS 2 0 2 B CH

Note: The “U” prefix is always used first followed by other prefixes required in alphabetical order.

Standard Prefixes	
A	= Aluminum enclosure
B	= Barrel lock provision, for an exposed INNER-TITE® or Brooks barrel lock; unit includes an internal lock receiver bracket
F	= Barrel Lock with guard provision, for a lock guard INNER-TITE or Brooks barrel lock; unit includes an internal lock receiver bracket
G	= Grounded fifth terminal (9 o'clock position)
H	= Horn bypass
I	= Inhibitor installed in wire connectors
M	= Temporary meter cover (waxed cardboard)
N	= No sealing ring (applies only to ring style sockets)
R	= Ring style socket
S	= Aluminum screw type sealing ring (applies only to ring style sockets)
T	= Grounding connector (#14–#2 Cu) for triplex ground
TT	= Two grounding connectors (#14–#2 Cu) for quadplex ground
U	= UL Underwriters Laboratories label
Z	= 5/16-inch hex head connector screw in place of slotted (100 A only)

Product Group	
RS	= Residential service, single position
2R-6R	= Residential service, multiple position
2H-6H	= Commercial or residential service, multiple position
H	= Commercial or residential service, single position

Standard Suffixes	
A	= Solid top
B	= Small hub opening
C	= Small hub closing plate mounted
L	= 1.25-inch (31.8 mm) hub mounted
M	= 1.50-inch (38.1 mm) hub mounted
N	= 2.00-inch (50.8 mm) hub mounted
P	= 2.50-inch (63.5 mm) hub mounted
T	= Large hub opening hub
U	= Large hub cover plate hub mounted
V	= 2.50-inch (63.5 mm) large hub mounted
Q	= 3.00-inch (76.2 mm) large hub mounted
R	= 3.50-inch (88.9 mm) large hub mounted
S	= 4.00-inch (101.6 mm) large hub mounted
Z	= Large to small hub adapter mounted

Maximum Conductor (Line and Load)	
0	= 0.38-inch stud connectors
1	= #2/0 connectors
2	= #250 kcmil connectors
3	= #350 kcmil connectors

Service Design	
0	= Overhead
1	= Combination overhead/underground
2	= Underground, side wired
3	= Combination overhead/underground, side wired

Ampere Rating	
1	= 100 A
2	= 200 A
5	= 150 A

Product Selection

URS212ACH

Residential Ringless Type Cover



4

Ampere Rating	Jaws	Service	Bypass	Connections Line	Load	Opening, Hub or Closure Plate	Catalog Number
200	4	UG	—	3/8-inch studs	3/8-inch studs	Solid top	UTRS240ACH
200	4	OH/UG	—	3/8-inch studs	3/8-inch studs	3-5/16 hub cover plate	UTRS2303CCH
200	4	UG	—	#8–350 kcmil	#8–350 kcmil	Solid top	UTRS223ACH
200	4	UG	—	3/8-inch studs	3/8-inch studs	Solid top	UTRS220ACH
200	4	OH/UG	—	#8–350 kcmil	#8–350 kcmil	3-5/16 cover plate	UTRS213CFLCH
200	4	OH/UG	—	#8–350 kcmil	#8–350 kcmil	3-5/16 hub cover plate	UTRS213CEPCH
200	4	OH/UG	—	#6–350 kcmil	#6–350 kcmil	3-5/16 hub cover plate	UGTRS213CE
200	4	OH/UG	—	#6–350 kcmil	#6–350 kcmil	3-5/16 hub cover plate	UTRS213CE
200	4	OH/UG	—	#6–350 kcmil	#6–350 kcmil	3-5/16 hub opening	UATRS213BCH
200	4	OH/UG	—	#6–350 kcmil	#6–350 kcmil	3-5/16 hub opening	URS213BCH
200	4	OH/UG	—	#6–350 kcmil	#6–350 kcmil	3-5/16 hub opening	UTRS213BE
200	4	UG	—	#8–350 kcmil	#8–350 kcmil	Solid top	UTRS213AFLCH
200	4	UG	—	#8–350 kcmil	#8–350 kcmil	Solid top	UTRS213ACH
200	4	OH/UG	Horn	#8–350 kcmil	#8–350 kcmil	3-5/16 hub opening	UTRS2138BCH
200	4	OH/UG	—	#8–250 kcmil	#8–250 kcmil	Solid top	UTRS212ACH
200	4	OH/UG	—	#8–250 kcmil	#8–250 kcmil	3-5/16 cover plate	UTRS212CCH
200	4	OH/UG	—	#8–250 kcmil	#8–250 kcmil	3-5/16 cover plate	UTRS212CFLCH
200	4	OH/UG	—	#8–250 kcmil	#8–250 kcmil	3-5/16 hub opening	UTRS212BCH
200	4	OH	—	#8–250 kcmil	#8–250 kcmil	2-inch bolt-on hub	UTRS202NCH
200	4	OH	—	#8–250 kcmil	#8–250 kcmil	Small hub opening	UATRS202BFLCH ^①
200	4	OH/UG	—	#8–250 kcmil	#8–250 kcmil	3-5/16 cover plate	UTRS232CCH
200	4	OH	—	#8–2/0 cu/al	#8–2/0 cu/al	3-5/16 hub opening	UTRS202BCH
200	4	OH/UG	—	#8–250 kcmil	#8–250 kcmil	Solid top	URS212ACH
200	4	OH	—	#8–250 kcmil	#8–250 kcmil	2-inch bolt-on hub	URS202NCH
200	5	OH	Horn	#8–250 kcmil	#8–250 kcmil	3-5/16 hub opening	URS202BDQCH
200	4	OH/UG	Horn	#8–350 kcmil	#8–350 kcmil	3-5/16 hub cover plate	UFHTRS213CCH ^②
200	4	OH/UG	Horn	#8–350 kcmil	#8–350 kcmil	3-5/16 hub opening	UHTRS213BCH
200	4	OH/UG	Horn	#8–350 kcmil	#8–350 kcmil	3-5/16 hub cover plate	UHTRS213CCH
200	4	OH	Horn	#8–250 kcmil	#8–250 kcmil	3-5/16 hub opening	UHTRS202BCH
200	5	OH/UG	Horn	#8–350 kcmil	#8–350 kcmil	3-5/16 hub cover plate	UHTRS233CCH
200	4	UG	Horn	#8–350 kcmil	#8–350 kcmil	Solid top	UHTRS223ARHCH
200	4	UG	Horn	#8–350 kcmil	#8–350 kcmil	Solid top	UFHTRS223ACH
200	5	UG	Horn	#8–350 kcmil	#8–350 kcmil	Solid top	UGHTRS223ACH
200	4	UG	Horn	#8–350 kcmil	#8–350 kcmil	Solid top	UHTRS223ACH
200	4	UG	Horn	#8–350 kcmil	#8–350 kcmil	Solid top	UHTRS223ACH
200	4	OH/UG	Horn	#6–350 kcmil	#6–350 kcmil	3-5/16 hub opening	UHTRS213CE
200	4	OH/UG	Horn	#6–350 kcmil	#6–350 kcmil	3-5/16 hub opening	UHTRS213BE
200	4	OH/UG	Horn	#8–350 kcmil	#8–350 kcmil	Solid top	UHTRS213AE
200	4	OH	Horn	#8–350 kcmil	#8–350 kcmil	3-5/16 hub opening	UHTRS203BCH
200	4	OH	Horn	#8–250 kcmil	#8–250 kcmil	3-5/16 hub opening	UHTRS202BCH
200	4	OH/UG	None	#8–250 kcmil	#8–250 kcmil	2-inch bolt-on hub	URS202NPECCH ^③

Notes

- ① Aluminum enclosure.
- ② Barrel lock.
- ③ PEC approved.

For dimensions, see **Pages V1-T4-8 and V1-T4-9.**

Residential Ringless Type Cover, continued

Ampere Rating	Jaws	Service	Bypass	Connections Line	Load	Opening, Hub or Closure Plate	Catalog Number
200	4	OH/UG	Horn	#8-350 kcmil	#8-350 kcmil	Solid top	UHRS223ACVCH
200	4	OH/UG	Horn	#8-350 kcmil	#8-350 kcmil	3-5/16 hub opening	UHRS213BCVCH
200	5	OH/UG	—	#6-350 kcmil	#6-350 kcmil	Closure plate	UGTRS213CE
200	5	OH/UG	—	#6-350 kcmil	#6-350 kcmil	Hub opening	UGTRS213BE
200	5	OH/UG	Horn	#6-350 kcmil	#6-350 kcmil	Closure plate	786685217918
200	5	OH/UG	Horn	#6-350 kcmil	#6-350 kcmil	3-5/16 hub opening	UGHTRS213BE
200	5	OH/UG	Horn	#8-250 kcmil	#8-250 kcmil	3-5/16 hub cover plate	UGHRS212CKCCH
200	4	OH	—	#8-250 kcmil	#8-250 kcmil	3-5/16 hub opening	UFTRS202BCH
200	4	OH	Horn	#8-250 kcmil	#8-250 kcmil	3-5/16 hub opening	UFHTRS202BCH
200	4	UG	Horn	#8-350 kcmil	#8-350 kcmil	Solid top	UBHTRS223ARHCH
200	4	UG	Horn	#8-350 kcmil	#8-350 kcmil	Solid top	UBHRS223ACH
200	4	OH	Horn	#8-250 kcmil	#8-250 kcmil	3-5/16 hub cover plate	UBHRS202BCH
200	4	OH/UG	—	#8-350 kcmil	#8-350 kcmil	3-5/16 hub opening	UATRS213CFLCH
200	4	OH/UG	Horn	#8-350 kcmil	#8-350 kcmil	3-5/16 hub cover plate	UAHTRS233CSHCH
200	4	UG	Horn	#8-350 kcmil	#8-350 kcmil	Solid top	UAHTRS223AFLCH
200	4	OH	Horn	#8-250 kcmil	#8-250 kcmil	3-5/16 hub opening	UAHTRS202BFLCH
200	4	OH/UG	—	#8-350 kcmil	#8-350 kcmil	3-5/16 hub closure plate	U92197CCCPLCH
200	4	OH/UG	—	#8-350 kcmil	#8-350 kcmil	3-5/16 hub closure plate	1009928CH
200	4	OH/UG	Horn	#8-250 kcmil	#8-250 kcmil	Solid top	1009874ACH
200	4	UG	—	3/8-inch studs	3/8-inch studs	Solid top	1009046CH
200	4	UG	Horn	#8-350 kcmil	#8-350 kcmil	Solid top	1008941CH
200	4	UG	Horn	#8-350 kcmil	#8-350 kcmil	Solid top	1008940CH
200	4	UG	Horn	#8-350 kcmil	#8-350 kcmil	Solid top	1008827CH
200	4	UG	Horn	#8-350 kcmil	#8-350 kcmil	Solid top	1008819CH
200	4	UG	Horn	#8-350 kcmil	#8-350 kcmil	Solid top	1008717CH
200	4	UG	—	#8-350 kcmil	#8-350 kcmil	Solid top	1008617CH
200	4	OH/UG	Horn	#8-350 kcmil	#8-350 kcmil	3-5/16 hub opening	1007817CH
200	4	OH	Horn	#8-250 kcmil	#8-250 kcmil	3-5/16 hub opening	1007699CH
200	4	OH	Horn	#8-250 kcmil	#8-250 kcmil	3-5/16 hub opening	1007665CH
200	4	UG	Horn	#8-350 kcmil	#8-350 kcmil	Solid top	1007588CH
200	4	OH/UG	—	3/8-inch studs	3/8-inch studs	3-5/16 hub opening	1007448ACH
200	4	UG	Horn	#8-350 kcmil	#8-350 kcmil	Solid top	1004884ARHCH ①
200	4	UG	Horn	#8-350 kcmil	#8-350 kcmil	Solid top	1004884ACH
200	4	OH/UG	—	#8-#250 kcmil	#8-#250 kcmil	3-5/16 hub cover plate	1004710ECH
200	4	OH	—	N/A	N/A	N/A	1004709DCH
200	4	OH	Horn	#8-#250 kcmil	#8-#250 kcmil	2-inch bolt-on hubs	1004455BCH
200	4	OH	Horn	#8-250 kcmil	#8-250 kcmil	3-5/16 hub opening	1004161ACH
200	4	OH/UG	Horn	#8-350 kcmil	#8-350 kcmil	3-5/16 hub opening	1004159ACH
200	4	OH/UG	—	#8-350 kcmil	#8-350 kcmil	Hub closure plate	1008826ACH ②
200	4	OH/UG	Lever	#6-350 kcmil	#6-350 kcmil	Hub closure plate	1006352CCH ②
200	5	OH	Horn	#8-250 kcmil	#8-250 kcmil	3-5/16 hub opening	1003879ACH
200	5	OH/UG	Horn	#8-350 kcmil	#8-350 kcmil	3-5/16 hub opening	1003878ACH

Notes

- ① Right hand incoming.
- ② Austin Energy approved.

For dimensions, see Pages V1-T4-8 and V1-T4-9.

4.1

Metering Products

Meter Sockets

URS101BCH



Residential Ringless Type Cover, continued

Ampere Rating	Jaws	Service	Bypass	Connections Line	Load	Opening, Hub or Closure Plate	Catalog Number
150	4	OH/UG	—	#8-2/0 AWG	#8-2/0 AWG	Hub closure plate	1004326DCH ^①
150	4	OH/UG	—	#8-250 kcmil	#8-250 kcmil	Hub opening	UTRS502BCH
150	4	OH	—	#8-250 kcmil	#8-250 kcmil	3-5/16 hub opening	UTRS502BCH
150	4	OH	—	#8-250 kcmil	#8-250 kcmil	3-5/16 hub cover plate	UTRS502CCH
125	4	UG	—	N/A	N/A	N/A	1006385BCH
125	4	OH/UG	—	#8-2/0 cu/al	#8-2/0 cu/al	3-5/16 hub opening	UTRS111BCH
125	4	OH	—	#8-2/0 cu/al	#8-2/0 cu/al	3-5/16 hub opening	UBTRS101BCH
125	4	OH	—	#8-2/0 cu/al	#8-2/0 cu/al	1-1/4-inch bolt-on hub	UTRS101LCH
125	4	OH	—	#8-2/0 cu/al	#8-2/0 cu/al	3-5/16 hub cover plate	UTRS101CE
125	4	OH	—	#8-2/0 cu/al	#8-2/0 cu/al	3-5/16 hub opening	UTRS101BE
125	4	OH	—	#8-2/0	#8-2/0	3-5/16 hub cover plate	URS101CCPLCH
125	4	OH	Horn	cu/al with 1/2-inch hex head wire clamping screw	cu/al with 1/2-inch hex head wire clamping screw	3-5/16 hub cover plate	URS101BDQCH
125	4	OH	—	#8-2/0	#8-2/0	3-5/16 hub opening	URS101BCPLCH
125	4	OH	—	#8-2/0	#8-2/0	3-5/16 hub opening	URS101BCH
125	4	OH	Horn	#8-2/0	#8-2/0	3-5/16 hub opening	UHTRS101BCH
125	4	OH/UG	Horn	#8-250 kcmil	#8-250 kcmil	3-5/16 hub opening	UHTRS111BCH
125	4	OH	Horn	#8-2/0	#8-2/0	1.25-inch hub mounted	UHTRS101LCH
125	4	OH	Horn	#8-2/0	#8-2/0	Closure plate	UHTRS101CE
125	4	OH	Horn	#8-2/0	#8-2/0	3-5/16 hub opening	UHTRS101BE
125	5	OH/UG	—	#8-2/0	#8-2/0	3-5/16 hub cover plate	UGRS10101CKCCH
125	5	OH/UG	—	#8-2/0	#8-2/0	3-5/16 hub cover plate	UGHTRS111CCH
125	5	OH	—	#8-2/0	#8-2/0	3-5/16 hub opening	UGHTRS101BCH
125	4	OH	—	#8-2/0	#8-2/0	3-5/16 hub cover plate	UBHRS101BCH
125	4	OH/UG	—	#8-2/0	#8-2/0	3-5/16 hub cover plate	UATZRS101CFLCH
125	4	OH	—	#8-2/0	#8-2/0	3-5/16 hub cover plate	UATRS101CCH
125	4	OH	—	#8-2/0	#8-2/0	3-5/16 hub opening	1008947CH
125	4	UG	N/A	N/A	N/A	N/A	1005826ACH
125	4	OH	—	#8-2/0	#8-2/0	1-1/4-inch bolt-on hub	1004931BCH
125	4	OH	—	#8-2/0	#8-2/0	3-5/16 hub opening	1004162ACH
125	5	OH	—	#8-2/0	#8-2/0	3-5/16 hub opening	1003880ACH
125	4	OH	—	#8-2/0	#8-2/0	3-5/16 hub opening	UTZRS101BFLCH
125	4	OH	—	#8-2/0	#8-2/0	3-5/16 hub closure plate	UTZRS101CFLCH
125	5	OH	Horn	#8-2/0	#8-2/0	Hub opening	UTRS101CEPSEG ^②
100	4	OH	—	#8-2/0	#8-2/0	3-5/16 hub opening	1009079CH
200	5	OH/UG	Horn	#8-350 kcmil	#8-350 kcmil	Hub closure plate	UTRS213CEPSEG ^②

Notes

- ① Austin Energy approved.
- ② PSE&G approved.

For dimensions, see **Pages V1-T4-8 and V1-T4-9.**

Residential Ring Type Cover

Ampere Rating	Jaws	Service	Connections Line	Load	Opening, Hub or Closure Plate	Catalog Number
200	4	UG	#8-350 kcmil	#8-350 kcmil	Solid top	URTRS223ACH
200	4	OH/UG	#8-350 kcmil	#8-350 kcmil	3-5/16 hub cover plate	URRS213CCH
200	4	OH/UG	#8-350 kcmil	#8-350 kcmil	2 inch hub mounted	URTRS213NEUSCH
200	4	OH/UG	#8-350 kcmil	#8-350 kcmil	3-5/16 hub cover plate	URTRS213CEUSCH
200	4	OH/UG	#8-350 kcmil	#8-350 kcmil	3-5/16 hub cover plate	1009424CH
200	4	OH/UG	#8-350 kcmil	#8-350 kcmil	Knockouts	1009449CH
200	4	OH	#8-350 kcmil	#8-350 kcmil	3-5/16 hub opening	URSTRS203BCH
200	4	OH	#8-250 kcmil	#8-250 kcmil	3-5/16 hub cover plate	URS212BCRCH
200	4	OH/UG	#8-250 kcmil	#8-250 kcmil	3-5/16 hub cover plate	URTRS202BCH
200	4	OH	#8-250 kcmil	#8-250 kcmil	3-5/16 hub opening	URTRS213BE
200	4	OH/UG	#6-350 kcmil	#6-350 kcmil	Hub opening	URTRS202BCH
200	4	OH/UG	#6-350 kcmil	#6-350 kcmil	Closure plate	URTRS213CE
200	4	UG	#6-350 kcmil	#6-350 kcmil	3-5/16 hub opening	URTRS213BEUSCH
200	4	OH	#8-250 kcmil	#8-250 kcmil	2-inch hub mounted	URTRS202NEUSCH
200	4	OH	#8-250 kcmil	#8-250 kcmil	3-5/16 hub opening	UNRRS202BEUSCH
200	4	OH/UG	#6-350 kcmil	#6-350 kcmil	Closure plate	UNRRS213CEUSE
200	4	OH	#8-250 kcmil	#8-250 kcmil	Hub opening	UNRRS213BEUSE
200	4	UG	#6-350 kcmil	#6-350 kcmil	Solid top	UNRRS213AEUSE
200	4	OH/UG	#6-250 kcmil	#6-250 kcmil	5x5 hub opening 3-5/16 adapter plate	1009097CH
125	4	OH	#8-2/0 cu/al	#8-2/0 cu/al	3-5/16 hub opening	URS101BCRCH
125	4	OH	#8-2/0 cu/al	#8-2/0 cu/al	1-1/4-inch bolt-on hub	URRS101LCH
125	4	OH	#8-2/0 cu/al	#8-2/0 cu/al	Hub cover plate	URTRS101BE
125	4	OH	#8-2/0 cu/al	#8-2/0 cu/al	Hub cover plate	URTRS101CE
125	4	OH	#8-2/0 cu/al	#8-2/0 cu/al	3-5/16 hub cover plate	UNRRS101BEUSE
125	4	OH	#8-2/0 cu/al	#8-2/0 cu/al	Closure plate	UNRRS101CEUSE
125	4	OH/UG	#8-2/0 cu/al	#8-2/0 cu/al	3-5/16 hub cover plate	UNRRS111BEUSE
125	4	UG	#8-2/0 cu/al	#8-2/0 cu/al	Solid top	UNRRS111AEUSE
125	4	OH	#8-2/0 cu/al	#8-2/0 cu/al	3-5/16 hub opening	URSTRS101BCH

Note

For dimensions, see **Pages V1-T4-8 and V1-T4-9.**

Dimensions

Approximate Dimensions in Inches (mm)

Residential Ringless Type Cover

Catalog Number	Height	Width	Depth
UTRS240ACH	18.63 (473.2)	13.00 (330.2)	4.94 (125.5)
UTRS2303CCH	20.00 (508.0)	13.00 (330.2)	4.94 (125.5)
UTRS223ACH	13.00 (330.2)	13.00 (330.2)	4.94 (125.5)
UTRS220ACH	15.13 (384.3)	13.00 (330.2)	4.94 (125.5)
UTRS213CFLCH	15.00 (381.0)	11.00 (279.4)	4.37 (111.0)
UTRS213CEPCH	15.00 (381.0)	11.00 (279.4)	4.37 (111.0)
UGTRS213CE	15.13 (384.3)	11.25 (285.8)	4.50 (114.3)
UTRS213CE	15.13 (384.3)	11.25 (285.8)	4.50 (114.3)
UATRS213BCH	15.13 (384.3)	11.25 (285.8)	4.50 (114.3)
URS213BCH	15.00 (381.0)	11.00 (279.4)	4.36 (110.7)
UTRS213BE	15.13 (384.3)	11.25 (285.8)	4.50 (114.3)
UTRS213AFLCH	15.00 (381.0)	11.00 (279.4)	4.37 (111.0)
UTRS213ACH	15.00 (381.0)	11.00 (279.4)	4.36 (110.7)
UTRS2138BCH	20.00 (508.0)	13.00 (330.2)	4.94 (125.5)
UTRS212ACH	14.00 (355.6)	11.00 (279.4)	4.37 (111.0)
UTRS212CCH	14.00 (355.6)	11.00 (279.4)	4.36 (110.7)
UTRS212CFLCH	14.00 (355.6)	11.00 (279.4)	4.36 (110.7)
UTRS212BCH	14.00 (355.6)	11.00 (279.4)	4.36 (110.7)
UTRS202NCH	14.00 (355.6)	8.00 (203.2)	4.36 (110.7)
UATRS202BFLCH ①	14.00 (355.6)	8.00 (203.2)	4.36 (110.7)
UTRS232CCH	17.12 (434.8)	13.00 (330.2)	4.93 (125.2)
UTRS202BCH	14.00 (355.6)	8.00 (203.2)	4.36 (110.7)
URS212ACH	14.00 (355.6)	11.00 (279.4)	4.38 (111.3)
URS202NCH	14.00 (355.6)	8.00 (203.2)	4.38 (111.3)
URS202BDQCH	14.00 (355.6)	8.00 (203.2)	4.38 (111.3)
UFHTRS213CCH ②	15.00 (381.0)	11.00 (279.4)	4.38 (111.3)
UHTRS213BCH	15.00 (381.0)	11.00 (279.4)	4.38 (111.3)
UHTRS213CCH	15.00 (381.0)	11.00 (279.4)	4.38 (111.3)
UHTRS202BCH	14.00 (355.6)	8.00 (203.2)	4.38 (111.3)
UHTRS233CCH	17.13 (435.1)	13.00 (330.2)	4.94 (125.5)
UHTRS223ARHCH	13.00 (330.2)	13.00 (330.2)	4.94 (125.5)
UFHTRS223ACH	13.00 (330.2)	13.00 (330.2)	4.94 (125.5)
UGHTRS223ACH	13.00 (330.2)	13.00 (330.2)	4.94 (125.5)
UHTRS223ACH	13.00 (330.2)	13.00 (330.2)	4.94 (125.5)
UHTRS213CE	15.00 (381.0)	11.00 (279.4)	4.38 (111.3)
UHTRS213BE	15.00 (381.0)	11.00 (279.4)	4.38 (111.3)
UHTRS213AE	15.00 (381.0)	11.00 (279.4)	4.38 (111.3)
UHTRS203BCH	15.00 (381.0)	8.00 (203.2)	4.38 (111.3)
UHTRS202BCH	14.00 (355.6)	8.00 (203.2)	4.38 (111.3)
UHRS223ACVCH	13.00 (330.2)	13.00 (330.2)	4.94 (125.5)

Residential Ringless Type Cover, continued

Catalog Number	Height	Width	Depth
UHRS213BCVCH	15.00 (381.0)	11.00 (279.4)	4.38 (111.3)
UGTRS213CE	15.13 (384.3)	11.25 (285.8)	4.50 (114.3)
UGTRS213BE	15.13 (384.3)	11.25 (285.8)	4.50 (114.3)
786685217918	15.13 (384.3)	11.25 (285.8)	4.50 (114.3)
UGHTRS213BE	15.13 (384.3)	11.25 (285.8)	4.50 (114.3)
UGHRS212CKCH	14.00 (355.6)	11.00 (279.4)	4.38 (111.3)
UFTRS202BCH	14.00 (355.6)	8.00 (203.2)	4.38 (111.3)
UFHTRS202BCH	14.00 (355.6)	8.00 (203.2)	4.38 (111.3)
UBHTRS223ARHCH	13.00 (330.2)	13.00 (330.2)	4.94 (125.5)
UBHRS223ACH	13.00 (330.2)	13.00 (330.2)	4.94 (125.5)
UBHRS202BCH	14.00 (355.6)	8.00 (203.2)	4.38 (111.3)
UATRS213CFLCH	15.00 (381.0)	11.00 (279.4)	4.38 (111.3)
UAHTRS233CSHCH	17.13 (435.1)	13.00 (330.2)	4.94 (125.5)
UAHTRS223AFLCH	13.00 (330.2)	13.00 (330.2)	4.94 (125.5)
UAHTRS202BFLCH	14.00 (355.6)	8.00 (203.2)	4.38 (111.3)
U92197CCPLCH	14.13 (358.9)	13.00 (330.2)	4.94 (125.5)
1009928CH	15.00 (381.0)	11.00 (279.4)	4.38 (111.3)
1009874ACH	15.00 (381.0)	13.00 (330.2)	4.94 (125.5)
1009046CH	20.75 (527.1)	9.00 (228.6)	4.94 (125.5)
1008941CH	17.13 (435.1)	13.00 (330.2)	4.94 (125.5)
1008940CH	17.13 (435.1)	13.00 (330.2)	4.94 (125.5)
1008827CH	13.00 (330.2)	13.00 (330.2)	4.94 (125.5)
1008819CH	13.00 (330.2)	13.00 (330.2)	4.94 (125.5)
1008717CH	15.00 (381.0)	13.00 (330.2)	4.94 (125.5)
1008617CH	15.00 (381.0)	13.00 (330.2)	4.94 (125.5)
1007817CH	15.00 (381.0)	11.00 (279.4)	4.38 (111.3)
1007699CH	14.00 (355.6)	8.00 (203.2)	4.38 (111.3)
1007665CH	14.00 (355.6)	8.00 (203.2)	4.38 (111.3)
1007588CH	13.00 (330.2)	13.00 (330.2)	4.94 (125.5)
1007448ACH	19.00 (482.6)	11.00 (279.4)	4.38 (111.3)
1004884ARHCH ③	13.00 (330.2)	13.00 (330.2)	4.93 (125.2)
1004884ACH	13.00 (330.2)	13.00 (330.2)	4.93 (125.2)
1004710ECH	14.00 (355.6)	11.00 (279.4)	4.38 (111.3)
1004709DCH	N/A	N/A	N/A
1004455BCH	15.00 (381.0)	8.00 (203.2)	4.38 (111.3)
1004161ACH	14.00 (355.6)	8.00 (203.2)	4.38 (111.3)
1004159ACH	15.00 (381.0)	11.00 (279.4)	4.38 (111.3)
1003879ACH	15.00 (381.0)	8.00 (203.2)	4.38 (111.3)
1003878ACH	15.00 (381.0)	11.00 (279.4)	4.38 (111.3)
UTRS502BCH	14.00 (355.6)	8.00 (203.2)	4.38 (111.3)

Notes

- ① Aluminum enclosure.
- ② Barrel lock.
- ③ Right hand incoming.

Approximate Dimensions in Inches (mm)

Residential Ringless Type Cover, continued

Catalog Number	Height	Width	Depth
UTRS502BCH	14.00 (355.6)	8.00 (203.2)	4.36 (110.7)
UTRS502CCH	14.00 (355.6)	8.00 (203.2)	4.36 (110.7)
1006385BCH	N/A	N/A	N/A
UTRS111BCH	14.00 (355.6)	11.00 (279.4)	4.36 (110.7)
UBTRS101BCH	10.88 (276.4)	8.00 (203.2)	3.50 (88.9)
UTRS101LCH	10.88 (276.4)	8.00 (203.2)	3.50 (88.9)
UTRS101CE	11.05 (280.7)	8.22 (208.8)	3.61 (91.7)
UTRS101BE	11.05 (280.7)	8.22 (208.8)	3.61 (91.7)
URS101CCPLCH	10.88 (276.4)	8.00 (203.2)	3.50 (88.9)
URS101BDQCH	10.88 (276.4)	8.00 (203.2)	3.50 (88.9)
URS101BCPLCH	10.88 (276.4)	8.00 (203.2)	3.50 (88.9)
URS101BCH	10.88 (276.4)	8.00 (203.2)	3.50 (88.9)
UHTRS101BCH	10.88 (276.4)	8.00 (203.2)	3.50 (88.9)
UHTRS111BCH	14.00 (355.6)	11.00 (279.4)	4.38 (111.3)
UHTRS101LCH	10.88 (276.4)	8.00 (203.2)	3.50 (88.9)
UHTRS101CE	11.05 (280.7)	8.22 (208.8)	3.61 (91.7)
UHTRS101BE	11.05 (280.7)	8.22 (208.8)	3.61 (91.7)
UGRS10101CKCCH	12.00 (304.8)	8.00 (203.2)	3.50 (88.9)
UGHTRS111CCH	14.00 (355.6)	11.00 (279.4)	4.36 (110.7)
UGHTRS101BCH	10.88 (276.4)	8.00 (203.2)	3.50 (88.9)
UBHRS101BCH	10.88 (276.4)	8.00 (203.2)	3.50 (88.9)
UATRZS101CFLCH	10.88 (276.4)	8.00 (203.2)	3.50 (88.9)
UATRZS101CCH	10.87 (276.1)	8.00 (203.2)	3.50 (88.9)
1008947CH	10.89 (276.6)	8.00 (203.2)	3.50 (88.9)
1005826ACH	N/A	N/A	N/A
1004931BCH	10.88 (276.4)	8.00 (203.2)	3.50 (88.9)
1004162ACH	10.89 (276.6)	8.00 (203.2)	3.50 (88.9)
1003880ACH	10.89 (276.6)	8.00 (203.2)	3.50 (88.9)
UTZRS101BFLCH	N/A	N/A	N/A
UTZRS101CFLCH	N/A	N/A	N/A
1009079CH	23.75 (603.3)	8.00 (203.2)	3.48 (88.4)

Residential Ring Type Cover

Catalog Number	Height	Width	Depth
URTRS223ACH	13.00 (330.2)	13.00 (330.2)	4.93 (125.2)
URRS213CCH	15.00 (381.0)	11.00 (279.4)	4.38 (111.3)
URTRS213NEUSCH	15.00 (381.0)	11.00 (279.4)	4.38 (111.3)
URTRS213CEUSCH	15.00 (381.0)	11.00 (279.4)	4.38 (111.3)
1009424CH	15.00 (381.0)	11.00 (279.4)	4.38 (111.3)
1009449CH	18.31 (465.1)	14.19 (360.4)	5.13 (130.3)
URSTRS203BCH	N/A	N/A	N/A
URS212BCRCH	14.00 (355.6)	8.00 (203.2)	4.38 (111.3)
URTRS202BCH	14.00 (355.6)	11.00 (279.4)	4.38 (111.3)
URTRS213BE	14.00 (355.6)	8.00 (203.2)	4.50 (114.3)
URTRS202BCH	15.13 (384.3)	11.25 (285.8)	4.50 (114.3)
URTRS213CE	15.13 (384.3)	11.25 (285.8)	4.50 (114.3)
URTRS213BEUSCH	15.13 (384.3)	11.25 (285.8)	4.50 (114.3)
URTRS202NEUSCH	14.00 (355.6)	8.00 (203.2)	4.38 (111.3)
UNRRS202BEUSCH	14.00 (355.6)	8.00 (203.2)	4.38 (111.3)
UNRRS213CEUSE	15.13 (384.3)	11.25 (285.8)	4.50 (114.3)
UNRRS213BEUSE	15.13 (384.3)	11.25 (285.8)	4.50 (114.3)
UNRRS213AEUSE	15.13 (384.3)	11.25 (285.8)	4.50 (114.3)
1009097CH	19.00 (482.6)	13.00 (330.2)	5.25 (133.4)
URS101BCRCH	10.88 (276.4)	8.00 (203.2)	3.50 (88.9)
URRS101LCH	10.88 (276.4)	8.00 (203.2)	3.50 (88.9)
URTRS101BE	11.00 (279.4)	8.25 (209.6)	3.63 (92.2)
URTRS101CE	11.00 (279.4)	8.25 (209.6)	3.63 (92.2)
UNRRS101BEUSE	10.88 (276.4)	8.00 (203.2)	3.50 (88.9)
UNRRS101CEUSE	10.88 (276.4)	8.00 (203.2)	3.50 (88.9)
UNRRS111BEUSE	14.00 (355.6)	11.00 (279.4)	4.38 (111.3)
URSTRS101BCH	10.88 (276.4)	8.00 (203.2)	3.50 (88.9)

4.1

Metering Products

Meter Sockets

4

Commercial Lever Bypass Sockets



Contents

Description

Description	Page
Single Meter Sockets	V1-T4-2
Commercial Lever Bypass Sockets	
Product Selection	V1-T4-11
Dimensions	V1-T4-15
Multiple Position Horizontal Ganged Sockets	V1-T4-17
Instrument Rated Sockets	V1-T4-23
Residential Pedestals	V1-T4-28
Meter Socket Accessories	V1-T4-30

Commercial Lever Bypass Sockets

Product Description

- Heavy-duty, lever bypass, jaw clamping ringless meter socket design
- 200 A and 320 A styles available
- Single-phase or three-phase
- 4, 5 or 7 terminal available
- 600 Vac maximum rating
- Multiple service design offerings

Standards and Certifications

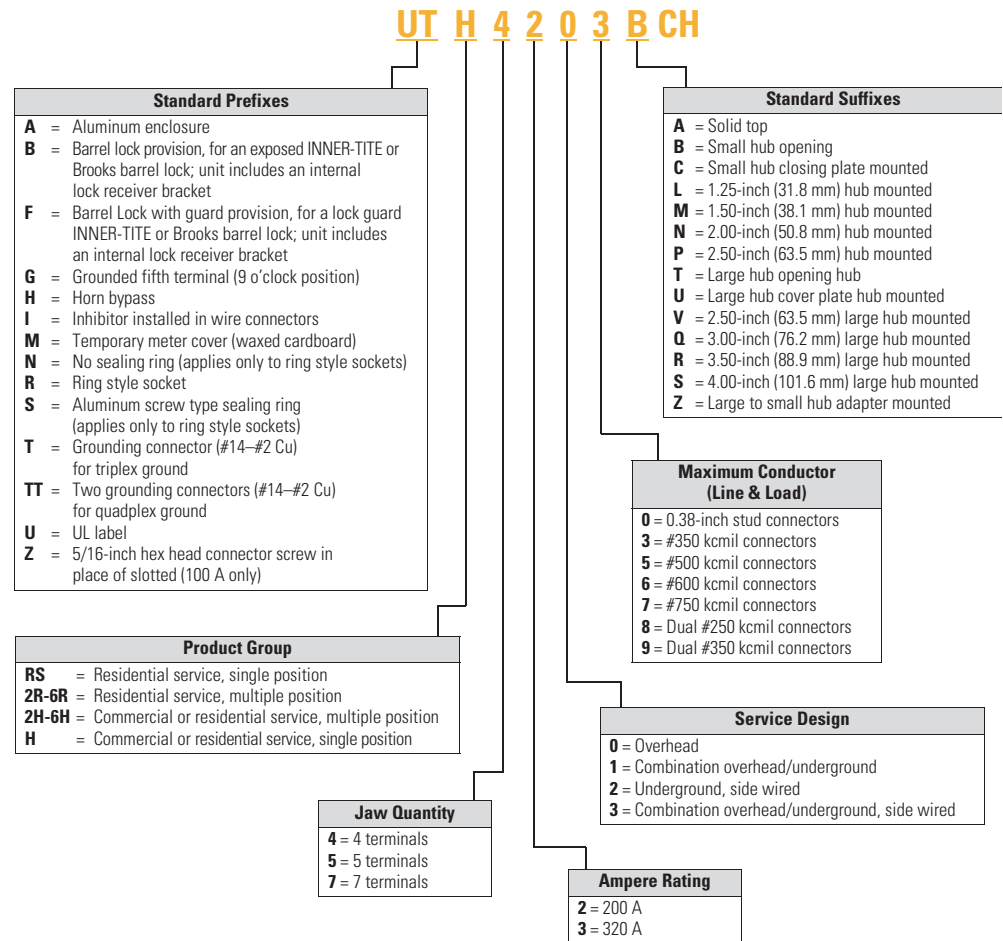
- UL 414 listed and recognized



Catalog Number Selection

Single Meter Sockets H Group

Note: The "U" prefix is always used first followed by other prefixes required in alphabetical order.



Product Selection

Commercial Lever Bypass

Ampere Rating	Jaws	Service	Bypass	Connections Line	Load	Opening, Hub or Closure Plate	Catalog Number
320	7	OH/UG	Lever	#4-600 kcmil	#4-600 kcmil	5x5 hub opening	UTTH7336TCH
320	7	OH	Lever	#600 kcmil	Dual #6-350	5x5 hub opening	UTH73069THLCH
320	7	OH/UG	Lever	#14-1/0 cu/al	#6-350 kcmil	5x5 hub cover plate	UTH73369UHLCH
320	7	OH/UG	Lever	#14-1/0 cu/al	#6-350 kcmil	5x5 hub opening	UTH73369THLCH
320	7	OH/UG	Lever	3/8-inch studs	3/8-inch studs	5x5 hub cover plate	UFTH7330UCH
320	7	OH/UG	Lever	#600 kcmil	#600 kcmil	5x5 hub opening	UTH7336TCH
320	7	OH/UG	Lever	3/8-inch studs	3/8-inch studs	5x5 hub cover plate	UTH7330UCH
320	7	OH/UG	Lever	3/8-inch studs	3/8-inch studs	5x5 hub cover plate	UTH7330UFLCH
320	7	OH/UG	Lever	3/8-inch studs	3/8-inch studs	5x5 hub cover plate	UATH7330UFLCH ①
320	7	OH/UG	Lever	3/8-inch studs	3/8-inch studs	5x5 hub opening	UH7330TCPLCH
320	7	OH/UG	Lever	3/8-inch studs	3/8-inch studs	5x5 hub opening	UTH7330TCH
320	7	OH/UG	Lever	3/8-inch studs	3/8-inch studs	5x5 hub-inch opening	UTTH7330TCH
320	7	OH/UG	Lever	3/8-inch studs	3/8-inch studs	5x5 hub cover plate	UH7300UCPLCH
320	7	OH/UG	Lever	3/8-inch studs	3/8-inch studs	5x5 hub cover plate	UTH7300UCH
320	7	OH/UG	Lever	3/8-inch studs	3/8-inch studs	5x5 hub opening	UTH7300TCH
320	7	OH/UG	Lever	#6-350 kcmil	#6-350 kcmil	Hub closure plate	1006353CCH ②
320	5	OH/UG	Lever	3/8-inch studs	3/8-inch studs	5x5 hub cover plate	UTH5330UFLCH
320	5	OH/UG	Lever	3/8-inch studs	3/8-inch studs	5x5 hub cover plate	UTH5330UCH
320	5	OH	Lever	3/8-inch studs	3/8-inch studs	5x5 hub opening	UTH5300TCH
320	5	OH/UG	Lever	3/8-inch studs	3/8-inch studs	5x5 hub cover plate	UATH5330UFLCH
320	4	OH/UG	lever	#4-600 kcmil	#4-600 kcmil	Hub closure plate	1010468CH ②
320	4	UG	Lever	3/8-inch studs	3/8-inch studs	Solid top	UTH4320ACH
320	4	UG	Lever	3/8-inch studs	Dual #6-350	Solid top	UTH43209ACH
320	4	OH/UG	Lever	#6-350 kcmil	#6-350 kcmil	5x5 hub cover plate	UTH4339UCH
320	4	OH/UG	Lever	#6-250 kcmil	#6-250 kcmil	5x5 hub cover plate	UTH4338UCH
320	4	OH/UG	Lever	#4-600 kcmil	#4-600 kcmil	5x5 hub cover plate	UTH4336UCH
320	4	OH/UG	Lever	#4-600 kcmil	#4-600 kcmil	5x5 hub opening	UTH4336TCH
320	4	OH/UG	Lever	#4-600 kcmil	#6-350 kcmil	5x5 hub cover plate	UTH43369UCH
320	4	OH/UG	Lever	#4-600 kcmil	#6-350 kcmil	5x5 hub opening	UTH43369TCH
320	4	OH/UG	Lever	3/8-inch studs	3/8-inch studs	3-5/16 hub cover plate	UTTH4330UCH
320	4	OH/UG	Lever	3/8-inch studs	3/8-inch studs	3-5/16 hub cover plate	UTH4330UCH
320	4	OH/UG	Lever	3/8-inch studs	3/8-inch studs	5x5 hub opening	UBTH4330TCH
320	4	OH/UG	Lever	3/8-inch studs	3/8-inch studs	5x5 hub opening	UTH4330TCH
320	4	OH/UG	Lever	3/8-inch studs	3/8-inch studs	5x5 cover plate	UTH4300UCH
320	4	OH/UG	Lever	3/8-inch studs	3/8-inch studs	5x5 hub opening	UTH4300TCH
320	5	OH/UG	Lever	3/8-inch studs	3/8-inch studs	5x5 hub cover plate	UH5300UKCCH
320	4	OH/UG	Lever	#6-250 kcmil	#4-600 kcmil	5x5 hub cover plate	UH43168UCPLCH
320	4	OH/UG	Lever	#4-600 kcmil	#6-250 kcmil	5x5 hub cover plate	UH43068TCPLCH
320	5	OH/UG	Lever	3/8-inch studs	3/8-inch studs	5x5 hub cover plate	UGTH4330UCH
320	5	OH/UG	Lever	3/8-inch studs	3/8-inch studs	5x5 hub opening	UGTH4330TCH
320	7	OH/UG	Lever	3/8-inch studs	3/8-inch studs	5x5 hub opening	UFTH7330TCH
320	4	OH/UG	Lever	3/8-inch studs	3/8-inch studs	5x5 hub opening	UFTH4330TCH

Notes

- ① Aluminum enclosure.
- ② Austin Energy approved.

For dimensions, see **Pages V1-T4-15** and **V1-T4-16**.

4.1

Metering Products

Meter Sockets

Commercial Lever Bypass, continued

Ampere Rating	Jaws	Service	Bypass	Connections Line	Load	Opening, Hub or Closure Plate	Catalog Number
320	7	OH/UG	Lever	#4–600 kcmil	#4–600 kcmil	5x5 hub opening	UATH7336TCH
320	5	OH/UG	Lever	3/8-inch studs	3/8-inch studs	5x5 hub cover plate	UATH5330UFLCH
320	4	OH/UG	Lever	#4–600 kcmil	#4–600 kcmil	5x5 hub opening	UATH4336TCH
320	4	OH/UG	Lever	3/8-inch studs	3/8-inch studs	5x5 hub opening	UATH4330TCH
320	4	OH/UG	Lever	3/8-inch studs	3/8-inch studs	5x5 hub cover plate	1009788CH
320	4	OH/UG	Lever	3/8-inch studs	3/8-inch studs	5x5 hub cover plate	1009788ACH [Ⓢ]
320	4	OH/UG	Lever	Dual #6–350	Dual #6–350	(2) 5x5 hub cover plates	1009760ACH
320	4	OH/UG	Lever	Dual #6–350	Dual #6–350	5x5 hub cover plate	1009722CH
320	4	OH/UG	Lever	3/8-inch studs	3/8-inch studs	5x5 hub cover plate	782116975945
320	4	OH/UG	Lever	3/8-inch studs	3/8-inch studs	5x5 hub cover plate	1009260CH
320	7	OH/UG	Lever	#4–600 kcmil/ Dual 1/0–250 kcmil cu/al	#4–600 kcmil/ Dual 1/0–250 kcmil cu/al	5x5 hub opening	1009181CH
320	4	UG	Lever	#6–350 kcmil	#6–350 kcmil	Solid top	1009018CH
320	4	OH/UG	Lever	3/8-inch studs	3/8-inch studs	5x5 hub opening	1008950CH
320	4	OH/UG	Lever	3/8-inch studs	3/8-inch studs	5x5 hub opening	1008948CH
320	4	UG	Lever	3/8-inch studs	3/8-inch studs	Solid top	1008848CH
320	4	OH/UG	Lever	3/8-inch studs	3/8-inch studs	5x5 hub opening	1008837CH
320	4	OH/UG	Lever	3/8-inch studs	3/8-inch studs	5x5 hub opening	1008836CH
320	7	OH/UG	Lever	3/8-inch studs	3/8-inch studs	5x5 hub opening	1008798CH
320	4	OH/UG	Lever	3/8-inch studs	3/8-inch studs	5x5 hub opening	1008793CH
320	5	OH/UG	Lever	3/8-inch studs	3/8-inch studs	5x5 hub opening	1008792CH
320	7	OH/UG	Lever	#4–600 kcmil/ Dual 1/0–250 kcmil cu/al	#4–600 kcmil/ Dual 1/0–250 kcmil cu/al	5x5 hub opening	1008543CH
320	4	OH/UG	Lever	#4–600 kcmil cu/al	#4–600 kcmil cu/al	5x5 hub opening	1008541CH
320	4	UG	Lever	N/A	N/A	Solid top	1008540CH
320	4	OH/UG	Lever	#4–600 kcmil cu/al	#4–600 kcmil cu/al	Solid top	1008435CH
320	4	OH/UG	Lever	3/8-inch studs	3/8-inch studs	5x5 hub opening	1008191CH
320	4	OH/UG	Lever	#6–350 kcmil	#6–350 kcmil	5x5 hub opening	1008068CH
320	4	OH/UG	Lever	N/A	N/A	N/A	1007818CH
320	4	OH/UG	Lever	3/8-inch studs	3/8-inch studs	5x5 hub opening	1007801CH
320	4	OH/UG	Lever	3/8-inch studs	3/8-inch studs	5x5 hub opening	1007672CH
320	4	OH/UG	Lever	#6–350 kcmil	#6–350 kcmil	5x5 hub opening	1006344ACH
320	4	OH/UG	Lever	TBD	TBD	5x5 hub opening	1004984ACH
320	4	OH/UG	N/A	#4–600 kcmil	#4–600 kcmil	3-inch bolt-on hub	1004771BCH
200	7	OH/UG	Lever	3/8-inch studs	3/8-inch studs	N/A	UBTH7230ACH
200	7	OH/UG	Lever	#6–350 kcmil	#6–350 kcmil	5x5 hub cover plate	UTH7233UCH

Notes

[Ⓢ] Bolted in shield.

For dimensions, see **Pages V1-T4-15 and V1-T4-16**.

Commercial Lever Bypass, continued

Ampere Rating	Jaws	Service	Bypass	Connections Line	Load	Opening, Hub or Closure Plate	Catalog Number
200	7	OH/UG	Lever	#6-350 kcmil	#6-350 kcmil	5x5 hub cover plate	UTE7213UFLCH
200	7	OH/UG	Lever	#6-350 kcmil	#6-350 kcmil	3-5/16 hub cover plate	UETH72137UCH
200	7	OH/UG	Lever	#6-350 kcmil	#6-350 kcmil	3-5/16 hub cover plate	UTE7213UCH
200	7	OH/UG	Lever	#6-350 kcmil	#6-350 kcmil	5x5 hub opening	UTE7213THLCH
200	7	OH/UG	Lever	#6-350 kcmil	#6-350 kcmil	5x5 hub opening	UBHRS212BCH
200	7	OH/UG	Lever	#6-350 kcmil	#6-350 kcmil	5x5 hub opening	UBEH7213TCH
200	7	OH/UG	Lever	#6-350 kcmil	#6-350 kcmil	5x5 hub opening	UTFE7213TCH ^①
200	7	OH/UG	Lever	#6-350 kcmil	#6-350 kcmil	Large to small hub adapter	UTE7213ZCH
200	7	OH/UG	Lever	#6-350 kcmil	#6-350 kcmil	5x5 hub opening	UTE7213TCH
200	7	OH/UG	Lever	#6-350 kcmil	#6-350 kcmil	3-5/16 hub cover plate	UTE7213CFLCH
200	7	OH/UG	Lever	#6-350 kcmil	#6-350 kcmil	3-5/16 hub cover plate	UTE7213CCH
200	7	OH/UG	Lever	#6-350 kcmil	#6-350 kcmil	3-5/16 hub opening	UBTE7213BCH
200	7	OH/UG	Lever	#6-350 kcmil	#6-350 kcmil	3-5/16 hub opening	UTE7213BCH
200	7	OH/UG	Lever	3/8-inch studs	3/8-inch studs	5x5 hub cover plate	UTE7210UCH
200	7	OH	Lever	#6-350 kcmil	#6-350 kcmil	5x5 hub opening	UTE7203TCH
200	7	OH	Lever	#6-350 kcmil	#6-350 kcmil	3-5/16 hub opening	UTE7203BCH
200	5	OH/UG	Lever	#6-350 kcmil	#6-350 kcmil	5x5 hub cover plate	UETH5213UCH
200	5	OH/UG	Lever	#6-350 kcmil	#6-350 kcmil	5x5 hub opening	UTE5213TCH
200	5	OH/UG	Lever	#6-350 kcmil	#6-350 kcmil	5x5 hub opening	UTTE5213TCH
200	5	OH/UG	Lever	#6-350 kcmil	#6-350 kcmil	3-5/16 hub cover plate	UTE5213CCH
200	5	OH/UG	Lever	#6-350 kcmil	#6-350 kcmil	3-5/16 hub opening	UTE5213BNDCH
200	5	OH/UG	Lever	#6-350 kcmil	#6-350 kcmil	Large to small hub adapter	UTE5213ZCH
200	5	OH/UG	Lever	#6-350 kcmil	#6-350 kcmil	5x5 hub cover plate	UTE5213UFLCH
200	5	OH/UG	Lever	#6-350 kcmil	#6-350 kcmil	3-5/16 hub cover plate	UTE5213CFLCH
200	5	OH/UG	Lever	#6-350 kcmil	#6-350 kcmil	3-5/16 hub opening	UTE5213BCH
200	5	OH/UG	Lever	3/8-inch studs	3/8-inch studs	3-5/16 hub cover plate	UTE5210CCH
200	5	OH	Lever	#6-350 kcmil	#6-350 kcmil	3-5/16 hub opening	UTE5203BCH
200	4	OH/UG	Lever	#6-350 kcmil	#6-350 kcmil	5x5 hub opening with adapter plate	UTE4213ZCH
200	5	OH/UG	Lever	#6-350 kcmil	#6-350 kcmil	5x5 hub cover plate	UGTE4213CCH
200	4	OH/UG	Lever	#6-350 kcmil	#6-350 kcmil	5x5 hub opening	UTE4213TCH
200	4	OH/UG	Lever	#6-350 kcmil	#6-350 kcmil	5x5 hub cover plate	UTTE4213UCH ^②

Notes

- ① Barrel lock.
- ② TT = quadplex ground.

For dimensions, see Pages V1-T4-15 and V1-T4-16.

Commercial Lever Bypass, continued

Ampere Rating	Jaws	Service	Bypass	Connections Line	Load	Opening, Hub or Closure Plate	Catalog Number
200	4	OH/UG	Lever	#6–350 kcmil	#6–350 kcmil	5x5 hub cover plate	UTE4213CCH
200	4	OH/UG	Lever	#6–350 kcmil	#6–350 kcmil	3-5/16 hub opening	UTE4213BCH
200	4	OH	Lever	#6–350 kcmil	#6–350 kcmil	3-5/16 hub opening	UTE4203BCH
200	7	OH/UG	Lever	#6–350 kcmil	#6–350 kcmil	5x5 hub cover plate	UIH7213UCVCH
200	7	OH/UG	Lever	#6–350 kcmil	#6–350 kcmil	3-5/16 hub cover plate	UE7213CCCCH
200	7	OH/UG	Lever	#6–350 kcmil	#6–350 kcmil	3-5/16 hub cover plate	UE7213CCPLCH
200	7	OH/UG	Lever	#6–350 kcmil	#6–350 kcmil	3-5/16 hub opening	UE7213BCPLCH
200	5	OH/UG	Lever	#6–350 kcmil	#6–350 kcmil	3-5/16 hub opening	UGTE4213BCH
200	4	OH/UG	Lever	#6–350 kcmil	#6–350 kcmil	3-5/16 hub cover plate	UGE4213CCCCH
200	7	OH/UG	Lever	#6–350 kcmil	#6–350 kcmil	3-5/16 hub opening	UFTE7213BCH
200	7	OH/UG	Lever	#6–350 kcmil	#6–350 kcmil	5x5 hub opening	UATE7213TCH
200	5	OH/UG	Lever	#6–350 kcmil	#6–350 kcmil	3-5/16 hub cover plate	UATE5213CCH
200	4	OH/UG	Lever	#6–350 kcmil	#6–350 kcmil	5x5 hub cover plate	UATE4213UFLCH
200	5	OH	Lever	#6–350 kcmil	#6–350 kcmil	3-5/16 hub opening	UBGTE4203BCH
200	7	UG	Lever	4/0 compression line	#6–350 kcmil cu/al load	Solid top	1009845ECH
200	5	OH/UG	Lever	#6–350 kcmil	#6–350 kcmil	3-5/16 hub cover plate	1008801ECH
200	5	OH/UG	Lever	3/8-inch studs	3/8-inch studs	3-5/16 hub cover plate	1008832ECH
200	4	UG	Lever	#6–350 kcmil	#6–350 kcmil	Solid top	1007944ECH
200	7	OH/UG	Lever	#6–350 kcmil cu/al	#6–350 kcmil cu/al	5x5 hub opening	1007670ECH
200	7	OH/UG	Lever	#6–350 kcmil	#6–350 kcmil	5x5 hub opening	UTTE7213TCH

NoteFor dimensions, see **Pages V1-T4-15** and **V1-T4-16**.

Dimensions

Approximate Dimensions in Inches (mm)

Commercial Lever Bypass

Catalog Number	Height	Width	Depth
UTTH7336TCH	39.89 (1013.2)	20.00 (508.0)	6.50 (165.1)
UTH73069THLCH	N/A	N/A	N/A
UTH73369UHLCH	39.89 (1013.2)	20.00 (508.0)	6.50 (165.1)
UTH73369THLCH	39.89 (1013.2)	20.00 (508.0)	6.50 (165.1)
UFTH7330UCH	39.89 (1013.2)	20.00 (508.0)	6.50 (165.1)
UTH7336TCH	39.89 (1013.2)	20.00 (508.0)	6.50 (165.1)
UTH7330UCH	39.89 (1013.2)	20.00 (508.0)	6.50 (165.1)
UTH7330UFLCH	39.89 (1013.2)	20.00 (508.0)	6.50 (165.1)
UATH7330UFLCH ①	39.89 (1013.2)	20.00 (508.0)	6.50 (165.1)
UH7330TCPPLCH	39.89 (1013.2)	20.00 (508.0)	6.50 (165.1)
UTH7330TCH	39.89 (1013.2)	20.00 (508.0)	6.50 (165.1)
UTTH7330TCH	39.89 (1013.2)	20.00 (508.0)	6.50 (165.1)
UH7300UCPLCH	39.89 (1013.2)	20.00 (508.0)	6.50 (165.1)
UTH7300UCH	39.89 (1013.2)	20.00 (508.0)	6.50 (165.1)
UTH7300TCH	34.50 (876.3)	15.00 (381.0)	5.63 (143.0)
UTH5330UFLCH	39.88 (1013.0)	20.00 (508.0)	6.50 (165.1)
UTH5330UCH	39.88 (1013.0)	20.00 (508.0)	6.50 (165.1)
UTH5300TCH	39.88 (1013.0)	20.00 (508.0)	6.50 (165.1)
UATH5330UFLCH	39.88 (1013.0)	20.00 (508.0)	6.50 (165.1)
UTH4320ACH	26.00 (660.4)	15.00 (381.0)	5.68 (144.3)
UTH43209ACH	N/A	N/A	N/A
UTH4339UCH	36.63 (930.4)	15.00 (381.0)	5.69 (144.5)
UTH4338UCH	29.00 (736.6)	15.00 (381.0)	5.69 (144.5)
UTH4336UCH	36.63 (930.4)	15.00 (381.0)	5.69 (144.5)
UTH4336TCH	36.63 (930.4)	15.00 (381.0)	5.69 (144.5)
UTH43369UCH	36.63 (930.4)	15.00 (381.0)	5.69 (144.5)
UTH43369TCH	36.63 (930.4)	15.00 (381.0)	5.69 (144.5)
UTTH4330UCH	36.63 (930.4)	15.00 (381.0)	5.69 (144.5)
UTH4330UCH	36.63 (930.4)	15.00 (381.0)	5.69 (144.5)
UBTH4330TCH	36.63 (930.4)	15.00 (381.0)	5.69 (144.5)
UTH4330TCH	36.63 (930.4)	15.00 (381.0)	5.69 (144.5)
UTH4300UCH	34.50 (876.3)	13.00 (330.2)	4.94 (125.5)
UTH4300TCH	34.50 (876.3)	13.00 (330.2)	4.94 (125.5)
UH5300UKCCH	34.50 (876.3)	13.00 (330.2)	4.94 (125.5)
UH43168UCPLCH	34.50 (876.3)	15.00 (381.0)	5.69 (144.5)
UH43068TCPPLCH	34.50 (876.3)	13.00 (330.2)	4.94 (125.5)
UGTH4330UCH	36.63 (930.4)	15.00 (381.0)	5.69 (144.5)
UGTH4330TCH	36.63 (930.4)	15.00 (381.0)	5.69 (144.5)
UFTH7330TCH	39.88 (1013.0)	20.00 (508.0)	6.50 (165.1)
UFTH4330TCH	36.63 (930.4)	15.00 (381.0)	5.69 (144.5)

Commercial Lever Bypass, continued

Catalog Number	Height	Width	Depth
UATH7336TCH	39.88 (1013.0)	20.00 (508.0)	6.50 (165.1)
UATH5330UFLCH	39.88 (1013.0)	20.00 (508.0)	6.50 (165.1)
UATH4336TCH	36.63 (930.4)	15.00 (381.0)	5.69 (144.5)
UATH4330TCH	36.63 (930.4)	15.00 (381.0)	5.69 (144.5)
1009788CH	34.50 (876.3)	13.00 (330.2)	4.94 (125.5)
1009788ACH ②	34.50 (876.3)	13.00 (330.2)	4.94 (125.5)
1009760ACH	36.63 (930.4)	15.00 (381.0)	5.68 (144.3)
1009722CH	36.63 (930.4)	15.00 (381.0)	5.68 (144.3)
782116975945	36.63 (930.4)	15.00 (381.0)	5.69 (144.5)
1009260CH	36.63 (930.4)	15.00 (381.0)	5.69 (144.5)
1009181CH	34.50 (876.3)	15.00 (381.0)	5.69 (144.5)
1009018CH	63.00 (1600.2)	12.97 (329.4)	4.94 (125.5)
1008950CH	39.88 (1013.0)	20.00 (508.0)	6.50 (165.1)
1008948CH	36.63 (930.4)	15.00 (381.0)	5.69 (144.5)
1008848CH	58.00 (1473.2)	12.97 (329.4)	4.94 (125.5)
1008837CH	36.63 (930.4)	15.00 (381.0)	6.50 (165.1)
1008836CH	36.63 (930.4)	15.00 (381.0)	6.50 (165.1)
1008798CH	34.50 (876.3)	15.00 (381.0)	5.69 (144.5)
1008793CH	34.50 (876.3)	13.00 (330.2)	4.94 (125.5)
1008792CH	34.50 (876.3)	13.00 (330.2)	4.94 (125.5)
1008543CH	39.89 (1013.2)	20.00 (508.0)	6.60 (167.6)
1008541CH	36.63 (930.4)	15.00 (381.0)	5.69 (144.5)
1008540CH	N/A	N/A	N/A
1008435CH	26.00 (660.4)	15.00 (381.0)	5.69 (144.5)
1008191CH	36.63 (930.4)	15.00 (381.0)	5.69 (144.5)
1008068CH	34.50 (876.3)	16.44 (417.6)	6.50 (165.1)
1007818CH	N/A	N/A	N/A
1007801CH	28.50 (723.9)	18.00 (457.2)	5.69 (144.5)
1007672CH	36.63 (930.4)	15.00 (381.0)	5.69 (144.5)
1006344ACH	28.50 (723.9)	18.00 (457.2)	5.69 (144.5)
1004984ACH	36.63 (930.4)	15.00 (381.0)	5.69 (144.5)
1004771BCH	36.62 (930.1)	15.00 (381.0)	5.68 (144.3)
UBTH7230ACH	N/A	N/A	N/A
UTH7233UCH	27.00 (685.8)	16.00 (406.4)	5.63 (143.0)

Notes

- ① Aluminum enclosure.
- ② Bolted in shield.

4.1

Metering Products

Meter Sockets

Approximate Dimensions in Inches (mm)

Commercial Lever Bypass, continued

Catalog Number	Height	Width	Depth
UTE7213UFLCH	19.00 (482.6)	13.00 (330.2)	4.94 (125.5)
UETH72137UCH	19.00 (482.6)	13.00 (330.2)	4.94 (125.5)
UTE7213UCH	19.00 (482.6)	13.00 (330.2)	4.94 (125.5)
UTE7213THLCH	19.00 (482.6)	13.00 (330.2)	4.94 (125.5)
UBHRS212BCH	19.00 (482.6)	13.00 (330.2)	4.94 (125.5)
UBEH7213TCH	19.00 (482.6)	13.00 (330.2)	4.94 (125.5)
UFTE7213TCH ①	19.00 (482.6)	13.00 (330.2)	4.94 (125.5)
UTE7213ZCH	19.00 (482.6)	13.00 (330.2)	4.94 (125.5)
UTE7213TCH	19.00 (482.6)	13.00 (330.2)	4.94 (125.5)
UTE7213CFLCH	19.00 (482.6)	13.00 (330.2)	4.94 (125.5)
UTE7213CCH	19.00 (482.6)	13.00 (330.2)	4.94 (125.5)
UBTE7213BCH	19.00 (482.6)	13.00 (330.2)	4.94 (125.5)
UTE7213BCH	19.00 (482.6)	13.00 (330.2)	4.94 (125.5)
UTE7210UCH	24.69 (627.1)	13.00 (330.2)	4.94 (125.5)
UTE7203TCH	19.00 (482.6)	10.50 (266.7)	4.94 (125.5)
UTE7203BCH	19.00 (482.6)	10.50 (266.7)	4.94 (125.5)
UETH5213UCH	19.00 (482.6)	13.00 (330.2)	4.94 (125.5)
UTE5213TCH	19.00 (482.6)	13.00 (330.2)	4.94 (125.5)
UTTE5213TCH	19.00 (482.6)	13.00 (330.2)	4.94 (125.5)
UTE5213CCH	19.00 (482.6)	13.00 (330.2)	4.94 (125.5)
UTE5213BNDCH	19.00 (482.6)	13.00 (330.2)	4.94 (125.5)
UTE5213ZCH	19.00 (482.6)	13.00 (330.2)	4.94 (125.5)
UTE5213UFLCH	19.00 (482.6)	13.00 (330.2)	4.94 (125.5)
UTE5213CFLCH	19.00 (482.6)	13.00 (330.2)	4.94 (125.5)
UTE5213BCH	19.00 (482.6)	13.00 (330.2)	4.94 (125.5)
UTE5210CCH	20.13 (511.3)	13.00 (330.2)	4.94 (125.5)
UTE5203BCH	19.00 (482.6)	10.50 (266.7)	4.94 (125.5)
UTE4213ZCH	19.00 (482.6)	13.00 (330.2)	4.94 (125.5)
UGTE4213CCH	19.00 (482.6)	13.00 (330.2)	4.94 (125.5)
UTE4213TCH	19.00 (482.6)	13.00 (330.2)	4.94 (125.5)
UTTE4213UCH ②	19.00 (482.6)	13.00 (330.2)	4.94 (125.5)
UTE4213CCH	19.00 (482.6)	13.00 (330.2)	4.94 (125.5)
UTE4213BCH	19.00 (482.6)	13.00 (330.2)	4.94 (125.5)
UTE4203BCH	19.00 (482.6)	10.50 (266.7)	4.94 (125.5)
UIH7213UCVCH	19.00 (482.6)	13.00 (330.2)	4.94 (125.5)
UE7213CCCH	19.00 (482.6)	13.00 (330.2)	4.94 (125.5)
UE7213CCPLCH	19.00 (482.6)	13.00 (330.2)	4.94 (125.5)
UE7213BCPLCH	19.00 (482.6)	13.00 (330.2)	4.94 (125.5)

Commercial Lever Bypass, continued

Catalog Number	Height	Width	Depth
UGTE4213BCH	19.00 (482.6)	13.00 (330.2)	4.94 (125.5)
UGE4213CCCH	19.00 (482.6)	13.00 (330.2)	4.94 (125.5)
UFTE7213BCH	19.00 (482.6)	13.00 (330.2)	4.94 (125.5)
UATE7213TCH	19.00 (482.6)	13.00 (330.2)	4.94 (125.5)
UATE5213CCH	19.00 (482.6)	13.00 (330.2)	4.94 (125.5)
UATE4213UFLCH	19.00 (482.6)	13.00 (330.2)	4.94 (125.5)
UBGTE4203BCH	19.00 (482.6)	10.50 (266.7)	4.94 (125.5)
1009845ECH	64.00 (1625.6)	11.00 (279.4)	6.00 (152.4)
1008801ECH	19.00 (482.6)	13.00 (330.2)	4.94 (125.5)
1008832ECH	24.69 (627.1)	13.00 (330.2)	4.94 (125.5)
1007944ECH	22.00 (558.8)	16.00 (406.4)	5.69 (144.5)
1007670ECH	19.00 (482.6)	13.00 (330.2)	4.94 (125.5)
UTTE7213TCH	19.00 (482.6)	13.00 (330.2)	4.94 (125.5)

Notes

- ① Barrel lock.
- ② TT = quadplex ground.

Multiple Position Horizontal Ganged Sockets



Contents

Description	Page
Single Meter Sockets	V1-T4-2
Commercial Lever Bypass Sockets	V1-T4-10
Multiple Position Horizontal Ganged Sockets	
Product Selection	V1-T4-18
Dimensions	V1-T4-21
Instrument Rated Sockets	V1-T4-23
Residential Pedestals	V1-T4-28
Meter Socket Accessories	V1-T4-30

Multiple Position Horizontal Ganged Sockets

Product Description

- Available in 100 A and 200 A designs
- Available in 2-position through 6-position designs
- Multiple service design offerings
- Multiple line/load lug configurations
- Residential or lever bypass socket designs

Multiple hub opening and closure plate sizes available

Catalog Number Selection

Single Meter Sockets 2R-6R and 2H-6H Group

Note: The "U" prefix is always used first followed by other prefixes required in alphabetical order.

UT 2R 1 1 2 1 B CH

Standard Prefixes	
A	= Aluminum enclosure
B	= Barrel lock provision, for an exposed INNER-TITE or Brooks barrel lock; unit includes an internal lock receiver bracket
F	= Barrel lock with guard provision, for a lock guard INNER-TITE or Brooks barrel lock; unit includes an internal lock receiver bracket
G	= Grounded fifth terminal (9 o'clock position)
H	= Horn bypass
I	= Inhibitor installed in wire connectors
M	= Temporary meter cover (waxed cardboard)
N	= No sealing ring (applies only to ring style sockets)
R	= Ring style socket
S	= Aluminum screw type sealing ring (applies only to ring style sockets)
T	= Grounding connector (#14-#2 Cu) for triplex ground
TT	= Two grounding connectors (#14-#2 Cu) for quadplex ground
U	= UL label
Z	= 5/16-inch hex head connector screw in place of slotted (100 A only)

Product Group	
RS	= Residential service, single position
2R-6R	= Residential service, multiple position
2H-6H	= Commercial or residential service, multiple position
H	= Commercial or residential service, single position

Ampere Rating	
1	= 100 A
2	= 200 A

Service Design	
0	= Overhead
1	= Combination overhead/underground
2	= Underground, side wired
3	= Combination overhead/underground, side wired
4	= End feed

Standard Suffixes	
A	= Solid top
B	= Small hub opening
C	= Small hub closing plate mounted
L	= 1.25-inch (31.8 mm) hub mounted
M	= 1.50-inch (38.1 mm) hub mounted
N	= 2.00-inch (50.8 mm) hub mounted
P	= 2.50-inch (63.5 mm) hub mounted
T	= Large hub opening hub
U	= Large hub cover plate hub mounted
V	= 2.50-inch (63.5 mm) large hub mounted
Q	= 3.00-inch (76.2 mm) large hub mounted
R	= 3.50-inch (88.9 mm) large hub mounted
S	= 4.00-inch (101.6 mm) large hub mounted
Z	= Large to small hub adapter mounted

Maximum Load Conductor	
0	= 0.38-inch stud connectors
1	= #2/0 connectors
2	= #250 kcmil connectors
3	= #350 kcmil connectors
5	= #500 kcmil connectors
6	= #600 kcmil connectors
7	= #750 kcmil connectors
8	= Dual #500 kcmil connectors

Maximum Line Conductor	
0	= 0.38-inch stud connectors
1	= #2/0 connectors
2	= #250 kcmil connectors
3	= #350 kcmil connectors
5	= #500 kcmil connectors
6	= #600 kcmil connectors
7	= #750 kcmil connectors
8	= Dual #500 kcmil connectors

Product Selection

UT2R2332BCH



Horizontal Design—Multi Position Ringless

Ampere Rating	Jaws	Position	Service	Bypass	Connections Line	Load	Opening, Hub or Closure Plate	Catalog Number
200	4	2	OH/UG	Horn	#6–350 kcmil	#8–250 kcmil	5x5 hub opening	1004401BCH
200	4	3	OH/UG	Horn	#6–350 kcmil	#8–250 kcmil	5x5 hub opening	1004404BCH
200	5	2	OH/UG	Horn	#6–350 kcmil	#8–250 kcmil	5x5 hub opening	1004418ACH
200	4	2	OH/UG	—	3/8-inch stud	#8–250 kcmil	5x5 hub cover plate	1006737BCH
200	4	2	OH/UG	Horn	3/8-inch stud	#8–250 kcmil	5x5 hub opening	1007700CH
200	4	3	OH/UG	Horn	3/8-inch stud	#8–250 kcmil	Hub opening	1007701CH
200	4	2	OH/UG	Horn	#6–350 kcmil	#8–250 kcmil	5x5 hub cover plate	1008842CH
200	4	3	OH/UG	Horn	1/0–500 kcmil cu/al	#8–250 kcmil	5x5 hub cover plate	1008843CH
200	4	4	OH/UG	Horn	1/0–500 kcmil cu/al	#8–250 kcmil	5x5 hub cover plate	1008844CH
200	4	2	OH/UG	Horn	#6–350 kcmil	#8–250 kcmil	5x5 hub cover plate	1008958CH
200	4	3	OH/UG	Horn	1/0–500 kcmil cu/al	#8–250 kcmil	5x5 hub cover plate	1008959CH
200	4	4	OH/UG	Horn	1/0–500 kcmil cu/al	#8–250 kcmil	5x5 hub cover plate	1008960CH
200	4	5	OH/UG	Horn	(2) 1/0–500 kcmil cu/al	#8–250 kcmil	(2) 5x5 hub cover plate	1009579ACH
200	4	4	OH/UG	Horn	1/0–500 kcmil cu/al	#8–250 kcmil	5x5 hub opening	U4R2352TDQCH
200	4	5	OH/UG	Horn	(2) 1/0–500 kcmil cu/al	#8–250 kcmil	(2) 5x5 hub opening	U5R2392TTDQCH
200	4	6	OH/UG	Horn	(2) 1/0–500 kcmil cu/al	#8–250 kcmil	5x5 hub opening (2) places	U6R2392TTDQCH
200	4	4	OH/UG	Horn	1/0–500 kcmil cu/al	#8–250 kcmil	5x5 hub opening	UBH4R2352TCH
200	4	2	OH/UG	Horn	#6–350 kcmil	#8–250 kcmil	5x5 hub opening	UBH2R2332TCH
200	4	3	OH/UG	Horn	#6–350 kcmil	#8–250 kcmil	5x5 hub opening	UBH3R2332TCH
200	4	4	OH/UG	Horn	3/8-inch stud	#8–250 kcmil	5x5 hub cover plate	UEHT4R2302UCH
200	4	3	OH/UG	Horn	3/8-inch stud	#8–250 kcmil	5x5 hub cover plate	UEHT3R2302UCH
200	4	2	OH/UG	Horn	3/8-inch stud	#8–250 kcmil	5x5 hub cover plate	UEHT2R2302UCH
200	4	2	UG	Horn	#6–350 kcmil	#8–250 kcmil	Solid top	UHI2R2332ACVCH
200	4	2	OH/UG	Horn	#6–350 kcmil	#8–250 kcmil	Hub opening	UHI2R2332TCVCH
200	4	4	UG	Horn	1/0–500 kcmil cu/al	#8–250 kcmil	Solid top	UHI4R2352ACVCH
200	4	2	OH/UG	Horn	#6–350 kcmil	#8–250 kcmil	5x5 hub cover plate	UHTT2R2332UCH
200	4	2	OH/UG	Horn	#6–350 kcmil	#8–250 kcmil	5x5 hub opening	UHT2R2332TCH
200	4	3	OH/UG	Horn	#6–350 kcmil	#8–250 kcmil	5x5 hub opening	UHT3R2332TCH
200	4	3	OH/UG	Horn	1/0–500 kcmil cu/al	#8–250 kcmil	5x5 hub cover plate	UHT3R2352UCH
200	4	4	OH/UG	Horn	1/0–500 kcmil cu/al	#8–250 kcmil	5x5 hub opening	UHT4R2352TCH
200	4	4	OH/UG	—	1/0–500 kcmil cu/al	#8–250 kcmil	5x5 hub cover plate	UT4R2352UFLCH
200	4	4	OH/UG	Horn	1/0–500 kcmil cu/al	#8–250 kcmil	5x5 hub cover plate	UHT4R2352UCH
200	5	2	OH/UG	Lever	1/0–500 kcmil cu/al	#6–350 kcmil	5x5 hub opening	UT2H52353TCH
200	4	2	OH/UG	Horn	#6–350 kcmil	#8–250 kcmil	5x5 hub cover plate	UHT2R2332UCH
200	4	2	OH/UG	—	#6–350 kcmil	#8–250 kcmil	3-5/16 hub opening	UT2R2332BCH
200	4	2	OH/UG	—	#6–350 kcmil	#8–250 kcmil	5x5 hub opening	UAT2R2332TCH ^①
200	4	2	OH/UG	—	#6–350 kcmil	#8–250 kcmil	5x5 hub opening	UT2R2332TCH
200	4	2	OH/UG	—	#6–350 kcmil	#8–250 kcmil	5x5 hub opening	U2R2332TCPLCH
200	4	2	OH/UG	—	#6–350 kcmil	#8–250 kcmil	5x5 hub cover plate	U2R2332UCPLCH
200	4	2	OH/UG	Horn	#6–350 kcmil	#8–250 kcmil	5x5 hub opening	U2R2332TDQCH
200	4	2	OH/UG	—	#6–350 kcmil	#8–250 kcmil	5x5 hub cover plate	UT2R2332UCH
200	4	3	OH/UG	Horn	#6–350 kcmil	#8–250 kcmil	Large 5X5 hub opening	U3R2332TDQCH

Notes

① Aluminum enclosure.

For dimensions, see **Page V1-T4-21**.

UT2R1121BCH



Horizontal Design—Multi Position Ringless, continued

Ampere Rating	Jaws	Position	Service	Bypass	Connections Line	Load	Opening, Hub or Closure Plate	Catalog Number
200	4	3	OH/UG	Lever	1/0–500 kcmil cu/al	#6–350 kcmil	5x5 hub opening	UT3H42353TCH
200	5	3	OH/UG	Lever	1/0–500 kcmil cu/al	#6–350 kcmil	5x5 hub opening	UT3H52353TCH
200	7	3	OH/UG	Lever	1/0–500 kcmil cu/al	#6–350 kcmil	5x5 hub cover plate	UT3H72353UHLCH
200	4	3	OH/UG	—	#6–350 kcmil	#8–250 kcmil	5x5 hub opening	UT3R2332TCH
200	4	3	OH/UG	—	#6–350 kcmil	#8–250 kcmil	5x5 hub cover plate	UT3R2332UCH
200	4	3	OH/UG	—	1/0–500 kcmil cu/al	#8–250 kcmil	5x5 hub opening	UT3R2352TCH
200	4	4	OH/UG	—	1/0–500 kcmil cu/al	#8–250 kcmil	5x5 hub opening	UT4R2352TCH
200	4	5	OH/UG	Horn	(2) 1/0–500 kcmil cu/al	#8–250 kcmil	5x5 hub opening (in two places)	UHT5R2392TTCH
200	4	5	OH/UG	—	(2) 1/0–500 kcmil cu/al	#8–250 kcmil	5x5 hub opening (in two places)	UT5R2392TCH
200	7	5	OH/UG	Lever	Dual 1/0–500 kcmil	#6–350 kcmil	(2) 5X5 hub closure plates	UT5H72393UUHLCH
200	4	6	OH/UG	Horn	(2) 1/0–500 kcmil cu/al	#8–250 kcmil	5x5 hub opening (in two places)	UHT6R2392TTCH
200	4	6	OH/UG	—	(2) 1/0–500 kcmil cu/al	#8–250 kcmil	5x5 hub opening (in two places)	UT6R2392TCH
200	4	6	OH/UG	—	(2) 1/0–500 kcmil cu/al	#8–250 kcmil	5x5 closure plate (in two places)	UT6R2392UFLCH
200	7	6	OH/UG	Lever	Dual 1/0–500 kcmil	#6–350 kcmil	5x5 closure plate (in two places)	UT6H72393UUHLCH
200	4	6	OH/UG	Horn	(2) 1/0–500 kcmil cu/al	#8–250 kcmil	5x5 hub opening (in two places)	UHT6R2392TTCH
150	4	2	OH/UG	Horn	#6–350 kcmil	#8–250 kcmil	3-5/16 hub opening	U2R5432BDQCH
150	4	5	OH/UG	—	#6–350 kcmil	#8–250 kcmil	3-5/16 hub opening (in two places)	UT5R5632BCH
100	4	6	OH/UG	—	#6–350 kcmil	#8–2/0 cu/al	3-5/16 hub opening	UT6R1131BCH
100	4	2	OH/UG	Horn	#6–250 kcmil	#8–2/0 cu/al	5x5 hub opening	1004426ACH
100	4	2	OH/UG	Horn	#6–250 kcmil	#8–2/0 cu/al	3-5/16 hub opening	1008951CH
100	4	3	OH/UG	Horn	#6–250 kcmil	#8–2/0 cu/al	3-5/16 hub opening	1008952CH
100	4	2	OH/UG	Horn	#6–250 kcmil	#8–2/0 cu/al	3-5/16 hub cover plate	1009693CH
100	4	3	OH/UG	Horn	#6–250 kcmil	#8–2/0 cu/al	3-5/16 hub cover plate	1009694CH
100	4	4	OH/UG	Horn	#6–250 kcmil	#8–2/0 cu/al	3-5/16 hub cover plate	1009695CH
100	4	5	OH/UG	Horn	#6–250 kcmil	#8–2/0 cu/al	3-5/16 hub cover plate	1009696CH
100	4	6	OH/UG	—	#6–350 kcmil	#8–2/0 cu/al	3-5/16 hub cover plate	UAT26R1131CFLCH ^①
100	4	2	OH/UG	Horn	#6–250 kcmil	#8–2/0 cu/al	3-5/16 hub opening	UBH2R1121BCH
100	4	3	OH/UG	Horn	#6–250 kcmil	#8–2/0 cu/al	3-5/16 hub opening	UBH3R1121BCH
100	4	4	OH/UG	Horn	#6–250 kcmil	#8–2/0 cu/al	3-5/16 hub opening	UBH4R1121BCH
100	4	2	OH/UG	Horn	#6–250 kcmil	#8–2/0 cu/al	3-5/16 hub opening	UHT2R1121BCH
100	4	4	OH/UG	—	#6–250 kcmil	#8–2/0 cu/al	3-5/16 hub opening	UT4R1121BCH
100	4	4	OH/UG	—	#6–250 kcmil	#8–2/0 cu/al	3-5/16 closure plate	UT4R1121CCH
100	4	4	OH/UG	Horn	#6–250 kcmil	#8–2/0 cu/al	3-5/16 hub opening	UHT4R1121BCH
100	4	5	OH/UG	Horn	#6–250 kcmil	#8–2/0 cu/al	3-5/16 hub opening	UHT5R1121BCH
100	4	5	OH/UG	—	#6–250 kcmil	#8–2/0 cu/al	3-5/16 hub opening	UT5R1121BCH
100	4	5	OH/UG	—	#6–250 kcmil	#8–2/0 cu/al	3-5/16 closure plate	UT5R1121CCH
100	4	2	OH/UG	—	#6–250 kcmil	#8–2/0 cu/al	3-5/16 hub opening	UT2R1121BCH
100	4	2	OH/UG	—	#6–250 kcmil	#8–2/0 cu/al	3-5/16 closure plate	UT2R1121CCH
100	4	2	OH/UG	Horn	#6–250 kcmil	#8–2/0 cu/al	3-5/16 closure plate	UHT2R1421CCH
100	4	2	OH/UG	—	#6–250 kcmil	#8–2/0 cu/al	3-5/16 hub opening 3-5/16 hub cover plate	UT2R1421BCH
100	4	3	OH/UG	Horn	#6–250 kcmil	#8–2/0 cu/al	3-5/16 hub opening	UHT3R1121BCH
100	4	3	OH/UG	—	#6–250 kcmil	#8–2/0 cu/al	3-5/16 hub opening	UT3R1121BCH

Notes

^① Aluminum enclosure.

For dimensions, see **Page V1-T4-21**.

Horizontal Design—Multi Position Ring Type

Ampere Rating	Jaws	Position	Service	Bypass	Connections		Opening, Hub or Closure Plate	Catalog Number
					Line	Load		
200	4	2	OH/UG	—	1/0–500 kcmil cu/al	#8–250 kcmil	5x5 hub opening	U2R2352TCRCH
200	4	2	OH/UG	—	#6–350 kcmil	#8–250 kcmil	5x5 hub cover plate	URT2R2332UCH
200	5	4	OH/UG	—	1/0–500 kcmil cu/al	#8–250 kcmil	Large 5x5 hub opening	U4R2352TCRCH
125	5	2	OH	—	#8–350 kcmil	#8–2/0 cu/al	Hub opening	U2V1031BCRCH ①
125	5	3	OH	—	#8–350 kcmil	#8–2/0 cu/al	Hub opening	U3V1031BCRCH ①
100	5	2	OH/UG	—	#6–250 kcmil	#8–2/0 cu/al	3-5/16 opening	U2R1121BCRCH
100	5	3	OH/UG	—	#6–250 kcmil	#8–2/0 cu/al	3-5/16 opening	U3R1121BCRCH
100	5	4	OH/UG	—	#6–250 kcmil	#8–2/0 cu/al	3-5/16 opening	U4R1121BCRCH
100	5	5	OH/UG	—	#6–250 kcmil	#8–2/0 cu/al	3-5/16 opening	U5R1121BCRCH

Notes

① Vertical gang.

For dimensions, see **Page V1-T4-22**.

Dimensions

Approximate Dimensions in Inches (mm)

Horizontal Design—Multi Position Ringless

Catalog Number	Height	Width	Depth
1004401BCH	14.13 (358.9)	24.31 (617.5)	5.38 (136.7)
1004404BCH	14.13 (358.9)	32.47 (824.7)	5.38 (136.7)
1004418ACH	14.13 (358.9)	24.31 (617.5)	5.38 (136.7)
1006737BCH	14.13 (358.9)	24.31 (617.5)	5.38 (136.7)
1007700CH	14.13 (358.9)	24.31 (617.5)	5.38 (136.7)
1007701CH	14.13 (358.9)	32.47 (824.7)	5.38 (136.7)
1008842CH	14.13 (358.9)	24.31 (617.5)	5.38 (136.7)
1008843CH	14.13 (358.9)	32.47 (824.7)	5.38 (136.7)
1008844CH	14.13 (358.9)	40.63 (1032.0)	5.38 (136.7)
1008958CH	14.13 (358.9)	24.31 (617.5)	5.38 (136.7)
1008959CH	14.13 (358.9)	32.47 (824.7)	5.38 (136.7)
1008960CH	14.13 (358.9)	40.63 (1032.0)	5.38 (136.7)
1009579ACH	14.13 (358.9)	54.78 (1391.4)	5.38 (136.7)
U4R2352TDQCH	14.13 (358.9)	40.63 (1032.0)	5.38 (136.7)
U5R2392TTDQCH	14.13 (358.9)	62.94 (1598.7)	5.38 (136.7)
U6R2392TTDQCH	14.13 (358.9)	62.94 (1598.7)	5.38 (136.7)
UBH4R2352TCH	14.13 (358.9)	40.63 (1032.0)	5.38 (136.7)
UBH2R2332TCH	14.13 (358.9)	24.31 (617.5)	5.38 (136.7)
UBH3R2332TCH	14.13 (358.9)	32.47 (824.7)	5.38 (136.7)
UEHT4R2302UCH	14.13 (358.9)	40.63 (1032.0)	5.38 (136.7)
UEHT3R2302UCH	14.13 (358.9)	32.47 (824.7)	5.38 (136.7)
UEHT2R2302UCH	14.13 (358.9)	24.31 (617.5)	5.38 (136.7)
UHI2R2332ACVCH	14.13 (358.9)	24.31 (617.5)	5.38 (136.7)
UHI2R2332TCVCH	14.13 (358.9)	24.31 (617.5)	5.38 (136.7)
UHI4R2352ACVCH	14.13 (358.9)	40.63 (1032.0)	5.38 (136.7)
UHTT2R2332UCH	14.13 (358.9)	24.31 (617.5)	5.38 (136.7)
UHT2R2332TCH	14.13 (358.9)	24.31 (617.5)	5.38 (136.7)
UHT3R2332TCH	14.13 (358.9)	32.94 (836.7)	5.38 (136.7)
UHT3R2352UCH	14.13 (358.9)	32.47 (824.7)	5.38 (136.7)
UHT4R2352TCH	14.13 (358.9)	40.63 (1032.0)	5.38 (136.7)
UT4R2352UFLCH	14.13 (358.9)	40.63 (1032.0)	5.38 (136.7)
UHT4R2352UCH	14.13 (358.9)	40.63 (1032.0)	5.38 (136.7)
UT2H52353TCH	23.56 (598.4)	32.78 (832.6)	6.00 (152.4)
UHT2R2332UCH	14.13 (358.9)	24.31 (617.5)	5.38 (136.7)
UT2R2332BCH	14.13 (358.9)	24.31 (617.5)	5.38 (136.7)
UAT2R2332TCH ①	14.13 (358.9)	24.31 (617.5)	5.38 (136.7)
UT2R2332TCH	14.13 (358.9)	24.31 (617.5)	5.38 (136.7)
U2R2332TCPLCH	14.13 (358.9)	24.31 (617.5)	5.38 (136.7)
U2R2332UCPLCH	14.13 (358.9)	24.31 (617.5)	5.38 (136.7)
U2R2332TDQCH	14.13 (358.9)	24.31 (617.5)	5.38 (136.7)
UT2R2332UCH	14.13 (358.9)	24.31 (617.5)	5.38 (136.7)
U3R2332TDQCH	14.13 (358.9)	32.47 (824.7)	5.38 (136.7)
UT3H42353TCH	23.56 (598.4)	43.91 (1115.3)	6.00 (152.4)
UT3H52353TCH	23.56 (598.4)	43.91 (1115.3)	6.00 (152.4)
UT3H72353UHLCH	23.56 (598.4)	43.91 (1115.3)	5.38 (136.7)

Horizontal Design—Multi Position Ringless, continued

Catalog Number	Height	Width	Depth
UT3R2332TCH	14.13 (358.9)	32.47 (824.7)	5.38 (136.7)
UT3R2332UCH	14.13 (358.9)	32.47 (824.7)	5.38 (136.7)
UT3R2352TCH	14.13 (358.9)	40.63 (1032.0)	5.38 (136.7)
UT4R2352TCH	14.13 (358.9)	40.63 (1032.0)	5.38 (136.7)
UHT5R2392TTCH	14.13 (358.9)	54.78 (1391.4)	5.38 (136.7)
UT5R2392TTCH	14.13 (358.9)	54.78 (1391.4)	5.38 (136.7)
UT5H72393UUHLCH	29.56 (750.8)	72.15 (1832.6)	6.00 (152.4)
UHT6R2392TTCH	14.13 (358.9)	62.94 (1598.7)	5.38 (136.7)
UT6R2392TTCH	14.13 (358.9)	62.94 (1598.7)	5.38 (136.7)
UT6R2392UFLCH	14.13 (358.9)	62.94 (1598.7)	5.38 (136.7)
UT6H72393UUHLCH	23.56 (598.4)	83.28 (2115.3)	6.00 (152.4)
UHT6R2392TCH	14.13 (358.9)	62.94 (1598.7)	5.38 (136.7)
U2R5432BDQCH	14.13 (358.9)	20.16 (512.1)	5.38 (136.7)
UT5R5632BCH	14.13 (358.9)	48.63 (1235.2)	5.38 (136.7)
UT6R1131BCH	14.13 (358.9)	56.93 (1446.0)	4.50 (114.3)
1004426ACH	14.13 (358.9)	24.31 (617.5)	4.50 (114.3)
1008951CH	14.13 (358.9)	24.31 (617.5)	4.50 (114.3)
1008952CH	14.13 (358.9)	32.47 (824.7)	4.50 (114.3)
1009693CH	14.13 (358.9)	24.16 (613.7)	5.38 (136.7)
1009694CH	14.13 (358.9)	32.31 (820.7)	5.38 (136.7)
1009695CH	14.13 (358.9)	49.94 (1268.5)	5.38 (136.7)
1009696CH	14.13 (358.9)	48.63 (1235.2)	5.38 (136.7)
UAT26R1131CFLCH	14.13 (358.9)	56.94 (1446.3)	4.50 (114.3)
UBH2R1121BCH	14.13 (358.9)	24.94 (633.5)	4.50 (114.3)
UBH3R1121BCH	14.13 (358.9)	32.47 (824.7)	4.50 (114.3)
UBH4R1121BCH	14.13 (358.9)	40.63 (1032.0)	4.50 (114.3)
UHT2R1121BCH	14.13 (358.9)	24.31 (617.5)	4.50 (114.3)
UT4R1121BCH	14.13 (358.9)	40.63 (1032.0)	4.50 (114.3)
UT4R1121CCH	14.13 (358.9)	40.63 (1032.0)	4.50 (114.3)
UHT4R1121BCH	14.13 (358.9)	40.63 (1032.0)	4.50 (114.3)
UHT5R1121BCH	14.13 (358.9)	48.78 (1239.0)	4.50 (114.3)
UT5R1121BCH	14.13 (358.9)	48.78 (1239.0)	4.50 (114.3)
UT5R1121CCH	14.13 (358.9)	48.78 (1239.0)	4.50 (114.3)
UT2R1121BCH	14.13 (358.9)	24.31 (617.5)	4.50 (114.3)
UT2R1121CCH	14.13 (358.9)	24.31 (617.5)	4.50 (114.3)
UHT2R1421CCH	14.13 (358.9)	20.16 (512.1)	5.38 (136.7)
UT2R1421BCH	14.13 (358.9)	20.16 (512.1)	5.38 (136.7)
UHT3R1121BCH	14.13 (358.9)	32.47 (824.7)	4.50 (114.3)
UT3R1121BCH	14.13 (358.9)	32.47 (824.7)	4.50 (114.3)

Note
① Aluminum enclosure.

4.1

Metering Products

Meter Sockets

Approximate Dimensions in Inches (mm)

Horizontal Design—Multi Position Ring Type

Catalog Number	Height	Width	Depth
U2R2352TCRCH	14.13 (358.9)	24.31 (617.5)	5.38 (136.7)
URT2R2332UCH	14.13 (358.9)	24.31 (617.5)	5.38 (136.7)
U4R2352TCRCH	14.13 (358.9)	48.00 (1219.2)	5.38 (136.7)
U2V1031BCRCH ①	8.00 (203.2)	25.63 (650.9)	4.38 (111.1)
U3V1031BCRCH ①	8.00 (203.2)	35.88 (911.2)	4.38 (111.1)
U2R1121BCRCH	14.13 (358.9)	28.00 (711.2)	4.50 (114.3)
U3R1121BCRCH	14.13 (358.9)	38.00 (965.2)	4.50 (114.3)
U4R1121BCRCH	14.13 (358.9)	48.00 (1219.2)	4.50 (114.3)
U5R1121BCRCH	14.13 (358.9)	58.00 (1473.2)	4.50 (114.3)

Note

① Vertical gang.

Instrument Rated Sockets



Contents

<i>Description</i>	<i>Page</i>
Single Meter Sockets	V1-T4-2
Commercial Lever Bypass Sockets	V1-T4-10
Multiple Position Horizontal Ganged Sockets	V1-T4-17
Instrument Rated Sockets	
Product Selection	V1-T4-24
Cross-Reference	V1-T4-25
Dimensions	V1-T4-27
Residential Pedestals	V1-T4-28
Meter Socket Accessories	V1-T4-30

Instrument Rated Sockets

Product Description

- Available in 6, 7, 8 and 13 terminal designs
- 20 A ratings standard
- Multiple service designs available (overhead, underground, overhead/underground)
- Multiple hub opening and closure plate sizes available
- 600 Vac rated
- Single cover/dual cover availability
- Provisional test switches and factory-installed test switch designs available

4.1

Metering Products

Meter Sockets

Product Selection

USTS132CCH



Instrument Rated Sockets

Ampere Rating	Jaws	Service	Opening, Hub or Closure Plate	Catalog Number
20	13 terminal	UG	Solid top	USTH131A123CH
20	13 terminal	OH/UG	3-5/16 hub cover plate	USTS131B102CH
20	13 terminal	OH/UG	3-5/16 hub cover plate	USTS132B101CH
20	13 terminal	OH/UG	3-5/16 hub cover plate	USTS132CCH
20	13 terminal	OH/UG	1-inch bolt-on hub	1008694ACH
20	8 terminal	OH/UG	1-inch bolt-on hub	1008695ACH
20	13 terminal	N/A	N/A	1007003BCH
20	13 terminal	Solid top and bottom	Solid top	1007003CCH
20	13 terminal	OH/UG	3-5/16 hub cover plate	USTL131C207CH
20	13 terminal	OH/UG	Hub opening	USTS131BCH
20	13 terminal	OH/UG	1-1/4-inch bolt-on hub	USTS131L143CH
20	13 terminal	N/A	N/A	USTS132BCH
20	6 terminal	OH/UG	Hub opening	USTS61B138CH
20	6 terminal	OH/UG	Hub opening	UST61BCH
20	8 terminal	OH/UG	Hub opening	USTS82B166CH
20	8 terminal	N/A	Solid top and bottom	1007361BCH
N/A	N/A	N/A	N/A	1008539CH
20	13 terminal	OH/UG	3-5/16 hub cover plate	UASTS131C226CH
20	13 terminal	OH	3-5/16 hub cover plate	1004671CH
20	7 terminal	OH	3-5/16 hub cover plate	ULTS131CCH
20	6 terminal	UG	Solid top	STL61A433CH
20	13 terminal	UG	Solid top	STL131A120CH

Cross-Reference

Meter Sockets

Description	Manufacturer	
	Eaton Part Number	Milbank Part Number
125 A, OH/UG, ringless, triplex ground, hub opening	UTRS101BE	U7487-RL-TG
125 A, OH/UG, ringless, triplex ground, hub cover plate	UTRS101CE	U7487-XL-TG
125 A, OH/UG, ringless, triplex ground, hub opening, horn bypass	UHTRS101BE	U7487-RL-TG-KK
125 A, OH/UG, ringless, triplex ground, hub cover plate, horn bypass	UHTRS101CE	U7487-XL-TG-KK
125 A, OH/UG, ringless, triplex ground, hub opening, fifth terminal	UTRS101BCH + MSR5TK	U7487-RL-TG-5T
125 A, OH/UG, ringless, triplex ground, hub cover plate, fifth terminal	UTRS101CE + MSR5TK	U7487-XL-TG-5T
125 A, OH/UG, ringless, triplex ground, hub opening, horn bypass, fifth terminal	UHTRS101BCH + MSR5TK	U7487-RL-TG-KK-5T
125 A, OH/UG, ringless, triplex ground, hub cover plate, horn bypass, fifth terminal	UGHTRS101CE + MSR5TK	U7487-XL-TG-KK-5T
200 A, OH, ringless, triplex ground, hub opening	UTRS202BCH	U7021-RL-TG
200 A, OH, ringless, triplex ground, hub cover plate	UTRS202CCH	U7021-XL-TG
200 A, OH, ringless, triplex ground, hub opening, horn bypass	UHTRS202BCH	U7021-RL-TG-KK
200 A, OH, ringless, triplex ground, hub cover plate, horn bypass	UHTRS202CCH	U7021-RL-TG-KK
200 A, OH, ringless, triplex ground, hub opening, fifth terminal	UGTRS202BCH	U7021-RL-TG-5T
200 A, OH, ringless, triplex ground, hub cover plate, fifth terminal	UGTRS202CCH	U7021-XL-TG-5T
200 A, OH, ringless, triplex ground, hub opening, horn bypass, fifth terminal	UGHTRS202BCH	U7021-RL-TG-KK-5T
200 A, OH, ringless, triplex ground, hub cover plate, horn bypass, fifth terminal	UGHTRS202CCH	U7021-RL-TG-KK-5T
200 A, OH/UG, ringless, triplex ground, hub opening, 250 kcmil lugs	UTRS212BCH	No cross (no 250 kcmil lugs)
200 A, OH/UG, ringless, triplex ground, hub cover plate, 250 kcmil lugs	UTRS212CCH	No cross (no 250 kcmil lugs)
200 A, OH/UG, ringless, triplex ground, hub opening, horn bypass, 250 kcmil lugs	UHTRS212BCH	No cross (no 250 kcmil lugs)
200 A, OH/UG, ringless, triplex ground, hub cover plate, horn bypass, 250 kcmil lugs	UHTRS212CCH	No cross (no 250 kcmil lugs)
200 A, OH/UG, ringless, triplex ground, hub opening, fifth terminal, 250 kcmil lugs	UGTRS212BCH	No cross (no 250 kcmil lugs)
200 A, OH/UG, ringless, triplex ground, hub cover plate, fifth terminal, 250 kcmil lugs	UGTRS212CCH	No cross (no 250 kcmil lugs)
200 A, OH/UG, ringless, triplex ground, hub opening, horn bypass, fifth terminal, 250 kcmil lugs	UGHTRS212BCH	No cross (no 250 kcmil lugs)
200 A, OH/UG, ringless, triplex ground, hub cover plate, horn bypass, fifth terminal, 250 kcmil lugs	UGHTRS212CCH	No cross (no 250 kcmil lugs)
200 A, OH/UG, ringless, triplex ground, hub opening, 350 kcmil lugs	UTRS213BE	U7040-RL-TG
200 A, OH/UG, ringless, triplex ground, hub cover plate, 350 kcmil lugs	UTRS213CE	U7040-XL-TG
200 A, OH/UG, ringless, triplex ground, hub opening, horn bypass, 350 kcmil lugs	UHTRS213BE	U7040-RL-TG-KK
200 A, OH/UG, ringless, triplex ground, hub cover plate, horn bypass, 350 kcmil lugs	UHTRS213CE	U7040-XL-TG-KK
200 A, OH/UG, ringless, triplex ground, hub opening, fifth terminal, 350 kcmil lugs	UGTRS213BE	U7040-RL-TG-5T
200 A, OH/UG, ringless, triplex ground, hub cover plate, fifth terminal, 350 kcmil lugs	UGTRS213CE	U7040-XL-TG-5T
200 A, OH/UG, ringless, triplex ground, hub opening, horn bypass, fifth terminal, 350 kcmil lugs	UGHTRS213BE	U7040-RL-TG-KK-5T
200 A, OH/UG, ringless, triplex ground, hub cover plate, horn bypass, fifth terminal, 350 kcmil lugs	UGHTRS213CE	U7040-XL-TG-KK-5T
200 A, UG, ringless, triplex ground, solid top	UTRS223ACH	U1980-0-TG
200 A, UG, ringless, triplex ground, solid top, horn bypass	UHTRS223ACH	U1980-0-TG-KK
200 A, UG, ringless, triplex ground, solid top, fifth terminal	UGTRS223ACH	U1980-0-TG-5T
200 A, UG, ringless, triplex ground, solid top, horn bypass, fifth terminal	UGHTRS223ACH	U1980-0-TG-KK-5T

Lever Bypass

Description	Manufacturer	
	Eaton Part Number	Milbank Part Number
200 A, OH, lever bypass, 4 terminal, small hub opening	UTE4203BCH	U9800-RL
200 A, OH, lever bypass, 4 terminal, hub cover plate	UTH4203CCH	U9800-XL
200 A, OH, lever bypass, 4 terminal, large hub opening	UTH4203TCH	U9800-R
200 A, OH, lever bypass, 4 terminal, large hub cover plate	UTH4203UCH	U9800-X
200 A, OH, lever bypass, 5 terminal, small hub opening	UTE5203BCH	U4550-RL
200 A, OH, lever bypass, 5 terminal, hub cover plate	UTH5203CCH	U4550-XL
200 A, OH, lever bypass, 5 terminal, large hub opening	UTH5203TCH	U9559-R
200 A, OH, lever bypass, 5 terminal, large hub cover plate	UTH5203UCH	U9550-X
200 A, OH, lever bypass, 7 terminal, small hub opening	UTE7203BCH	U4701-RL
200 A, OH, lever bypass, 7 terminal, hub cover plate	UTH7203CCH	U4701-XL
200 A, OH, lever bypass, 7 terminal, large hub opening	UTE7203TCH	U4701-R
200 A, OH, lever bypass, 7 terminal, large hub cover plate	UTH7203UCH	U4701-X
200 A, OH/UG, lever bypass, 4 terminal, small hub opening	UTE4213BCH	U9801-RL
200 A, OH/UG, lever bypass, 4 terminal, hub cover plate	UTE4213CCH	U9801-XL
200 A, OH/UG, lever bypass, 4 terminal, large hub opening	UTE4213TCH	U9801-R
200 A, OH/UG, lever bypass, 4 terminal, large hub cover plate	UTH4213UCH	U9801-XL
200 A, OH/UG, lever bypass, 4 terminal, large hub opening with adapter plate	UTE4213ZCH	U9801-RRL
200 A, OH/UG, lever bypass, 4 terminal, large hub opening with adapter and cover plate	UTH4213YCH	U9801-RXL
200 A, OH/UG, lever bypass, 5 terminal, small hub opening	UTE5213BCH	U4551-RL
200 A, OH/UG, lever bypass, 5 terminal, hub cover plate	UTE5213CCH	U4551-XL
200 A, OH/UG, lever bypass, 5 terminal, large hub opening	UTE5213TCH	U9551-R
200 A, OH/UG, lever bypass, 5 terminal, large hub cover plate	UTH5213UCH	U9551-X
200 A, OH/UG, lever bypass, 5 terminal, large hub opening with adapter plate	UTE5213ZCH	U9551-RRL or U4551-RRL
200 A, OH/UG, lever bypass, 5 terminal, large hub opening with adapter and cover plate	UTH5213YCH	U9551-RXL or U4551-RXL
200 A, OH/UG, lever bypass, 7 terminal, small hub opening	UTE7213BCH	U9701-RL or U4701-RL
200 A, OH/UG, lever bypass, 7 terminal, hub cover plate	UTE7213CCH	U9701-XL or U4701-XL
200 A, OH/UG, lever bypass, 7 terminal, large hub opening	UTE7213TCH	U9701-R or U4701-R
200 A, OH/UG, lever bypass, 7 terminal, large hub cover plate	UTE7213UCH	U9701-RX or U4701-RX
200 A, OH/UG, lever bypass, 7 terminal, large hub opening with adapter plate	UTE7213ZCH	U9701-RRL or U4701-RRL
200 A, OH/UG, lever bypass, 7 terminal, large hub opening with adapter and cover plate	UTH7213YCH	U9701-RXL or U4701-RXL
320 A, OH, lever bypass, 4 terminal, large hub opening	UTH4300TCH	U1079-R or U1797-R
320 A, OH, lever bypass, 4 terminal, large hub cover plate	UTH4300UCH	U1079-X or U1797X
320 A, OH/UG, lever bypass, 4 terminal, large hub opening	UTH4330TCH	U2448-R or U2124-R
320 A, OH/UG, lever bypass, 4 terminal, large hub cover plate	UTH4330UCH	U2448-RX or U2124-RX
320 A, OH, lever bypass, 7 terminal, large hub opening	UTH7300TCH	—
320 A, OH, lever bypass, 7 terminal, large hub cover plate	UTH7300UCH	—
320 A, OH/UG, lever bypass, 7 terminal, large hub opening	UTH7330TCH	U2120-R
320 A, OH/UG, lever bypass, 7 terminal, large hub cover plate	UTH7330UCH	U2120-X

Dimensions

Approximate Dimensions in Inches (mm)

Instrument Rated Sockets

Catalog Number	Height	Width	Depth
USTH131A123CH	20.00 (304.8)	12.00 (304.8)	4.36 (110.7)
USTS131B102CH	20.00 (304.8)	12.00 (304.8)	4.36 (110.7)
USTS132B101CH	20.00 (304.8)	12.00 (304.8)	4.36 (110.7)
USTS132CCH	20.00 (304.8)	12.00 (304.8)	4.36 (110.7)
1008694ACH	20.00 (304.8)	12.00 (304.8)	4.36 (110.7)
1008695ACH	20.00 (304.8)	12.00 (304.8)	4.36 (110.7)
1007003BCH	N/A	N/A	N/A
1007003CCH	16.50 (419.1)	14.00 (355.6)	3.50 (88.9)
USTL131207CH	20.00 (304.8)	12.00 (304.8)	4.35 (110.5)
USTS131BCH	20.00 (304.8)	12.00 (304.8)	4.35 (110.5)
USTS131L143CH	20.00 (304.8)	12.00 (304.8)	4.35 (110.5)
USTS132BCH	N/A	N/A	N/A
USTS61B138CH	20.00 (304.8)	12.00 (304.8)	4.35 (110.5)
UST61BCH	20.00 (304.8)	12.00 (304.8)	4.35 (110.5)
USTS82B166CH	20.00 (304.8)	12.00 (304.8)	4.35 (110.5)
1007361BCH	16.50 (419.1)	14.00 (355.6)	3.50 (88.9)
1008539CH	N/A	N/A	N/A
UASTS131C226CH	20.00 (304.8)	12.00 (304.8)	4.35 (110.5)
1004671CH	17.00 (431.8)	10.00 (254.0)	5.00 (127.0)
ULTS131CCH	22.00 (558.8)	12.00 (304.8)	4.94 (125.5)

4.1

Metering Products

Meter Sockets

Residential Pedestals



4

Contents

<i>Description</i>	<i>Page</i>
Single Meter Sockets	V1-T4-2
Commercial Lever Bypass Sockets	V1-T4-10
Multiple Position Horizontal Ganged Sockets	V1-T4-17
Instrument Rated Sockets	V1-T4-23
Residential Pedestals	
Product Selection	V1-T4-29
Dimensions	V1-T4-29
Meter Socket Accessories	V1-T4-30

Residential Pedestals

Product Description

- Available in 100 A, 200 A, 300 A and 320 A designs
- Available in 4- or 5-jaw configurations
- Underground service design is standard
- Bypass options (lever, horn) are available
- Solid top designs

Product Selection

UHTRP242363CH



Residential Pedestals

Ampere Rating	Jaws	Service	Bypass	Connections Line	Load	Opening, Hub or Closure Plate	Catalog Number
320	4	UG	—	3/8-inch studs	3/8-inch studs	Solid top	1008847CH
320	4	UG	Lever	#6–350 kcmil line and line neutral	2/0–250 kcmil load and load neutral	Solid top	1009017CH ①
300	4	UG	Lever	#6–350 kcmil line and line neutral	2/0–250 kcmil load and load neutral	Solid top	—
200	4	UG	Horn	4/0 compression (line) 2/0 compression (neutral)	#6–250 kcmil load and load neutral	Solid top	1006388CH
200	4	UG	Horn	#8–350 kcmil	#8–350 kcmil	Solid top	UHTRP242363CH
200	4	UG	Horn	#6–350 kcmil line and line neutral	#6–250 kcmil load neutral	Solid top	1008846CH
200	4	UG	Horn	#6–350 kcmil line and line neutral	#6–250 kcmil load neutral	N/A	1008961CH
200	5	N/A	N/A	N/A	N/A	N/A	1008966CH
200	4	UG	—	#6–350 kcmil line and line neutral	#6–350 kcmil load and load neutral	Solid top	1009264CH
200	4	UG	—	4/0 compression (line) 2/0 compression (neutral)	#6–350 kcmil load and load neutral	Solid top	1009265CH
100	4	UG	—	#6–350 kcmil line and line neutral	#6–250 kcmil load neutral	Solid top	1009078CH

Dimensions

Approximate Dimensions in Inches (mm)

Residential Pedestals

Catalog Number	Height	Width	Depth
1008847CH	58.00 (1473.2)	12.97 (329.4)	4.93 (125.2)
1009017CH ①	63.00 (1600.2)	12.96 (329.2)	4.93 (125.2)
1006388CH	61.00 (1549.4)	8.96 (227.6)	4.93 (125.2)
UHTRP242363CH	62.63 (1590.8)	8.97 (227.8)	4.94 (125.5)
1008846CH	70.00 (1778.0)	11.00 (279.4)	6.00 (152.4)
1008961CH	69.93 (1776.2)	N/A	6.00 (152.4)
1008966CH	N/A	N/A	N/A
1009264CH	74.00 (1879.6)	8.96 (227.6)	4.93 (125.2)
1009265CH	74.00 (1879.6)	8.97 (227.8)	4.94 (125.5)
1009078CH	69.93 (1776.2)	11.00 (279.4)	6.00 (152.4)

Note

① 200 A breakers.

4.1

Metering Products

Meter Sockets

Meter Socket Accessories

4



Contents

Description

	<i>Page</i>
Single Meter Sockets	V1-T4-2
Commercial Lever Bypass Sockets	V1-T4-10
Multiple Position Horizontal Ganged Sockets	V1-T4-17
Instrument Rated Sockets	V1-T4-23
Residential Pedestals	V1-T4-28
Meter Socket Accessories	
Cross-Reference	V1-T4-25
Product Selection	V1-T4-31
Mechanical Lugs	V1-T4-33
Communications Grounding Device (NEC 250.94)	V1-T4-34
Wiring Diagram	V1-T4-34

Meter Socket Accessories

Features and Benefits

Construction Features



1. High strength, glass-filled meter block assembly, lay-in connectors with captive slide nut and screw.



2. 100% plated copper alloy meter jaw with reinforcing spring clip and meter guide.

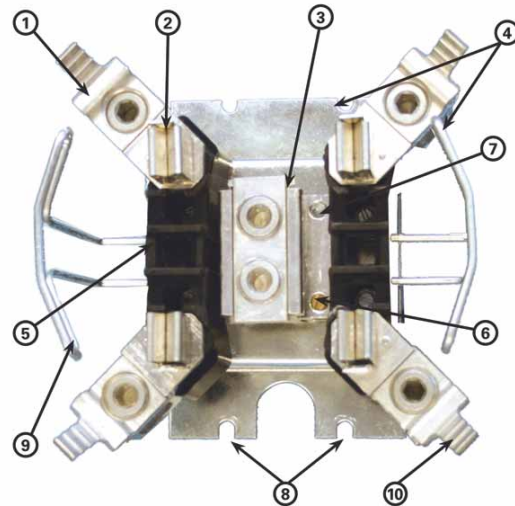


3. Extruded neutral lug with integral triplex ground and quadplex ground provision.



4. Bridge and meter supports are 100% zinc chromate plated.

200 A Ringless Block Assembly With Horn Bypass



5. Fifth terminal locating hole in 9 o'clock position.
6. Triplex ground is a standard feature.
7. Quadplex ground provision.
8. Durable "four-point" bridge mounting (2 top, 2 bottom).
9. Extra rigid meter support for ringless sockets.
10. Optional, integral horn bypass extruded on slide nut. Horn is ribbed for secure attachment to utility bypass jumpers. Field-installable horn bypass kit available.

Product Selection

Meter Socket Accessories

Description	Part Number
Hub Closure Plates	
Hub closure plate meter socket accessories	ARP00002CHB
Clam shell hub closure plate meter socket accessories	ARP00002CHBCS
1-inch hub closure plate meter socket accessories	ARP00003CH1
Clam shell 1-inch hub closure plate—small opening	ARP00003CH1CS
1-1/4-inch hub closure plate meter socket accessories	ARP00004CH12
Clam shell 1-1/4-inch hub closure plate—small opening	ARP00004CH12CS
1-1/2-inch hub closure plate meter socket accessories	ARP00005CH15
Clam shell 1-1/2-inch hub closure plate—small opening	ARP00005CH15CS
2-inch hub closure plate meter socket accessories	ARP00006CH2
Aluminum hub closure plate for single sockets	ARP00008CH
Large hub cover plate	ARP00016CHB
Hubs	
2-inch hub with large diameter opening	ARP00017CH2
2-1/2-inch hub for meter socket accessories	ARP00007CH25
Clam shell 2-1/2-inch hub for meter socket accessories	ARP00007CH25CS
2.5-inch hub with large diameter opening	ARP00018CH25
3-inch hub	ARP00019CH3
3-1/2-inch hub for meter sockets	ARP00020CH35
4-inch hub	ARP00021CH4
Hub adapter from large opening to small opening	ARP00015CHAP
Lug Kits	
(2) #6–250 kcmil, double barrel lug for 4, 5 and 7 terminal 3/8-inch stud sockets	ARP00118CH
#4–600 or (2) 1/0–250 kcmil, single barrel lug for 4, 5 and 7 terminal 3/8-inch stud sockets	ARP00429CH
#6–350 kcmil, single barrel lug for 4, 5 and 7 terminal 3/8-inch stud sockets	ARP00119CH
#4–600 kcmil, single barrel lug for 4, 5 and 7 terminal 3/8-inch stud sockets	ARP00129CH
(2) #6–350 kcmil, double barrel lug for 4 terminal 3/8-inch stud sockets	ARP00427CH
Miscellaneous	
Screw sealing ring for single meter sockets	ARP00027CH
Fifth jaw kit	ARP00035CHJ
Fifth jaw for bolt on meter	ARP00326CH
Neutral insulating kit for lever bypass sockets only	ARP00759CH
100 A meter socket horn cap assembly kit	ARP00777CH
Fifth jaw kit for 320 A offset socket	ARP00862CH
HQ anti-inversion clip for single meter sockets	ARP00984CH
Fifth jaw for Chicago and Wisconsin pedestal	ARP01085CH
350 kcmil BNS cap assembly kit for meter sockets	ARP01226CH
Right hand block assembly with Z Bar	ARP01258CH
Left hand block assembly with Z Bar	ARP01414CH
Meter pack trough closure plate kit	ARP01565CH
2/0 connector kit for MBB and MBP socket breaker	ARP01612CH

Hub Accessories

Description	Manufacturer	
	Eaton Part Number	Milbank Part Number
Small hub cover plate	ARP00002CHB	A7551
1-inch hub	ARP00003CH1	A7514
1-1/4-inch hub	ARP00004CH12	A7515
1-1/2-inch hub	ARP00005CH15	A7516
2-inch hub	ARP00006CH2	A7517
2-1/2-inch hub	ARP00007CH25	A7518
3-inch hub	ARP00019CH3	A8110
3-1/2-inch hub	ARP00020CH35	A8111
4-inch hub	ARP00021CH4	A8112
Large to small hub opening adapter plate	ARP00015CHAP	S8324
Large hub cover plate	ARP00016CHB	S9064

Residential Pedestal Extension Kits

Connections			Approximate Dimensions in Inches (mm)		
Line	Load	Catalog Number	Height	Width	Depth
Pedestal extension kit for 1008846CH	Pedestal extension kit for 1008846CH	1009021CH	18.00 (457.2)	11.00 (279.4)	6.00 (152.4)
		1009022CH	18.00 (457.2)	12.96 (329.2)	4.93 (125.2)
		1009026CH	30.00 (762.0)	12.96 (329.2)	4.93 (125.2)

Mechanical Lugs



Product Description

- Single lug
- Extended tang single lug
- Extended tang triple lug
- Double lug
- Extended tang double lug
- Extended tang quadruple lug

Product Selection

Mechanical Lugs

Description	Style Number
Single #14–#6 mechanical lug	ESL146
Single #14–2/0 mechanical lug	ESL1420
Single #6–250 kcmil mechanical lug	ESL6250
Single #4–500 kcmil mechanical lug	ESL4500
Double #14–2/0 mechanical lug	EDL1420
Double #6–250 kcmil mechanical lug	EDL6250
Extended tang single lug #6–350 kcmil	EPBSL6350
Extended tang single lug 300–800 kcmil	EPBSL300800
Extended tang double lug #6–350 kcmil	EPBDL6350
Extended tang double lug 300–800 kcmil	EPBDL300800
Extended tang triple lug #6–350 kcmil	EPBTL6350
Extended tang triple lug 300–800 kcmil	EPBTL300800
Extended tang quadruple lug #6–350 kcmil	EPBQL6350
Extended tang quadruple lug 300–750 kcmil	EPBQL300800
Extended tang single lug #2–600 kcmil	EPBSL2600
Extended tang single lug 500–1000 kcmil	EPBSL5001000
Extended tang triple lug #2–600 kcmil	EPBTL2600

Dimensions

Mechanical Lugs

Approximate Dimensions in Inches (mm)

Style Number	Height	Width	Length
ESL146	2.50 (63.5)	8.25 (82.6)	3.50 (88.9)
ESL1420	2.50 (63.5)	10.50 (266.7)	3.50 (88.9)
ESL6250	2.50 (63.5)	10.50 (266.7)	3.50 (88.9)
ESL4500	2.50 (63.5)	10.50 (266.7)	3.50 (88.9)
EDL1420	3.50 (88.9)	4.00 (101.6)	3.50 (88.9)
EDL6250	3.50 (88.9)	3.75 (95.3)	4.50 (114.3)
EPBSL6350	2.50 (63.5)	8.25 (82.6)	3.50 (88.9)
EPBSL300800	2.50 (63.5)	10.50 (266.7)	3.50 (88.9)
EPBDL6350	3.50 (88.9)	4.50 (114.3)	5.50 (139.7)
EPBDL300800	3.00 (76.2)	10.50 (266.7)	5.50 (139.7)
EPBTL6350	3.50 (88.9)	4.50 (114.3)	5.50 (139.7)
EPBTL300800	2.50 (63.5)	10.00 (254.0)	5.75 (146.0)
EPBQL6350	2.25 (57.2)	6.50 (165.1)	6.00 (152.4)
EPBQL300800	4.25 (108.0)	8.50 (215.9)	8.50 (215.9)
EPBSL2600	2.50 (63.5)	8.25 (82.6)	3.50 (88.9)
EPBSL5001000	2.50 (63.5)	10.50 (266.7)	3.50 (88.9)
EPBTL2600	2.25 (57.2)	6.50 (165.1)	6.00 (152.4)

4.1

Metering Products

Meter Sockets

4

Communications Grounding Device (NEC 250.94)



Features, Benefits and Functions

Communication Grounding Device Features

- Lay-in lug for ease of installation
- Four bonding terminals
- Heavy-duty zinc-plated steel screws included
- Two mounting holes to securely hold device into place
- For use with copper and aluminum conductors

Cover Features

- Outdoor rated reinforced glass polyester compound
- Suitable for UV exposure
- Paintable exterior, allowing for matching of exterior of home

Product Description

This product is required per the 2008 NEC Article 250.94 "Bonding for Other Systems."

This product is applied externally to residential homes, so that communications systems devices such as satellite, TV, cable and CATV can be properly bonded at a single point. This device has two mounting holes that can be used for easy installation.

Standards and Certifications

- ETL listed

Product Selection

Communication Grounding Device

Wire Range

Bonding Conductor	Ground Electrode	Quantity	Catalog Number
#14-#2-STR-SOL-CU #12-#2-SRT-SOL-AL	#8-1/0-STR-SOL-CU/AL	(1) Clamshell	MSEGR2CS
#14-#2-STR-SOL-CU #12-#2-SRT-SOL-AL	#8-1/0-STR-SOL-CU/AL	(10) Bulk pack	MSEGR2

Dimensions

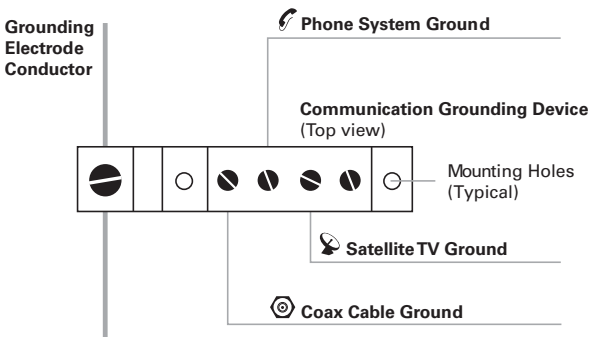
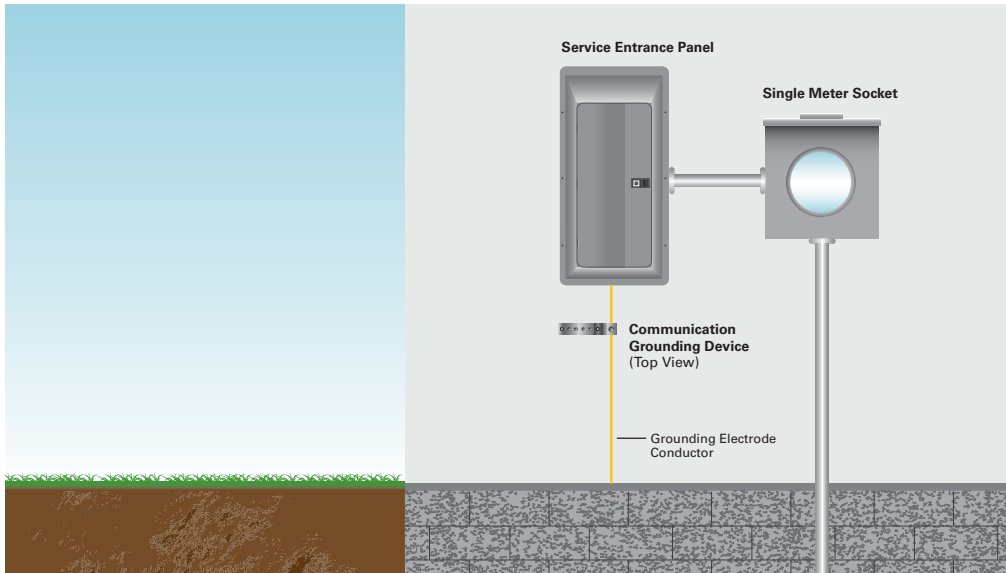
Approximate Dimensions in Inches (mm)

Communication Grounding Device

Catalog Number	Length	Width	Height
MSEGR2CS	0.75 (19.1)	3.90 (99.1)	1.20 (30.5)
MSEGR2	0.75 (19.1)	3.90 (99.1)	1.20 (30.5)

Wiring Diagram

Installation and Configuration



Residential Meter Breakers



Contents

<i>Description</i>	<i>Page</i>
Residential Meter Breakers	
Standards and Certifications	V1-T4-36
Technical Data and Specifications	V1-T4-36
Non-EUSERC Combination Service Entrance Devices 100–200 A Styles	V1-T4-37
EUSERC Required Service Entrance Devices 100–225 A	V1-T4-41
West Coast All-In-One Design	V1-T4-44
House Panels	V1-T4-48
Aluminum Meter Breakers	V1-T4-53
CH Style Renovation Solutions	V1-T4-54
Commercial Safety Sockets	V1-T4-55
Meter Breakers Accessories	V1-T4-58

Residential Meter Breakers

Product Description

A meter breaker is service entrance equipment that consists of a single meter socket and loadcenter (circuit breaker distribution section) or meter socket and main breaker combined in one enclosure. Sometimes called Combos, All-in-Ones, Meter Centers or Meter Mains, these units are increasing in popularity as the socket and loadcenter or main breaker are located in one location, thus providing the contractor with a labor and material savings when installing.

Application Description

In addition to residential installations, meter breakers are equally applicable for rural service entrance, mobile homes and construction site temporary power. Meter breakers are most often sold in the western, southwestern and southeastern United States. The popularity of meter breakers is continuing to increase as more utilities deregulate and pass the responsibility of supplying wathour meter sockets on to the electrical contractor.

Application Considerations

Eaton has the meter breaker to meet your application, offering:

- Non-EUSERC
- EUSERC/West Coast
- House panels
- Commercial safety socket

Non-EUSERC (Page V1-T4-37)

Eaton’s line of non-EUSERC meter breakers are designed for customers served by utilities that are not members of EUSERC.

EUSERC/West Coast (Page V1-T4-44)

Eaton’s line of EUSERC required devices adhere to the agreed upon standards. EUSERC utilities are predominately located in the western United States, but some eastern and midwestern utilities are also members. These units can also be used in many Non-EUSERC areas.

House Panels (Page V1-T4-48)

CH and BR Styles (Page V1-T4-49).

Meter breaker device rated at 300–400 A. Applied in EUSERC and non-EUSERC areas.

Commercial Safety Sockets (Page V1-T4-55)

Applied in EUSERC and non-EUSERC service areas and used in commercial applications.

Features, Benefits and Functions

- Both Type BR and CH branch circuit breaker styles available
- Meets latest NEC wire bending space requirements
- Slotted sealing screws at hub with sealing provision provided
- Surface units are supplied with mounting tabs
- Semi-flush units are supplied with stucco flange
- Meter socket ring landing will accept locking security rings
- Overhead or underground service
- Fifth jaw can be installed in the 3 o’clock or 9 o’clock position
- Semi-flush with nail flange or surface mounting
- Meter mounting and underground pull sections are utility sealable
- Units are rated a minimum of 10 kAIC; some units are 22 kAIC
- Numerous units supplied with center keyhole for ease of mounting
- NEMA 3R rainproof construction

Standards and Certifications

- UL Specification 414 (socket)
- UL File Number E52977
- AEIC-EEI-NEMA Standards (MSJ-7)
- Meet EUSERC utility requirements where noted
- Documented seismic qualified—UBC and CBC Title 24
- UL Specification 67 (panel)

**Technical Data and Specifications**

- Ratings single-phase, three-wire, 120/240 Vac
- 100–225 A main breaker and main lug types
- 10,000 A rms symmetrical short-circuit rating
- Available kAIC ratings: 10 k with BW breaker, 22 k with CSR breaker and 35 k with CSH breaker

Consult TD.31F.01.T.E for dimensions, wiring diagrams and knockouts.

Non-EUSERC Combination Service Entrance Devices



Standard Design Non-EUSERC Panel

Compact Design

Non-EUSERC Combination Service Entrance Devices

Product Description

A device that may include a meter socket, main breaker and loadcenter section within the same enclosure.

- Meter main = meter socket and main breaker
- Meter breaker = meter socket, main breaker and loadcenter section

Application Description

Eaton’s line of non-EUSERC meter breakers are designed for customers served by utilities that are not members of EUSERC.

Contents

<i>Description</i>	<i>Page</i>
Residential Meter Breakers	V1-T4-35
Non-EUSERC Combination Service Entrance Devices 100–200 A Styles	
Catalog Number Selection	V1-T4-38
Product Selection	V1-T4-38
EUSERC Required Service Entrance Devices 100–225 A	V1-T4-41
West Coast All-In-One Design	V1-T4-44
House Panels	V1-T4-48
Aluminum Meter Breakers	V1-T4-53
CH Style Renovation Solutions	V1-T4-54
Commercial Safety Sockets	V1-T4-55
Meter Breakers Accessories	V1-T4-58

Features, Benefits and Functions

Meter Mains and All-in-Ones

- Single-phase, three-wire, 120/240 Vac, 10 kAIC
- Larger lay-in lugs and 3-inch (76.2 mm) knockouts for ease of installation
- Box-type main lugs included
- Factory-installed neutral
- Hub provisions on top endwall. If hubs are required, order “DS” style
- Ring, ringless and ringless with horn bypass styles available
- Ringless style, provided with embossed covers and security latch for utility company lock
- Padlockable device covers provide additional measure of safety and help prevent tampering
- NEMA 3R rainproof construction

Meter Mains

- Meter socket and main breaker
- Stainless steel latches on meter compartments in MBP types
- No distribution section included

All-in-Ones

- Meter socket and loadcenter distribution section
- Stainless steel latches on meter compartments
- Several designs with horn bypass and fifth jaw
- Center-fed main breaker, lugs or provision
- Uses Type BR 1-inch (25.4 mm) wide branch breakers
- Special channel for top exit

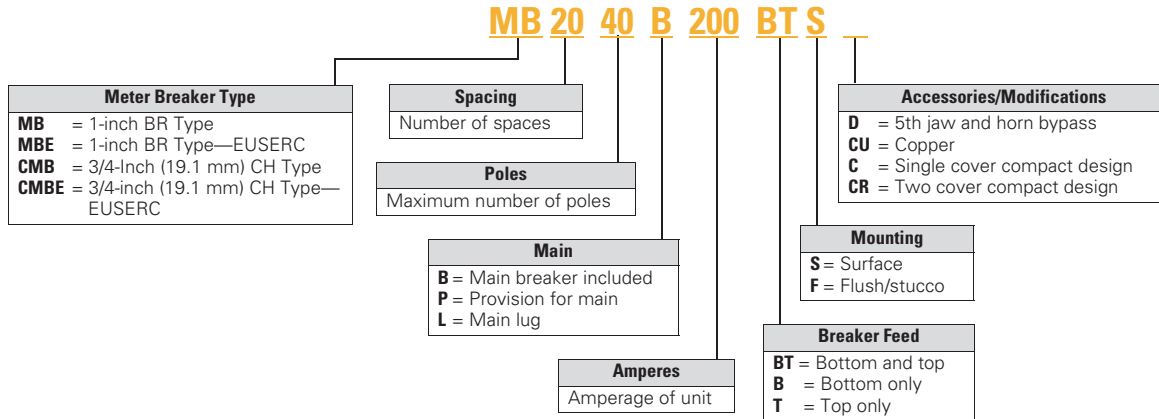
4.2

Metering Products

Meter Breakers

4

Catalog Number Selection



Product Selection

Main Breaker Selection Chart

Maximum Ampere Rating	Two-Pole Breaker Catalog Numbers			
	10 kAIC	25 kAIC	25 kAIC	35 kAIC
100	BW2100	CSR2100	CSR2100N	CSH2100N
125	BW2125	CSR2125	CSR2125N	CSH2125N
150	BW2150	CSR2150	CSR2150N	CSH2150N
200	BW2200	CSR2200	CSR2200N	CSH2200N
Load Side Lug Kit for BW and CSR Breakers ①			MCBK225	

Note: See knockout drawings on Pages V1-T4-61 through V1-T4-67 for hub information.

Ring Style Meter Mains



Combination Service Entrance Devices—Non-EUSERC

Ampere Rating	Bypass	Service	kAIC	Jaws	Distribution	Main	Branch Breaker Type	Dimensions and Enclosure Shape ①	Page Numbers Knockout ①	Catalog Number
Ring Style Meter Mains (no distribution section included)										
150	None	OH/UG	10	4	None	CSR2150	None	13	V1-T4-67	MBB150BTSCR
150	None	OH/UG	22	4	None	CSR2150	None	3	V1-T4-62	CMBB150BTS ⑥⑥
200	None	OH/UG	10	4	None	CSR2200	None	13	V1-T4-67	MBB200BTSCR
200	None	OH/UG	②	4	None	Provision ③	None	3	V1-T4-62	CMBP200BTS ⑥⑥
200	None	OH/UG	22	4	None	CSR2200	None	3	V1-T4-62	CMBB200BTS ⑥⑥
Ringless Meter Mains (no distribution section included)										
150	None	OH/UG	10	4	None	CSR2150	None	13	V1-T4-67	MBB150BTSC ⑥
200	None	OH/UG	10	4	None	CSR2200	None	9	V1-T4-67	MBB200BTS ⑦
200	None	OH/UG	10	4	None	CSR2200	None	13	V1-T4-67	MBB200BTSC ⑥
150	None	OH/UG	10	4	None	CSR2125	None	9	V1-T4-67	MBB150BTS
200	None	OH/UG	②	4	None	Provision ④	None	9	V1-T4-67	MBP200BTS ⑥
200	Horn	OH/UG	②	5	None	Provision ④	None	11	V1-T4-67	MBP200SD
200	Horn	OH/UG	②	5	None	Provision ④	None	9	V1-T4-67	MBP200BTSD
100	Horn	OH/UG	10	5	None	Provision	None	15	V1-T4-67	CHMMB100BTS
150	Horn	OH/UG	10	5	None	CSR2150	None	16	V1-T4-67	CHMMB150BTS
200	Horn	OH/UG	10	5	None	CSR2200	None	16	V1-T4-67	CHMMB200BTS
150	None	OH/UG	10	4	4/8	CSR	BR	—	—	MB48B150TSG
200	None	OH/UG	10	4	4/8	CSR	BR	—	—	MB48B200BTSG
200	Lever	OH/UG	22	4	8/16	CSR	BR	—	—	MBX816B200BTS ⑥
200	Lever	OH/UG	22	4	20/40	CSR	BR	—	—	MBX2040B200BTS ⑥

Ringless Meter Mains



Notes

- ① See Page V1-T4-61 for box details.
- ② Per installed main breaker rating.
- ③ When a provision for main is provided, order one of the main breakers listed in this table. Panels are labeled to accept Type CSR Main Breakers.
- ④ When a provision for main is provided, order one of the main breakers listed in Page V1-T4-38. Panels are dual labeled to accept Types BW, CSR or CSH Main Breakers.
- ⑤ Copper bus.
- ⑥ One-piece cover on utility side, Florida approved.
- ⑦ Single cover design.
- ⑧ Approved by Xcel Energy Inc.

Note: See knockout drawings on Pages V1-T4-61 through V1-T4-67 for hub information.

Ring Style All-in-Ones



4

Combination Service Entrance Devices—Non-EUSERC, continued

Ampere Rating	Bypass	Service	kAIC	Jaws	Distribution	Main	Branch Breaker Type	Dimensions and Enclosure Shape ^①	Page Numbers	
									Knockout ^①	Catalog Number
Ring Style All-in-Ones (includes distribution section)										
125	None	OH/UG	②	4	2/4	None—refer to Distribution CSR2150	CH	2	V1-T4-62	CMB24L125BTS ^{④⑤}
150	None	OH/UG	22	4	8		CH	3	V1-T4-62	CMB88B150BTS ^{④⑤}
200	None	OH/UG	10	4	4/8	CSR2200	BR	3	V1-T4-62	MB48B200BTS ^{⑤⑥}
200	None	OH/UG	22	4	8	CSR2200	CH	3	V1-T4-62	CMB88B200BTS ^{④⑤⑥}
200	None	UG	22	4	32/42	CSR2200	CH	7	V1-T4-61	CMB3242B200BS ^{④⑤}
200	None	OH/UG	22	—	42/42	—	CH	—	—	CMB4242B200BTS ^④
Ringless All-in-Ones (includes distribution section)										
125	None	OH/UG	22	4	4/8	CSR2125	BR	21	V1-T4-64	MBT48B125BTS
150	None	OH/UG	22	4	4/8	CSR2150	BR	21	V1-T4-64	MBT48B150BTS
150	Horn	OH/UG	10	5	8/16	BW2150	BR	11	—	MB816B150STD
150	Horn	OH/UG	10	5	20/40	BW2150	BR	11	V1-T4-66	MB2040B150SD
200	None	OH/UG	10	4	8/16	CSR2200	BR	10	V1-T4-66	MB816B200BTS ^{⑤⑥}
200	None	OH/UG	10	4	8/16	CSR2200	BR	10	V1-T4-66	MB816B200BTSCU ^{④⑤⑥}
200	Horn	OH/UG	10	5	8/16	BW2200	BR	11	—	MB816B200STD
200	None	OH/UG	②	4	8/16	Provision ^③	BR	10	V1-T4-66	MB816P200BTS ^{⑤⑥}
200	None	OH/UG	②	4	8/16	Provision ^③	BR	10	V1-T4-66	MB816P200BTSCU ^{④⑤⑥}
200	Horn	OH/UG	②	5	8/16	Provision ^③	BR	11	V1-T4-66	MB816P200STD ^⑥
200	Horn	OH/UG	②	5	8/16	Provision ^③	BR	10	V1-T4-66	MB816P200BTSD ^⑥
200	None	OH/UG	10	4	12/12	CSR2200	CH	10	V1-T4-62	CMB1212B200BTS ^{④⑤⑥}
200	None	OH/UG	②	4	6–2 Pole	Main lugs	CH	9	V1-T4-63	CMB1212L200BTS ^{④⑥}
200	None	OH/UG	②	4	12/12	Provision ^③	CH	10	V1-T4-63	CMB1212P200BTS ^{④⑤⑥}
200	None	OH/UG	②	4	6–2 Pole	Main lugs	BR	9	V1-T4-63	MB1212L200BTS ^⑥
200	None	OH/UG	22	4	24/24	CSR2200	CH	10	V1-T4-66	CMB2424B200BTS ^{④⑤}
200	None	OH/UG	22	4	24/36	CSR2200	CH	10	V1-T4-66	CMB2436B200BTS ^④
200	None	OH/UG	10	4	20/40	CSR2200	BR	10	V1-T4-66	MB2040B200BTS ^④
200	None	OH/UG	②	4	20/40	Provision ^③	BR	10	V1-T4-66	MB2040P200BTS ^⑤
200	Horn	OH/UG	②	5	20/40	Provision ^③	BR	11	V1-T4-66	MB2040P200SD
200	Horn	OH/UG	10	5	20/40	CSR2200	BR	10	V1-T4-66	MB2040B200SD
200	Lever	OH/UG	10	5	None	CSR2200	None	14	V1-T4-65	CMBXB200BTS ^{④⑦}
200	Lever	OH/UG	10	5	12/12	CSR2200	CH	14	V1-T4-65	CMBX1212B200BTS ^{④⑥⑦}
200	Lever	OH/UG	10	5	32/42	CSR2200	CH	14	V1-T4-65	CMBX3242B200BTS ^{④⑦}
200	Lever	OH/UG	10	5	None	Provision	None	14	V1-T4-65	CMBXP200BTS ^{④⑦}
200	Lever	OH/UG	10	5	12/12	Provision	CH	14	V1-T4-65	CMBX1212P200BTS ^{④⑥⑦}
200	Lever	OH/UG	10	5	32/42	Provision	CH	14	V1-T4-65	CMBX3242P200BTS ^{④⑦}
200	None	OH/UG	②	4	4/8	Provision	BR	21	V1-T4-65	MBT48P200BTS ^⑥
200	None	OH/UG	22	4	4/8	CSR2200	BR	21	V1-T4-65	MBT48B200BTS ^⑥

Notes

- ① See Page V1-T4-61 for box details.
- ② Per installed main breaker rating.
- ③ When a provision for main is provided, order one of the main breakers listed on Page V1-T4-38. All panels are dual labeled to accept Types BW, CSR, CSH Main Breakers.
- ④ Copper bus.
- ⑤ One-piece cover on utility side, Florida approved.
- ⑥ Units come with feed-through lugs.
- ⑦ Approved by Xcel Energy Inc.

EUSERC Required Service Entrance Devices



Meets EUSERC Requirements Service Entrance Devices 100–225 A

Contents

Description	Page
Residential Meter Breakers	V1-T4-35
Non-EUSERC Combination Service Entrance Devices 100–200 A Styles	V1-T4-37
EUSERC Required Service Entrance Devices 100–225 A	
Catalog Number Selection	V1-T4-42
Product Selection	V1-T4-42
West Coast All-In-One Design	V1-T4-44
House Panels	V1-T4-48
Aluminum Meter Breakers	V1-T4-53
CH Style Renovation Solutions	V1-T4-54
Commercial Safety Sockets	V1-T4-55
Meter Breakers Accessories	V1-T4-58

EUSERC Required Service Entrance Devices

Product Description

Eaton is proud to introduce a new line of West Coast/EUSERC Meter Breaker units. The new EUSERC devices complement the existing standard meter breaker devices. Customers who are interested in the complete meter breaker line of products can refer to Technical Data TD.31F.01.T.E.

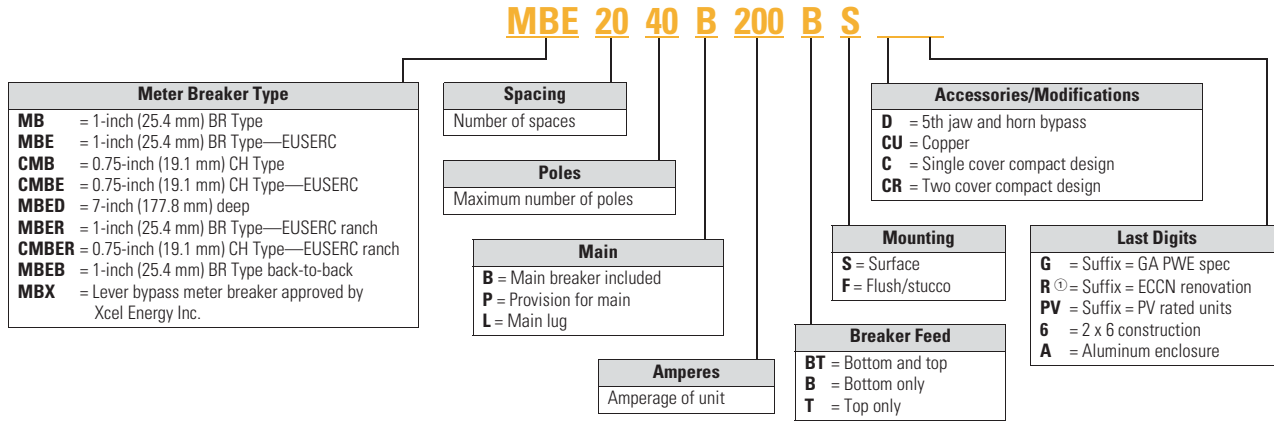
Application Description

Eaton’s line of EUSERC required devices adhere to the agreed upon standards. EUSERC utilities are predominately located in the western United States, but some eastern and midwestern utilities are also members. **These units can also be used in many Non-EUSERC areas.**

Features, Benefits and Functions

- Single-phase, three-wire, 120/240 V, 10 kAIC
- Larger 250 kcmil lugs and additional knockouts for ease of installation
- Box type main lugs are included
- Factory-installed neutrals
- Hub provisions on top endwall. If hubs are required, order “DS” type hubs
- Ring type sockets are provided with a sealing ring
- Padlockable device covers provide an additional measure of security and help prevent tampering
- Most units have center keyhole for easy one-person installation
- NEMA 3R rainproof construction

Catalog Number Selection



Product Selection

Note: See knockout drawings on **Pages V1-T4-61 through V1-T4-67** for hub information.

Combination Service Entrance Devices—EUSERC

Ampere Rating	By-pass	Service	kAIC	Jaws	Distribution	Main	Branch Breaker Type	Dimensions and Enclosure Shape ^②	Page Numbers Knockout ^②	Catalog Number—Surface	Catalog Number—Flush
Ring Style Meter Mains (no distribution section included)											
125	None	OH/UG	③	4	2/4	MLO	BR	2	V1-T4-62	MBE24L125BTS ^④	MBE24L125BTF
125	None	OH/UG	③	4	2/4	MLO	CH	2	V1-T4-62	CMBE24L125BTS ^{④⑤}	—
150	None	OH/UG	22	4	None	CSR2150N	None	3	V1-T4-62	CMBE200BTS ^{④⑤}	—
200	None	OH/UG	10	4	None	CSR2200	None	3	V1-T4-62	MBEB200BTS ^④	MBEB200BTF
200	None	OH/UG	22	4	None	CSR2200N	None	3	V1-T4-62	CMBE200BTS ^{④⑤}	—
200	None	OH/UG	③	4	2/4	MLO	BR	3	V1-T4-62	MBE24L200BTS ^④	MBE24L200BTF
200	None	OH/UG	③	4	2/4	MLO	CH	3	V1-T4-62	CMBE24L200BTS ^{④⑤}	—
Ring Style All-in-Ones (includes distribution section)											
100	None	OH/UG	10	4	12/24	BR2100	BR	2	V1-T4-62	MBE1224B100BTS	MBE1224B100BTF
100	None	UG	10	4	14/28	BR2100	BR	4	V1-T4-61	MBE1428B100BS ^⑥	MBE1428B100BF ^⑥
100	None	OH	10	4	12/24	BR2100	BR	9	V1-T4-63	MBE1224B100TS	—
125	None	OH/UG	10	4	12/24	BR2125	BR	2	V1-T4-62	MBE1224B125BTS	MBE1224B125BTF
125	None	OH	10	4	12/24	BR2125	BR	9	V1-T4-63	MBE1224B125TS	—
125	None	UG	10	4	18/36	BR2125	BR	5	V1-T4-61	—	MBE1836B125BF ^⑥
150	None	OH/UG	10	4	4/8	CSR2150	BR	19	—	MBER48B150BTS ^{⑦⑧}	—
150	None	OH/UG	22	4	8/8	CSR2150N	CH	19	—	CMBER88B150BTS ^{⑤⑦⑧}	—
150	None	OH/UG	22	4	8	CSR2150N	CH	3	V1-T4-62	CMBE88B150BTS ^{⑤⑦}	CMBE88B150BTF ^{⑤⑦}
150	None	UG	22	4	32/42	CSR2150N	CH	7	V1-T4-61	CMBE3242B150BS ^{⑤⑥}	—
150	None	UG	10	4	20/40	CSR2150	BR	6	V1-T4-61	—	MBE2040B150BF ^{⑥⑨}

Notes

- ① Not available in CR.
- ② See **Page V1-T4-61** for box details.
- ③ Interrupting rating is dependent on the main breaker that is installed.
- ④ Reference drawing EUSERC DWG-301, G1.
- ⑤ Unit has copper bus.
- ⑥ Reference drawing EUSERC DWG-301/301A.
- ⑦ Units come with feed-through lugs.
- ⑧ Units include a two-pole provision for secondary main 70 A max. Type BR, BRH, BRHH.
- ⑨ Please use RH-Type hubs on top end wall for overhead feed.

Note: See knockout drawings on **Pages V1-T4-61 through V1-T4-67** for hub information.

Combination Service Entrance Devices—EUSERC, continued

Ampere Rating	By-pass	Service	kAIC	Jaws	Distribution	Main	Branch Breaker Type	Dimensions and Enclosure Shape ^②	Page Numbers Knockout ^②	Catalog Number—Surface	Catalog Number—Flush
Ring Style All-in-Ones (includes distribution section), continued											
150	None	OH/UG	22	4	20/40	CSR2150	BR	—	—	MBE2040B150BTS ^③	—
150	None	OH/UG	10	4	4/8	CSR2150	BR	3	V1-T4-62	MBE48B150BTS	—
200	None	OH/UG	10	4	4/8	CSR2200	BR	3	V1-T4-62	MBE48B200BTS ^④	MBE48B200BTF ^④
200	None	OH/UG	22	4	8	CSR2200N	CH	3	V1-T4-62	CMBE88B200BTS ^{④⑤}	CMBE88B200BTF ^{④⑤}
200	None	OH/UG	10	4	8	CSR2200	BR	3	V1-T4-62	MBE88B200BTS	—
200	None	OH/UG	10	4	4/8	CSR2200	BR	19	V1-T4-65	MBER48B200BTS ^{④⑥}	—
200	None	OH/UG	10	4	4/8	CSR2200	BR	19	V1-T4-65	MBER48B200BTS ^{④⑥}	—
200	None	OH/UG	②	4	8/16	Provision	BR	10	V1-T4-63	MBE816P200TSCU ^{③⑤}	—
200	None	OH	②	4	8/16	Provision	BR	10	V1-T4-63	MBE816P200TS ^{③④}	—
200	None	UG	②	4	6–2 Pole	Main Lug	CH	5	V1-T4-61	CMBE1212L200BS ^{⑥⑦}	MBE1212L200BTF ^⑦
200	None	OH/UG	②	4	6–2 Pole	Main Lug	BR	9	V1-T4-61	MBE1212L200BTS	—
200	None	OH	10	4	20/40	CSR2200	BR	10	V1-T4-63	MBE2040B200TS ^③	MBE2040B200TF ^⑧
200	None	UG	10	4	20/40	CSR2200	BR	6	V1-T4-61	MBE2040B200BS ^③	MBE2040B200BF ^⑧
200	None	OH/UG	22	4	20/40	CSR2200	BR	—	—	MBE2040BH200BTS ^③	—
200	None	OH/UG	22	4	20/40	CSR2200	BR	—	—	MBE2040BH200BTF ^③	—
200	None	UG	22	4	30/42	CSR2200	BR	7	—	—	MBE3042B200BF
200	None	UG	22	4	32/42	CSR2200N	CH	7	V1-T4-61	CMBE3242B200BS ^{⑥⑦}	CMBE3242B200BF ^{⑥⑦}
200	None	UG	22	4	40	CSR2200	BR	12	—	MBE4040B200BSH ^{③⑦}	—
200	None	OH/UG	22	4	40	CSR2200	BR	12	—	MBE4040B200BTS	MBE4040B200BTF ^⑨
200	None	OH/UG	22	4	42	CSR2200N	CH	12	—	CMBE4242B200BTS ^⑤	—
200	None	OH/UG	10	4	20/40	CSR2200	BR	18	V1-T4-65	MBE2040B200BTS ^③	MBE2040B200BTF ^③
225	None	OH/UG	10	4	20/40	CSR2225	BR	18	V1-T4-65	MBE2040B225BTS ^③	MBE2040B225BTF ^③
225	None	UG	22	4	30/42	CSR2225	BR	7	—	—	MBE3042B225BF ^⑦
225	None	UG	22	4	32/42	CSR2225N	CH	7	V1-T4-61	CMBE3242B225BS ^{⑥⑦}	CMBE3242B225BF ^{⑥⑦}

Notes

- ① See **Page V1-T4-61** for box details.
- ② Interrupting rating is dependent on the main breaker that is installed.
- ③ Please use RH-Type hubs on top end wall for overhead feed.
- ④ Units come with feed-through lugs.
- ⑤ Unit has copper bus.
- ⑥ Semi-flush flange, not full stucco flange.
- ⑦ Reference drawing EUSERC DWG-301/301A.
- ⑧ When a provision for main is provided, order one of the main breakers listed on **Page V1-T4-61**. All panels are dual labeled to accept Types BW or CSR Main Breakers.
- ⑨ Includes factory-mounted 2.50-inch hub on bottom endwall. UG feed only.

West Coast All-In-One Design



Contents

Description	Page
Residential Meter Breakers	V1-T4-35
Non-EUSERC Combination Service Entrance Devices 100–200 A Styles	V1-T4-37
EUSERC Required Service Entrance Devices 100–225 A	V1-T4-41
West Coast All-In-One Design Product Selection	V1-T4-45
Dimensions and Knockouts	V1-T4-45
House Panels	V1-T4-48
Aluminum Meter Breakers	V1-T4-53
CH Style Renovation Solutions	V1-T4-54
Commercial Safety Sockets	V1-T4-55
Meter Breakers Accessories	V1-T4-58

West Coast All-In-One Design

Product Description

A metering device that may contain a meter socket, main breaker and distribution section within the same enclosure.

Features, Benefits and Functions

- Semi-flush mounting. 7-inch design ideal for stucco homes
- Endwall knockouts are easily accessible for future wiring without damaging stucco
- Knockout in back of case for mounting car-charging receptacle in garage (meets future electric car requirements)
- Outboard split neutral for easy wiring
- Commercial grade main breaker
- Value-added kits available: Hub adapter plate

Product Selection

MBED3042B200BF



7-Inch Deep Meter Breaker—Standard Design OH/NG ①

Ampere Rating	Bypass	Service	kAIC	Jaws	Distribution	Main	Branch Breaker Type	Catalog Number—Flush	Factory-Installed Kits
100	None	UG	10	4	18/36	CCVH2100	BR	MBED1836B100BF	—
125	None	UG	10	4	18/36	CCVH2125	BR	MBED1836B125BF	—
200	None	UG	10	4	20/40	CCVH2200	BR	MBED2040B200BF	—
200 ②	None	UG	10	4	20/40	CCVH2200	BR	MBED2040B200BFN	—
200	None	UG	10	4	30/42	CCVH2200	BR	MBED3042B200BF	—
225	None	UG	10	4	20/40	CCVH2225	BR	MBED2040B225BF	—
225 ②	None	UG	10	4	20/40	CCVH2225	BR	MBED2040B225BFN	—
225	None	UG	10	4	30/42	CCVH2225	BR	MBED3042B225BF	—

Dimensions and Knockouts

Approximate Dimensions in Inches (mm)

7-Inch Deep Meter Breaker

Catalog Number—Flush	Height	Width	Depth
MBED1836B100BF	38.00 (965.2)	14.19 (360.4)	7.00 (177.8)
MBED1836B125BF	38.00 (965.2)	14.19 (360.4)	7.00 (177.8)
MBED2040B200BF	38.00 (965.2)	14.19 (360.4)	7.00 (177.8)
MBED2040B200BFN	42.50 (1079.5)	14.19 (360.4)	7.00 (177.8)
MBED3042B200BF	42.50 (1079.5)	14.19 (360.4)	7.00 (177.8)
MBED2040B225BF	38.00 (965.2)	14.19 (360.4)	7.00 (177.8)
MBED2040B225BFN	42.50 (1079.5)	14.19 (360.4)	7.00 (177.8)
MBED3042B225BF	42.50 (1079.5)	14.19 (360.4)	7.00 (177.8)

Notes

- ① Reference drawing EUSERC DWG-301A, G1
- ② Main Breaker Bus connected to 20/40 distribution. Main and Disconnect in same compartment.

4.2

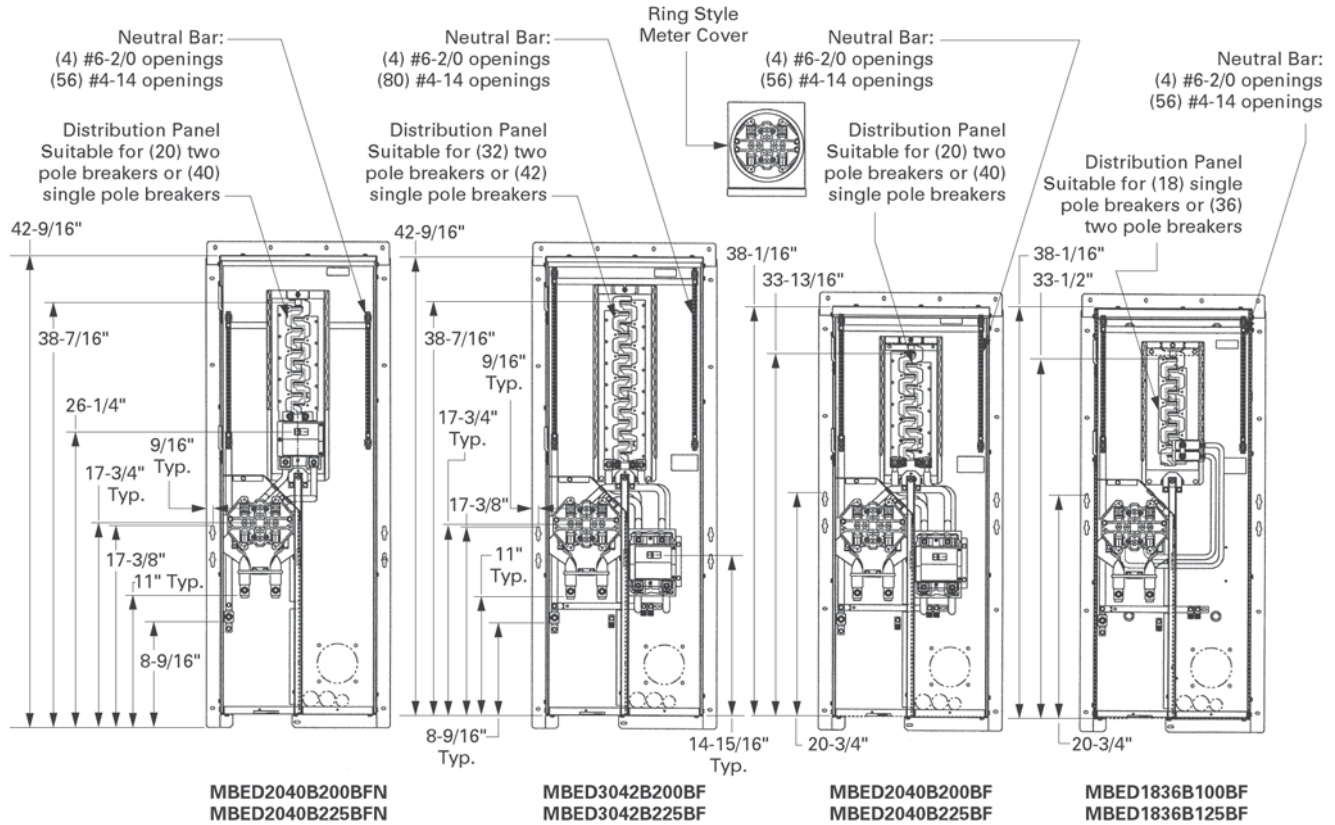
Metering Products

Meter Breakers

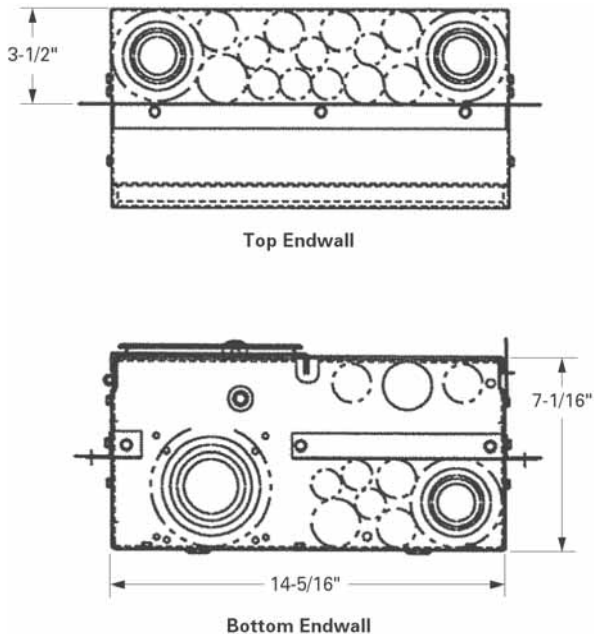
4

Approximate Dimensions in Inches (mm)

Catalog Numbers MBED2040B200BFN, MBED20408225BFN, MBED3042B200BF, MBED3042B225BF, MBED2040B200BF, MBED2040B225BF, MBED1836B100BF, MBED1836B125BF

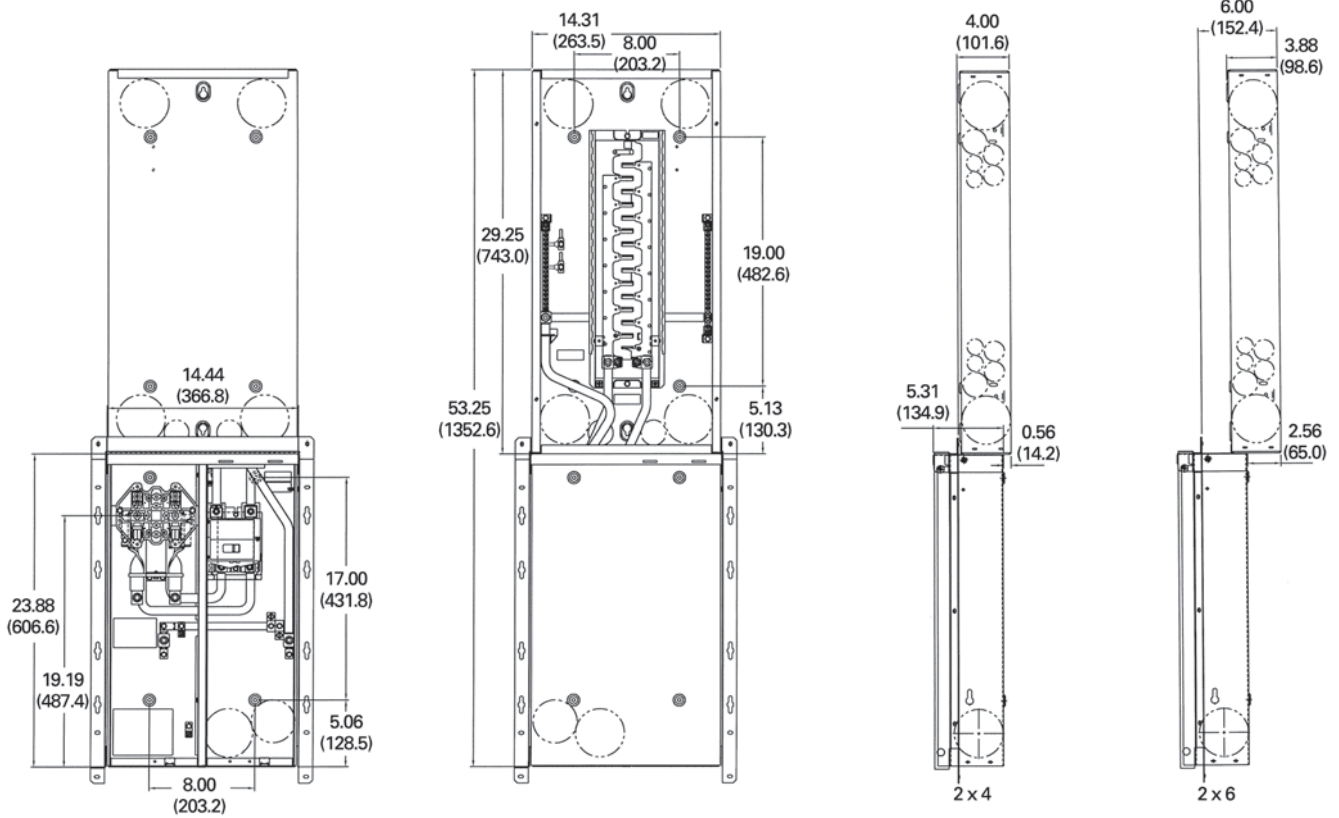


Knockout Configurations and Dimensions for MBED2040B200BFN, MBED20408225BFN, MBED3042B200BF, MBED3042B225BF, MBED2040B200BF, MBED2040B225BF, MBED1836B100BF, MBED1836B125BF

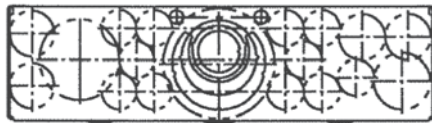


Approximate Dimensions in Inches (mm)

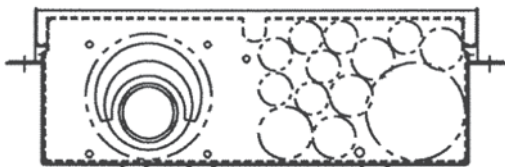
Catalog Numbers MBEB2003040BB, MBEB2253040BB



Knockout Configurations for MBEB2003040BB, MBEB2253040BB



Top Endwall



Bottom Endwall

House Panels



Contents

<i>Description</i>	<i>Page</i>
Residential Meter Breakers	V1-T4-35
Non-EUSERC Combination Service Entrance Devices 100–200 A Styles	V1-T4-37
EUSERC Required Service Entrance Devices 100–225 A	V1-T4-41
West Coast All-In-One Design	V1-T4-44
House Panels	
Product Selection	V1-T4-49
Accessories	V1-T4-50
Dimensions and Knockouts	V1-T4-51
Aluminum Meter Breakers	V1-T4-53
CH Style Renovation Solutions	V1-T4-54
Commercial Safety Sockets	V1-T4-55
Meter Breakers Accessories	V1-T4-58

House Panels

Product Description

Eaton’s House Panels offer a faster, easier and safer installation. These 400 A units are ideal for larger homes in North America that require meter breakers. Available in both CH and BR styles, these service entrance devices consist of a meter socket and a distribution section. In response to contractor feedback, these panels have been redesigned with a focus on flexibility, simplified wiring, and an overall ease of installation. All units come standard with a 22 kAIC main breaker. The load conductors can exit the top, bottom, side or back for greater application and installation flexibility.

Application Description

Additionally, Eaton’s House Panels can be used for apartments, condominiums, clubhouses or common areas.

Features, Benefits and Functions

- NEMA 3R rainproof
- Rated for service entrance equipment
- Lever bypass socket available on certain catalog numbers
- Pin type door hinges
- Socket to distribution section is connected via insulated cable for safety
- Second main space can accept 100–200 A BW, CSR or CSR breakers

Standards and Certifications

- Ring style units meet EUSERC requirements
- UL listed



Product Selection

House Panels

400 A "House Panels"



Ampere Rating	Security ①	Bypass ②	Main Breaker	Optional Secondary Main Breaker (Not Included)	Service Type	kAIC	Dist.	Line Side Main Lugs and Neutral (Lugs Not Included)	Semi-Flush Catalog Number ③④	Surface Catalog Number ④
300	Ringless	Lever	CSR2150	BW/CSR	OH/UG	22	8/16	Lug landings for compression	—	HP816P300BSL
300	Ringless	Lever	CSR2150	BW/CSR	UG	22	None		—	HPC30SHL
400	Ring	None	CSR2200N	CSH	UG	22	32/42	Lug landings for compression	—	CG403242SH ⑥
400	Ring	None	CSR2200N	CSH	UG	22	12/12		—	CG1212P400BS ⑥⑦
400	Ring	Manual / TEST ⑤	CSR2200	BRH/CSR	UG	22	None	—	—	HP40SHA ⑧
400	Ring	Manual / TEST ⑤	CSR2200	BRH/CSR	UG	22	40/40	—	—	HP404040SHA ⑧⑨
400	Ring	None	DK2400	None	UG	22	None	—	—	HP40 ⑤
400	Ring	None	CSR2200	BRH/CSR	UG	22	None	—	—	HP40SH ⑥⑧
400	Ring	None	DK2400	None	UG	22	24/42	—	—	HP402442 ⑥
400	Ring	None	CSR220	BRH/CSR	UG	22	40/40	—	HP404040SHF ⑥	HP404040SH ⑥⑧
400	Ring	Manual / TEST ⑤	CSR2200	BRH/CSR	UG	22	40/40	—	HP404040SHFA ⑥	—
400	Ring	None	CSR2200	BRH/CSR	UG	22	8/16	—	—	HP816P400BS ⑥⑦⑩
400	Ringless	Lever	CSR2200N	CSH	UG	22	12/12	—	—	CG1212P400BSL ⑦
400	Ringless	Lever	CSR2200N	CSH	UG	22	42/42	—	—	CG404242SHL
400	Ringless	Lever	CSR2200	BRH/CSR	UG	22	None	—	—	HP40SHL ⑧
400	Ringless	Lever	CSR2200	BRH/CSR	OH/UG	22	None	—	—	HPC40SHL ⑧
400	Ringless	Lever	CSR2200	BRH/CSR	UG	22	40/40	—	—	HP404040SHL ⑧
400	Ringless	Lever	CSR2200	BRH/CSR	UG	22	8/16	—	—	HP816P400BSL ⑦⑧⑩
400	Ringless	Lever	CSR2200	BRH/CSR	OH/UG	22	4/6	—	—	HPC4046SHLG ⑩
400	Ringless	Lever	CSR2200	BRH/CSR	OH/UG	22	4/6	—	—	HPC4046SHLX ⑩
Bolt-On Socket										
400	Ringless	None	DK2400	None	UG	22	24/40	Lug landings for compression	—	HP402440B ⑩
400	Ringless	None	CSR2200	BRH/CSR	UG	22	24/40		—	HP402440SBH ⑥⑩





Notes

- ① Confirm security type for individual EUSERC utility requirements.
- ② Included in all of the following devices.
- ③ If unit needs to be semi-flush, order accessory item catalog number **HPPR** to convert **all** surface mounting devices to semi-flush mounting.
- ④ BR style has **HP** prefix. CH style has **CG** prefix.
- ⑤ "Test" or "Manual" bypass allows utility capability to bypass the meter socket during service operations. The terms are specific to meeting utility requirements but function identically.
- ⑥ Reference drawing EUSERC DWG-302A, G1.
- ⑦ Feed-through lugs included.
- ⑧ For 10 kAIC, use BR or BW breakers as secondary main.
- ⑨ Includes manual bypass and additional ground lug to meet Nevada Power requirements.
- ⑩ To order a 5th Jaw Kit, please order MSL5TK.
- ⑪ Georgia Power approved.
- ⑫ Xcel approved.
- ⑬ Bolt-on meter socket.

Accessories

- Top-feed gutter kit to ease top-fed installation
- Re-engineered, adjustable flush mount kit for a cleaner installation
- 100 A second main breaker kit
- New 750 kcmil box type lug kit

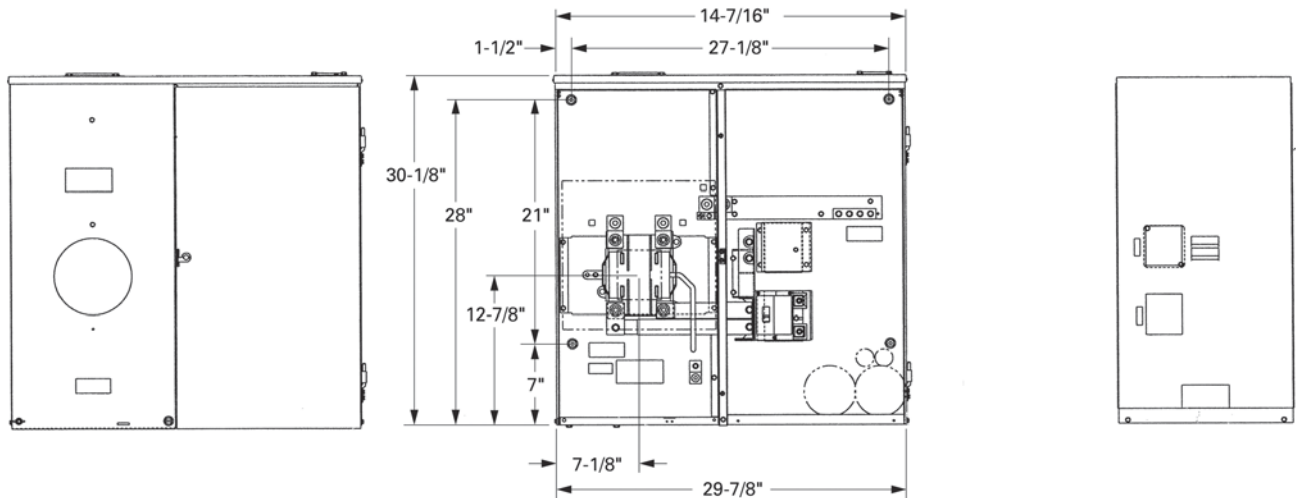
Accessories

	Description	Catalog Number
	Top feed kit to convert surface mount house panel for overhead service	HP40TFKIT
	750 kcmil lug kit	HPBLK750
	Manual bypass kit	HPBPK
	Flushmount kit	HPPR
	100 A 2nd main kit (Type BR branch)	HP2NDMNKIT
	100 A 2nd main kit (Type CH branch)	CH2NDMNKIT
	5th jaw for lever bypass house panels	ARP00326CH
	Locates 3-inch (only) incoming conduit to back of can by utilizing the 4-inch knockout useful in semi-flush applications	HP40HUBPLATE

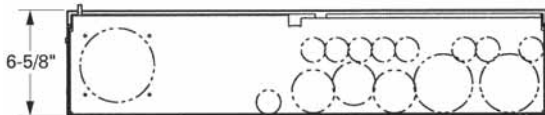
Dimensions and Knockouts

Approximate Dimensions in Inches (mm)

Catalog Numbers HPC40SHL and HPC30SHL



Knockout Configurations and Dimensions for HPC40SHL and HPC30SHL



4.2

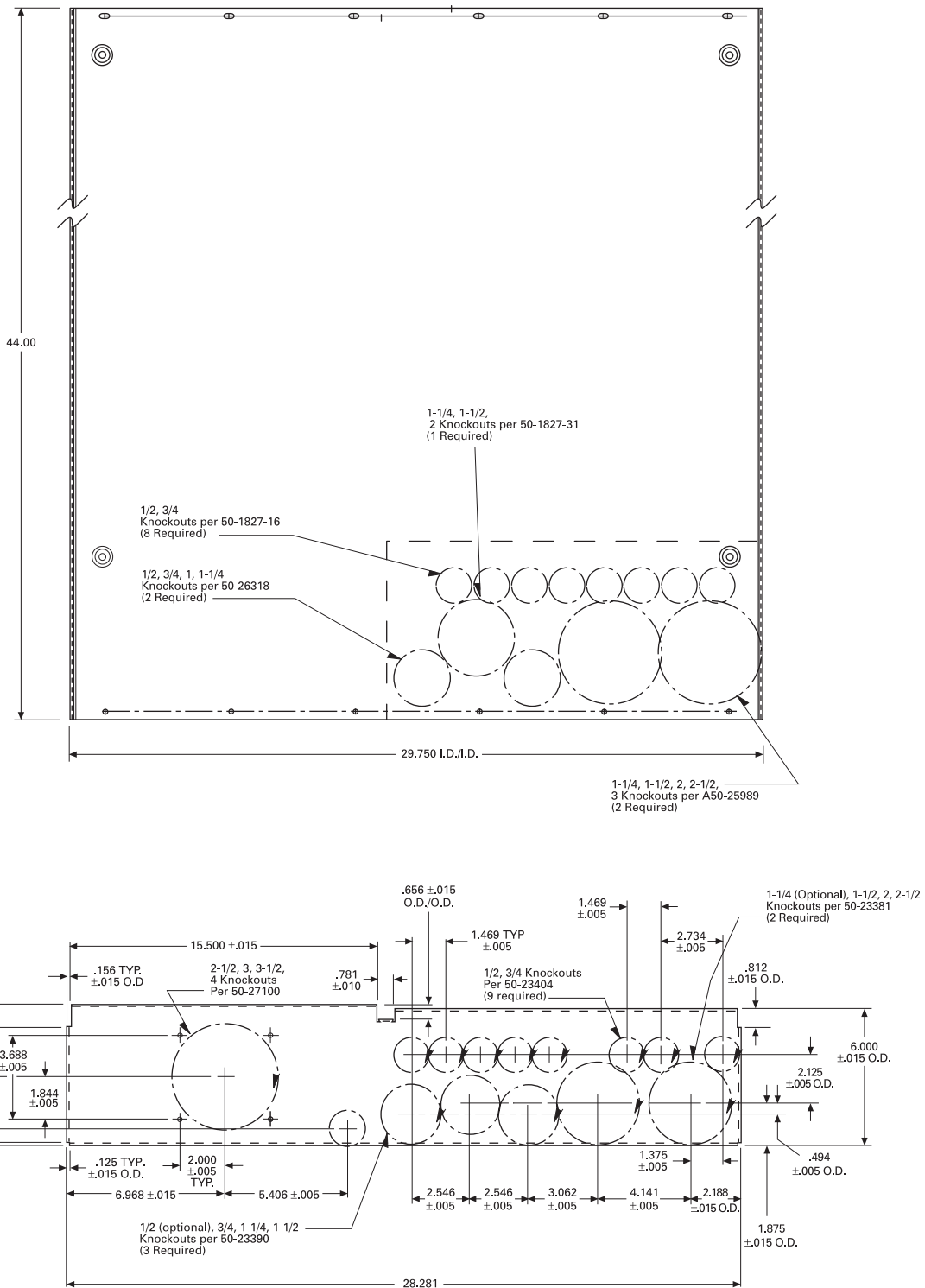
Metering Products

Meter Breakers

Approximate Dimensions in Inches (mm)

House Panel Dimensions and Knockouts—For All House Panels Except Those With HPCPREFIX

4



Aluminum Meter Breakers

Contents

<i>Description</i>	<i>Page</i>
Residential Meter Breakers	V1-T4-35
Non-EUSERC Combination Service Entrance Devices 100–200 A Styles	V1-T4-37
EUSERC Required Service Entrance Devices 100–225 A	V1-T4-41
West Coast All-In-One Design	V1-T4-44
House Panels	V1-T4-48
Aluminum Meter Breakers CH Style Renovation Solutions	V1-T4-54
Commercial Safety Sockets	V1-T4-55
Meter Breakers Accessories	V1-T4-58

Aluminum Meter Breakers

Product Description

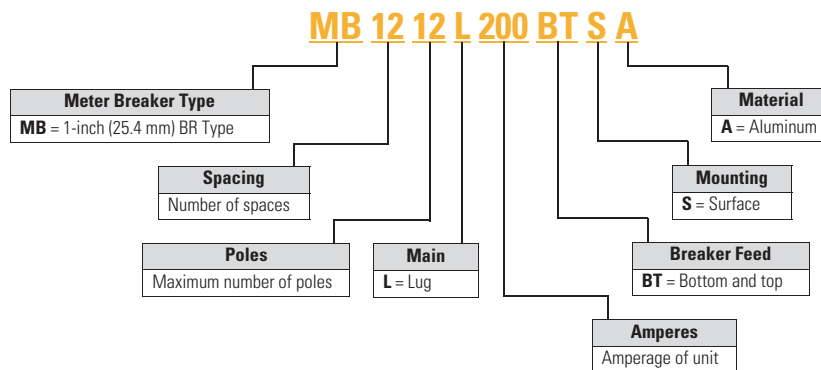
Eaton’s Aluminum Meter Breaker enclosure and external cover offers excellent corrosion resistance in the harshest coastal environments. The meter breaker’s light weight and overhead/underground design offers flexibility and ease of installation.

Features and Benefits

- Overhead/underground design provides flexibility with wiring options
- Steel meter guides are standard, which provides a means of easy installation of the utility glass bulb meter into the meter’s jaws
- Main Lug Only design includes six two-pole breaker locations, which complies with National Electrical Code 225.33 (maximum number of disconnects)
- Distribution section accepts BR branch breakers
- Single-phase, three-wire 120/240 Vac applications
- Hub closure plate is provided, attached to the top of the device
- Optional fifth jaw can be applied to 3 o’clock or 9 o’clock meter socket position
- 10-year warranty
- For customer support, contact Eaton’s Technical Resource Center at 1-877-ETN-CARE
- For additional information or to place an order, contact your local Eaton representative or visit us at www.eaton.com

Catalog Number Selection

Aluminum Meter Breakers



CH Style Renovation Solutions



Contents

<i>Description</i>	<i>Page</i>
Residential Meter Breakers	V1-T4-35
Non-EUSERC Combination Service Entrance Devices 100–200 A Styles	V1-T4-37
EUSERC Required Service Entrance Devices 100–225 A	V1-T4-41
West Coast All-In-One Design	V1-T4-44
House Panels	V1-T4-48
Aluminum Meter Breakers	V1-T4-53
CH Style Renovation Solutions Commercial Safety Sockets	V1-T4-55
Meter Breakers Accessories	V1-T4-58

CH Style Renovation Solutions

Product Description

- Ring style meter socket design
- Provisional main breaker or factory main breaker available
- Center top feed design
- Exit bottom or top design
- 100 A, 125 A or 200 A ratings available

Product Selection

CH Style Retrofit Solutions ①

Ampere Rating	Description	Catalog Number
100	CH, 22 circuit, provision, center top feed, exit top or bottom, flush, OH/UG	CMBE22P100BTFR
125	CH, 22 circuit, provision, center top feed, exit top or bottom, surface, OH/UG	CMBE22P125BTSR
125	CH, 22 circuit, provision, center top feed, exit top or bottom, flush, OH/UG	CMBE22P125BTFR
200	CH, 32/42 circuit, 200 A main breaker, center top feed, exit top or bottom, semi-flush, OH/UG	CMBE3242B200BTS
200	CH, 32/42 circuit, 200 A main breaker, center top feed, exit top or bottom, flush, OH/UG	CMBE3242B200BTFR

Note

① Reference drawing EUSERC DWG-308, G1.

Commercial Safety Sockets



Contents

<i>Description</i>	<i>Page</i>
Residential Meter Breakers	V1-T4-35
Non-EUSERC Combination Service Entrance Devices 100–200 A Styles	V1-T4-37
EUSERC Required Service Entrance Devices 100–225 A	V1-T4-41
West Coast All-In-One Design	V1-T4-44
House Panels	V1-T4-48
Aluminum Meter Breakers	V1-T4-53
CH Style Renovation Solutions	V1-T4-54
Commercial Safety Sockets Product Selection	V1-T4-56
Meter Breakers Accessories	V1-T4-58

Commercial Safety Sockets

Product Description

A Commercial Safety Socket is service entrance equipment that consists of a commercial meter socket with a test block, and may come with or without a loadcenter type distribution section.

Application Description

Eaton's Commercial Safety Sockets are typically used where a single meter socket or single meter socket with a distribution section are needed. These areas could include a commercial business, commercial office building, individual retail facilities and signs and street lighting. Commercial Safety Sockets are typically used in EUSERC utility regions.

Features, Benefits and Functions

Commercial Safety Sockets with No Secondary Feeder



- Ring type continuous duty meter socket. 600 Vac maximum, single- or three-phase
- 100 and 200 A units
- Bussed connection from meter socket to test block
- For use with self-contained watt-hour meter
- Conform with EUSERC standards
- NEMA 3R construction for indoor/outdoor applications
- Units can be individually mounted with provisions for hub kits and pole mounting

Overhead Combination Units



- NEMA 3R construction for indoor/outdoor applications
- T-fuse protection, 480 Vac maximum
- Line at top, load at bottom
- 100 and 200 A units available up to 480 Vac maximum
- Circuit breaker protection to 480 Vac maximum in 10, 22, 42 and 100 kAIC ratings
- Factory-cabled connection from test block to line side of tenant main

Underground Combination Units



- 100 and 200 A units
- 480 Vac maximum
- NEMA 3R construction for indoor/outdoor applications
- Underground or overhead feed
- Provisions for self-contained watt-hour meter
- Bussed connection from meter socket to test block
- Tenant main disconnects are available with circuit breakers up to 480 Vac maximum and T-fuse mains, 240 Vac maximum
- Load wires can exit top or bottom

Product Selection

Overhead and Underground Combination Units and Individual Units

CH127TB



4

Individual Safety Sockets—600 V Maximum—No Secondary Feeder Devices ^①

Ampere Rating	No. of Jaws	AC Voltage	Service	Phase, Wire	Maximum Interrupting Rating	Wire Size	Catalog Number
125	4	600	OH/UG	Single-phase, three-wire	②	#14–2/0	CH114TB
125	5	600	OH/UG	Three-phase, three-wire	②	#14–2/0	CH115TB
125	7	600	OH/UG	Three-phase, four-wire	②	#14–2/0	CH117TB
200	4	600	OH/UG	Single-phase, three-wire	②	#6–250 kcmil	CH124TB
200	5	600	OH/UG	Three-phase, three-wire	②	#6–250 kcmil	CH125TB
200	7	600	OH/UG	Three-phase, four-wire	②	#6–250 kcmil	CH127TB

Commercial Safety Sockets with Provision for Main Circuit Breaker ^③

Ampere Rating	No. of Jaws	AC Voltage	Service	Phase, Wire	Feeder Circuit Breaker	Maximum Interrupting Rating	Wire Size	Catalog Number
125	4	240	OH	Single-phase, three-wire	Provision ^④	⑥	#14–2/0	CH214MTBLB
125	7	208/120	OH	Three-phase, four-wire	Provision ^④	⑥	#14–2/0	CH217MTBLB
125	4	240	UG	Single-phase, three-wire	Provision ^④	⑥	#14–2/0	CHU214MTBLB
125	7	208/120	UG	Three-phase, four-wire	Provision ^④	⑥	#14–2/0	CHU217MTBLB
200	4	120/240	OH	Single-phase, three-wire	Provision ^⑤	⑦	#6–250 kcmil	CH224MTBLB
200	7	208/120	OH	Three-phase, four-wire	Provision ^⑤	⑦	#6–250 kcmil	CH227MTBLB
200	4	120/240	UG	Single-phase, three-wire	Provision ^⑤	⑦	#6–250 kcmil	CHU224MTBLB
200	7	208/120	UG	Three-phase, four-wire	Provision ^⑤	⑦	#6–250 kcmil	CHU227MTBLB

Commercial Safety Sockets with Main Circuit Breaker Included ^③

Ampere Rating	No. of Jaws	AC Voltage	Service	Phase, Wire	Feeder Circuit Breaker	Maximum Interrupting Rating	Wire Size	Catalog Number
100	7	480/277	OH	Three-phase, four-wire	EHD3100	14 kA	#14–2/0	CH217MTBM515
100	7	480/277	UG	Three-phase, four-wire	EHD3100	14 kA	#14–2/0	CHU217MTBMS15
200	7	480/277	OH	Three-phase, four-wire	JD3200	25 kA	#6–250 kcmil	CH227MTBHMS15
200	7	480/277	UG	Three-phase, four-wire	JD3200	25 kA	#6–250 kcmil	CHU227MTBHMS15

Notes

- ① Reference drawing EUSERC DWG-305, G1.
- ② If being protected by a fuse, the interrupting rating of the unit is limited to the fuse AIC rating. If being protected by a single- or three-phase, 600 V breaker, the AIC is 14 kA; by a maximum 400 A, single-phase, 240 V breaker, the AIC is 18 kA; by a maximum 200 A, single- or three-phase, 240 V breaker, the AIC is 18 kA; by a maximum 125 A, single-phase, 240 V breaker, the AIC is 22 kA.
- ③ Reference drawing EUSERC DWG-305A, G1.
- ④ Order plug-on Type BR, BRH or BRHH circuit breaker separately.
- ⑤ Order Type CC breaker or CCH breaker separately.
- ⑥ Type BR = 10 kA; Type BRH = 22 kA; Type BRHH = 42 kA.
- ⑦ Type CCV = 10 kA; Type CCVH = 25 kA.

Underground Combination Units and Safety Sockets

CHU227MTBP

Commercial Safety Sockets with T-Fuse Switch ①



Ampere Rating	No. of Jaws	AC Voltage	Service	Phase, Wire	Feeder Circuit Breaker	Maximum Interrupting Rating	Wire Size
100	4	120/240	OH	Single-phase, three-wire	200 kA	#14-2/0	CH214MTBP
100	7	208/120	OH	Three-phase, four-wire	200 kA	#14-2/0	CH217MTBP
100	4	120/240	UG	Single-phase, three-wire	200 kA	#14-2/0	CHU214MTBP
100	7	208/120	UG	Three-phase, four-wire	200 kA	#14-2/0	CHU217MTBP
200	4	120/240	OH	Single-phase, three-wire	200 kA	#6-250 kcmil	CH224MTBP
200	7	208/120	OH	Three-phase, four-wire	200 kA	#6-250 kcmil	CH227MTBP
200	4	120/240	UG	Single-phase, three-wire	200 kA	#6-250 kcmil	CHU224MTBP
200	7	208/120	UG	Three-phase, four-wire	200 kA	#6-250 kcmil	CHU227MTBP

Notes

① Reference drawing EUSERC DWG-305A, G1.

Order Type CC or CHH breaker separately.

Meter Breakers Accessories



Meter Breaker with Interlock Cover

Meter Breakers Accessories

Underground Combination Units and Safety Socket Accessories

Hubs

Description	Carton Weight Lbs (kg)	Catalog Number
Hub closure plate	3 (1.4)	ARP00002CHB
1.00-inch (25.4 mm) hub	3 (1.4)	ARP00003CH1
1.25-inch (31.8 mm) hub	3 (1.4)	ARP00004CH12
1.50-inch (38.1 mm) hub	3 (1.4)	ARP00005CH15
2.00-inch (50.8 mm) hub	3 (1.4)	ARP00006CH2
2.50-inch (63.5 mm) hub	3 (1.4)	ARP00007CH25

Hub Adapter Plate

Description	Catalog Number
Hub adapter plate	MBEDADPT

Top Endwall (Surface) Hub Provision Selection Chart

Description	Catalog Number
1.00 (25.4)	DS100H2
1.25 (31.8)	DS125H2
1.50 (38.1)	DS150H2
2.00 (50.8)	DS200H2
2.50 (63.5)	DS250H2
3.00 (76.2)	DS300H2
Adapter Plate if using DS___H1 hubs only) ③	DS900AP

Contents

Description	Page
Residential Meter Breakers	V1-T4-35
Non-EUSERC Combination Service Entrance Devices 100–200 A Styles	V1-T4-37
EUSERC Required Service Entrance Devices 100–225 A	V1-T4-41
West Coast All-In-One Design	V1-T4-44
House Panels	V1-T4-48
Aluminum Meter Breakers	V1-T4-53
CH Style Renovation Solutions	V1-T4-54
Commercial Safety Sockets	V1-T4-55
Meter Breakers Accessories	
Mechanical Interlock Cover	V1-T4-59
Technical Data and Specifications	V1-T4-60
Dimensions and Knockouts	V1-T4-61

Other Accessories for Meter Breakers

Meter Breaker Parts ①

Description	Catalog Number
5th Jaw Kits	
Compact and standard styles (MB and CMB)	MB5JAWKIT
EUSERC style	IMM5JKOP ②
Horn Bypass Kits	
Ringless Style units only (MB and CMB)	MBHBPKIT

Jaws

Description	Part Number
5th jaw kit	CH50371

Notes

① For breakers under 70 A used in backfed applications, add “B” to the end of the catalog string to get the appropriate “hold-down” version.

② Reference drawing EUSERC DWG-G1.

③ Use when DS H1 Type 1, 1.25 and 1.50-inch hubs are needed.

Use DS...H2 hubs for bottom endwalls (for all units). Use RH hubs for top endwalls on semi-flush units. Use DS...H2 hubs for top endwalls on surface devices.

Mechanical Interlock Cover

Covers mechanically interlock two breakers. Covers interlock main breaker with two-pole breaker mounted in the distribution section of the meter breakers.

Meter Breaker with Interlock Cover



Mechanical Interlock Cover

Mechanical Interlock Deadfront	Meter Breaker Catalog Number
MBDF1M	CMB1212B200BTS
	CMB1212B200BTSD
	CMB1212P200BTS
	CMB1212P200BTSD
MBDF2M	MB816B200BTS
	MB816B200BTSCU
	MB816P200BTS
	MB816P200BTSCU
MBDF3M	MB816P200STD
	MB2040B200BTS
	MB2040P200BTS
MBDF4M	MB2040P200SD
	MBE816P200TS
	MBE816P200TSCU
MBDF5M	MBE2040B150BF
	MBE2040B150BS
	MBE2040B200BF
	MBE2040B200BS
MBDF6M	MBE2040B200TF
	MBE2040B200TS
	MBE2040P200TF
	MBE2040P200TS
MBDF7M	CMBE3242B150BF
	CMBE3242B150BS
	CMBE3242B200BF
	CMBE3242B200BS
	CMB3242B150BS
MBDF8M	CMB3242B200BS
	CMBE4242B200BSH
	CMBE4242B200BTF
MBDF9M	CMBE4242B200BTS
	MBE4040B200BSH
	MBE4040B200BSHH
	MBE4040B200BTF
	MBE4040B200BTS

Mechanical Interlock Deadfront	Meter Breaker Catalog Number
MBDF1AM	CMB2424B200BTS
MBDF10M	CMB24B200TFR
	CMB24B200TSR
MBDF12M	CMBX3242B200BTS
	CMBX3242P200BTS
MBDF13M	MBE3042B200BF
	MBE3042B225BF
MBDF14M	CMBE88B150BTF
	CMBE88B150BTS
	CMBE88B200BTF
	CMBE88B200BTS
MBDF15M	MBE48B150BTF
	MBE48B150BTS
	MBE48B200BTF
	MBE48B200BTS
MBDF16M	MBE88B150BTF
	MBE88B150BTS
	MBE88B200BTF
	MBE88B200BTS
MBDF17M	MBE2040BC200BTS
	MBE2040BH200BTF
	MBE2040BH200BTS
	MBE2040B150BTF
	MBE2040B150BTS
	MBE2040B200BTF
	MBE2040B200BTS
MBE2040B225BTF	
	MBE2040B225BTS

Technical Data and Specifications

Wire Size Chart

Main	Wire Size Range Cu/Al 60 °C or 75 °C for Line Terminals
	BR250
BR260	#4–1/0 kcmil
BR270	#4–1/0 kcmil
BR280	#4–1/0 kcmil
BR290	#4–1/0 kcmil
BR2100	#4–1/0 kcmil
BW2125	#2–300 kcmil
BW2150	#2–300 kcmil
BW2200	#2–300 kcmil
CSR2125	#2–300 kcmil
CSR2150	#2–300 kcmil
CSR2200	#2–300 kcmil
CSR2125N	#1/0–250 kcmil
CSR2150N	#1/0–250 kcmil
CSR2200N	#1/0–250 kcmil
125 A main lugs	—
200 A main lugs	—
MCBK225	#2–300 kcmil

Wire Size is Determined by the Circuit Breaker Installed in the Enclosure

Wire/Application	Maximum	
	Wire Size	Ampere Rating
Aluminum—Standard	250 kcmil	200
Aluminum—Service Entrance	250 kcmil	225
Copper—Standard and Service Entrance	250 kcmil	225

Notes

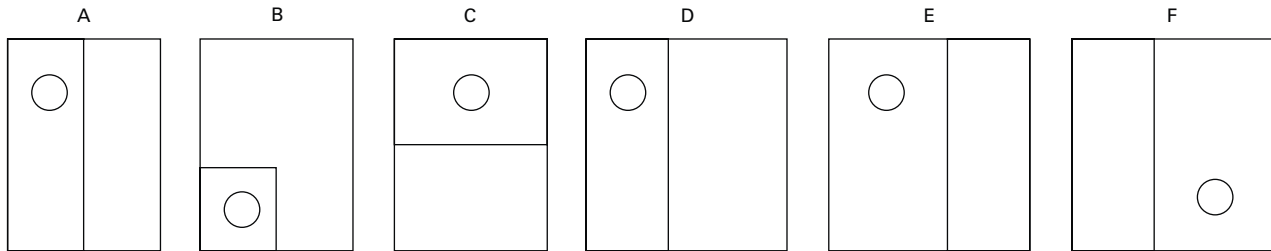
- ① For breakers under 70 A used in backfed applications, add “B” to the end of the catalog string to get the appropriate “hold-down” version.
- ② Reference drawing EUSERC DWG-G1.
- ③ Use when DS H1 Type 1, 1.25 and 1.50-inch hubs are needed.

Use DS...H2 hubs for bottom endwalls (for all units). Use RH hubs for top endwalls on semi-flush units. Use DS...H2 hubs for top endwalls on surface devices.

Dimensions and Knockouts

Approximate Dimensions in Inches (mm)

Box Styles—Five Different Styles (Shapes) of Product



Box Dimensions

Box Number	Height	Width	Depth	Box Style
1	12.50 (317.5)	14.44 (366.7)	4.00 (101.6)	A
2	23.88 (606.4)	14.44 (366.7)	5.38 (136.5)	A
3	28.38 (720.7)	14.44 (366.7)	5.38 (136.5)	A
4	34.13 (866.8)	14.44 (366.7)	5.38 (136.5)	B
5	36.13 (917.6)	14.44 (366.7)	5.38 (136.5)	B
6	43.38 (1101.7)	14.44 (366.7)	5.38 (136.5)	B
7	46.88 (1190.6)	14.44 (366.7)	5.38 (136.5)	B
8	19.75 (501.7)	7.50 (190.5)	4.00 (101.6)	C
9	25.00 (635.0)	14.44 (366.7)	5.38 (136.5)	C
10	32.38 (822.3)	14.44 (366.7)	5.38 (136.5)	C
11	36.63 (930.3)	14.44 (366.7)	5.38 (136.5)	C
12	34.38 (873.1)	22.00 (558.8)	5.38 (136.5)	D
13	19.75 (501.7)	14.44 (366.7)	5.38 (136.5)	E
14	39.91 (1013.7)	14.44 (366.7)	5.38 (136.5)	C
15	23.88 (606.6)	13.00 (330.2)	4.94 (125.5)	F
16	28.38 (720.9)	13.00 (330.2)	4.94 (125.5)	F
17	34.19 (868.4)	22.13 (562.1)	5.00 (127.0)	D
18	36.06 (915.9)	16.63 (422.4)	5.50 (139.7)	A
19	28.38 (720.9)	14.44 (366.8)	4.94 (125.5)	A
20	32.06 (814.3)	14.44 (366.8)	4.94 (125.5)	C
21	25.50 (647.7)	14.44 (366.8)	4.94 (125.5)	C

4.2

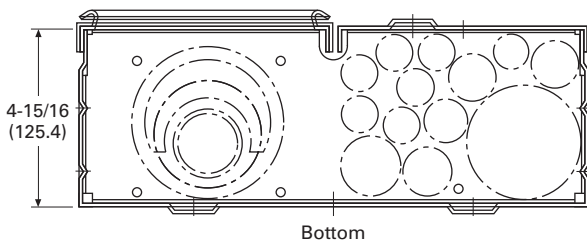
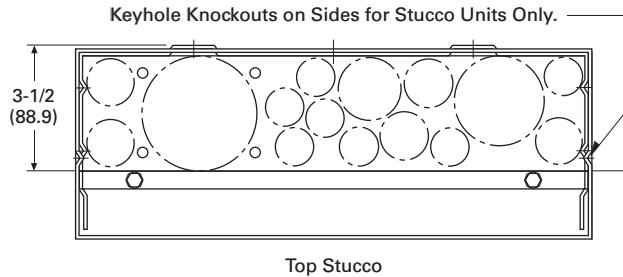
Metering Products

Meter Breakers

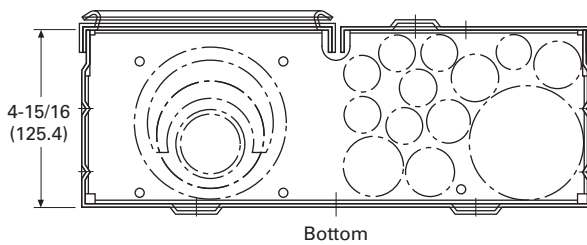
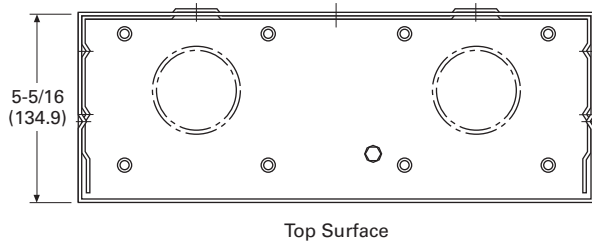
Approximate Dimensions in Inches (mm)

**Knockouts for Stucco and Surface Units Catalog Numbers—
CMBE3242B200BF, CMBE3242B225BF, MBE2040B200BF,
MBE2040B150BF, MBE1428B100BF, MBE1212L200BTF,
MBE1836B125BF and MBE1212L200BTS**

4



**Knockouts for Stucco and Surface Units Catalog Numbers—
CMBE3242B150BS, CMBE3242B200BS, CMBE3242B225BS,
CMBE1212L200BS, MBE2040B200BS, MBE1428B100BS,
MBE1212L200BTS, CMB3242B150BS and CMB3242B200BS**



Top Endwall (Surface)

Hub Provision Catalog Number	Quantity
DS100H2	①
DS125H2	①
DS150H2	①
DS200H2	①
DS250H2	①
DS300H2	①
DS900AP (Adapter Plate if using DS___H1 hubs only) ②	①

Top Endwall (Stucco) ③

Knockout Size Dimensions in Inches (mm)	Quantity
1.25, 1.50, 2.00, 2.50 (31.8, 38.1, 50.8, 63.5)	1
1.00, 1.25, 1.50 (25.4, 31.8, 38.1)	1
0.50, 0.75, 1.00 (12.7, 19.1, 25.4)	1
0.50, 0.75 (12.7, 19.1)	3
0.50 (12.7)	3

Bottom Endwall

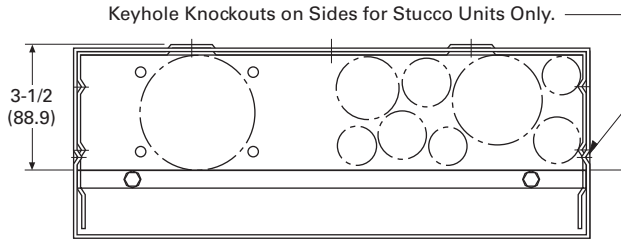
Knockout Size Dimensions in Inches (mm)	Quantity
0.50 (12.7)	7
0.50, 0.75 (12.7, 19.1)	4
0.50, 0.75, 1.00 (12.7, 19.1, 25.4)	1
1.00, 1.25, 1.50, 2.00 (25.4, 31.8, 38.1, 50.8)	1
1.25, 1.50, 2.00, 2.50, 3.00 (31.8, 38.1, 50.8, 63.5, 76.2)	1

Notes

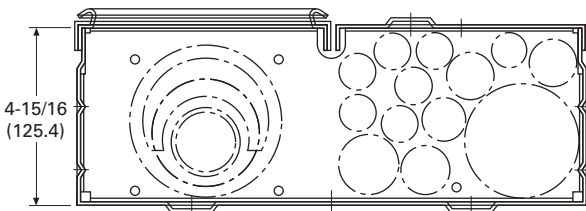
- ① For details regarding quantities, please contact the Technical Resource Center (TRC) at 1-877-ETN-CARE.
- ② Use when DS H1 Type 1, 1.25 and 1.50-inch hubs are needed.
- ③ RH hubs are to be used for Top Endwall (Stucco) endwalls.

Approximate Dimensions in Inches (mm)

**Knockouts for Stucco and Surface Units Catalog Numbers—
CMBE88B150BTF, CMBE88B200BTF, MBE24L125BTF,
MBE24L200BTF, MBE48B200BTF, MBEB200BTF,
MBE1224B100BTF and MBE1224B125BTF**

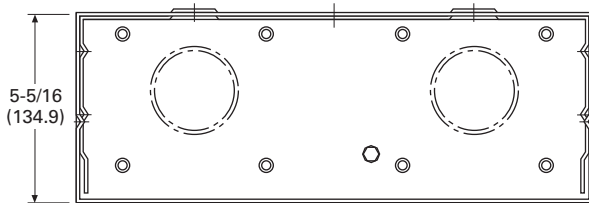


Top Stucco

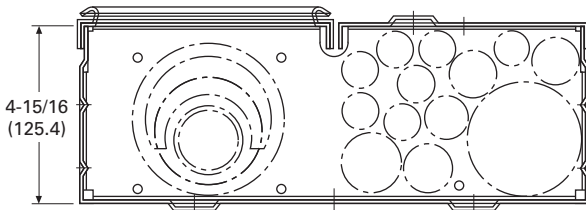


Bottom

**Knockouts for Stucco and Surface Units Catalog Numbers—
CMBB150BTS, CMBB200BTS, CMBP200BTS,
CMBE24L125BTS, CMB24L125BTS, CMBE24L200BTS,
CMBEB200BTS, CMBEB150BTS, CMBE88B150BTS,
CMBP200BTS, CMBE88B200BTS, MBE24L125BTS,
MBE24L200BTS, MBE48B150BTS, MBE48B200BTS,
MBE88B200BTS, MBEB200BTS, MBE1224B100BTS,
MBE1224B125BTS, CMB88B150BTS, CMB88B200BTS
and MB48B200BTS**



Top Surface



Bottom

Top Endwall (Surface)

Hub Provision Catalog Number	Quantity
DS100H2	①
DS125H2	①
DS150H2	①
DS200H2	①
DS250H2	①
DS300H2	①
DS900AP (Adapter Plate if using DS___H1 hubs only) ②	①

Top Endwall (Stucco) ③

Knockout Size Dimensions in Inches (mm)	Quantity
1.25, 1.50, 2.00, 2.50 (31.8, 38.1, 50.8, 63.5)	1
1.00, 1.25, 1.50 (25.4, 31.8, 38.1)	1
0.50, 0.75, 1.00 (12.7, 19.1, 25.4)	1
0.50, 0.75 (12.7, 19.1)	3
0.50 (12.7)	3

Bottom Endwall

Knockout Size Dimensions in Inches (mm)	Quantity
0.50 (12.7)	7
0.50, 0.75 (12.7, 19.1)	4
0.50, 0.75, 1.00 (12.7, 19.1, 25.4)	1
1.00, 1.25, 1.50, 2.00 (25.4, 31.8, 38.1, 50.8)	1
1.25, 1.50, 2.00, 2.50, 3.00 (31.8, 38.1, 50.8, 63.5, 76.2)	1

Notes

- ① For details regarding quantities, please contact the Technical Resource Center (TRC) at 1-877-ETN-CARE.
- ② Use when DS H1 Type 1, 1.25 and 1.50-inch hubs are needed.
- ③ RH hubs are to be used for Top Endwall (Stucco) endwalls.

4.2

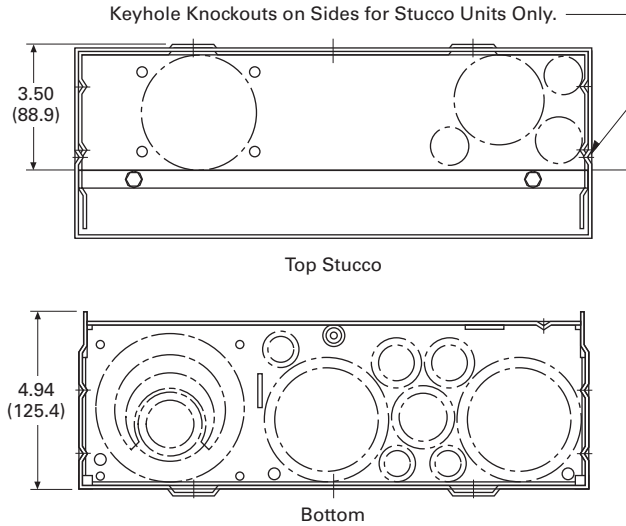
Metering Products

Meter Breakers

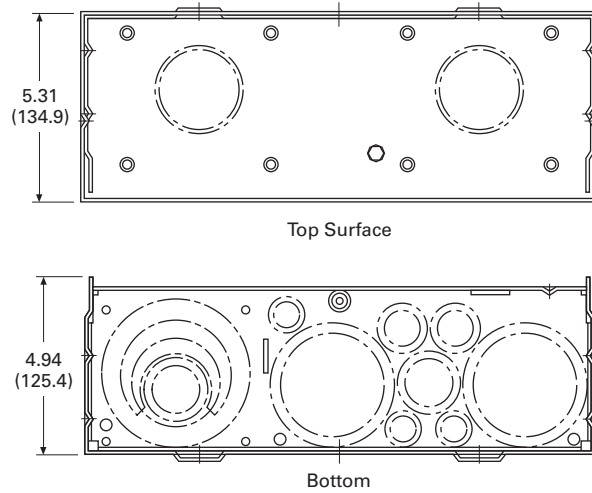
4

Approximate Dimensions in Inches (mm)

Knockouts for Stucco and Surface Units Catalog Number—MMBE2040B200TF



Knockouts for Stucco and Surface Units Catalog Numbers—MBE1224B100TS, MBE1224B125TS, MBE816P200TS, MBE816P200TSCU, MBE2040B200TS, CMB1212P200BTS, CMB1212P200BTSD, CMB1212B200BTS, MB1212L200BTS and CMB1212L200BTS



Top Endwall (Surface)

Hub Provision Catalog Number	Quantity
DS100H2	①
DS125H2	①
DS150H2	①
DS200H2	①
DS250H2	①
DS300H2	①
DS900AP (Adapter Plate) ②	①

Top Endwall (Stucco) ③

Knockout Size Dimensions in Inches (mm)	Quantity
1.25, 1.50, 2.00, 2.50 (31.8, 38.1, 50.8, 63.5)	1
1.00, 1.25, 1.50 (25.4, 31.8, 38.1)	1
0.50, 0.75, 1.00 (12.7, 19.1, 25.4)	1
0.50, 0.75 (12.7, 19.1)	3
0.50 (12.7)	3

Bottom Endwall

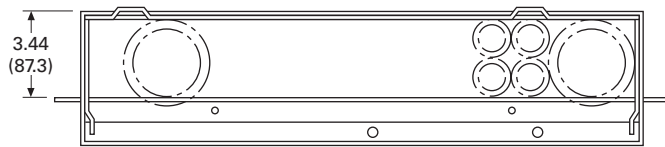
Knockout Size Dimensions in Inches (mm)	Quantity
0.50 (12.7)	7
0.50, 0.75 (12.7, 19.1)	4
0.50, 0.75, 1.00 (12.7, 19.1, 25.4)	1
1.00, 1.25, 1.50, 2.00 (25.4, 31.8, 38.1, 50.8)	1
1.25, 1.50, 2.00, 2.50, 3.00 (31.8, 38.1, 50.8, 63.5, 76.2)	1

Notes

- ① For details regarding quantities, please contact the Technical Resource Center (TRC) at 1-877-ETN-CARE.
- ② Use when DS H1 Type 1, 1.25 and 1.50-inch hubs are needed.
- ③ RH hubs are to be used for Top Endwall (Stucco) endwalls.

Approximate Dimensions in Inches (mm)

Knockouts for Stucco and Surface Units



Top Flush

MBE4040B200BTF



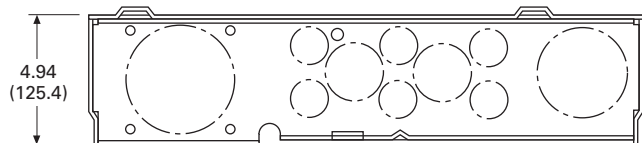
Top Surface

**CMBE4242B200BTS
MBE4040B200BTS**

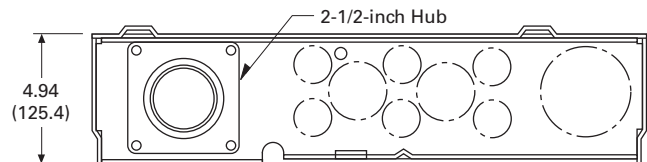


Top Surface

MBE4040B200BSH



Bottom



Bottom

Top Endwall (Surface)

Hub Provision Catalog Number	Quantity
DS100H2	①
DS125H2	①
DS150H2	①
DS200H2	①
DS250H2	①
DS300H2	①
DS900AP (Adapter Plate) ②	①

Top Endwall (Stucco) ③

Knockout Size Dimensions in Inches (mm)	Quantity
1.25, 1.50, 2.00, 2.50 (31.8, 38.1, 50.8, 63.5)	2
0.50, 0.75 (12.7, 19.1)	3

Bottom Endwall

Knockout Size Dimensions in Inches (mm)	Quantity
0.50, 0.75 (12.7, 19.1)	6
0.50, 0.75, 1, 1.25 (12.7, 19.1, 25.4, 31.8)	2
1.00, 1.25, 1.50, 2.00, 2.50 (25.4, 31.8, 38.1, 50.8, 63.5)	1
1.00, 1.25, 1.50, 2.00, 2.50, 3.00 (25.4, 31.8, 38.1, 50.8, 63.5, 76.2)	1

Notes

- ① For details regarding quantities, please contact the Technical Resource Center (TRC) at 1-877-ETN-CARE.
- ② Use when DS H1 Type 1, 1.25 and 1.50-inch hubs are needed.
- ③ RH hubs are to be used for Top Endwall (Stucco) endwalls.

4.2

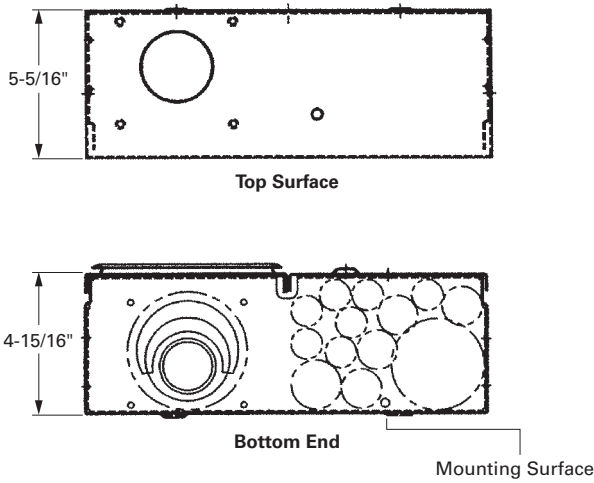
Metering Products

Meter Breakers

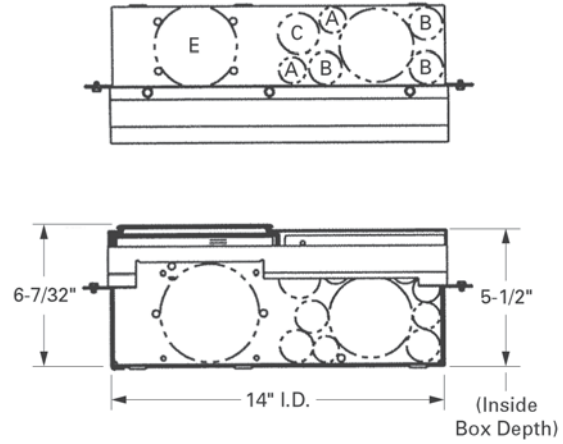
4

Approximate Dimensions in Inches (mm)

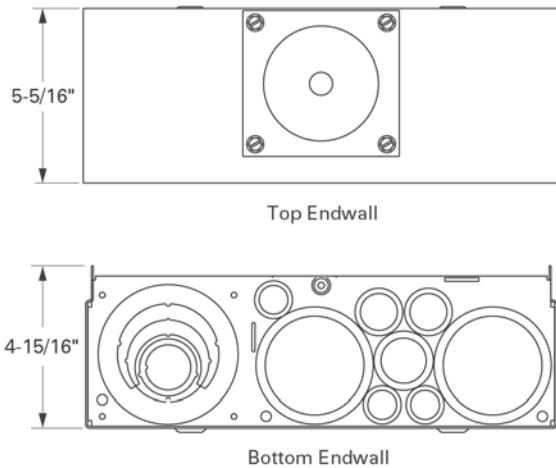
Knockout Configurations and Dimensions for Catalog Numbers MBER48B200BTS and CMBER88B200BTS



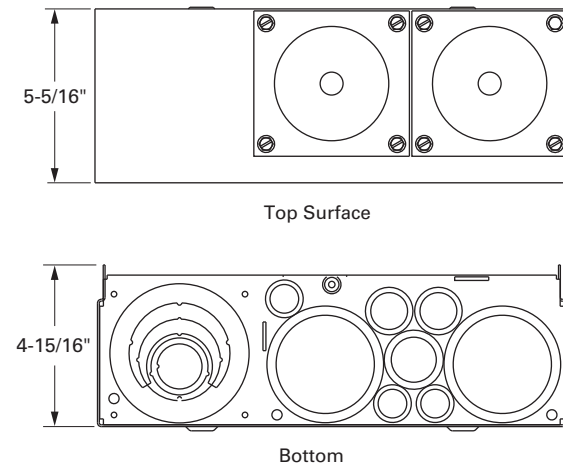
Semi-Flush Stucco Unit Knockout Configurations and Dimensions for MBE2040B200BTS, MBE2040B225BTS, MBE2040B200BTF and MBE2040B225BTF



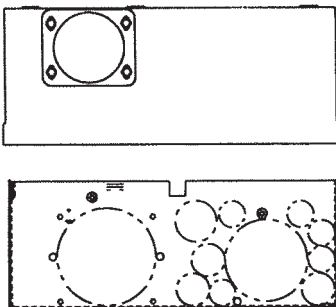
Knockout Configurations and Dimensions for Catalog Numbers CMBXP200BTS, CMBXB200BTS, CMBX1212P200BTS and CMBX3242P200BTS, CMBX3242B200BTS, CMBX1212B200BTS



Knockout Configurations and Dimensions for Catalog Numbers MBT48B125BTS, MBT48B150BTS, MBT48B200BTS and MBT48P200BTS

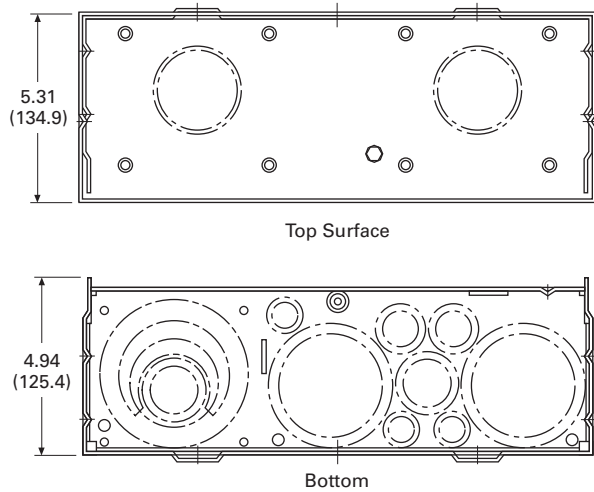


Surface Unit Knockout Configurations and Dimensions for MBE2040B200BTS, MBE2040B225BTS, MBE2040B200BTF and MBE2040B225BTF

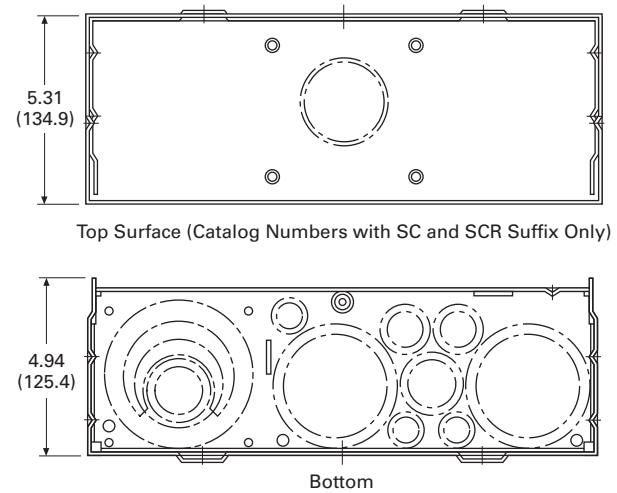


Approximate Dimensions in Inches (mm)

Knockouts for Non-EUSERC Units Catalog Numbers—
MBB150BTS, MBB200BTS, MBP200BTS, MB816P200BTS,
MB816P200BTSCU, MB816P200BTSD, MB816B200BTS,
MB816B200BTSCU, MB2040P200BTS, MB2040B200BTS,
MBP200BTSD, MBP200SD, MB816P200STD,
MB2040B150SD, MB2040B200SD and MB2040P200SD



Knockouts for Non-EUSERC Units Catalog Numbers—
CMB2424B200BTS, MBB150BTSCR, MBB200BTSCR,
MBB150BTSC, MBB200BTSC and CMB2436B200BTS



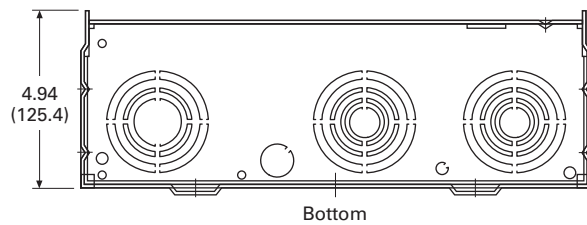
Top Endwall (Surface)

Hub Provision Catalog Number	Quantity
DS100H2	①
DS125H2	①
DS150H2	①
DS200H2	①
DS250H2	①
DS300H2	①
DS900AP (Adapter Plate) ②	①

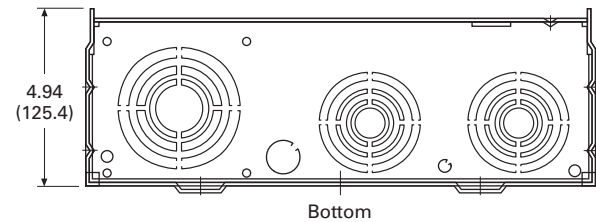
Bottom Endwall

Knockout Size Dimensions in Inches (mm)	Quantity
0.31 (7.9)	3
0.50 (12.7)	3
0.50, 0.75 (12.7, 19.1)	2
0.75, 1.00 (12.7, 25.4)	1
1.25, 1.50, 2.00, 2.50 (19.1, 38.1, 50.8, 63.5)	2
1.50, 2.00, 2.50, 3.00 (38.1, 50.8, 63.5, 76.2)	1

Knockouts for Non-EUSERC Units Catalog Number—
CHMMB100BTS



Knockouts for Non-EUSERC Units Catalog Numbers—
CHMMB150BTS and CHMMB200BTS



Bottom Endwall

Knockout Size Dimensions in Inches (mm)	Quantity
0.31 (7.9)	1
0.50 (12.7)	1
0.50, 0.75, 1.00, 1.25, 1.50, 2.00, 2.50 (12.7, 19.1, 25.4, 31.8, 38.1, 50.8, 63.5)	2
1.00, 1.25, 1.50, 2.00, 2.50 (25.4, 31.8, 38.1, 50.8, 63.5)	1

Bottom Endwall

Knockout Size Dimensions in Inches (mm)	Quantity
0.31 (7.9)	1
0.50 (12.7)	1
0.50, 0.75, 1.00, 1.25, 1.50, 2.00, 2.50 (12.7, 19.1, 25.4, 31.8, 38.1, 50.8, 63.5)	2
1.00, 1.25, 1.50, 2.00, 2.50, 3.00 (25.4, 31.8, 38.1, 50.8, 63.5, 76.2)	1

Notes

- ① For details regarding quantities, please contact the Technical Resource Center (TRC) at 1-877-ETN-CARE.
- ② Use when DS H1 Type 1, 1.25 and 1.50-inch hubs are needed.

Systems for Residential and Commercial Applications



Systems for Residential and Commercial Applications

Product Description

Group metering is a service entrance product line that consists of a main device and multiple meter sockets in one enclosure or several connected enclosures. Group metering allows the customer to install a multiple tenant-metering device in one location while providing a space and installation cost savings.

Application Description

Eaton’s Electrical Sector offers two group metering designs—Meter Packs and Gangable Metering. Meter Packs, also called All-in-Ones, consist of main lugs and up to six meter sockets in one enclosure. Meter Packs are supplied as one complete unit and the user cannot “add” additional meter sockets to the unit in the future. The most common application for Meter Packs is garden apartments, small condominiums and townhouses where six or less units are metered through one centrally located Meter Pack.

Contents

Description

	<i>Page</i>
Systems for Residential and Commercial Applications	
Features, Benefits and Functions	V1-T4-69
Dimensions	V1-T4-75
Meter Packs	V1-T4-76
Meter Packs—Tenant Circuit Breakers	V1-T4-88
Main Service Modules	V1-T4-89
Residential Meter Stacks	V1-T4-108
Commercial Meter Stack Modules	V1-T4-123
35MM, 37MM, 35SS and 37SS Tenant Main Circuit Breakers	V1-T4-130
Phase Balanced Stack	V1-T4-132
Group Metering Inline Current Transformer Cabinets	V1-T4-133
Surge Metering	V1-T4-134
Group Metering Accessories	V1-T4-135

Standards and Certifications

- UL listed



Gangable Metering (Main Service Modules and Meter Stacks)

The second type of group metering is Gangable Metering, which consists of a Main Service Module used in conjunction with a Meter Stack to make a custom metering lineup. The Main Service Module can be main lug, main circuit breaker, main fusible switch or bolted pressure switch. The Meter Stack is offered with various meter sockets and bus ratings. This type of custom lineup allows the owner to add/remove meter sockets and main devices to meet future need. Gangable Metering is often used in large condominiums, strip malls and light commercial applications where more than six units are metered, or there will be a future need to add more units.

Features, Benefits and Functions

Bypass Mechanisms

Cotter Pin



Eaton’s metering socket for 1MP, 1MM, 3MM metering devices employ cotter pins on the front and back of the socket jaws for increased durability during performed maintenance on the meters. This component uses jaws on both sides of the base eliminating the need for self-tapping screw connections to vertical busbars.

Horn and Manual Bypass



With an increasing demand for uninterrupted power, Eaton’s series of 1MP, 1MM and 3MM meter sockets offer horn (ringless style) and manual (ring style) field-installable bypass accessories. These accessories provide uninterrupted tenant service if a meter is pulled for inspection or replacement.

Horn bypass kits are compatible with ring-less meter sockets for type MB and CMB units and are ANSI/UL Listed.

Lever Bypass



Due to commercial requirements, Eaton offers a lever bypass (as standard) on all 35MM and 37MM devices. Each socket base consists of a lever bypass, which also releases the jaws (when lever is engaged in bypass position), enabling utility company mechanics to easily remove and/or insert utility meter.

Test Bypass Disconnects



Eaton also provides commercial meter stacks with EUSERC required test-bypass disconnects (35SS and 37SS). This bypass is used in the same applications as the lever bypass and it is required by EUSERC utilities.

Busing and Meter Socket Field Phase Balancing



Due to popular incoming three-phase voltage systems and single-phase outgoing loads, installers have the option to field phase balance on the individual stack (A-B, B-C, A-C). This feature eliminates the chance of installing an incorrectly phased device due to its versatility.

One-Piece Vertical Busbar



Eaton’s series of 1MP, 1MM, 3MM meter stacks embody a one-piece busbar construction to each socket, as well as a one-piece cross bus to each tenant main. Because the Eaton design uses the Clip-Tight meter socket and does not have busbar joints, the chance of hot spots occurring is virtually eliminated.

Mounting and Security

Main Tenant Breaker Cover



Each tenant circuit breaker is protected by a lockable raintight cover that secures the breaker against unauthorized operation. The tenant breaker cover is a high impact plastic to resist wear, rusting and corrosion.

Mounting Features



A standard mounting rail and factory-installed swing away feet speed up and simplify installation.

General

When tenant breakers are installed in Eaton’s metering modules per the short-circuit current ratings below, the branch breakers installed in downstream panel rated 10 kAIC or greater are protected to the listed series AIC rating. Refer to the downstream panel marking for the proper series combination short-circuit ratings. These ratings apply to both loadcenter Types BR and CH.

The short-circuit rating is limited to the lowest interrupting rating of any tenant breaker installed or to the lowest marked interrupting rating of the main switch, main breaker or main lug modules.

Replacement or additional breakers shall be of the same type and manufacturer, and shall have an interrupting rating equal to or greater than the interrupting rating of any tenant breaker presently installed in the meter module.

1MM, 3MM 125 A Meter Module

When used with main switch, main breaker or main lug modules, this meter module is UL listed for the short-circuit rating at 240 Vac maximum in rms symmetrical amperes per table below.

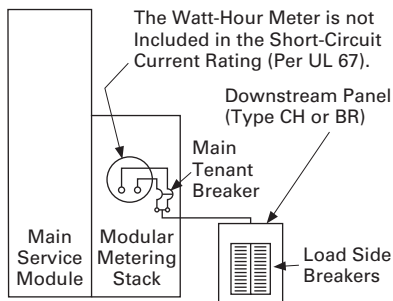
1MM, 3MM 125 A Meter Module

Tenant Breaker Catalog Number Two-Pole	Amperes Maximum	UL Listed Series Short-Circuit Rating
BRX_____	125	65 kAIC
BRHH_____	125	42 kAIC
BRH_____	125	22 kAIC
BR_____	125	10 kAIC

When Type BRX, BRHH or BRH tenant breakers are installed in this meter module, then breakers rated 10 kAIC or greater installed on the load side of this meter module may be protected for short circuits up to 22 kAIC with Type BRH breakers, 42 kAIC with Type BRHH or 65 kAIC with Type BRX breakers.

See load side breaker panel marking for proper short-circuit current rating.

1MM, 3MM 125 A Meter Module



1MM, 3MM, 200 A Meter Modules; 35MM, 37MM, 35SS and 37SS 225 A Meter Modules

When used with main switch, main breaker or main lug modules, these meter modules are UL listed for the short-circuit rating at 240 Vac maximum in rms symmetrical amperes per table below.

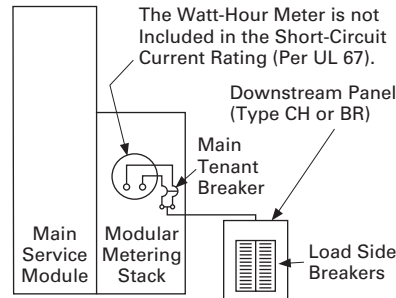
1MM, 3MM, 200 A Meter Modules; 35MM, 37MM, 35SS and 37SS 225 A Meter Modules

Tenant Breaker Catalog Number Two- or Three-Pole	Amperes Maximum		
	1MM 3MM 200 A	35MM, 37MM, 35SS, 37SS 225 A	UL Listed Series Short-Circuit Rating
CVH_XMM	200	225	100 kAIC
CV_XMM	200	225	65 kAIC
CVS_XMM	200	225	42 kAIC
CCVH_X	200	225	25 kAIC
CCV_X	200	225	10 kAIC
CC_X	200	225	10 kAIC

When Type CV tenant breakers are installed in these meter modules, then Eaton’s breakers rated 10 kAIC or greater installed on the load side of these meter modules may be protected for short circuits up to 100 kAIC.

See load side breaker panel marking for proper short-circuit current rating.

1MM, 3MM, 200 A Meter Modules; 35MM, 37MM, 35SS and 37SS 225 A Meter Modules



1MP 125 A Meter Module

This All-in-One Meter Module is UL listed for the short-circuit rating at 240 Vac maximum in rms symmetrical amperes per table below.

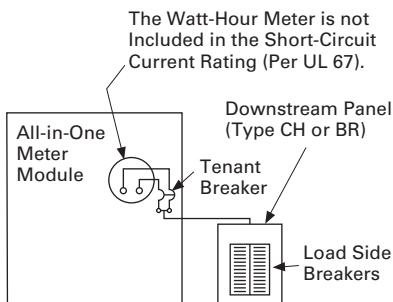
1MP 125 A Meter Module

Tenant Breaker Catalog Number Two-Pole	Maximum Ampere Rating	UL Listed Series Short-Circuit Rating
BRX_____	125	65 kAIC
BRHH_____	125	42 kAIC
BRH_____	125	22 kAIC
BR_____	125	10 kAIC

When Type BRX, BRHH or BRH tenant breakers are installed in this meter module, then Eaton’s breakers rated 10 kAIC or greater installed on the load side of this meter module may be protected for short circuits up to 22 kAIC with Type BRH breakers, 42 kAIC with Type BRHH or 65 kAIC with Type BRX breakers.

See load side breaker panel marking for proper short-circuit current rating.

1MP 125 A Meter Module



Note: The ratings for both 125 and 200 A tenant positions apply to both Type BR and CH loadcenters and 10 kAIC branch breakers.

1MP 200 A Meter Module

This All-in-One Meter Module is UL listed for the short-circuit rating at 240 Vac maximum in rms symmetrical amperes per table below.

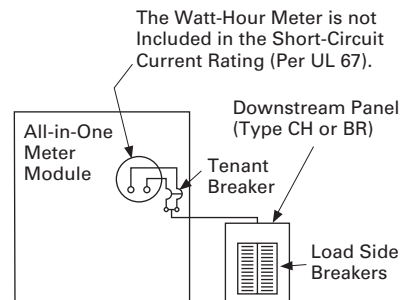
1MP 200 A Meter Module

Tenant Breaker Catalog Number Two- or Three-Pole	Maximum Ampere Rating	UL Listed Series Short-Circuit Rating
CVH_XMM	200	100 kAIC
CV_XMM	200	65 kAIC
CVS_XMM	200	42 kAIC
CCVH_XMM	200	25 kAIC
CCV_X	200	10 kAIC

When Type CV tenant breakers are installed in this meter module, then breakers rated 10 kAIC or greater installed on the load side of this meter module may be protected for short circuits up to 100 kAIC.

See load side breaker panel marking for proper short-circuit current rating.

1MP 200 A Meter Module



Ratings

- A. The assembly shall be rated to withstand mechanical forces exerted during short-circuit conditions when connected directly to a power source having available fault current [22,000] [42,000] [65,000] [100,000] amperes symmetrical at rated voltage.
- C. All hardware used for busbar connections shall be high-tensile strength, zinc-plated. Provide Belleville-type spring washers for all bus joints.
- D. Circuit breakers [250-] [400-] [600-] [1200-] ampere frame and below shall be manufactured by Eaton with thermal-magnetic or electronic trip units having inverse time-current characteristics.

Construction

- A. The entire assembly shall be front accessible and shall include [main lugs] [a main disconnect device].
- B. Tenant disconnects shall be wired for cold sequence and shall be molded case circuit breakers.
- C. The meter sockets shall be (ring-) (ringless-) type rated (125 A) (200 A) (as shown on the plans) and a bypass (shall be) (shall not be) required. If required, the bypass shall be a (slider-) (horn-) (lever-) (disconnect block-) type. The meter sockets and associated branch protective device positions shall be completely prewired and shipped ready for installation of the meters and tenant main breakers. Meter sockets shall include covers with sealing positions.

Bus

- A. All busbars shall be [tin-plated aluminum or copper]. Main horizontal busbars shall be mounted with all three phases arranged in the same vertical plane. Bus sizing shall be based on UL standard temperature rise criteria for multiple metering equipment.
- B. Provide a full capacity neutral bus where a neutral bus is indicated on the drawings.

Wiring/Terminations

- A. [Mechanical-type terminals] [Crimp-type termination provisions] shall be provided for all line terminations suitable for copper or aluminum cable and rated at 75 °C.
- B. Lugs shall be provided in the incoming line section for connection of the main grounding conductor.

Main Circuit Protective Devices

- A. Main protective devices shall be [molded case circuit breakers] [bolted pressure switches] [quick-make/quick-break fusible switches].

Molded Case Circuit Breakers

- A. [Main] [Feeder] [All] protective devices shall be molded case circuit breakers with inverse time and instantaneous tripping characteristics.
- B. Circuit breakers shall be operated by a toggle-type handle and shall have a quick-make/quick-break over-center switching mechanism that is mechanically trip-free. Automatic tripping of the breaker shall be clearly indicated by the handle position. Contacts shall be nonwelding silver alloy and arc extension shall be accomplished by means of DE-ION® arc chutes.
- C. Circuit breakers shall have a minimum symmetrical interrupting capacity as indicated on the drawings.

Bolted Pressure Switches

- A. Main protective devices shall be bolted pressure contact type and shall be UL listed.
- B. Fusible switches shall be furnished with Class L fuse clips. Switch contact interrupting capacity shall be 12 times the continuous rating of the switch.
- C. Fuse access door s shall be mechanically interlocked with the operating handle and shall have provisions for padlocking the switch in the OPEN position.
- D. The switch shall use a stored energy deadfront operating mechanism compressed and released by the operating handle, to provide quick positive switching action, independent of the operating handle.
- E. Switches shall be manually operated.

Quick-Make/Quick-Break Fusible Switches

- A. Fusible switches 30 A through 1200 A frames shall be furnished with 300 V Class T-type fuse clips unless otherwise scheduled.
- B. Switches shall incorporate safety cover interlocks to prevent opening the cover with the switch in the ON position.
- C. Provide defeater for authorized personnel.

- D. Handles shall have provisions for padlocking and shall clearly indicate the ON or OFF position.
- E. Front cover doors shall be padlockable in the CLOSED position.
- F. Main protective devices shall be quick-make/quick-break fusible switches as manufactured by Eaton.

Tenant Utility Metering

- A. For EUSERC serviced areas, meter centers shall incorporate metering sections with tenant feeder circuits using ring-type meter sockets rated [125] [200] amperes to meet local utility and/or customer requirements.
- B. The self-contained meter sockets shall include a test bypass/disconnect block per EUSERC requirements,
 - OR –
- A. For non-EUSERC serviced areas, meter centers shall incorporate metering sections with tenant feeder circuits using [ring-] [ringless-] type meter sockets rated [125] [200] [320] amperes to meet local utility or customer requirements. Provide meter sockets with individual covers having sealing provisions.
- B. Meter sockets shall have manual bypass and optional internal barriers.

Enclosures

- A. NEMA 1 Enclosure
 - OR –
- A. Outdoor NEMA 3R Surface-Mounted Enclosure

Finish

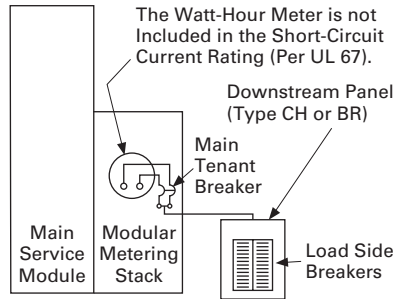
- A. Boxes and trims shall be bonderized and finished with ANSI 61 light gray enamel.

Series Combination Short-Circuit Ratings

When main tenant breakers are installed in Eaton’s modular metering stack, the branch breakers installed in downstream panel rated 10 kAIC or greater are protected to the listed series AIC rating. Refer to the downstream panel marking for the proper series combination short-circuit ratings.

Replacement or additional breakers shall be of the same manufacture and type, and shall have an interrupting rating equal to or greater than the interrupting rating of any main tenant breaker installed.

Series Combination Short-Circuit Ratings

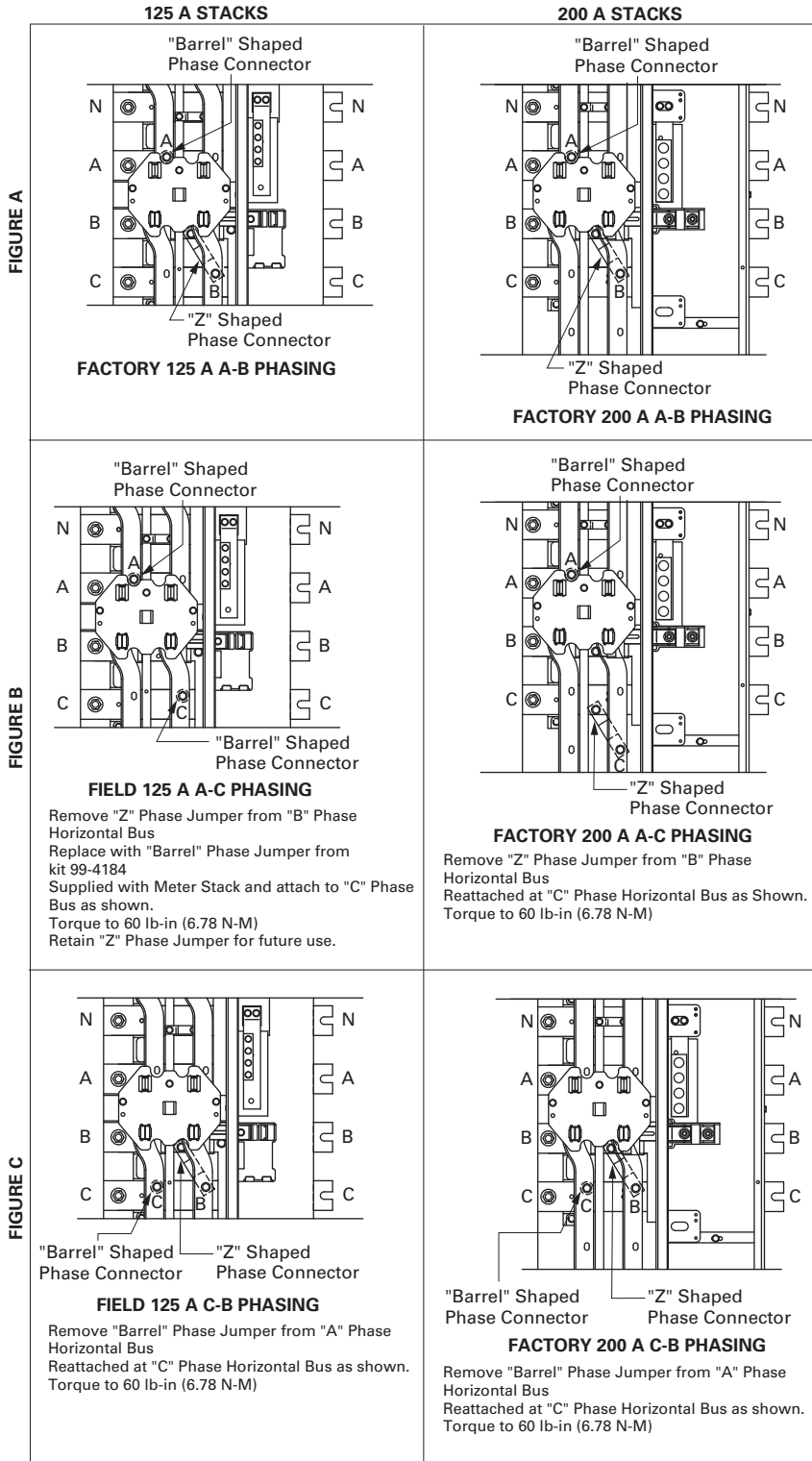


Series Combination Short-Circuit Ratings—240 Vac

Main Module Overcurrent Device Breaker Type or Class Fuse	System AIC Rating 120/240 Vac Maximum	Meter Module Tenant Feeder Breaker Type 1MM, 3MM, 35MM, 37MM, 35SS, 37SS or Loadcenter Main Breaker	Tenant Feeder Breaker Short-Circuit Rating	Loadcenter Branch Breaker (Single-, Two- or Three-Pole)
None	10,000	None	—	BD, BR, BRD, BQ, BQC, BRCAF, GFTCB
Without main disconnect. Cable tap box Type 1MTB_, 3MTB_	10,000	BR, CC, BW, CCV	10,000	
	22,000	BRH	22,000	
Main switch module, Type 1MFS, 3MFS and 1BPS, 3BPS	25,000	CSR, CCVH	25,000	
	42,000	BRHH, CVS	42,000	
Main breaker module, Type 1MCB, 3MCB	65,000	BRX, CV, KD, HKD	65,000	
	100,000	CVH, KDC	100,000	
Without main disconnect. Cable tap box Type 1MTB_, 3MTB_	10,000	BR, CC, BW, CCV	10,000	BD, BR, BRD, BQ, BQC, CH, CHT, BRCAF, CHFCAF, CHF, CH-GFCI, GFTCB
	22,000	BRH	22,000	
Main switch module, Type 1MFS, 3MFS and 1BPS, 3BPS	25,000	CSR, CCVH	25,000	
	42,000	BRHH, CVS	42,000	
Main breaker module, Type 1MCB, 3MCB	65,000	BRX, CV, KD, HKD	65,000	
Main breaker module Type 1MCB_, 3MCB_ 2000 A maximum	65,000	BRHX	22,000	BR, BRAFGF
Main switch module Type 1MFS_, 3MFS_ with Class T fuse, 600 A maximum	100,000	BRH	22,000	BD, BR, BRD, BQ, BQC, GFCB, GFTCB
Main switch module Type 1MFS_, 3MFS_ with Class T fuse, 1200 A maximum	100,000	BRHH	42,000	BD, BR, BRD, BQ, BQC, CH, CHT, BRCAF, CHFCAF, CHF, GFTCB

Phase Balancing

4

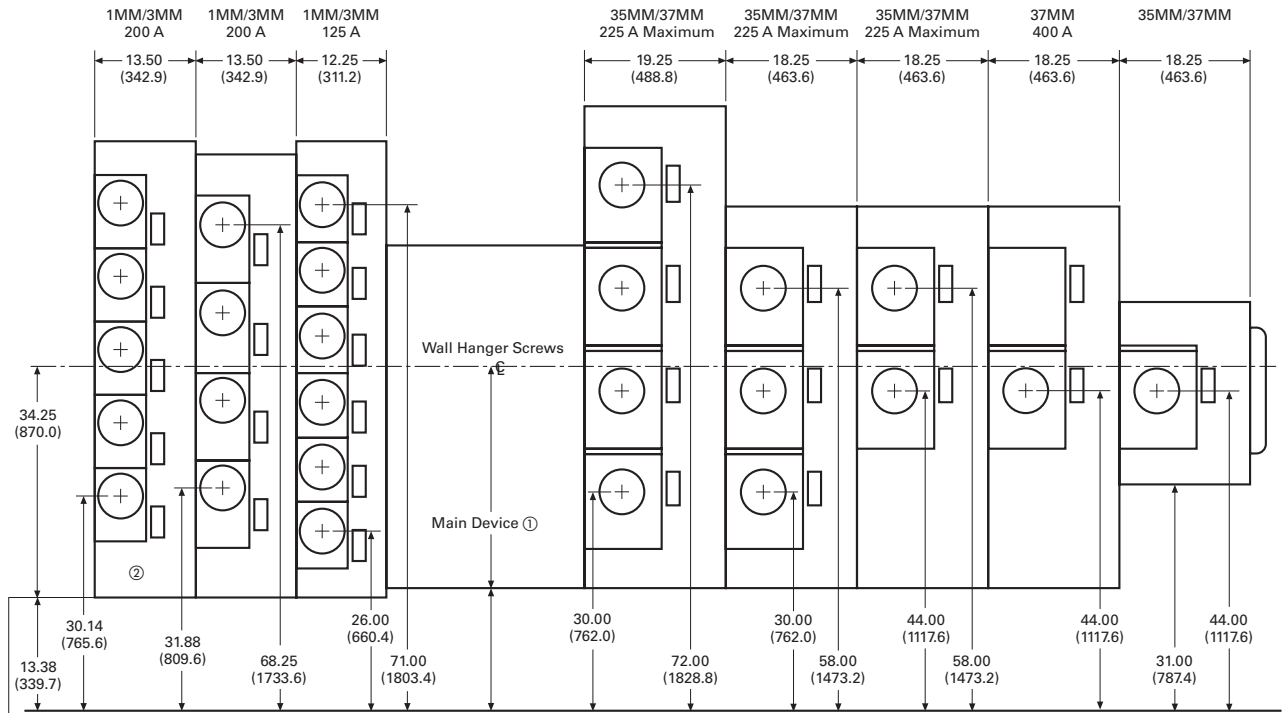


Dimensions

Approximate Dimensions in Inches (mm)

General Layout

Minimum and maximum height of single-phase and three-phase meter sockets above typical ground level.



Typical Height Above Ground or Floor Level

Mounting Features



Mounting Features

A standard mounting rail and factory-installed swing away feet, speed up and simplify installation.

Notes

- ① Not a constant value. Dimension changes depending on main device chosen. See **Page V1-T4-103** for specific dimensions.
- ② Residential device.

Meter Pack



4

Contents

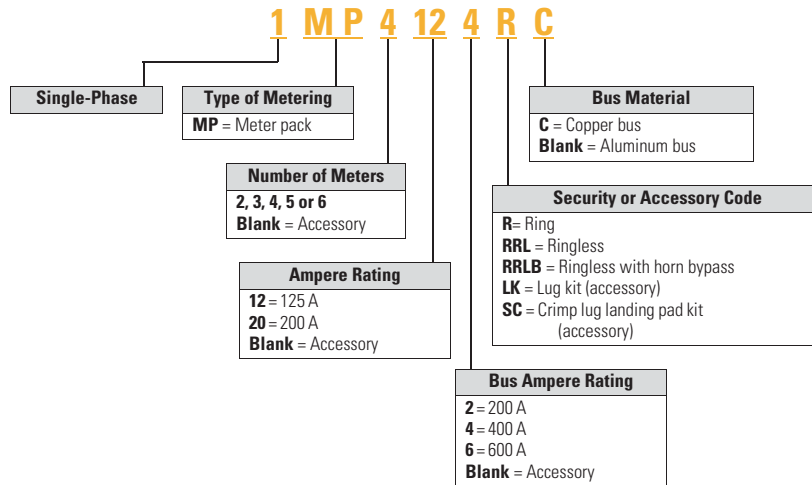
Description	Page
Systems for Residential and Commercial Applications	V1-T4-68
Meter Packs	
Catalog Number Selection	V1-T4-77
Product Selection	V1-T4-78
Dimensions and Knockouts	V1-T4-80
Meter Packs—Tenant Circuit Breakers	V1-T4-88
Main Service Modules	V1-T4-89
Residential Meter Stacks	V1-T4-108
Commercial Meter Stack Modules	V1-T4-123
35MM, 37MM, 35SS and 37SS Tenant Main Circuit Breakers	V1-T4-130
Phase Balanced Stack	V1-T4-132
Group Metering Inline Current Transformer Cabinets	V1-T4-133
Surge Metering	V1-T4-134
Group Metering Accessories	V1-T4-135

Meter Packs

Product Overview

- Eaton's 1MP units are self-contained (main terminal box included) for installations requiring up to six meter socket positions in a single enclosure
- Units are not gangable with any other metering device
- Approved by major power companies, UL listed, suitable as service equipment and meet the service and electrical requirements of EUSERC and CECHA
- Series rating up to 100 kAIC
- All ringless cover devices include fifth jaw as standard
- Ring type devices do not include fifth jaw as standard. Order 1MM5JK if needed
- Bondable neutral
- 120/240 Vac, single-phase three-wire metering device
- Up to 600 A maximum horizontal bus rating
- Incoming lugs not included (phase A, phase B and neutral)
- Indoor/outdoor construction
- Provision for two-pole breaker (plug-on type for 125 A sockets and bolt-on type for 200 A sockets)—circuit breakers not included
- Underground feed incoming standard with overhead feed available on select hubs
- Aluminum or copper bus

Catalog Number Selection



When Ordering:

1. Determine catalog number of the basic device.
2. Include Lug Kit for incoming section. See **Page V1-T4-141**.
3. Find quantity and catalog numbers for tenant circuit breakers. (Order one breaker per socket.) See **Page V1-T4-141**.
4. Select required accessories. See **Page V1-T4-136**.

Product Selection

Meter Packs

Aluminum Bus—Main Lugs Not Included—See Page V1-T4-141

Socket Ampere Rating	Number of Meter Sockets	Bus Ampere Rating	Main Tenant Breaker Type (See Page V1-T4-141)	Catalog Number	Semi-Flush Flange Kit Catalog Number
Ring Style Meter Socket Covers ^{①②}					
125 ^③	2 ^⑤	200	Plug-on type BR2_	1MP2122R ^{⑥⑦}	1MP5FK1
125 ^③	3	400	BRH2_	1MP3124R ^⑨	1MP5FK2
125 ^③	4	400	BRHX2_	1MP4124R ^⑨	1MP5FK2
125 ^③	5 ^⑤	600	BRHH2_	1MP5126R ^⑨	1MP5FK3
125 ^③	6 ^⑤	600	BRX2_	1MP6126R ^⑨	1MP5FK3
200 ^④	2	400	Bolt-on type CCV2_X	1MP2204R ^⑨	1MP5FK4
200 ^④	3	600	CCVH2_X	1MP3206R ^⑨	1MP5FK5
200 ^④	4	600	CVS2_XMM	1MP4206R ^⑨	1MP5FK5
200 ^④	5	600	CV2_XMM	1MP5206R ^⑨	1MP5FK6
200 ^④	6	600	CVH2_XMM	1MP6206R ^⑨	1MP5FK6
Ringless Style Meter Socket Covers ^⑧					
125	2	200	Plug-on type BR2_	1MP2122RRL ^{⑥⑦}	1MP5FK1
125	3	400	BRH2_	1MP3124RRL ^⑨	1MP5FK2
125	4	400	BRHX2_	1MP4124RRL ^⑨	1MP5FK2
125	5	600	BRHH2_	1MP5126RRL ^⑨	1MP5FK3
125	6	600	BRX2_	1MP6126RRL ^⑨	1MP5FK3
200	2	400	Bolt-on type CCV2_X	1MP2204RRL ^⑨	1MP5FK4
200	3	600	CCVH2_X	1MP3206RRL ^⑨	1MP5FK5
200	4	600	CVS2_XMM	1MP4206RRL ^⑨	1MP5FK5
200	5	600	CV2_XMM	1MP5206RRL ^⑨	1MP5FK6
200	6	600	CVH2_XMM	1MP6206RRL ^⑨	1MP5FK6
Ringless Style Covers with Horn Bypass ^⑩					
125	2	200	Plug-on type BR2_	1MP2122RRLB ^{⑥⑦}	1MP5FK1
125	3	400	BRH2_	1MP3124RRLB ^{⑨⑩}	1MP5FK2
125	4	400	BRHX2_	1MP4124RRLB ^{⑨⑩}	1MP5FK2
125	5	600	BRHH2_	1MP5126RRLB ^{⑨⑩}	1MP5FK3
125	6	600	BRX2_	1MP6126RRLB ^{⑨⑩}	1MP5FK3
200	2	400	Bolt-on type CCV2_X	1MP2204RRLB ^{⑨⑩}	1MP5FK4
200	3	600	CCVH2_X	1MP3206RRLB ^{⑨⑩}	1MP5FK5
200	4	600	CVS2_XMM	1MP4206RRLB ^{⑨⑩}	1MP5FK5
200	5	600	CV2_XMM	1MP5206RRLB ^{⑨⑩}	1MP5FK6
200	6	600	CVH2_XMM	1MP6206RRLB ^{⑨⑩}	1MP5FK6

Notes

- ① Ring Style Meter Packs do not come with fifth jaw. Order **1MM5JK** if needed.
- ② Reference drawing EUSERC DWG-342, G1.
- ③ To change in field from ring to ringless—order **1MMRC125**.
- ④ To change in field from ring to ringless—order **1MMRC200**.
- ⑤ To change from ring to ringless covers, the top socket only in 2, 5 and 6 socket designs—order **1MMRC125T**. Top socket only.
- ⑥ Main lugs included. #6–300 kcmil. (Optional lugs are not available.)
- ⑦ For overhead use, order DS_H2 type hub.
- ⑧ Fifth jaw factory installed at 9 o'clock position.
- ⑨ For overhead use, order DS_MH type hub.
- ⑩ To order with raceway provision in bottom endwall, add "T" suffix to the catalog number. Trough accessory catalog number is **1008934CH**.

See **Page V1-T4-141** for Main Lug Kit selection and Wire Sizes.

Copper Bus—Main Lugs Not Included—See Page V1-T4-141

Socket Ampere Rating	Number of Meter Sockets	Bus Ampere Rating	Main Tenant Breaker Type (See Page V1-T4-141)	Catalog Number	Semi-Flush Flange Kit Catalog Number
Ring Style Meter Socket Covers ^{①②}					
125 ^③	2 ^④	200	Plug-on type BR2_	1MP2122RC ^⑦	1MPSFK1
125 ^③	3	400	BRH2_	1MP3124RC ^⑧	1MPSFK2
125 ^③	4	400	BRHX2_	1MP4124RC ^⑧	1MPSFK2
125 ^③	5 ^⑤	600	BRHH2_	1MP5126RC ^⑧	1MPSFK3
125 ^③	6 ^⑤	600	BRX2_	1MP6126RC ^⑧	1MPSFK3
200 ^④	2	400	Bolt-on type CCV2_X	1MP2204RC ^⑧	1MPSFK4
200 ^④	3	600	CCVH2_X	1MP3206RC ^⑧	1MPSFK5
200 ^④	4	600	CVS2_XMM	1MP4206RC ^⑧	1MPSFK5
200 ^④	5	600	CV2_XMM	1MP5206RC ^⑧	1MPSFK6
200 ^④	6	600	CVH2_XMM	1MP6206RC ^⑧	1MPSFK6
Ringless Style Meter Socket Covers ^⑥					
125	2	200	Plug-on type BR2_	1MP2122RRLC ^⑦	1MPSFK1
125	3	400	BRH2_	1MP3124RRLC ^⑧	1MPSFK2
125	4	400	BRHX2_	1MP4124RRLC ^⑧	1MPSFK2
125	5	600	BRHH2_	1MP5126RRLC ^⑧	1MPSFK3
125	6	600	BRX2_	1MP6126RRLC ^⑧	1MPSFK3
200	2	400	Bolt-on type CCV2_X	1MP2204RRLC ^⑧	1MPSFK4
200	3	600	CCVH2_X	1MP3206RRLC ^⑧	1MPSFK5
200	4	600	CVS2_XMM	1MP4206RRLC ^⑧	1MPSFK5
200	5	600	CV2_XMM	1MP5206RRLC ^⑧	1MPSFK6
200	6	600	CVH2_XMM	1MP6206RRLC ^⑧	1MPSFK6
Ringless Style Covers with Horn Bypass ^⑥					
125	2	200	Plug-on type BR2_	1MP2122RRLBC ^⑦	1MPSFK1
125	3	400	BRH2_	1MP3124RRLBC ^⑧	1MPSFK2
125	4	400	BRHX2_	1MP4124RRLBC ^⑧	1MPSFK2
125	5	600	BRHH2_	1MP5126RRLBC ^⑧	1MPSFK3
125	6	600	BRX2_	1MP6126RRLBC ^⑧	1MPSFK3
200	2	400	Bolt-on type CCV2_X	1MP2204RRLBC ^⑧	1MPSFK4
200	3	600	CCVH2_X	1MP3206RRLBC ^⑧	1MPSFK5
200	4	600	CVS2_XMM	1MP4206RRLBC ^⑧	1MPSFK5
200	5	600	CV2_XMM	1MP5206RRLBC ^⑧	1MPSFK6
200	6	600	CVH2_XMM	1MP6206RRLBC ^⑧	1MPSFK6

Notes

- ① Ring Style Meter Packs do not come with fifth jaw. Order **1MM5JK** if needed.
- ② Reference drawing EUSERC DWG-342, G1.
- ③ To change in field from ring to ringless—order **1MMRC125**.
- ④ To change in field from ring to ringless—order **1MMRC200**.
- ⑤ To change in field from ring to ringless covers, the top socket only in 5 to 6 socket design—order **1MMRC125T**. Top socket only—other sockets see ③.
- ⑥ Fifth jaw factory installed at 9 o'clock position.
- ⑦ For overhead use, order DS_H2 type hub.
- ⑧ For overhead use, order DS_MH type hub.

4.3

Metering Products

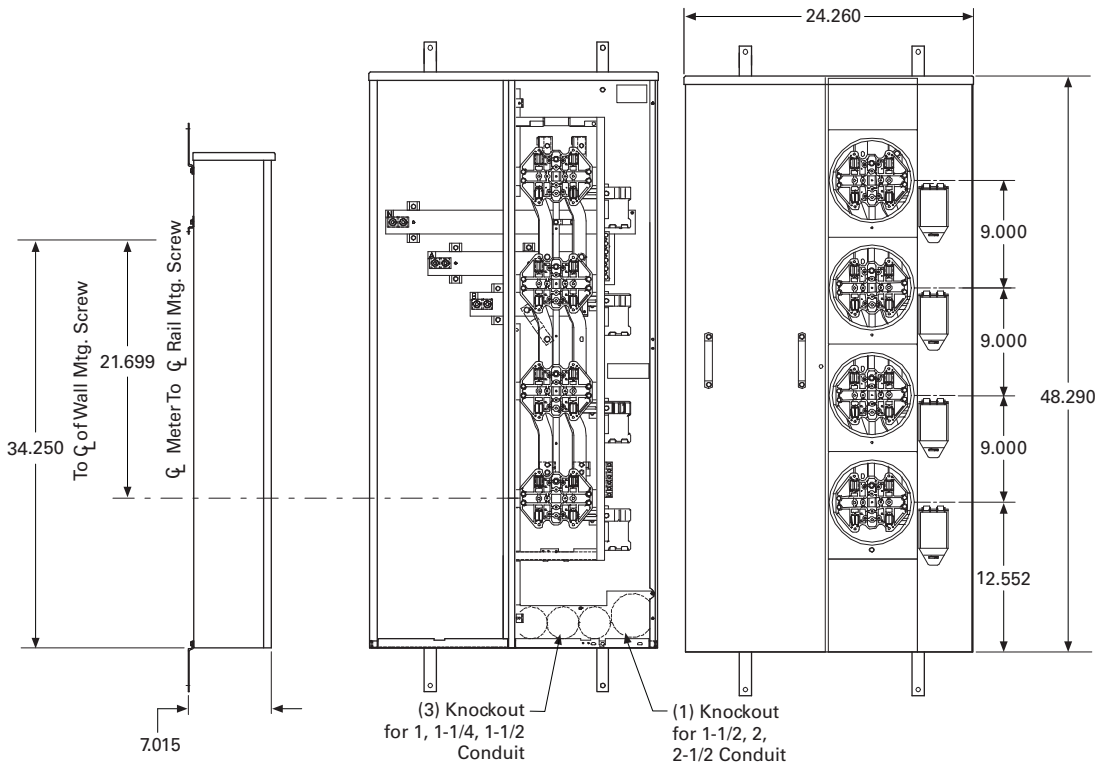
Group Metering

Dimensions and Knockouts

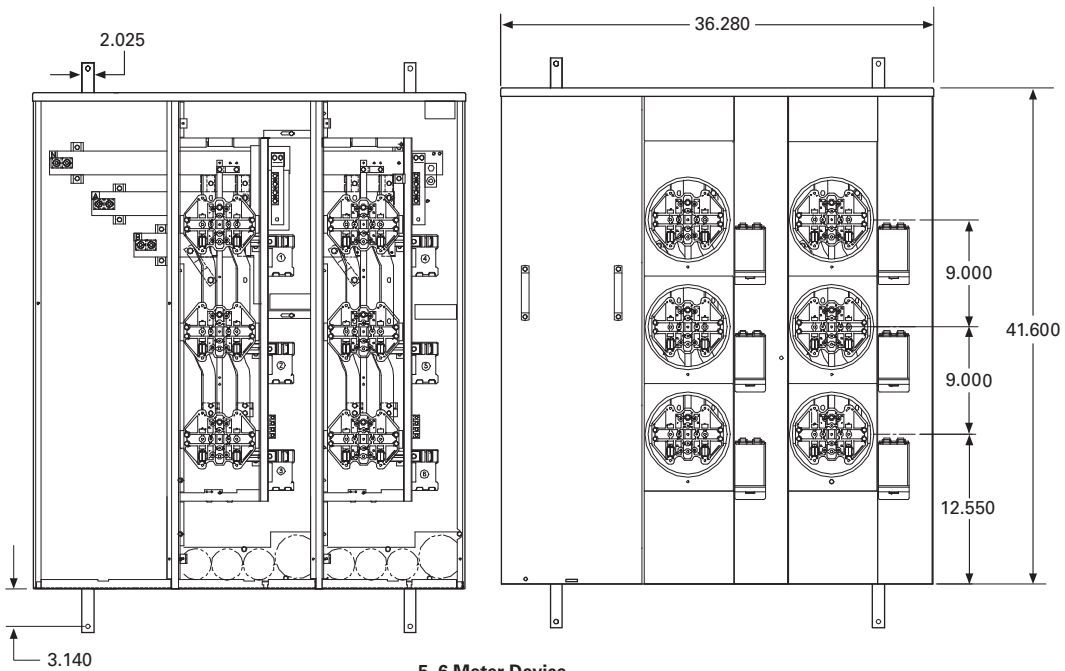
Approximate Dimensions in Inches (mm)

1MP, 125 Ampere Meter Packs—Aluminum and Copper Bus (1 of 2)

4



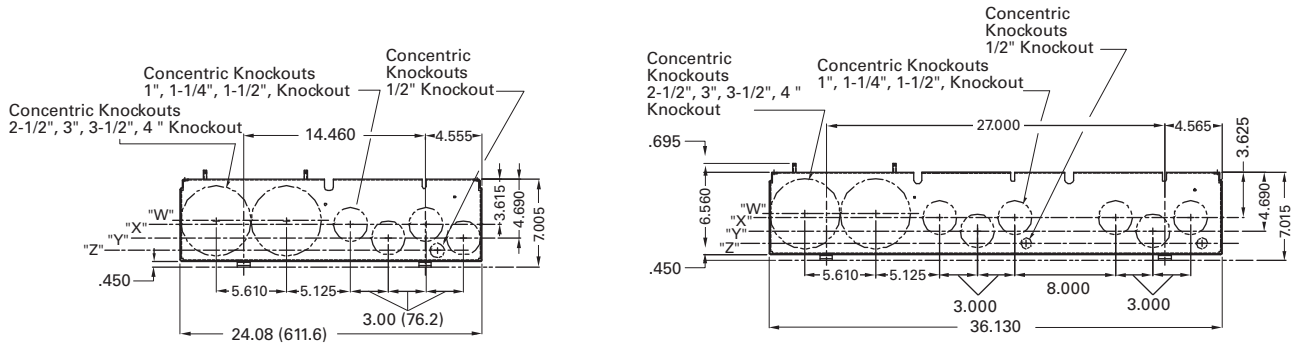
3, 4 Meter Device



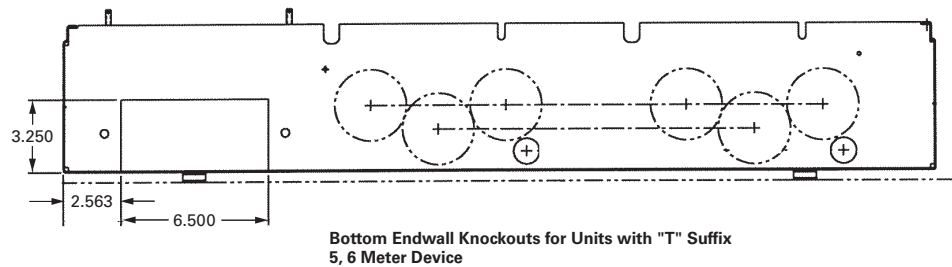
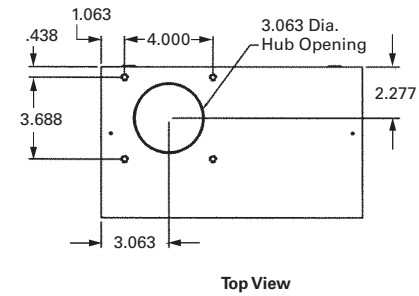
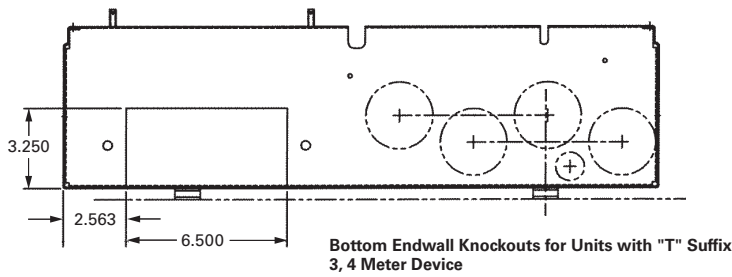
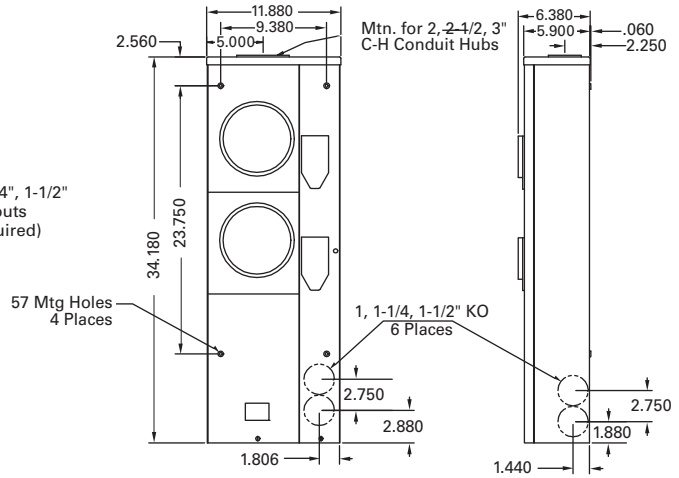
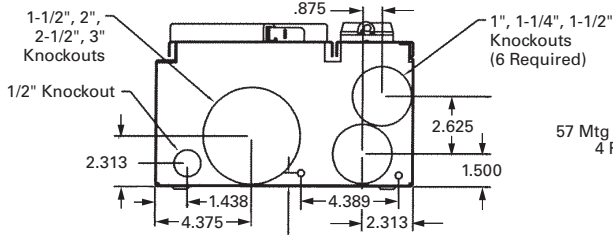
5, 6 Meter Device

Approximate Dimensions in Inches (mm)

1MP, 125 Ampere Meter Packs—Aluminum and Copper Bus (2 of 2)



"Z" = C of 1/2" Ring
 "Y" = C of 1-1/2" Ring
 "X" = C of 1-1/2" Ring
 "W" = C of 4" Ring



4.3

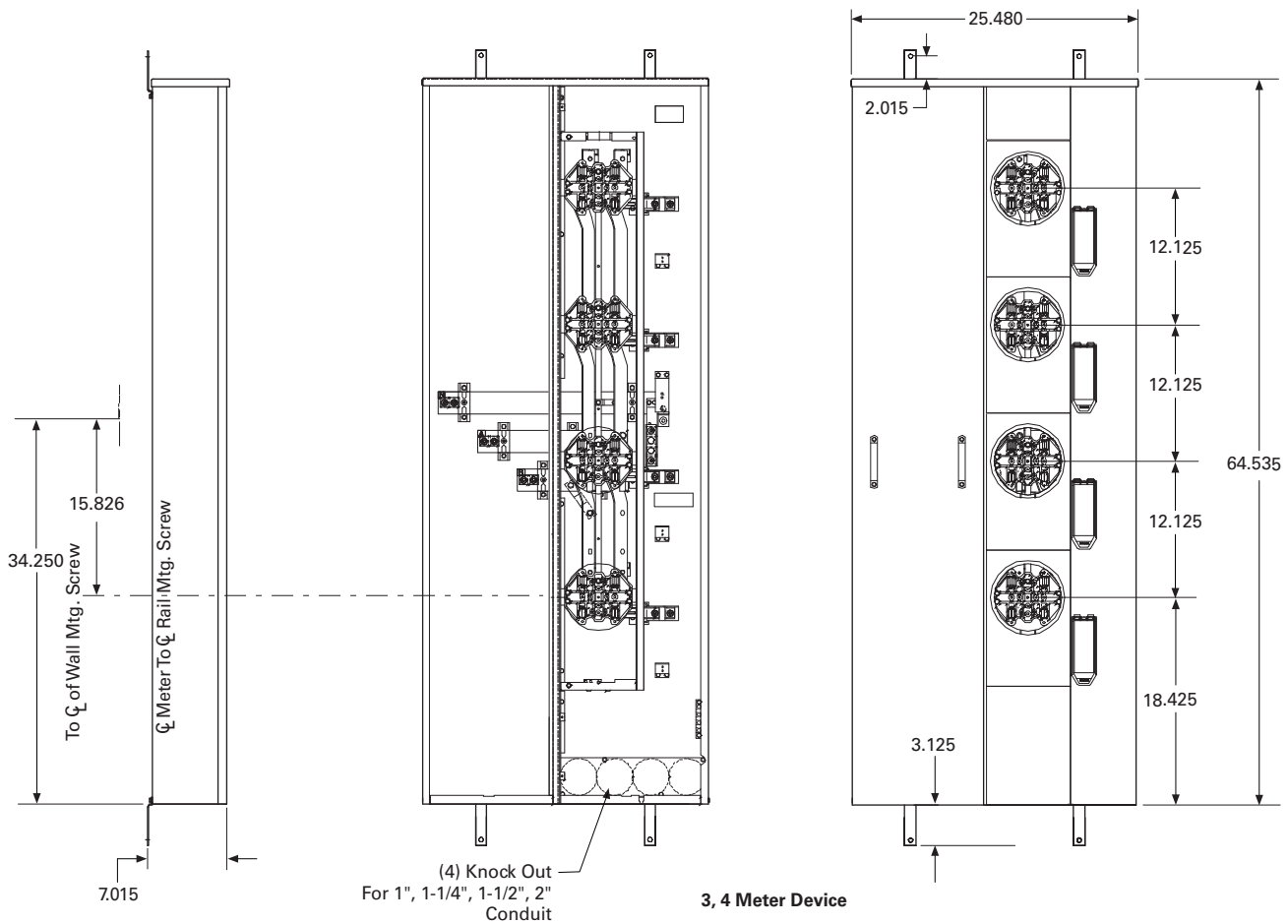
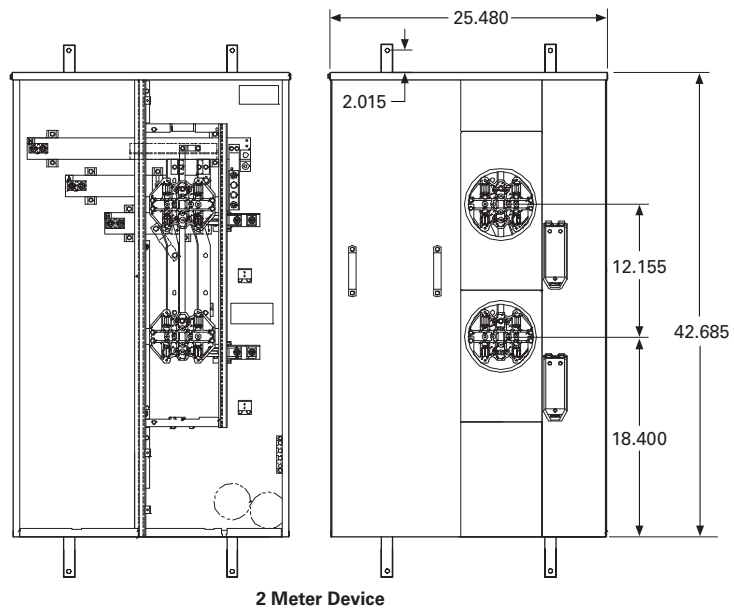
Metering Products

Group Metering

Approximate Dimensions in Inches (mm)

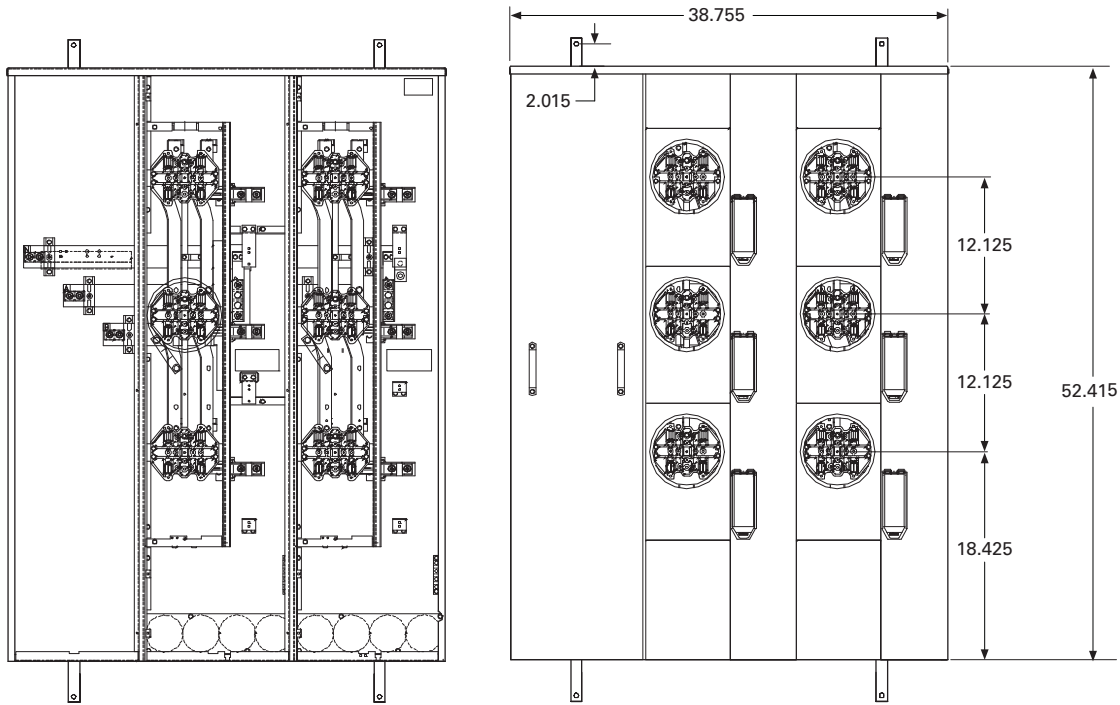
1MP, 200 Ampere Meter Packs—Aluminum and Copper Bus (1 of 2)

4

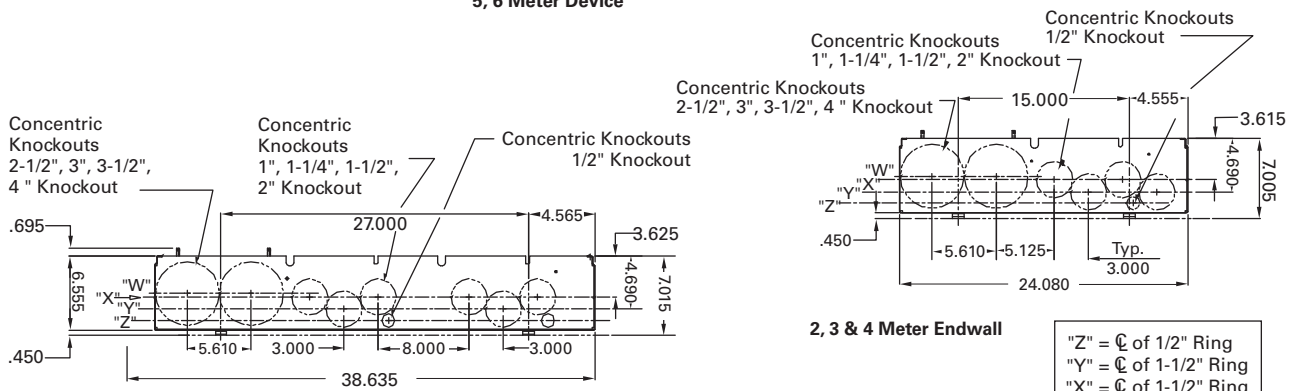


Approximate Dimensions in Inches (mm)

1MP, 200 Ampere Meter Packs—Aluminum and Copper Bus (2 of 2)

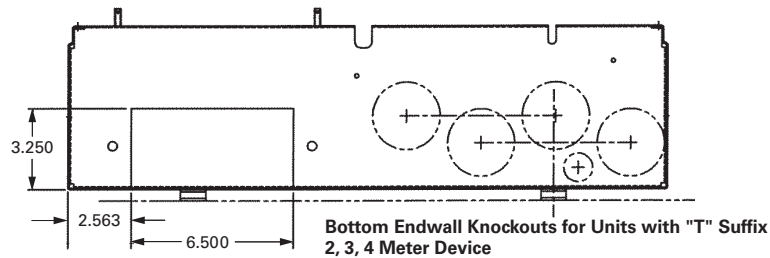


5, 6 Meter Device

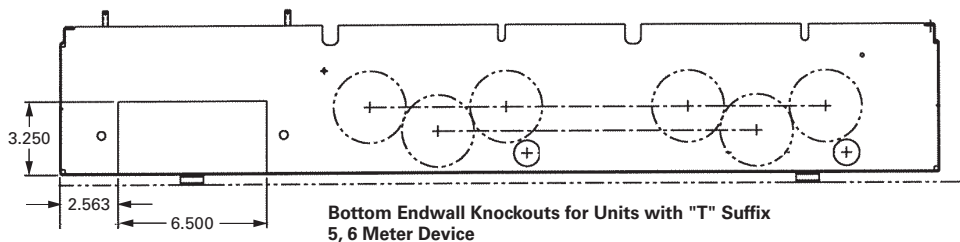


2, 3 & 4 Meter Endwall

"Z" = C of 1/2" Ring
 "Y" = C of 1-1/2" Ring
 "X" = C of 1-1/2" Ring
 "W" = C of 4" Ring



Bottom Endwall Knockouts for Units with "T" Suffix
 2, 3, 4 Meter Device



Bottom Endwall Knockouts for Units with "T" Suffix
 5, 6 Meter Device

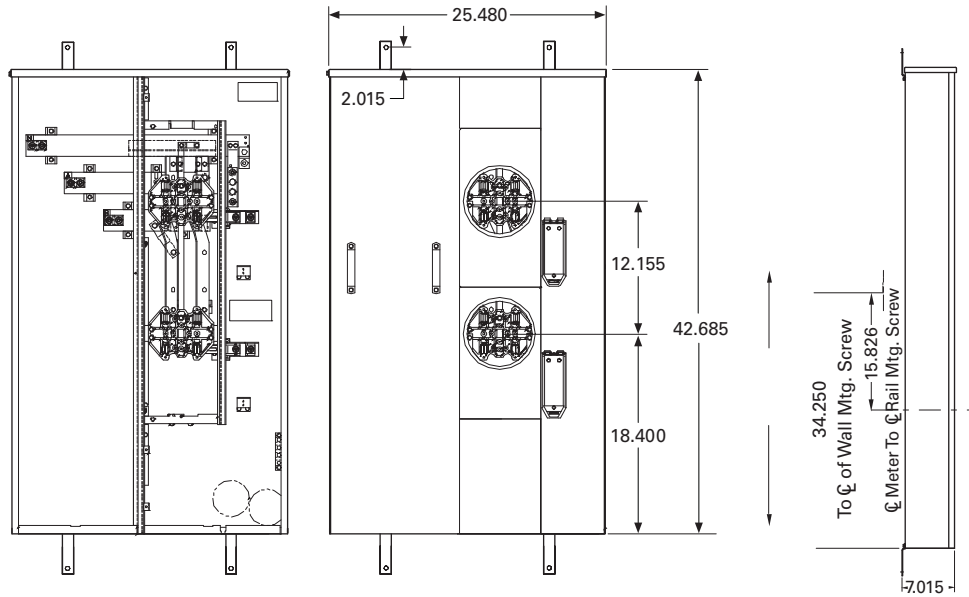
4.3

Metering Products

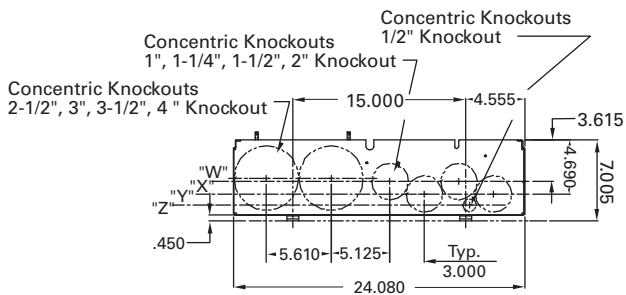
Group Metering

Approximate Dimensions in Inches (mm)

1MP, 200 Ampere Meter Packs—Aluminum and Copper Bus (2 Meter Device)

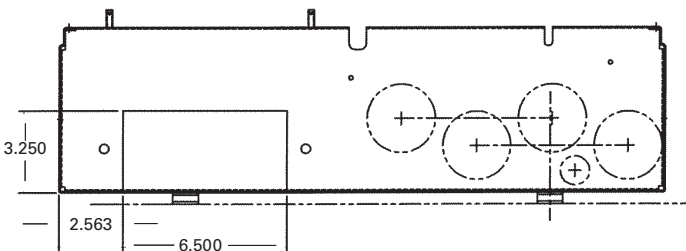
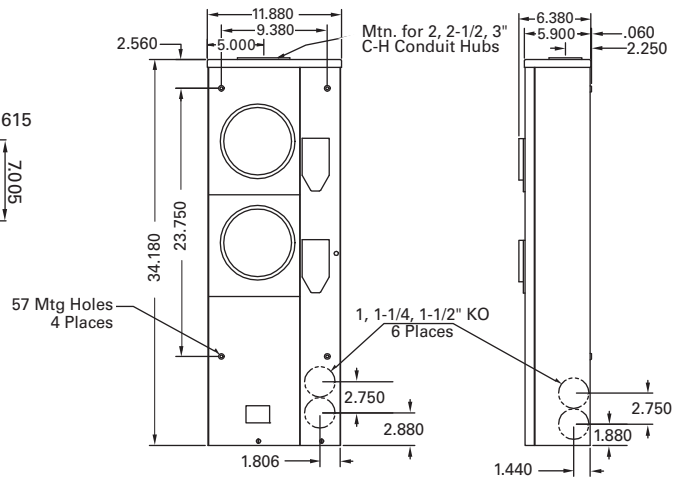


2 Meter Device



2, 3 & 4 Meter Endwall

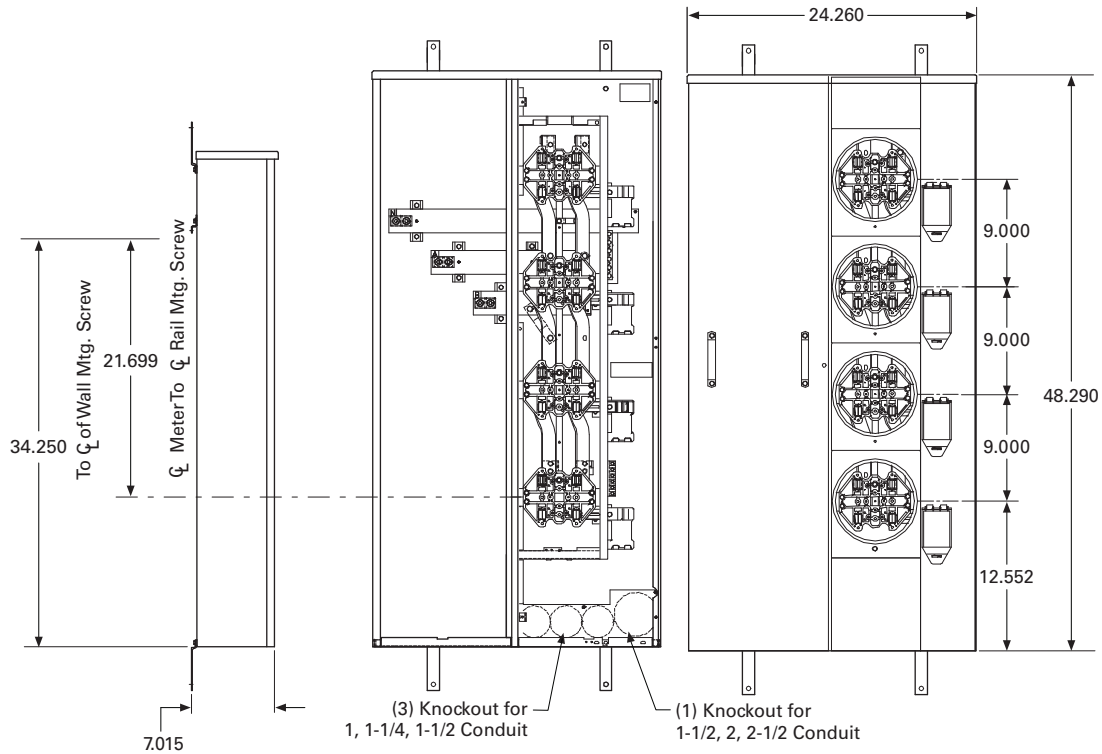
"Z" = ϕ of 1/2" Ring
 "Y" = ϕ of 1-1/2" Ring
 "X" = ϕ of 1-1/2" Ring
 "W" = ϕ of 4" Ring



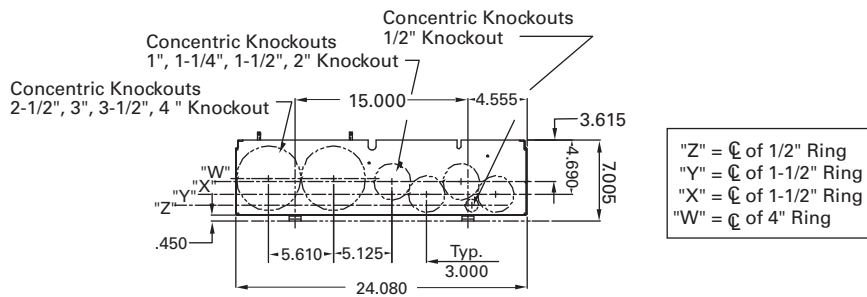
Bottom Endwall Knockouts
 for Units with "T" Suffix
 2, 3, 4 Meter Device

Approximate Dimensions in Inches (mm)

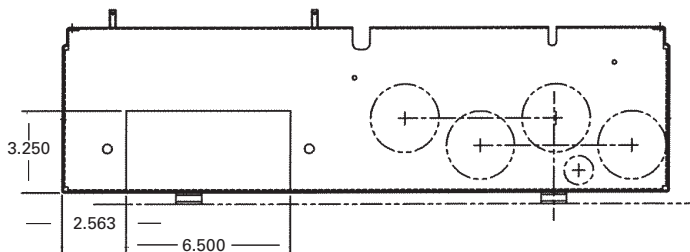
1MP, 200 Ampere Meter Packs—Aluminum and Copper Bus (3 and 4 Meter Device)



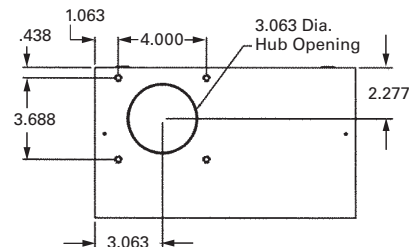
3 and 4 Meter Device



2, 3 & 4 Meter Endwall



Bottom Endwall Knockouts for Units with "T" Suffix
2, 3, 4 Meter Device



Top View

4.3

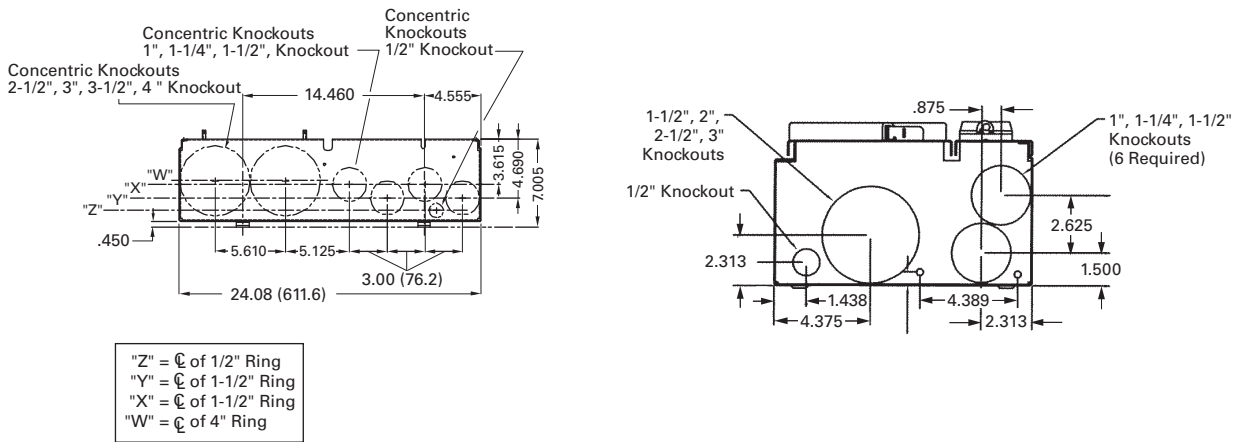
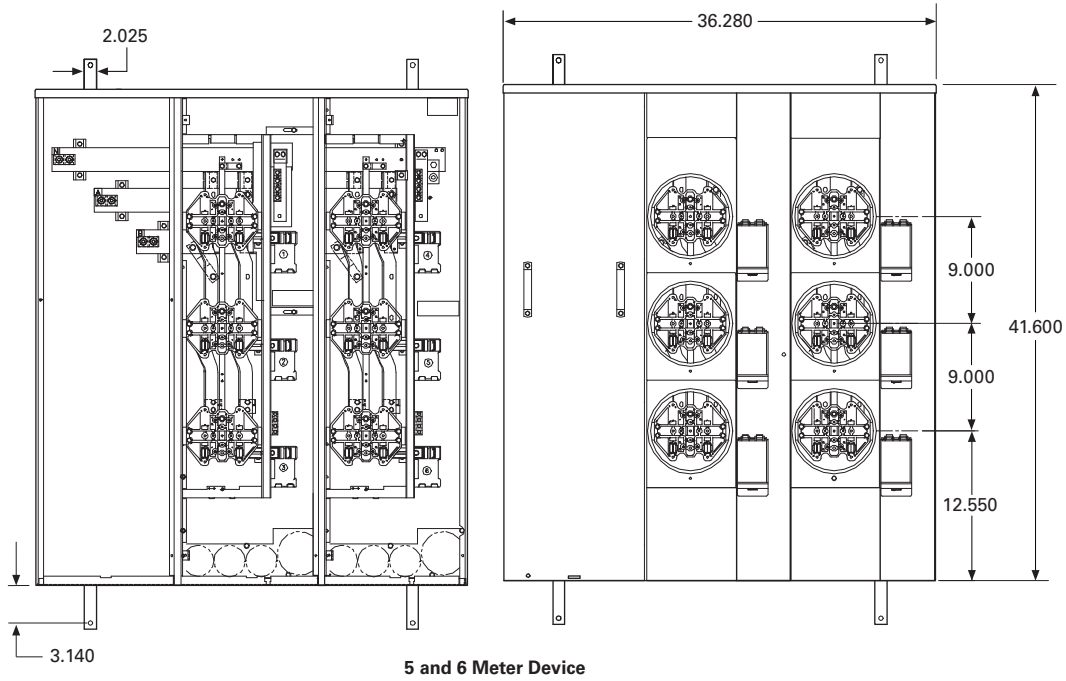
Metering Products

Group Metering

Approximate Dimensions in Inches (mm)

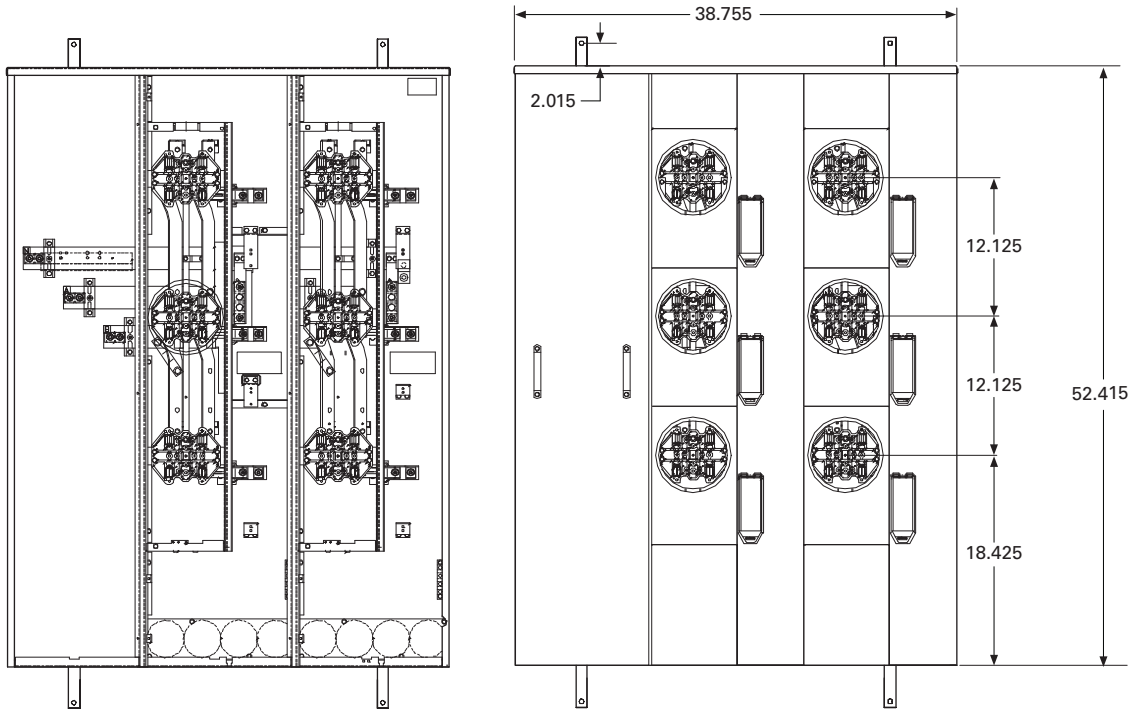
1MP, 200 Ampere Meter Packs—Aluminum and Copper Bus (5 and 6 Meter Device) 1 of 2

4

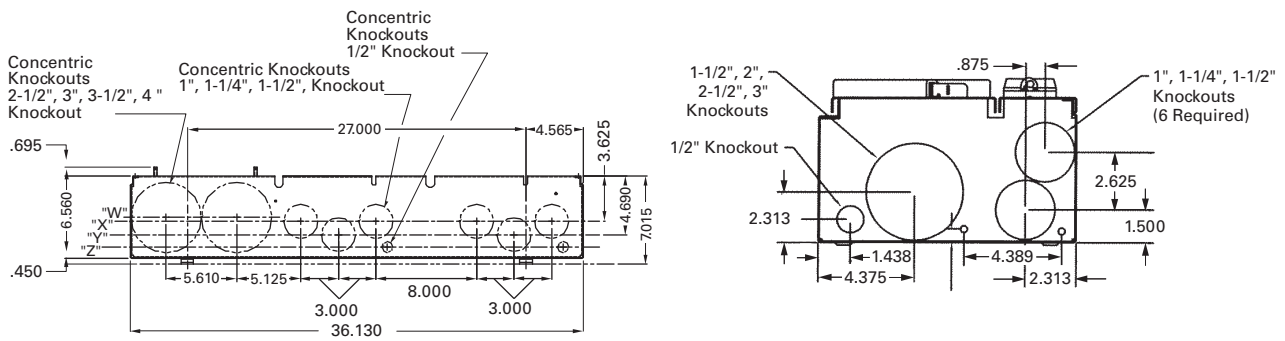


Approximate Dimensions in Inches (mm)

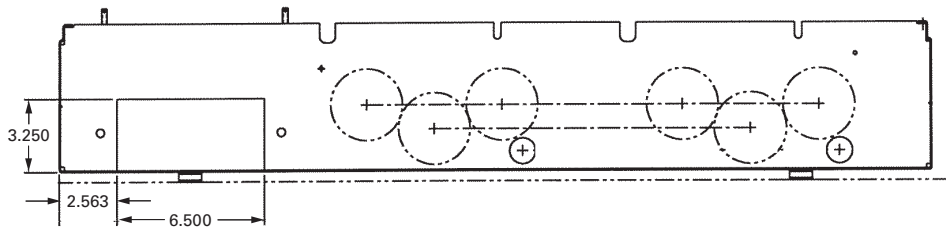
1MP, 200 Ampere Meter Packs—Aluminum and Copper Bus (5 and 6 Meter Device) 2 of 2



5 and 6 Meter Device



"Z" = C of 1/2" Ring
 "Y" = C of 1-1/2" Ring
 "X" = C of 1-1/2" Ring
 "W" = C of 4" Ring



Bottom Endwall Knockouts for Units with "T" Suffix
 5, 6 Meter Device

Main Tenant Circuit Breakers



Contents

<i>Description</i>	<i>Page</i>
Systems for Residential and Commercial Applications	V1-T4-68
Meter Packs	V1-T4-76
Meter Packs—Tenant Circuit Breakers	V1-T4-88
Main Service Modules	V1-T4-89
Residential Meter Stacks	V1-T4-108
Commercial Meter Stack Modules	V1-T4-123
35MM, 37MM, 35SS and 37SS Tenant Main Circuit Breakers	V1-T4-130
Phase Balanced Stack	V1-T4-132
Group Metering Inline Current Transformer Cabinets	V1-T4-133
Surge Metering	V1-T4-134
Group Metering Accessories	V1-T4-135

Meter Packs—1MP, 1MM and 3MM Main Tenant Circuit Breakers

Product Description

Specific main tenant circuit breakers that are to be used in meter packs (1MP), residential meter stacks (1MM) and three-phase in single-phase out meter stacks (3MM).

Product Selection

Meter Packs—1MP, 1MM and 3MM Main Tenant Circuit Breakers

Description	Number of Poles	Main Tenant Circuit Breaker Ampere Rating	10 kAIC Catalog Number ①	22 kAIC Catalog Number	25 kAIC Catalog Number ①②③④	42 kAIC Catalog Number ②③④	65 kAIC Catalog Number ②③④	100 kAIC Catalog Number ②③④
Plug-On Type								
Plug-on type circuit breakers used with 1MP, 1MM, and 3MM 125 A modular metering stacks	2	60	BR260	BRH260	—	BRHH260	BRX260	—
	2	70	BR270	BRH270	—	BRHH270	BRX270	—
	2	80	BR280	BRH280	—	BRHH280	BRX280	—
	2	90	BR290	BRH290	—	BRHH290	BRX290	—
	2	100	BR2100	BRH2100	—	BRHH2100	BRX2100	—
	2	110	BR2110	BRH2110	—	BRHH2110	BRX2110	—
	2	125	BR2125	BRH2125	—	BRHH2125	BRX2125	—
Bolt-On Type								
Bolt-on type circuit breakers used with 1MP, 1MM, and 3MM 200 A modular metering stacks	2	60	CCV2060X	—	CCVH2060X	CVS2060XMM	CV2060XMM	CVH2060XMM
	2	70	CCV2070X	—	CCVH2070X	CVS2070XMM	CV2070XMM	CVH2070XMM
	2	80	CCV2080X	—	CCVH2080X	CVS2080XMM	CV2080XMM	CVH2080XMM
	2	90	CCV2090X	—	CCVH2090X	CVS2090XMM	CV2090XMM	CVH2090XMM
	2	100	CCV2100X	—	CCVH2100X	CVS2100XMM	CV2100XMM	CVH2100XMM
	2	125	CCV2125X	—	CCVH2125X	CVS2125XMM	CV2125XMM	CVH2125XMM
	2	150	CCV2150X	—	CCVH2150X	CVS2150XMM	CV2150XMM	CVH2150XMM
	2	175	CCV2175X	—	CCVH2175X	CVS2175XMM	CV2175XMM	CVH2175XMM
2	200	CCV2200X	—	CCVH2200X	CVS2200XMM	CV2200XMM	CVH2200XMM	

Notes

- ① #2–300 kcmil wire size range for CCV and CCVH tenant main circuit breakers.
- ② “MM” suffix indicates mounting hardware kit is included as standard with tenant main breaker.
- ③ 1MMCBK replacement mounting hardware kit. One kit is needed per breaker. Mounting hardware kit ships standard with breaker “MM” suffix offering.
- ④ #6–4/0 kcmil wire size range for CVS, CV and CVH tenant main circuit breakers. If #2–300 kcmil is needed, order 2TA225CVK. One kit needed per breaker.

Main Service Modules

Main Service Modules

Product Description

- Main terminal box
- Main circuit breaker
- Main bolted pressure switch
- Main fusible switch
- Main fusible switch with pull box
- Underground pull box

Application Description

Main Circuit Breakers with Busway Connections

The Service Entrance Product Team announces the availability of both main fusible switch and main circuit breaker group metering mains with busway connections. This offering provides us with the ability to offer multiple tenant metering in high rise apartment buildings where riser busway is used.

Features, Benefits and Functions

Eaton's Main Service Module

- Offering: main terminal/lug compartment, main circuit breaker, main fusible switch, main bolted pressure switch, main fusible switch with pull box (meets EUSERC electrical requirements), underground pull box termination compartment without cross bus (meets EUSERC electrical requirements)
- Mechanically and electrically built for use with 1MM, 3MM, 35MM, 37MM, 35SS and 37SS modular metering stacks
- For integrated system short-circuit ratings with main devices, see series ratings on **Page V1-T4-73**
- All main service modules include both left and right horizontal bus closure plates

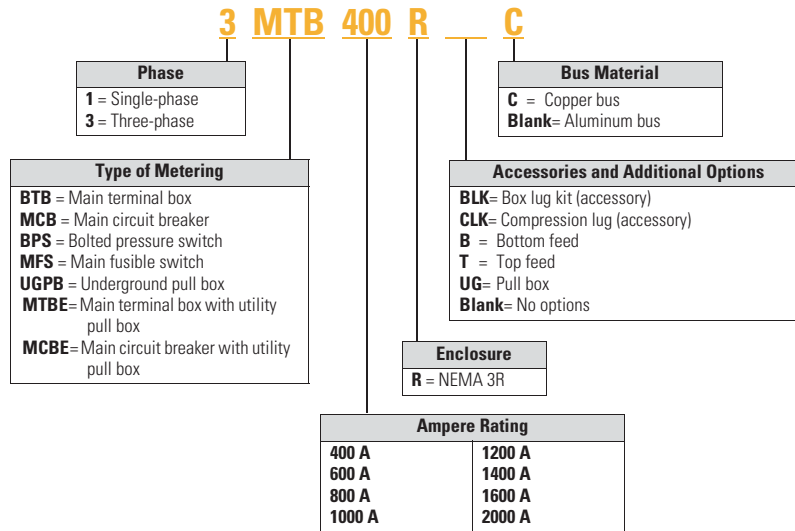
Contents

<i>Description</i>	<i>Page</i>
Systems for Residential and Commercial Applications	V1-T4-68
Meter Packs	V1-T4-76
Meter Packs—Tenant Circuit Breakers	V1-T4-88
Main Service Modules	
Catalog Number Selection	V1-T4-90
Product Selection	V1-T4-91
Dimensions	V1-T4-103
Residential Meter Stacks	V1-T4-108
Commercial Meter Stack Modules	V1-T4-123
35MM, 37MM, 35SS and 37SS Tenant Main Circuit Breakers	V1-T4-130
Phase Balanced Stack	V1-T4-132
Group Metering Inline Current Transformer Cabinets	V1-T4-133
Surge Metering	V1-T4-134
Group Metering Accessories	V1-T4-135

Main Circuit Breakers with Busway Connections

- Two-pole devices are applied to single-phase, three-wire, 120/240 V or 208Y/120 V systems, three-pole devices to 208Y/240 V or 120/240 V delta systems
 - Single-phase mains couple to any modular metering stack (1MM, 3MM, 35MM, 37MM, 35SS and 37SS)
 - Three-phase mains require three-phase bussed stacks. These modular metering stacks are 3MM, 35MM, 37MM, 35SS and 37SS
 - If the ampere rating of the main service module is greater than the horizontal bus rating of the meter stack (residential or commercial), the main service module must be center fed. Examples: 1200 A Main Circuit Breaker (**1MCB1200R**) with an 800 A residential stack (**1MM512R**). 1600 A Main Terminal Box (**3MTB1600R**) with a 1200 A residential stack (**3MM212R12**)
 - Most main service modules are available with aluminum or copper bus
- Three-phase, 400–200 A main circuit breakers
 - Three-phase, 400–800 A main fusible switches
 - Simple bridge joint connection
 - Variety of options:
 - Right or left mounting
 - Internal ground or housing ground
 - The MFS/MCB and busway connector are supplied completely assembled

Catalog Number Selection



When Ordering:

1. Determine catalog number of Main Service Module.
2. Determine catalog number of Meter Stack (Residential or Commercial).
3. Find quantity and catalog numbers for tenant circuit breakers (found on **Page V1-T4-125** or **V1-T4-131**). Order one breaker per socket.
4. If any accessories are needed, order from **Pages V1-T4-136** and **V1-T4-137**.

Product Selection

Main Terminal Box

- Phase and neutral lugs are included
- Top or bottom feed:
 - For top feed, use Myer type hub
- Indoor or outdoor
- Terminal box UL listed short-circuit rating is the least AIC rating of any installed main tenant breaker—to a maximum of 100,000 rms symmetrical amperes

Main Terminal Box



Main Terminal Box

Ampere Rating	Line Side Lug and Wire Sizes—Included	System Voltage 120/240 Vac Single-Phase, Three-Wire Catalog Number	120/208 Vac Three-Phase, Four-Wire Catalog Number
Aluminum Bus (Standard Offering)			
400	(1) #6–600 or (2) 1/0–250 kcmil ②	Use three-phase	3MTB400R
600	(2) 250–500 kcmil ③	Use three-phase	3MTB600R
800	(4) 250–500 kcmil ④⑤	1MTB800R	3MTB800R
1200 ①	(4) 250–500 kcmil ⑥⑥	1MTB1200R	3MTB1200R
Aluminum Bus (EUSERC)			
400	Crimp lug landing pads (no lugs included)	1MTBE400R ⑦	3MTBE400R ⑦
800	Crimp lug landing pads (no lugs included)	1MTBE800R ⑦	3MTBE800R ⑦
Copper Bus (Premium Offering)			
400	(1) #6–600 or (2) 1/0–250 kcmil ②	Use three-phase	3MTB400RC
600	(2) 250–500 kcmil ③	Use three-phase	3MTB600RC
800	(4) 250–500 kcmil ④⑤	1MTB800RC	3MTB800RC
1200 ①	(4) 250–500 kcmil ⑥⑥	1MTB1200RC	3MTB1200RC
1400	(6) #2–600 kcmil	1MCB1400RBC-600	3MCB1400RBC-600
1400	(6) #2–600 kcmil	1MCB1400RT-600	3MCB1400RT-600
1600 ①	(6) 250–500 kcmil	1MTB1600RC	3MTB1600RC
2000 ①	(8) 1/0–750 kcmil or (16) 1/0–300 kcmil	1MTB2000RC	3MTB2000RC

Main Terminal Box Riser Panel

Eaton’s Main Terminal Box Riser Panel is a main terminal box with offset lugs on each

phase to allow riser cables to pass through the main service module.

These panels are used in the construction of assisted living homes, dormitories, public housing complexes and apartments.

Main Terminal Box Riser Panel

Ampere Rating	Line and Load Side Lug and Wire Sizes Included	System Voltage 120/240 Vac Single-Phase, Three-Wire Catalog Number	120/208 Vac Three-Phase, Four-Wire Catalog Number
Copper Bus (Standard Offering)			
1200	#2–750 kcmil ①⑥	Use three-phase	3MTB1200RCRIS
1600	#2–750 kcmil ①⑥	Use three-phase	3MTB1600RCRIS
2000	#2–750 kcmil ①⑥	1MTB2000RCRIS	3MTB2000RCRIS

Notes

- ① 1200 A main devices must be center fed when installing 800 A residential meter stacks. 1600 A and 2000 A main devices must be center fed when installing 800–1200 A residential and commercial meter stacks.
- ② For 400 A units, to obtain (4) 750 kcmil cables per phase—order quantity 4 **1MPLK2**. Kit contains one lug.
- ③ For compression lug landing kits for 600 A units, order **3MTB600CLK**. Kit includes lug landings for three phases and neutral.
- ④ For 800 A units, to obtain (4) 1/0–300 kcmil or (2) 1/0–750 kcmil cables per phase—order catalog number **3MTB800BLK**, one lug kit per main terminal box ordered (neutral and ground included in kit).
- ⑤ For 800 A and 1200 A units, for compression lug landing kits, order **3MTB1200CLK**. Kit includes lug landings for three-phase and neutral.
- ⑥ For 1200 A units, to obtain (6) 1/0–300 kcmil or (3) 750 kcmil cables per phase—order catalog number **3MTB1200BLK**, one lug kit per main terminal box ordered (neutral and ground included in kit).
- ⑦ Meets EUSERC electrical requirements and eliminates the need to add additional pull box section. Reference drawing EUSERC DWG-343.
- ⑧ Quantity (10) lugs per phase—quantity (5) lugs incoming and quantity (5) lugs outgoing per phase.
- ⑨ Quantity (16) lugs per phase—quantity (8) lugs incoming and quantity (8) lugs outgoing per phase.

Aluminum Bus—Standard Offering

Main Circuit Breaker

- Phase and neutral lugs included. If additional neutral lugs are needed, order 1MCB1200NLK for (3) 1/0–750 or (6) 1/0–300 kcmil
- For shunt trip mains, order the field-installable shunt trip kit in this volume, Tab 1, section 1.1
- For overhead feed, use Myer type hub. Verify local utility approval
- For compression lugs on 400, 600, 800, 1000 and 1200 A units, add CL to the end of the part number (includes copper lug pads for lines and neutral)
- 1200 A or greater main devices must be center fed when installing 800 A residential meter stacks
- 1400, 1600 and 2000 A main devices must be center fed when installing 800 and 1200 A residential and commercial meter stacks

Main Circuit Breaker



Main Circuit Breaker

Main Ampere Rating	Main Circuit Breaker Type	Feed	kAIC	Line Side Lug and Wire Sizes (Lugs Included with Main Breaker) ①	System Voltage	
					120/240 Vac Single-Phase, Three-Wire Catalog Number	120/208 Vac Three-Phase, Four-Wire Catalog Number
Aluminum Bus (Standard Offering)						
250	KD	Bottom/top	65	(2) 3/0–250 kcmil or (1) 2/0–500 kcmil	1MCB250R	3MCB250R
250	HKD	Bottom/top	100	(2) 3/0–250 kcmil or (1) 2/0–500 kcmil	1MHCB250R	3MHCB250R
300	KD	Bottom/top	65	(2) 3/0–250 kcmil or (1) 2/0–500 kcmil	1MCB300R	3MCB300R
300	HKD	Bottom/top	100	(2) 3/0–250 kcmil or (1) 2/0–500 kcmil	1MHCB300R	3MHCB300R
350	KD	Bottom/top	65	(2) 3/0–250 kcmil or (1) 2/0–500 kcmil	1MCB350R	3MCB350R
350	HKD	Bottom/top	100	(2) 3/0–250 kcmil or (1) 2/0–500 kcmil	1MHCB350R	3MHCB350R
400	KD	Bottom/top	65	(2) 3/0–250 kcmil or (1) 2/0–500 kcmil	1MCB400R ②	3MCB400R ②
400	HKD	Bottom/top	100	(2) 3/0–250 kcmil or (1) 2/0–500 kcmil	1MHCB400R ②	3MHCB400R ②
500	LD	Bottom/top	65	(2) 400–500 kcmil	1MCB500R	3MCB500R
500	HLD	Bottom/top	100	(2) 400–500 kcmil	1MHCB500R	3MHCB500R
600	LD	Bottom/top	65	(2) 400–500 kcmil	1MCB600R ②	3MCB600R ②
600	HLD	Bottom/top	100	(2) 400–500 kcmil	1MHCB600R ②	3MHCB600R ②
700	HMDL	Bottom/top	100	(3) 3/0–400 kcmil	1MHCB700R	3MHCB700R
700	MDL	Bottom/top	65	(3) 3/0–400 kcmil	1MCB700R	3MCB700R
800	MDL	Bottom/top	65	(3) 3/0–400 kcmil	1MCB800R ②	3MCB800R ②
800	MDL	Bottom/top	65	(2) 500–750 kcmil	1MCB800R750	3MCB800R750
800	HMDL	Bottom/top	100	(3) 3/0–400 kcmil	1MHCB800R ②	3MHCB800R ②
900	NGS	Bottom/top	65	(4) 4/0–500 kcmil ③	1MCB900R ④	3MCB900R ④
900	NGH	Bottom/top	100	(4) 4/0–500 kcmil ③	1MHCB900R ④	3MHCB900R ④
1000	NGS	Bottom/top	65	(4) 4/0–500 kcmil ③	1MCB1000R ②④	3MCB1000R ②④
1000	NGS	Bottom/top	65	(3) 500–750 kcmil	1MCB1000R750	3MCB1000R750
1000	NGH	Bottom/top	100	(4) 4/0–500 kcmil ③	1MHCB1000R ②④	3MHCB1000R ②④
1200	NGS	Bottom/top	65	(4) 4/0–500 kcmil ③	1MCB1200R ②④	3MCB1200R ②④
1200	NGH	Bottom/top	100	(4) 4/0–500 kcmil ③	1MHCB1200R ②④	3MHCB1200R ②④
1200	NGS	Bottom/top	65	(3) 500–750 kcmil	Use three-phase	3MCB1200R750

Notes

- ① If additional neutral lugs are needed, order **1MCB1200NLK** [(3) 1/0–750 kcmil or (6) 1/0–300 kcmil].
- ② Add CL to end of catalog number for compression lug pads (includes lug pads for lines and neutral).
- ③ If (3) 500–750 kcmil are needed, order **TA1201NB1**. Order one kit per pole.
- ④ Main devices with a rating greater than 800 A can be used with 800 A residential modular stacks, but only as a center fed main.

Copper Bus—Premium Offering

Main Circuit Breaker

Main Circuit Breaker



Main Ampere Rating	Main Circuit Breaker Type	Feed	kAIC	Line Side Lug and Wire Sizes (Lugs Included with Main Breaker) ①	System Voltage 120/240 Vac Single-Phase, Three-Wire Catalog Number	120/208 Vac Three-Phase, Four-Wire Catalog Number
Copper Bus (Premium Offering)						
400	KD	Bottom/top	65	(2) 3/0–250 kcmil or (1) 2/0-500 kcmil	1MCB400RC ②	3MCB400RC ②
400	HKD	Bottom/top	100	2/0–500 kcmil	1MHCB400RC ②	3MHCB400RC ②
600	LD	Bottom/top	65	(2) 300–500 kcmil	1MCB600RC ②	3MCB600RC ②
600	HLD	Bottom/top	100	(2) 300–500 kcmil	1MHCB600RC ②	3MHCB600RC ②
800	MDL	Bottom/top	65	(3) 3/0–400 kcmil	1MCB800RC ②	3MCB800RC ②
800	HMDL	Bottom/top	100	(3) 3/0–400 kcmil	1MHCB800RC ②	3MHCB800RC ②
900	NGS	Bottom/top	65	(4) 4/0–500 kcmil ③	1MCB900RC ④	3MCB900RC ④
900	NGH	Bottom/top	100	(4) 4/0–500 kcmil ③	1MHCB900RC ④	3MHCB900RC ④
1000	NGS	Bottom/top	65	(3) 500–750 kcmil	1MCB1000R750C	3MCB1000R750C
1000	NGS	Bottom/top	65	(4) 4/0–500 kcmil ③	1MCB1000RC ②④	3MCB1000RC ②④
1000	NGH	Bottom/top	100	(4) 4/0–500 kcmil ③	1MHCB1000RC ②④	3MHCB1000RC ②④
1200	NGS	Bottom	65	(3) 500–750 kcmil	Use three-phase	3MCB1200R750C
1200	NGS	Bottom	65	(4) 4/0–500 kcmil ③	1MCB1200RC ②④	3MCB1200RC ②④
1200	NGH	Bottom	100	(4) 4/0–500 kcmil ③	1MHCB1200RC ②④	3MHCB1200RC ②④
1400	RGH	Bottom	100	(4) 500–1000 kcmil ⑤	1MCB1400RBC ④	3MCB1400RBC ④
1400	RGH	Top	100	(4) 500–1000 kcmil ⑤	1MCB1400RT ⑥	3MCB1400RT ⑥
1400	RGH	Bottom	100	(6) #2–600 kcmil	1MCB1400RBC-600 ④	3MCB1400RBC-600 ④
1400	RGH	Top	100	(6) #2–600 kcmil	1MCB1400RT-600 ④	3MCB1400RT-600 ④
1600	RGH	Bottom	100	(4) 500–1000 kcmil ⑤	1MCB1600RBC ⑦	3MCB1600RBC ⑦
1600	RGH	Top	100	(4) 500–1000 kcmil ⑤	1MCB1600RT ⑦	3MCB1600RT ⑦
1600	RGH	Bottom	100	(6) #2–600 kcmil	1MCB1600RBC-600 ④	3MCB1600RBC-600 ④
1600	RGH	Top	100	(6) #2–600 kcmil	1MCB1600RT-600 ④	3MCB1600RT-600 ④
2000	RGH	Bottom	100	(6) #2–600 kcmil	1MCB2000RBC ⑦	3MCB2000RBC ⑦
2000	RGH	Top	100	(6) #2–600 kcmil	1MCB2000RT ⑦	3MCB2000RT ⑦

Notes

- ① If additional neutral lugs are needed, order **1MCB1200NLK** [(3) 1/0–750 kcmil or (6) 1/0–300 kcmil].
- ② Add CL to end of catalog number for compression lug pads (includes lug pads for lines and neutral).
- ③ If (3) 500–750 kcmil are needed, order **TA1201NB1**. Order one kit per pole.
- ④ Main devices with a rating greater than 800 A can be used with 800 A residential modular stacks but only as a center fed main.
- ⑤ If (6) #2–600 kcmil lugs are needed, order **TA2000RD**. Catalog number includes terminals and hardware for three poles. If neutral is needed, order **TA2000N**.
- ⑥ Main devices with a rating greater than 1200 A can be used with residential and commercial modular metering stacks but only as a center fed main.
- ⑦ Only to be used in center feed applications with 1200 A meter stacks. Not to be used with 800 A stacks.

Aluminum Bus—EUSERC

Main Circuit Breaker

Main Circuit Breaker, EUSERC



Main Ampere Rating	Main Circuit Breaker Type	Feed	KAIC	Line Side Lug and Wire Sizes (Lugs Included with Main Breaker) ①	System Voltage	
					120/240 Vac Single-Phase, Three-Wire Catalog Number	120/208 Vac Three-Phase, Four-Wire Catalog Number
Aluminum Bus (EUSERC) ②						
300	KD	Bottom	65	Crimp lug landing pads (no lugs included)	1MCBE300R	3MCBE300R
350	KD	Bottom	65	Crimp lug landing pads (no lugs included)	1MCBE350R	3MCBE350R
400	KD	Bottom	65	Crimp lug landing pads (no lugs included)	1MCBE400R	3MCBE400R
400	HKD	Bottom	100	Crimp lug landing pads (no lugs included)	1MHCBE400R	3MHCBE400R
500	LD	Bottom	65	Crimp lug landing pads (no lugs included)	1MCBE500R	3MCBE500R
600	LD	Bottom	65	Crimp lug landing pads (no lugs included)	1MCBE600R	3MCBE600R
600	HLD	Bottom	100	Crimp lug landing pads (no lugs included)	1MHCBE600R	3MHCBE600R
800	MDL	Bottom	65	Crimp lug landing pads (no lugs included)	1MCBE800R	3MCBE800R
800	HMDL	Bottom	100	Crimp lug landing pads (no lugs included)	1MHCBE800R	3MHCBE800R
1000	NGS	Bottom	65	Crimp lug landing pads (no lugs included)	1MCBE1000R	3MCBE1000R
1200	NGS	Bottom	65	Crimp lug landing pads (no lugs included)	1MCBE1200R	3MCBE1200R
1200	NGH	Bottom	100	Crimp lug landing pads (no lugs included)	1MHCBE1200R	3MHCBE1200R

Copper Bus—EUSERC

Main Circuit Breaker

Main Circuit Breaker



Main Ampere Rating	Main Circuit Breaker Type	Feed	KAIC	Line Side Lug and Wire Sizes (Lugs Included with Main Breaker) ①	System Voltage	
					120/240 Vac Single-Phase, Three-Wire Catalog Number	120/208 Vac Three-Phase, Four-Wire Catalog Number
Copper Bus (EUSERC) ②						
1000	NGS	Bottom	65	Crimp lug landing pads (no lugs included)	1MCBE1000RC	3MCBE1000RC
1200	NGS	Bottom	65	Crimp lug landing pads (no lugs included)	1MCBE1200RC	3MCBE1200RC
1200	NGH	Bottom	100	Crimp lug landing pads (no lugs included)	1MHCBE1200RC	3MHCBE1200RC

Notes

- ① If additional neutral lugs are needed, order **1MCB1200NLK** [(3) 1/0–750 kcmil or (6) 1/0–300 kcmil].
- ② Main devices with a rating greater than 1200 A can be used with residential and commercial modular metering stacks but only as a center fed main.

Arcflash Reduction Maintenance System™ for group metering mains

Eaton’s Arcflash Reduction Maintenance System (ARMS) for group metering main breakers enhances worker safety in multi-tenant residential and light commercial applications by reducing the arc flash potential while performing maintenance. With a reduction in arc flash hazard risk, workers can operate with improved mobility without sacrificing safety. ARMS provides accelerated instantaneous trip, reducing potential arc flash. 310+ trip unit provides the fastest clearing times in the industry, with less arc energy.

Services

Eaton can offer a higher degree of application knowledge and technical support, along with reduced complexity. To further support utility teams, Eaton offers comprehensive, tailored training, offered both virtually and onsite.

Training

- Intro to Eaton
Learn more about our company and our history of innovation
- Meter Products Overview
Comprehensive overview of Eaton’s metering product line, available configurations and features
- Technical Metering
A deeper dive into complex metering issues, such as phase balancing or the Arcflash Reduction Maintenance System
- Codes and Standards
Discussion of increasingly complex federal and state regulations to decrease burdens on utility staff, and reduce operations at risk

Support

With a strong presence and local sales offices throughout the U.S., Eaton’s national footprint and extensive utility presence allows us to connect with your business—wherever it operates—offering local engineering, project management and service providers for immediate support to improve uptime, increase safety and reduce costs. Eaton’s team includes utility application-specific experts with a track record of solving unique problems and managing complex, integrated solutions and turnkey projects.

Main Circuit Breaker



Main Circuit Breaker with Arcflash Reduction Maintenance Switch

Main Ampere Rating	Main Circuit Breaker Type	Feed	kAIC	Line Side Lug and Wire Sizes (Lugs Included with Main Breaker)	System Voltage 120/240 Vac	System Voltage 120/208 Vac
					Single-Phase, Three-Wire	Three-Phase, Four-Wire
					Catalog Number	Catalog Number
Aluminum Bus (Standard Offering)						
900	NGS	Top	65	(4) 4/0–500 kcmil	1MCB900RA	3MCB900RA
1000	NGS	Bottom/top	65	(4) 4/0–500 kcmil	1MCB1000RA	3MCB1000RA
1000	NGS	Bottom/top	65	(3) 500–750 kcmil	1MCB1000RA750	3MCB1000RA750
1000	NGS	Bottom	65	Crimp lug landing pads (no lugs included)	1MCBE1000RA	3MCBE1000RA
1000	NGH	Bottom/top	100	(4) 4/0–500 kcmil	1MHCB1000RA	3MHCB1000RA
1200	NGS	Bottom/top	65	(4) 4/0–500 kcmil	1MCB1200RA	3MCB1200RA
1200	NGS	Bottom	65	Crimp lug landing pads (no lugs included)	1MCBE1200RA	3MCBE1200RA
1200	NGH	Bottom/top	100	(4) 4/0–500 kcmil	1MHCB1200RA	3MHCB1200RA
1200	NGH	Bottom	100	Crimp lug landing pads (no lugs included)	1MHCE1200RA	3MHCE1200RA
1400	RGH	Top	100	(4) #500–1000 kcmil	1MCB1400RTA	3MCB1400RTA
1600	RGH	Top	100	(6) #2–600 kcmil	1MCB1600RTA600	3MCB1600RTA600
1600	RGH	Top	100	(4) #500–1000 kcmil	—	3MCB1600RTA
2000	RGH	Top	100	(6) #2–600 kcmil	1MCB2000RTA	3MCB2000RTA

Main Circuit Breaker with Arcflash Reduction Maintenance Switch

Main Ampere Rating	Main Circuit Breaker Type	Feed	kAIC	Line Side Lug and Wire Sizes (Lugs Included with Main Breaker) ①	System Voltage 120/240 Vac	System Voltage 120/208 Vac
					Single-Phase, Three-Wire	Three-Phase, Four-Wire
					Catalog Number	Catalog Number
Copper Bus (Premium Offering) ②						
1000	NGS	Bottom/top	65	(4) 4/0–500 kcmil	1MCB1000RCA	3MCB1000RCA
1000	NGS	Bottom	65	Compression lug pads	1MCB1000RCCLA	3MCB1000RCCLA
1000	NGH	Bottom	100	Compression lug pads	1MHCB1000RCCLA	3MHCB1000RCCLA
1000	NGH	Bottom/top	100	(4) 4/0–500 kcmil	—	3MCBE1000RCA
1000	NGH	Bottom	100	(4) 4/0–500 kcmil	—	3MHCB1000RCA
1200	NGS	Bottom/top	65	(2) 500–750 kcmil	1MCB1200RCA	3MCB1200RCA
1200	NGS	Bottom	65	Compression lug pads	1MCB1200RCCLA	3MCB1200RCCLA
1200	NGS	Bottom/top	65	(3) 500–750 kcmil	—	3MCB1200RA750C
1200	NGH	Bottom/top	100	(4) 4/0–500 kcmil	1MHCB1200RCA	3MHCB1200RCA
1200	NGH	Bottom	100	Compression lug pads	—	3MHCB1200RCCLA
1400	RGH	Bottom/top	100	(4) #500–1000 kcmil	1MCB1400RBCA	3MCB1400RBCA
1400	RGH	Bottom/top	100	(6) #2–600 kcmil	1MCB1400RBCA600	3MCB1400RBCA600
1400	RGH	Bottom	100	Compression lug pads	1MCB1400RUGCCLA	3MCB1400RUGCCLA
1600	RGH	Bottom/top	100	(4) #500–1000 kcmil	1MCB1600RBCA	3MCB1600RBCA
1600	RGH	Bottom/top	100	(6) #2–600 kcmil	1MCB1600RBCA600	3MCB1600RBCA600
1600	RGH	Bottom	100	Compression lug pads	1MCB1600RUGCCLA	3MCB1600RUGCCLA
2000	RGH	Bottom/top	100	(6) #2–600 kcmil	1MCB2000RBCA	3MCB2000RBCA
2000	RGH	Bottom	100	Compression lug pads	1MCB2000RUGCCLA	3MCB2000RUGCCLA

Main Circuit Breaker with Utility Pull Box

- These main circuit breakers are not suitable for EUSERC territories

Main Circuit Breaker with Utility Pull Box

Ampere Rating	Main Circuit Breaker Type	Feed	kAIC	Line Side Lug and Wire Sizes	System Voltage	
					120/240 Vac, Single-Phase, Three-Wire	120/208 Vac, Three-Phase, Four-Wire
Aluminum Bus (Standard Offering)						
1400	RGH	Bottom/Top	65	Crimp lug landing pads (lugs not included)	1MCB1400RUGCCL	3MCB1400RUGCCL
1600	RGH	Bottom/Top	65	Crimp lug landing pads (lugs not included)	1MCB1600RUGCCL	3MCB1600RUGCCL
2000	RGH	Bottom/Top	65	Crimp lug landing pads (lugs not included)	1MCB2000RUGCCL	3MCB2000RUGCCL
Copper Bus (Premium)						
1600	RGH	Bottom/Top	100	Crimp lug landing pads (lugs not included)	1MHCB1600RUGCCL	3MHCB1600RUGCCL
2000	RGH	Bottom/Top	100	Crimp lug landing pads (lugs not included)	1MHCB2000RUGCCL	3MHCB2000RUGCCL

Main Fusible Switch with Utility Pull Box

- Fuses not included
- Includes lug landing pads on line side and neutral
- Complies with EUSERC requirements as long as spacer kit 3MMBSK is used
- 100 kAIC rating on switches with Class T fuse clips installed

Main Fusible Switch with Utility Pull Box ①

Main Fusible Switch with Utility Pull Box



Ampere Rating	Feed	Class Fuse Clips (Fuses Not Included)	Line Side Box Lugs and Wire Sizes (Included with Switch)	System Voltage	
				120/240 Vac Single-Phase, Three-Wire Catalog Number	120/208 Vac Three-Phase, Four-Wire Catalog Number
Aluminum Bus (Standard Offering)					
400	Bottom	T	②	1MFS400RUG	3MFS400RUG
600	Bottom	T	②	1MFS600RUG	3MFS600RUG
800	Bottom	T, L	②	1MFS800RUG	3MFS800RUG
1200	Bottom	T	②	1MFS1200RUG	3MFS1200RUG
Copper Bus (Premium Offering)					
400	Bottom	T	②	1MFS400RUGC	3MFS400RUGC
600	Bottom	T	②	1MFS600RUGC	3MFS600RUGC
800	Bottom	T, L	②	1MFS800RUGC	3MFS800RUGC
1200	Bottom	T	②	1MFS1200RUGC	3MFS1200RUGC

Notes

- ① Reference drawing EUSERC DWG-315.
- ② Pull box section includes landing studs for line side compression lugs. Wire sizes refer to load side connection.
- ③ Reference drawing EUSERC DWG-343.

Main Fusible Switches

- Fuses not included
- Main lugs and neutral included with device
- 100 kAIC rating on switches with Class T fuses installed. If converting to Class H, the kAIC rating is 10 and if converted to Class R, the kAIC rating is 200
- 800 A top and bottom fed units are supplied with Class T fuse clips as standard. The Class T fuse clips are field convertible to Class L by repositioning. No kit is needed
- Barrier kits available for 400–800 A fusible switches:
Bottom feed—**3MFSBBK**,
Top feed—**3MFSBTK**

Note: This is the fuse rating, switch still rated at 100 kAIC.

Main Fusible Switches

Main Fusible Switches



Ampere Rating	Feed	Class Fuse Clips (Fuses Not Included)	Line Side Box Lugs and Wire Sizes (Included with Switch)	System Voltage 120/240 Vac Single-Phase, Three-Wire Catalog Number	120/208 Vac Three-Phase, Four-Wire Catalog Number
Aluminum Bus (Standard Offering)					
400	Bottom	T ①	(2) 1/0–300 kcmil or (1) 750 kcmil ④⑤	1MFS400RB	3MFS400RB
400	Top	T ①	(2) 1/0–300 kcmil or (1) 750 kcmil ⑥⑥	1MFS400RT	3MFS400RT
600	Bottom	T ②	(2) #2–600 kcmil ④⑤	1MFS600RB	3MFS600RB
600	Top	T ②	(2) #2–600 kcmil ⑥⑥	1MFS600RT	3MFS600RT
800	Bottom	T, L ③	(4) 3/0–750 kcmil ④	1MFS800RB	3MFS800RB
800	Top	T, L ③	(4) 3/0–750 kcmil ⑥	1MFS800RT	3MFS800RT
1200	Bottom	T, L ③	(4) #2–600 kcmil ⑦	1MFS1200RB	3MFS1200RB
Copper Bus (Premium Offering)					
400	Bottom	T ①	(2) 1/0–300 kcmil or (1) 750 kcmil ④⑤	1MFS400RBC	3MFS400RBC
400	Top	T ①	(2) 1/0–300 kcmil or (1) 750 kcmil ⑥⑥	1MFS400RTC	3MFS400RTC
600	Bottom	T ②	(2) #2–600 kcmil ④⑤	1MFS600RBC	3MFS600RBC
600	Top	T ②	(2) #2–600 kcmil ⑥⑥	1MFS600RTC	3MFS600RTC
800	Bottom	T, L ③	(4) 3/0–750 kcmil ④	1MFS800RBC	3MFS800RBC
800	Top	T, L ③	(4) 3/0–750 kcmil ⑥	1MFS800RTC	3MFS800RTC
1200	Bottom	T, L ③	(4) #2–600 kcmil ⑦	1MFS1200RBC	3MFS1200RBC

Notes

- ① If Class H fuse clips are needed, use catalog number **WCG3HK400** (order 1) per phase.
If Class R fuse clips are needed, order catalog number **DS56FK** in addition to **WCG3HK400**.
In order to go from T to R, the device must first be converted to H.
All kits are field installable and each **DS56FK** kit will convert three poles.
- ② If Class H fuse clips are needed, use catalog number **WCG3HK600** (order 1) per phase.
If Class R fuse clips are needed, order catalog number **DS66FK** in addition to **WCG3HK600**.
In order to go from T to R, the device must first be converted to H.
All kits are field installable and each **DS66FK** kit will convert three poles.
- ③ Class T fuse clips provided are field convertible to Class L by repositioning. No kit is needed.
- ④ If compression lugs are being used, order **3MFS800CLK**. This compression lug kit includes four pads (three poles and neutral).
- ⑤ 1MFS600BLK (4) 3/0–750 kcmil/phase (one kit/phase and one kit/neutral).
- ⑥ If compression lugs are being used, order **3MFS800CLKT**. This compression lug kit includes four pads (three poles and neutral).
- ⑦ IMFS1200LK (3) 750 kcmil/phase (one kit/phase). IMFS1200LKN (3) 750 kcmil (neutral).

Utility Pull Box

- Includes lug landing pads on line side and neutral
- Requires cable connection in field to main device; does not include horizontal cross bus

Utility Pull Box ①

Ampere Rating	Feed	Line Side Lug Information	Load Side Lug Information for Cable Connection to Main Disconnect	System Voltage	
				120/240 Vac Single-Phase, Three-Wire Catalog Number	120/208 Vac Three-Phase, Four-Wire Catalog Number
Aluminum Bus (Standard Offering)					
400	Bottom	Crimp lug landing pads (no lugs included)	1/0–750 kcmil or (2) 1/0–300 kcmil	1UGPB400R	3UGPB400R
800	Bottom	Crimp lug landing pads (no lugs included)	(2) 1/0–750 kcmil or (4) 1/0–300 kcmil	1UGPB800R	3UGPB800R
1200	Bottom	Crimp lug landing pads (no lugs included)	(4) #2–600 kcmil	1UGPB1200R	3UGPB1200R
Copper Bus (Premium Offering)					
400	Bottom	Crimp lug landing pads (no lugs included)	1/0–750 kcmil or (2) 1/0–300 kcmil	1UGPB400RC	3UGPB400RC
800	Bottom	Crimp lug landing pads (no lugs included)	(2) 1/0–750 kcmil or (4) 1/0–300 kcmil	1UGPB800RC	3UGPB800RC
1200	Bottom	Crimp lug landing pads (no lugs included)	(4) #2–600 kcmil	1UGPB1200RC	3UGPB1200RC

Main Bolted Pressure Contact Switches

- Add suffix ST to catalog number for shunt trip
- Fuses not included
- 100 kAIC rating on switches with Class L fuses installed

Main Bolted Pressure Contact Switches

Rating	Feed	Class Fuse Clips	Single-Phase, Three-Wire Catalog Number	Three-Phase, Four-Wire Catalog Number	Line Side Lugs and Wire Sizes Minimum or Maximum Wire Size ②
Copper Bus					
1200	Bottom	L	1BPS1200RB	3BPS1200RB	(4) 1/0–750 kcmil or (8) 1/0–300 kcmil
1200	Top	L	1BPS1200RT	3BPS1200RT	(4) 1/0–750 kcmil or (8) 1/0–300 kcmil
1600	Bottom	L	Use three-phase	3BPS1600RB	(6) 1/0–750 kcmil or (12) 1/0–300 kcmil
1600	Top	L	Use three-phase	3BPS1600RT	(6) 1/0–750 kcmil or (12) 1/0–300 kcmil
2000	Bottom	L	Use three-phase	3BPS2000RB	(8) 1/0–750 kcmil or (16) 1/0–300 kcmil
2000	Top	L	Use three-phase	3BPS2000RT	(8) 1/0–750 kcmil or (16) 1/0–300 kcmil
Ground lug			—	—	(5) #6–250 kcmil

Notes

- ① Pull box section includes landing studs for line side compression lugs. Wire sizes refer to load side connection.
- ② Lugs included.

4.3

Metering Products

Group Metering

Main Fusible Switch with Busway Connection

Verify proper left/right–bus/main phasing.

Note: “Right” means that the bus duct is to the right of the main and “left” means that the bus duct is to the left of the main. (See Dimension/Layout section for clarification.)

Using this information, select the correct main device catalog number per the selection chart.

4 Main Fusible Switch with Busway Connection (3MFS...)

Ampere Rating	Internal Ground or Housing Ground	Standard T or TO Opposite Phasing	Right or Left Side	System Voltage 120/208 Vac Three-Phase, Four-Wire Catalog Number
400	Internal	TO	Right	3MFS400BCRGTO
600	Internal	TO	Right	3MFS600BCRGTO
800	Internal	TO	Right	3MFS800BCRGTO
400	Internal	TO	Left	3MFS400BCLGTO
600	Internal	TO	Left	3MFS600BCLGTO
800	Internal	TO	Left	3MFS800BCLGTO
400	Internal	T	Right	3MFS400BCRG T
600	Internal	T	Right	3MFS600BCRG T
800	Internal	T	Right	3MFS800BCRG T
400	Internal	T	Left	3MFS400BCLGT
600	Internal	T	Left	3MFS600BCLGT
800	Internal	T	Left	3MFS800BCLGT
400	Housing	TO	Right	3MFS400BCRNTO
600	Housing	TO	Right	3MFS600BCRNTO
800	Housing	TO	Right	3MFS800BCRNTO
400	Housing	TO	Left	3MFS400BCLNTO
600	Housing	TO	Left	3MFS600BCLNTO
800	Housing	TO	Left	3MFS800BCLNTO
400	Housing	T	Right	3MFS400BCRNT
600	Housing	T	Right	3MFS600BCRNT
800	Housing	T	Right	3MFS800BCRNT
400	Housing	T	Left	3MFS400BCLNT
600	Housing	T	Left	3MFS600BCLNT
800	Housing	T	Left	3MFS800BCLNT

Main Fusible Switch with Busway Connection (3MCB... and 3HMCB...)

Ampere Rating	Internal Ground or Housing Ground	Standard T or TO Opposite Phasing	Right or Left Side	System Voltage 120/208 Vac Three-Phase, Four-Wire Catalog Number
400	Internal	T	Right	3MCB400BCRGT
400	Internal	T	Right	3HMCB400BCRGT
600	Internal	T	Right	3MCB600BCRGT
600	Internal	T	Right	3HMCB600BCRGT
800	Internal	T	Right	3MCB800BCRGT
800	Internal	T	Right	3HMCB800BCRGT
1000	Internal	T	Right	3MCB1000BCRGT
1000	Internal	T	Right	3HMCB1000BCRGT
1200	Internal	T	Right	3MCB1200BCRGT
1200	Internal	T	Right	3HMCB1200BCRGT
400	Internal	T	Left	3MCB400BCLGT
400	Internal	T	Left	3HMCB400BCLGT
600	Internal	T	Left	3MCB600BCLGT
600	Internal	T	Left	3HMCB600BCLGT
800	Internal	T	Left	3MCB800BCLGT
800	Internal	T	Left	3HMCB800BCLGT
1000	Internal	T	Left	3MCB1000BCLGT
1000	Internal	T	Left	3HMCB1000BCLGT
1200	Internal	T	Left	3MCB1200BCLGT
1200	Internal	T	Left	3HMCB1200BCLGT
400	Housing	T	Right	3MCB400BCRNT
400	Housing	T	Right	3HMCB400BCRNT
600	Housing	T	Right	3MCB600BCRNT
600	Housing	T	Right	3HMCB600BCRNT
800	Housing	T	Right	3MCB800BCRNT
800	Housing	T	Right	3HMCB800BCRNT
1000	Housing	T	Right	3MCB1000BCRNT
1000	Housing	T	Right	3HMCB1000BCRNT
1200	Housing	T	Right	3MCB1200BCRNT
1200	Housing	T	Right	3HMCB1200BCRNT
400	Housing	T	Left	3MCB400BCLNT
400	Housing	T	Left	3HMCB400BCLNT
600	Housing	T	Left	3MCB600BCLNT
600	Housing	T	Left	3HMCB600BCLNT
800	Housing	T	Left	3MCB800BCLNT
800	Housing	T	Left	3HMCB800BCLNT
1000	Housing	T	Left	3MCB1000BCLNT
1000	Housing	T	Left	3HMCB1000BCLNT
1200	Housing	T	Left	3MCB1200BCLNT
1200	Housing	T	Left	3HMCB1200BCLNT
400	Internal	TO	Right	3MCB400BCRGTO
400	Internal	TO	Right	3HMCB400BCRGTO
600	Internal	TO	Right	3MCB600BCRGTO
600	Internal	TO	Right	3HMCB600BCRGTO
800	Internal	TO	Right	3MCB800BCRGTO
800	Internal	TO	Right	3HMCB800BCRGTO

Main Fusible Switch with Busway Connection (3MCB... and 3HMCB...), continued

Ampere Rating	Internal Ground or Housing Ground	Standard T or TO Opposite Phasing	Right or Left Side	System Voltage 120/208 Vac Three-Phase, Four-Wire Catalog Number
1000	Internal	TO	Right	3MCB1000BCRGTO
1000	Internal	TO	Right	3HMCB1000BCRGTO
1200	Internal	TO	Right	3MCB1200BCRGTO
1200	Internal	TO	Right	3HMCB1200BCRGTO
400	Internal	TO	Left	3MCB400BCLGTO
400	Internal	TO	Left	3HMCB400BCLGTO
600	Internal	TO	Left	3MCB600BCLGTO
600	Internal	TO	Left	3HMCB600BCLGTO
800	Internal	TO	Left	3MCB800BCLGTO
800	Internal	TO	Left	3HMCB800BCLGTO
1000	Internal	TO	Left	3MCB1000BCLGTO
1000	Internal	TO	Left	3HMCB1000BCLGTO
1200	Internal	TO	Left	3MCB1200BCLGTO
1200	Internal	TO	Left	3HMCB1200BCLGTO
400	Housing	TO	Right	3MCB400BCRNTO
400	Housing	TO	Right	3HMCB400BCRNTO
600	Housing	TO	Right	3MCB600BCRNTO
600	Housing	TO	Right	3HMCB600BCRNTO
800	Housing	TO	Right	3MCB800BCRNTO
800	Housing	TO	Right	3HMCB800BCRNTO
1000	Housing	TO	Right	3MCB1000BCRNTO
1000	Housing	TO	Right	3HMCB1000BCRNTO
1200	Housing	TO	Right	3MCB1200BCRNTO
1200	Housing	TO	Right	3HMCB1200BCRNTO
400	Housing	TO	Left	3MCB400BCLNTO
400	Housing	TO	Left	3HMCB400BCLNTO
600	Housing	TO	Left	3MCB600BCLNTO
600	Housing	TO	Left	3HMCB600BCLNTO
800	Housing	TO	Left	3HMCB800BCLNTO
800	Housing	TO	Left	3HMCB800BCLNTO
1000	Housing	TO	Left	3MCB1000BCLNTO
1000	Housing	TO	Left	3HMCB1000BCLNTO
1200	Housing	TO	Left	3MCB1200BCLNTO
1200	Housing	TO	Left	3HMCB1200BCLNTO

Dimensions

Approximate Dimensions in Inches (mm)

Dimensions (Not to be Used for Construction Purposes)

Main Device	Width A	Height B	Depth C	Mounting D	E	Center Line of Wall Mounting Bracket F	Knockouts in Bottom Endwalls and Top Feed Switch or Bolted Pressure Switch Conduit Diameter		KO Dwg
							Inches	mm	
Terminal Box									
400 and 600 A	13.50 (342.9)	48.75 (1238.3)	7.00 (177.8)	—	54.00 (1371.6)	30.63 (777.9)	(1) 2.50, 3.00, 3.50, 4.00 (1) 0.50	(1) 63.5, 76.2, 88.9, 101.6 (1) 12.7	1
800 and 1200 A	20.00 (508.0)	47.63 (1209.8)	11.75 (298.5)	12.00 (304.8)	51.50 (1308.1)	30.63 (777.9)	(2) 0.50, 0.75, 1.00	(2) 12.1, 19.1, 25.4	8
1600 A	32.88 (835.2)	60.13 (1527.3)	11.44 (290.6)	16.00 (406.4)	64.13 (1628.9)	38.59 (980.2)	(1) 0.75, 1.00, 1.25, 1.50 (5) 3.00, 3.50, 4.00, 5.00	(1) 19.1, 25.4, 31.8, 38.1 (5) 76.2, 88.9, 101.6, 127.0	3
Main Circuit Breaker with Box Lugs									
400–1200 A	20.00 (508.0)	47.63 (1209.8)	11.75 (298.5)	12.00 (304.8)	51.50 (1308.1)	30.63 (777.9)	(2) 0.50, 0.75, 1.00	(2) 12.7, 19.1, 25.4	8
1400–2000 A	24.88 (632.0)	57.13 (1451.0)	14.88 (378.0)	16.00 (406.4)	57.13 (1451.0)	44.00 (1117.6)	—	—	—
Main Circuit Breaker with Compression Lugs									
400–1200 A	20.00 (508.0)	61.00 (1549.4)	11.75 (298.5)	12.00 (304.8)	65.00 (1651.0)	44.00 (1117.6)	(2) 0.50, 0.75, 1.00	(2) 12.7, 19.1, 25.4	8
Main Fusible Switch									
Bottom feed 400–800 A	20.00 (508.0)	47.63 (1209.8)	11.75 (298.5)	12.00 (304.8)	51.50 (1308.1)	30.63 (777.9)	(2) 0.50, 0.75, 1.00	(2) 12.7, 19.1, 25.4	8
Top feed 400–800 A	20.00 (508.0)	47.63 (1209.8)	11.75 (298.5)	12.00 (304.8)	51.50 (1308.1)	18.13 (460.4)	(2) 0.50, 0.75, 1.00	(2) 12.7, 19.1, 25.4	8
1200 A	33.50 (850.9)	52.75 (1339.9)	11.88 (301.8)	16.00 (406.4)	56.25 (1428.8)	30.75 (781.1)	(5) 3.50, 4.00, 5.00 (1) 0.75, 1.00, 1.25, 1.50	(5) 88.9, 101.6, 127.0 (1) 19.1, 25.4, 31.8, 38.1	2
Bolted Pressure Switch									
	36.50 (927.1)	66.50 (1689.1)	19.50 (495.3)	28.00 (711.2)	60.00 (1524.0)	30.63 (777.9)	—	—	—
Main Fusible Switch with Pull Box									
400 A	20.00 (508.0)	61.00 (1549.4)	11.75 (298.5)	12.00 (304.8)	65.00 (1651.0)	44.00 (1117.6)	(2) 0.50, 0.75, 1.00 (4) 2.00, 2.50, 3.00, 3.50, 4.00	(2) 12.7, 19.1, 25.4 (4) 50.8, 63.5, 76.2, 88.9, 101.6	2
600 and 800 A (single-phase)	20.00 (508.0)	61.00 (1549.4)	11.75 (298.5)	12.00 (304.8)	65.00 (1651.0)	44.00 (1117.6)	(2) 0.50, 0.75, 1.00 (4) 2.00, 2.50, 3.00, 3.50, 4.00	(2) 12.7, 19.1, 25.4 (4) 50.8, 63.5, 76.2, 88.9, 101.6	2
600 and 800 A (three-phase)	25.06 (636.5)	61.00 (1549.4)	11.75 (298.5)	17.00 (431.8)	65.00 (1651.0)	44.00 (1117.6)	(2) 0.50, 0.75, 1.00 (4) 2.00, 2.50, 3.00, 3.50, 4.00	(2) 12.7, 19.1, 25.4 (4) 50.8, 63.5, 76.2, 88.9, 101.6	2
1200 A	33.50 (850.9)	61.50 (1562.1)	11.88 (301.8)	16.00 (406.4)	65.25 (1657.4)	48.00 (1219.2)	(5) 3.50, 4.00, 5.00 (1) 0.75, 1.00, 1.25, 1.50	(5) 88.9, 101.6, 127.0 (1) 19.1, 25.4, 31.8, 38.1	2
Main Circuit Breaker with Pull Box (EUSERC)									
400 A	20.01 (508.2)	60.44 (1535.2)	11.14 (283.0)	12.00 (304.8)	65.11 (1653.8)	39.75 (1009.6)	(4) 2.50, 3.00, 3.50, 4.00	(4) 63.5, 76.2, 88.9, 101.6	2
800 A	24.88 (632.0)	60.94 (1547.9)	11.14 (283.0)	17.00 (431.8)	64.88 (1648.0)	39.81 (1011.2)	(4) 2.50, 3.00, 3.50, 4.00	(4) 63.5, 76.2, 88.9, 101.6	2
1200 A	33.00 (838.2)	61.14 (1553.0)	11.32 (287.5)	16.00 (406.4)	65.25 (1657.4)	43.56 (1106.4)	(4) 2.50, 3.00, 3.50, 4.00	(4) 63.5, 76.2, 88.9, 101.6	2
Pull Box									
400 A	16.38 (416.1)	44.88 (1140.0)	7.88 (200.2)	8.00 (203.2)	45.75 (1162.1)	28.63 (727.2)	(2) 4.00	101.6	4
800 A	24.38 (619.3)	46.88 (1190.8)	11.88 (301.8)	12.00 (304.8)	47.75 (1212.9)	32.25 (819.2)	(3) 4.00	101.6	5
1200 A	32.50 (825.5)	56.88 (1444.8)	12.00 (304.8)	17.75 (450.9)	57.75 (1466.9)	42.25 (1073.2)	(4) 5.00	127.0	6
EUSERC Bussed Pull Section									
Single-phase 400 and 800 A	20.13 (511.3)	61.00 (1549.4)	11.25 (285.8)	12.00 (304.8)	64.88 (1648.0)	44.00 (1117.6)	(4) 2.50, 3.00, 3.50, 4.00	(4) 63.5, 76.2, 88.9, 101.6	4
Three-phase 400 and 800 A	25.13 (638.3)	61.00 (1549.4)	11.88 (301.8)	17.00 (431.8)	64.88 (1648.0)	44.00 (1117.6)	(4) 2.50, 3.00, 3.50, 4.00	(4) 63.5, 76.2, 88.9, 101.6	5
EUSERC Main Terminal Box									
Single-phase 400 and 800 A	20.13 (511.3)	61.00 (1549.4)	11.88 (301.8)	12.00 (304.8)	64.88 (1648.0)	44.00 (1117.6)	(2) 0.50, 0.75, 1.00	(2) 12.7, 19.1, 25.4	2
Three-phase 400 A	20.13 (511.3)	61.00 (1549.4)	11.88 (301.8)	12.00 (304.8)	64.88 (1648.0)	44.00 (1117.6)	(4) 2.00, 2.50, 3.00, 3.50, 4.00	(4) 50.8, 63.5, 76.2, 88.9, 101.6	2
Three-phase 800 A	25.13 (638.3)	61.00 (1549.4)	11.88 (301.8)	17.00 (431.8)	64.88 (1648.0)	44.00 (1117.6)	(4) 2.00, 2.50, 3.00, 3.50, 4.00	(4) 50.8, 63.5, 76.2, 88.9, 101.6	2

4.3

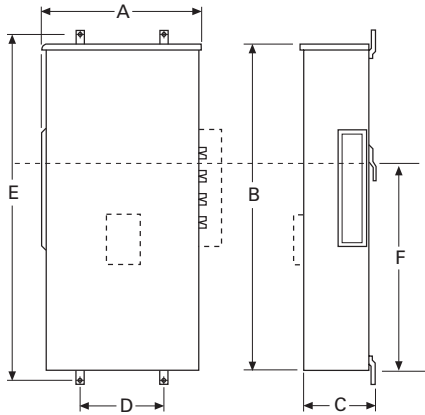
Metering Products

Group Metering

4

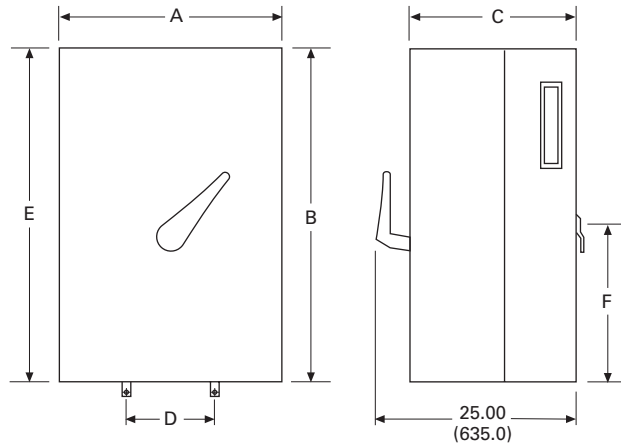
Approximate Dimensions in Inches (mm)

Main Circuit Breakers, Terminal Boxes and Pull Boxes

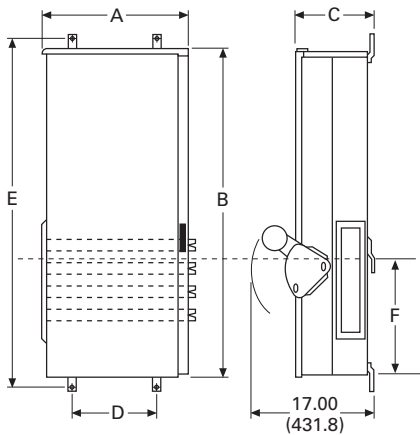


Main CB, Non-Euserc Terminal Box and Pullboxes

Bolted Pressure Switch

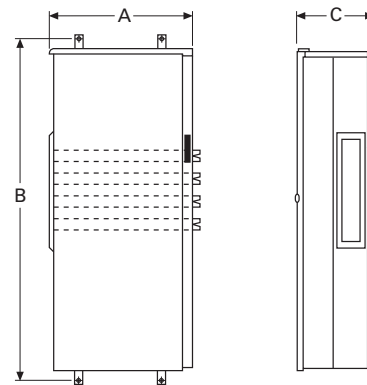


Top Feed Fusible Switch

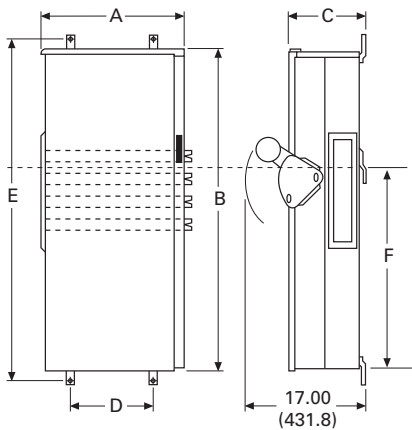


Top Feed Switch (No Knockouts)

EUSERC Main Terminal Box



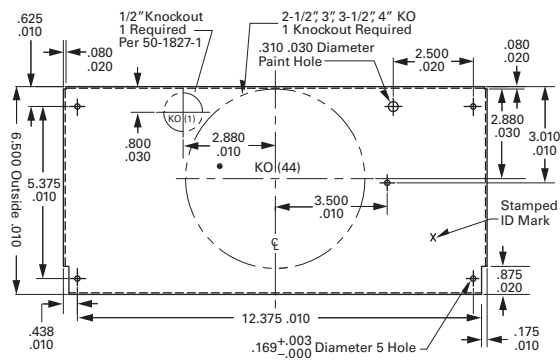
Bottom Feed Fusible Switch and Combination Fusible Switch with Pull Box



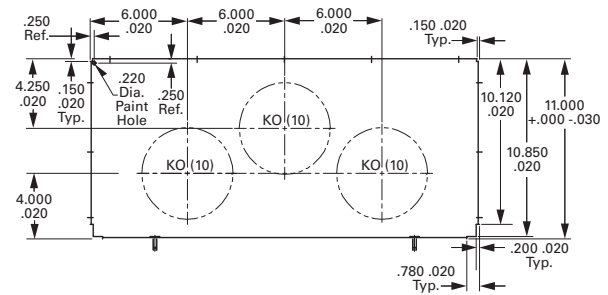
Bottom Feed Switch and Combination Switch/Pullbox

Approximate Dimensions in Inches (mm)

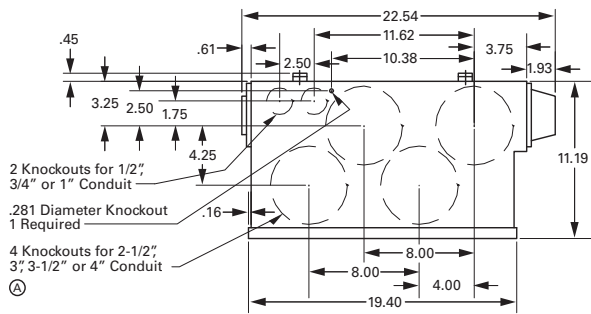
Knockout 1



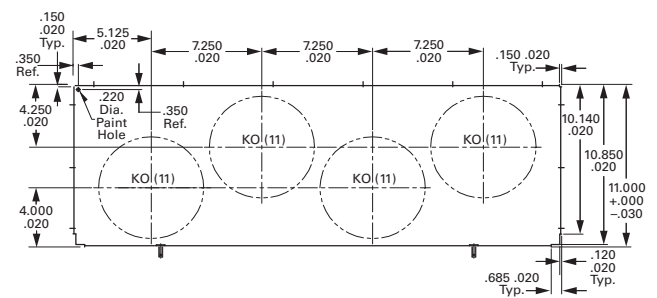
Knockout 5



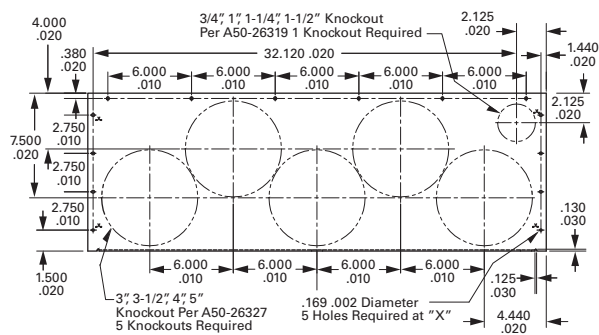
Knockout 2



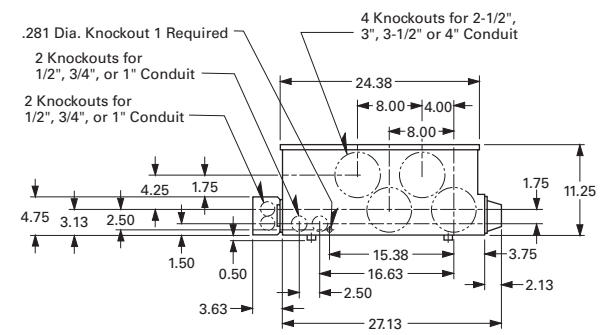
Knockout 6



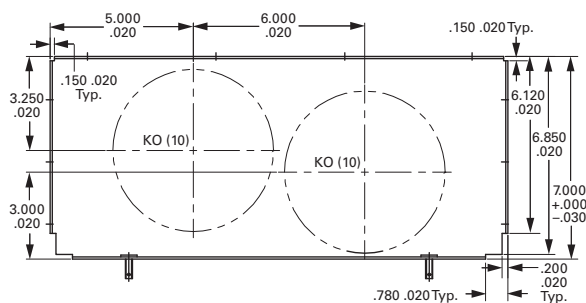
Knockout 3



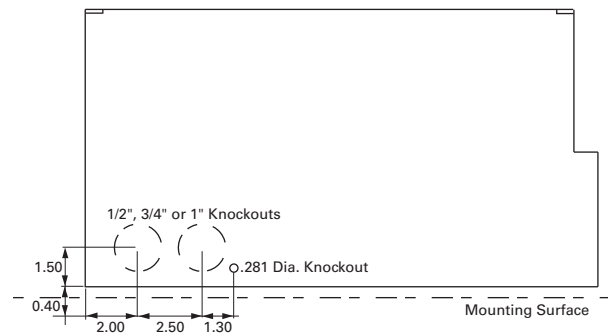
Knockout 7



Knockout 4



Knockout 8



4.3

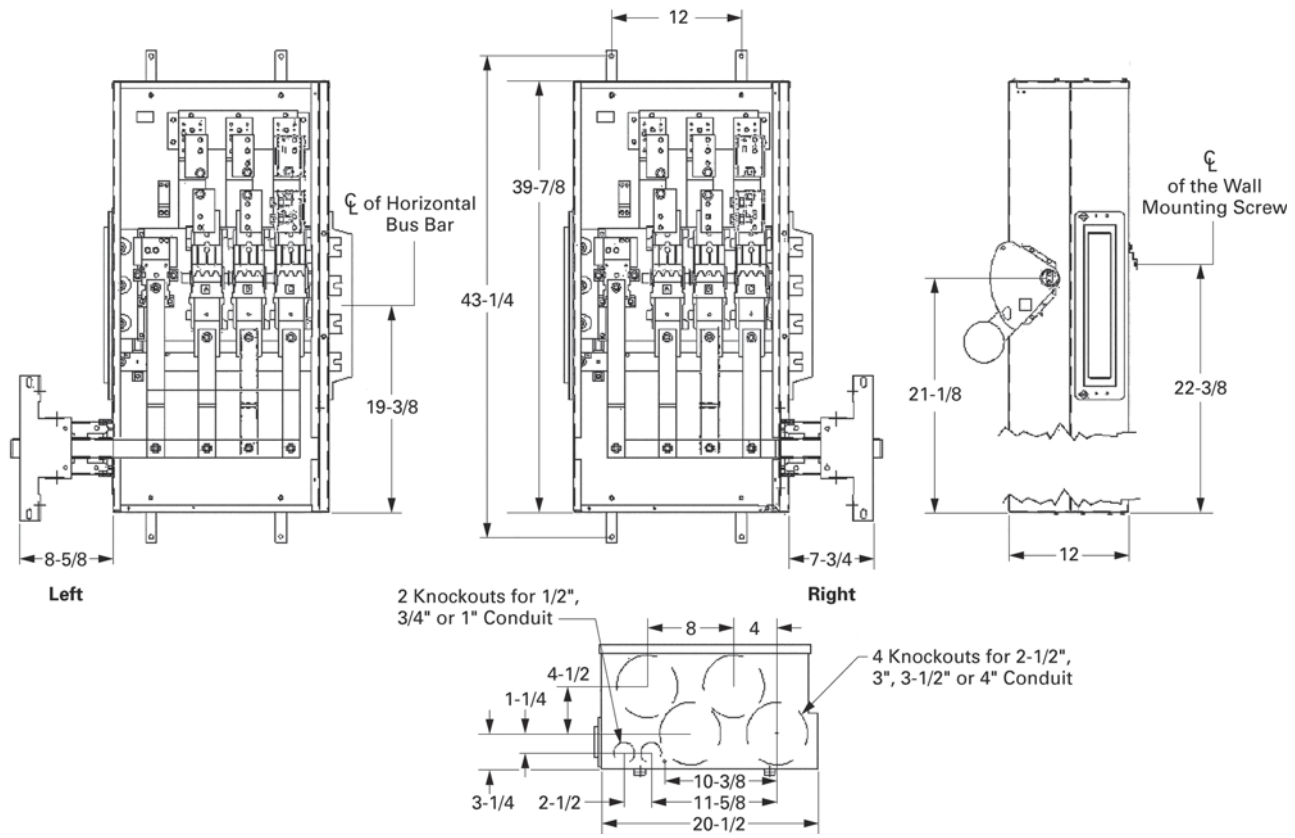
Metering Products

Group Metering

Approximate Dimensions in Inches (mm)

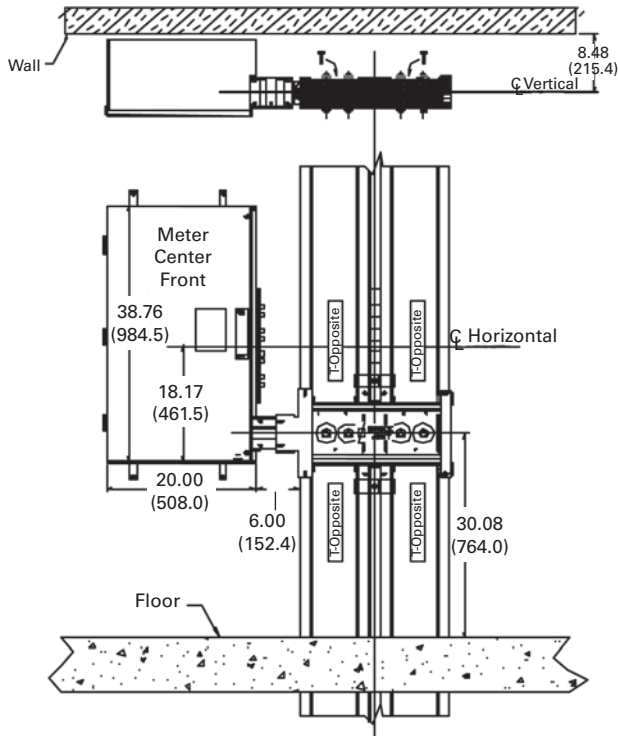
Layout—Main Fusible Switch

4

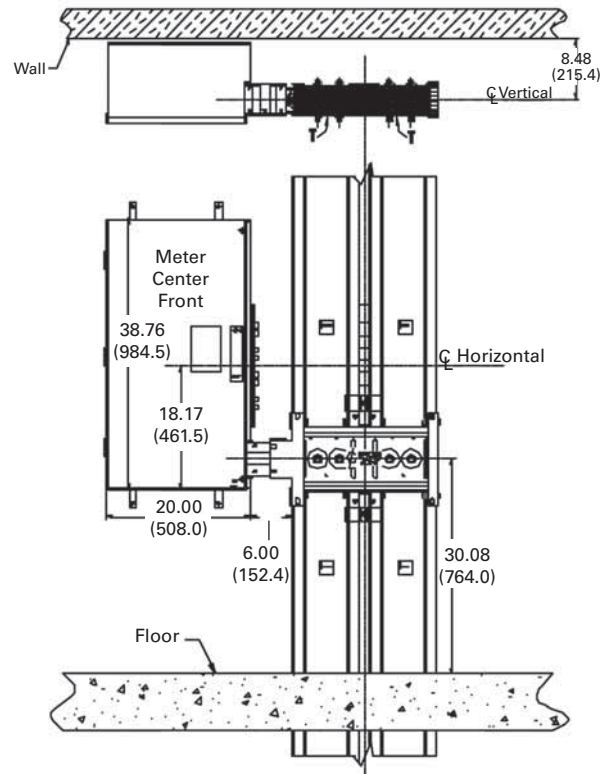


Approximate Dimensions in Inches (mm)

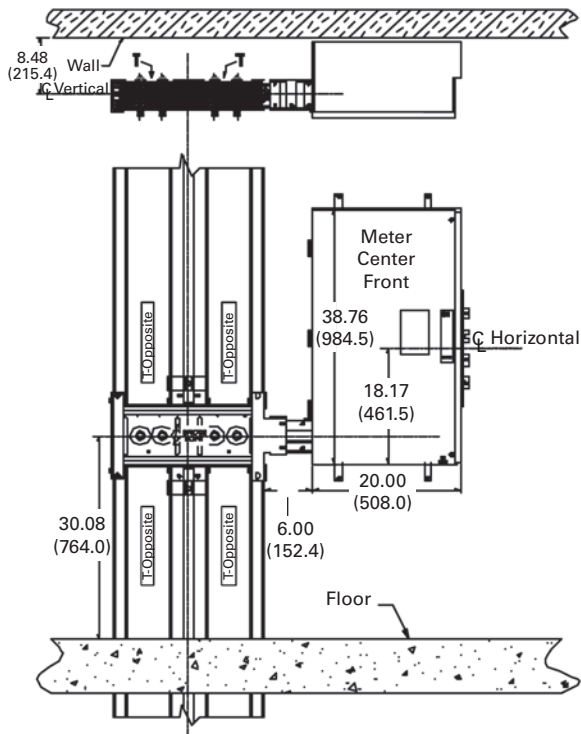
Main Circuit Breaker – “T-Opposite” Phasing Right



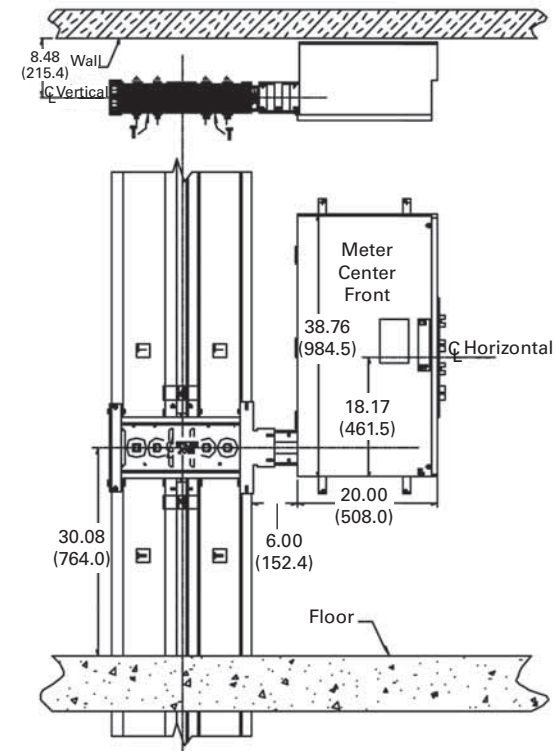
Main Circuit Breaker – “Standard T” Phasing Right



Main Circuit Breaker – “T-Opposite” Phasing Left



Main Circuit Breaker – “Standard T” Phasing Left



1MM and 3MM Metering Stack Modules



Contents

<i>Description</i>	<i>Page</i>
Systems for Residential and Commercial Applications	V1-T4-68
Meter Packs	V1-T4-76
Meter Packs—Tenant Circuit Breakers	V1-T4-88
Main Service Modules	V1-T4-89
Residential Meter Stacks	
Catalog Number Selection	V1-T4-109
Product Selection	V1-T4-110
Technical Data and Specifications	V1-T4-114
Dimensions	V1-T4-115
Commercial Meter Stack Modules	V1-T4-123
35MM, 37MM, 35SS and 37SS Tenant Main Circuit Breakers	V1-T4-130
Phase Balanced Stack	V1-T4-132
Group Metering Inline Current Transformer Cabinets	V1-T4-133
Surge Metering	V1-T4-134
Group Metering Accessories	V1-T4-135

Residential Meter Stacks—(1MP, 1MM and 3MM Tenant Main Circuit Breakers)

Features, Benefits and Functions

A. Barrier

Meter socket and tenant main breaker/wireway sections are separated by a solid metal barrier to guard unmetred bus against power theft.

B. Tenant Breaker

Reliable busbar-to-busbar connection. 200 A modules accept bolt-on breakers 60–200 A. 125 A modules accept 15–125 A plug-on breakers.

C. Moveable Phase Connector

Four-wire horizontal bus lets you use any 3MM module for single- or three-phase incoming service. Shipped with A and B phase connection, phase balancing is easily accomplished in the field by moving one, front-accessible phase connector post per module.

D. Neutral Assembly

A convenient termination for neutral conductors is in the wireway of each module.

E. Enclosed Horizontal Bus

Added security because a non-removable barrier encloses the 800 or 1200 A horizontal bus passing through tenant breaker section.

F. Equipment Ground Bar

Factory installed in side gutter, a standard feature that's moveable to the top or bottom gutter.

G. Raintight Cap

Shipped on each outdoor meter module and main device.

H. Knockouts

Tangential in bottom endwall.

I. Superior Finish

Rust inhibiting phosphate primer and gray baked enamel is standard. All outdoor enclosures are of galvanized steel construction.

J. Meter Socket

Our unique meter socket base is installed without any fasteners—reducing chances for hot spots, easily replaceable, and improves connection to vertical bus.

K. Bus Connection

Mains and modules slip together quickly and smoothly with front-accessible captive bolts securing the juncture without removing socket interiors or bus access plate. Main bus joint bolts torque to 25 foot pounds.

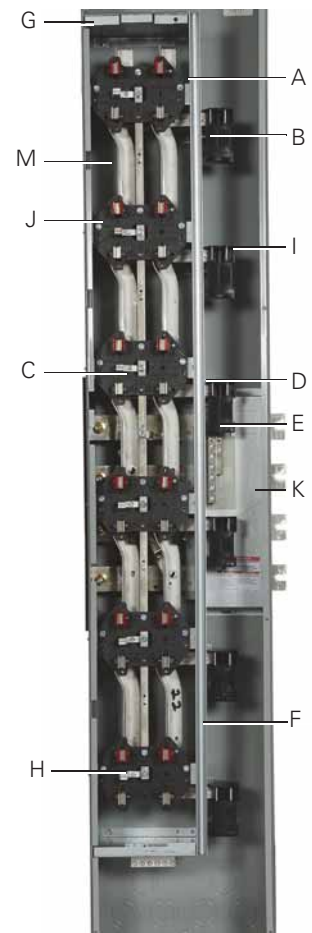
L. Separate Wireway Cover

Separate covers allow easy access to tenant breaker and wireway section, permit work on breakers or in wireway without disturbing meters or meter covers. (Not shown.)

M. Vertical Busbar

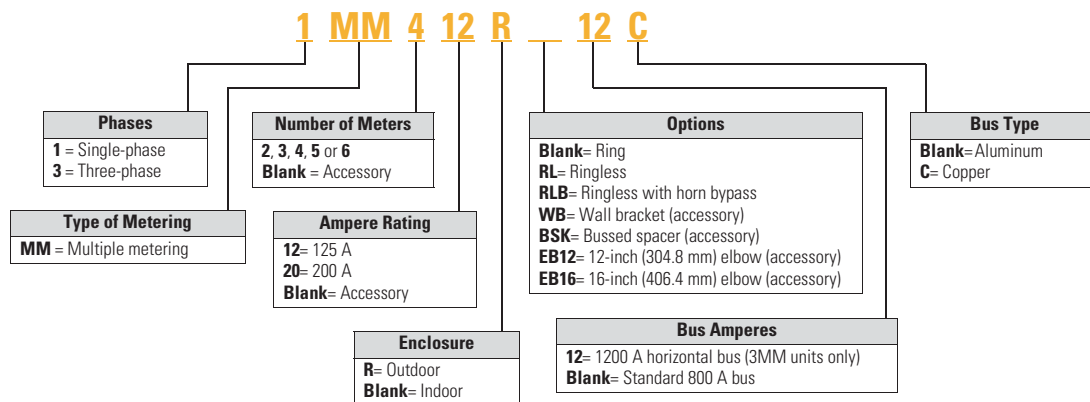
One-piece vertical busbar from phase balancing joints to meter socket eliminating any chance for hot spots.

1MM Meter Stack Module



- Eaton's 1MM stacks are single-phase in, single-phase out design
- Eaton's 3MM stacks are three-phase in, single-phase out design
- Stacks with single-phase horizontal bus are rated 240/120 V, single-phase, three-wire. Stacks with three-phase horizontal bus are rated 208Y/120 V, three-phase, four-wire, but can be used on 240/120 V, three-phase, four-wire delta systems
- All three-phase horizontal bus modules have four-wire cross bus, connected A-B phase to vertical bus, readily reconnectable for phase balance on installation
 - Note:** Individual sockets cannot be phase balanced, only each stack.
- Short-circuit ratings up to 100,000 A rms symmetrical depending upon AIC rating of installed main tenant circuit breakers and main device
- Main tenant feeders can exit bottom or back. Knockouts are available at all exit locations
- If being used in outdoor application and exiting the top, mount Myer type hubs on rainproof cap
- Provision for two-pole breaker (plug-on type for 125 A sockets and bolt-on type for 200 A sockets)—circuit breakers not included
- Mechanically and electrically built to bolt-up with main service modules and commercial modular metering stacks
- Aluminum or copper bus
- 800 or 1200 A horizontal bus
- All 3MM stacks include fifth jaw at 9 o'clock position
- All 1MM stacks do not include fifth jaw. Order 1MM5JK if needed

Catalog Number Selection



When Ordering:

- Determine catalog number of Main Service Module.
- Determine catalog number of Meter Stack (Residential or Commercial).
- Find quantity and catalog numbers for tenant circuit breakers (found on **Page V1-T4-125** or **V1-T4-131**). Order one breaker per socket.
- If any accessories are needed, order from **Pages V1-T4-136** and **V1-T4-137**.

Product Selection

1MM and 3MM
Metering Stack
Modules



4

800 A Horizontal Aluminum Bus—Standard Offering

Amperes Per Meter Socket	Number of Meter Sockets	Bus Ampacity	Enclosure Type ^①	Main Tenant Breaker Type (For Specific Catalog Numbers, Refer to Page V1-T4-125)	Single-Phase In, Single-Phase Out	Three-Phase In, Single-Phase Out
					Single-Phase Horizontal Bus (Three Horizontal Busbars—A, B and Neutral) ^② Catalog Number	Three-Phase Horizontal Bus (Four Horizontal Busbars—A, B, C and Neutral) Catalog Number
Ring Style Meter Socket Covers ^③						
125 ^④	2 ^⑤	800	Indoor/outdoor	Plug-on type	Use three-phase	3MM212R
	3 ^⑤	800	Indoor/outdoor	BR2_ BRH2_	1MM312R	3MM312R
	4	800	Indoor/outdoor	BRHH2_ BRX2_	1MM412R	3MM412R
	5	800	Indoor/outdoor		1MM512R	3MM512R
	6	800	Indoor/outdoor		1MM612R	3MM612R
	200 ^⑥	2	800	Outdoor	Bolt-on type	Use three-phase
3		800	Outdoor	CCV2_X CCVH2_X	1MM320R	3MM320R
4		800	Outdoor	CVS2_XMM CV2_XMM	1MM420R	3MM420R
5		800	Outdoor	CVH2_XMM	1MM520R ^⑦	3MM520R ^⑧
Ringless Style Meter Socket Covers						
125	2	800	Outdoor	Plug-on type	Use three-phase	3MM212RRL
	3	800	Outdoor	BR2_ BRH2_	1MM312RRL	3MM312RRL
	4	800	Outdoor	BRHH2_ BRX2_	1MM412RRL	3MM412RRL
	5	800	Outdoor		1MM512RRL	3MM512RRL
	6	800	Outdoor		1MM612RRL	3MM612RRL
	200	2	800	Outdoor	Bolt-on type	Use three-phase
3		800	Outdoor	CCV2_X CCVH2_X	1MM320RRL	3MM320RRL
4		800	Outdoor	CVS2_XMM CV2_XMM	1MM420RRL	3MM420RRL
5		800	Outdoor	CVH2_XMM	1MM520RRL ^⑦	3MM520RRL ^⑧
Ringless Style Covers with Horn Bypass						
125	2	800	Outdoor	Plug-on type	Use three-phase	3MM212RRLB
	3	800	Outdoor	BR2_ BRH2_	1MM312RRLB	3MM312RRLB
	4	800	Outdoor	BRHH2_ BRX2_	1MM412RRLB	3MM412RRLB
	5	800	Outdoor		1MM512RRLB	3MM512RRLB
	6	800	Outdoor		1MM612RRLB	3MM612RRLB
	200	2	800	Outdoor	Bolt-on type	Use three-phase
3		800	Outdoor	CCV2_X CCVH2_X	1MM320RRLB	3MM320RRLB
4		800	Outdoor	CVS2_XMM CV2_XMM	1MM420RRLB	3MM420RRLB
5		800	Outdoor	CVH2_XMM	1MM520RRLB ^⑦	3MM520RRLB ^⑧

Notes

- ① For indoor applications where a top endwall with knockouts is needed, order one of part number **MM12N1WLK** for each 125 A stack or **MM20N1WLK** for each 200 A stack.
- ② 1MM units do not come with 5th jaw.
- ③ Reference drawing EUSERC DWG-G1, G2, G3.
- ④ To change in field from ring to ringless—order **1MMRC125**.
- ⑤ To change in field from ring to ringless, the top socket in 125 A, two- and three-high stacks use **1MMRC125T**. Top socket only—other sockets see ④.
- ⑥ To change in field from ring to ringless—order **1MMRC200**.
- ⑦ Check with local utility for height requirements or restrictions.

800 A Horizontal Copper Bus—Premium Offering

Amperes Per Meter Socket	Number of Meter Sockets	Bus Ampacity	Enclosure Type ①	Main Tenant Breaker Type (For Specific Catalog Numbers, Refer to Page V1-T4-125)	Single-Phase In, Single-Phase Out Single-Phase Horizontal Bus (Three Horizontal Busbars—A, B, C and Neutral) ② Catalog Number	Three-Phase In, Single-Phase Out Three-Phase Horizontal Bus (Four Horizontal Busbars—A, B, C and Neutral) Catalog Number
Ring Style Meter Socket Covers ③						
125 ④	2 ⑤	800	Outdoor	Plug-on type BR2_	Use three-phase	3MM212RC
	3 ⑤	800	Outdoor	BRH2_	1MM312RC	3MM312RC
	4	800	Outdoor	BRHH2_	1MM412RC	3MM412RC
	5	800	Outdoor	BRX2_	1MM512RC	3MM512RC
	6	800	Outdoor		1MM612RC	3MM612RC
200 ⑥	2	800	Outdoor	Bolt-on type CCV2_X	Use three-phase	3MM220RC
	3	800	Outdoor	CCVH2_X	1MM320RC	3MM320RC
	4	800	Outdoor	CVS2_XMM	1MM420RC	3MM420RC
	5	800	Outdoor	CV2_XMM CVH2_XMM	1MM520RC ⑦	3MM520RC ⑥
Ringless Style Meter Socket Covers						
125	2	800	Outdoor	Plug-on type BR2_	Use three-phase	3MM212RRLC
	3	800	Outdoor	BRH2_	1MM312RRLC	3MM312RRLC
	4	800	Outdoor	BRHH2_	1MM412RRLC	3MM412RRLC
	5	800	Outdoor	BRX2_	1MM512RRLC	3MM512RRLC
	6	800	Outdoor		1MM612RRLC	3MM612RRLC
200	2	800	Outdoor	Bolt-on type CCV2_X	Use three-phase	3MM220RRLC
	3	800	Outdoor	CCVH2_X	1MM320RRLC	3MM320RRLC
	4	800	Outdoor	CVS2_XMM	1MM420RRLC	3MM420RRLC
	5	800	Outdoor	CV2_XMM CVH2_XMM	1MM520RRLC ⑦	3MM520RRLC ⑥
Ringless Style Covers with Horn Bypass						
125	2	800	Outdoor	Plug-on type BR2_	Use three-phase	3MM212RRLBC
	3	800	Outdoor	BRH2_	1MM312RRLBC	3MM312RRLBC
	4	800	Outdoor	BRHH2_	1MM412RRLBC	3MM412RRLBC
	5	800	Outdoor	BRX2_	1MM512RRLBC	3MM512RRLBC
	6	800	Outdoor		1MM612RRLBC	3MM612RRLBC
200	2	800	Outdoor	Bolt-on type CCV2_X	Use three-phase	3MM220RRLBC
	3	800	Outdoor	CCVH2_X	1MM320RRLBC	3MM320RRLBC
	4	800	Outdoor	CVS2_XMM	1MM420RRLBC	3MM420RRLBC
	5	800	Outdoor	CV2_XMM CVH2_XMM	1MM520RRLBC ⑦	3MM520RRLBC ⑥

Notes

- ① For indoor applications where a top endwall with knockouts is needed, order (1) of part number **MM12N1WLK** for each 125 A stack or **MM20N1WLK** for each 200 A stack.
- ② 1MM units do not come with 5th jaw.
- ③ Reference drawing EUSERC DWG-G1, G2, G3.
- ④ To change in field from ring to ringless—order **1MMRC125**.
- ⑤ To change in field from ring to ringless, the top socket in 125 A, two- and three-high stacks use **1MMRC125T**. Top socket only—other sockets see ④.
- ⑥ To change in field from ring to ringless—order **1MMRC200**.
- ⑦ Check with local utility for height requirements or restrictions.

1MM and 3MM Metering Stack Modules



4

1200 A Horizontal Aluminum Bus—Standard Offering

Amperes Per Meter Socket	Number of Meter Sockets	Bus Ampacity	Enclosure Type ^①	Main Tenant Breaker Type (For Specific Catalog Numbers, Refer to Page V1-T4-118)	Three-Phase In, Single-Phase Out Three-Phase Horizontal Bus (Four Horizontal Busbars—A, B, C and Neutral) Catalog Number
Ring Style Meter Socket Covers ^②					
125 ^③	2 ^④	1200	Indoor/outdoor	Plug-on type	3MM212R12
	3 ^④	1200	Indoor/outdoor	BR2_ BRH2_	3MM312R12
	4	1200	Indoor/outdoor	BRHH2_	3MM412R12
	5	1200	Indoor/outdoor	BRX2_ BRHX2_	3MM512R12
	6	1200	Indoor/outdoor		3MM612R12
	200 ^⑤	2	1200	Outdoor	Bolt-on type CCV2_X
3		1200	Outdoor	CCVH2_X	3MM320R12
4		1200	Outdoor	CVS2_XMM CV2_XMM	3MM420R12
5		1200	Indoor/outdoor	CVH2_XMM	3MM520R12
Ringless Style Meter Socket Covers (5th Jaw at 9 o'Clock Standard—Field Adjustable to 3 or 6 o'Clock)					
125	2	1200	Outdoor	Plug-on type	3MM212R12RL
	3	1200	Outdoor	BR2_ BRH2_	3MM312R12RL
	4	1200	Outdoor	BRHH2_	3MM412R12RL
	5	1200	Outdoor	BRX2_ BRHX2_	3MM512R12RL
	6	1200	Outdoor		3MM612R12RL
	200	2	1200	Outdoor	Bolt-on type CCV2_X
3		1200	Outdoor	CCVH2_X	3MM320R12RL
4		1200	Outdoor	CVS2_XMM CV2_XMM	3MM420R12RL
5		1200	Outdoor	CVH2_XMM	3MM520R12RL
Ringless Style Covers with Horn Bypass (5th Jaw at 9 o'Clock Standard—Field Adjustable to 3 or 6 o'Clock)					
125	2	1200	Outdoor	Plug-on type	3MM212R12RLB
	3	1200	Outdoor	BR2_ BRH2_	3MM312R12RLB
	4	1200	Outdoor	BRHH2_	3MM412R12RLB
	5	1200	Outdoor	BRX2_ BRHX2_	3MM512R12RLB
	6	1200	Outdoor		3MM612R12RLB
	200	2	1200	Outdoor	Bolt-on type CCV2_X
3		1200	Outdoor	CCVH2_X	3MM320R12RLB
4		1200	Outdoor	CVS2_XMM CV2_XMM	3MM420R12RLB
5		1200	Outdoor	CVH2_XMM	3MM520R12RLB

Notes

- ① For indoor applications where a top endwall with knockouts is needed, order (one) of part number **MM12N1WLK** for each 125 A stack or **MM20N1WLK** for each 200 A stack.
- ② Reference drawing EUSERC DWG-G1, G2, G3.
- ③ To change in field from ring to ringless—order **1MMRC125**.
- ④ To change in field from ring to ringless, the top socket in 125 A, two- and three-high stacks use **1MMRC125T**. Top socket only—other sockets see ③.
- ⑤ To change in field from ring to ringless—order **1MMRC200**.

1200 A Horizontal Copper Bus—Premium Offering

Three-Phase In, Single-Phase Out
Three-Phase Horizontal Bus
(Four Horizontal Busbars—
A, B, C and Neutral)
Catalog Number

Amperes Per Meter Socket	Number of Meter Sockets	Bus Ampacity	Enclosure Type ①	Main Tenant Breaker Type (For Specific Catalog Numbers, Refer to Page V1-T4-118)	
Ring Style Meter Socket Covers ②					
125 ③	2 ④	1200	Indoor/outdoor	Plug-on type	3MM212R12C
	3 ④	1200	Indoor/outdoor	BR2_ BRH2_	3MM312R12C
	4	1200	Indoor/outdoor	BRHH2_	3MM412R12C
	5	1200	Indoor/outdoor	BRX2_ BRHX2_	3MM512R12C
	6	1200	Indoor/outdoor		3MM612R12C
	200 ⑤	2	1200	Outdoor	Bolt-on type
3		1200	Outdoor	CCV2_X CCVH2_X	3MM320R12C
4		1200	Outdoor	CVS2_XMM	3MM420R12C
5		1200	Outdoor	CV2_XMM CVH2_XMM	3MM520R12C
Ringless Style Meter Socket Covers (5th Jaw at 9 o'Clock Standard—Field Adjustable to 3 or 6 o'Clock)					
125	2	1200	Outdoor	Plug-on type	3MM212R12RLC
	3	1200	Outdoor	BR2_ BRH2_	3MM312R12RLC
	4	1200	Outdoor	BRHH2_	3MM412R12RLC
	5	1200	Outdoor	BRX2_ BRHX2_	3MM512R12RLC
	6	1200	Outdoor		3MM612R12RLC
	200	2	1200	Outdoor	Bolt-on type
3		1200	Outdoor	CCV2_X CCVH2_X	3MM320R12RLC
4		1200	Outdoor	CVS2_XMM	3MM420R12RLC
5		1200	Outdoor	CV2_XMM CVH2_XMM	3MM520R12RLC
Ringless Style Covers with Horn Bypass (5th Jaw at 9 o'Clock Standard—Field Adjustable to 3 or 6 o'Clock)					
125	2	1200	Outdoor	Plug-on type	3MM212R12RLBC
	3	1200	Outdoor	BR2_ BRH2_	3MM312R12RLBC
	4	1200	Outdoor	BRHH2_	3MM412R12RLBC
	5	1200	Outdoor	BRX2_ BRHX2_	3MM512R12RLBC
	6	1200	Outdoor		3MM612R12RLBC
	200	2	1200	Outdoor	Bolt-on type
3		1200	Outdoor	CCV2_X CCVH2_X	3MM320R12RLBC
4		1200	Outdoor	CVS2_XMM	3MM420R12RLBC
5		1200	Outdoor	CV2_XMM CVH2_XMM	3MM520R12RLBC

Notes

- ① For indoor applications where a top endwall with knockouts is needed, order (one) of part number **MM12N1WLK** for each 125 A stack or **MM20N1WLK** for each 200 A stack.
- ② Reference drawing EUSERC DWG-G1, G2, G3.
- ③ To change in field from ring to ringless—order **1MMRC125**.
- ④ To change in field from ring to ringless, the top socket in 125 A, two- and three-high stacks use **1MMRC125T**. Top socket only—other sockets see ③.
- ⑤ To change in field from ring to ringless—order **1MMRC200**.

Technical Data and Specifications

Wire Sizes—Neutral and Ground Lugs

- Each stack includes a neutral and ground bar
- If an extra ground bar is needed, order **1MMGBK**

Wire Sizes—Neutral and Ground Lugs

Lugs in Meter Socket Modules	Wire Size, Al/Cu
Branch neutral—125 A socket module	#6–2/0 kcmil
Branch neutral—200 A socket module	#1/0–300 kcmil
Equipment ground bar—125 A socket module	#14–#2 kcmil
Equipment ground bar—200 A socket module	#14–2/0 kcmil
Optional ground bar (1MMGBK)	#6–2/0 kcmil

Notes

- ① For indoor applications where a top endwall with knockouts is needed, order (one) of part number **MM12N1WLK** for each 125 A stack or **MM20N1WLK** for each 200 A stack.
- ② Reference drawing EUSERC DWG-G1, G2, G3.
- ③ To change in field from ring to ringless—order **1MMRC125**.
- ④ To change in field from ring to ringless, the top socket in 125 A, two- and three-high stacks use **1MMRC125T**. Top socket only—other sockets see ③.
- ⑤ To change in field from ring to ringless—order **1MMRC200**.

Phase Balancing

All 3MM meter modules come factory connected to phase A and B, per Figure A. When connected to a 208Y/120 Vac three-phase, four-wire system, field phase balancing of two out of every three stacks is required. One of every three stacks should be phased AC, per Figure B, and one of every three stacks should be phased CB, per Figure C.

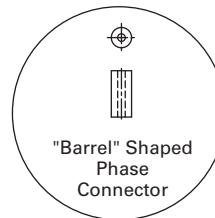
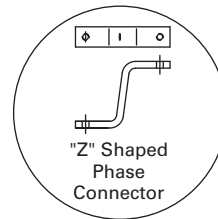
Examples:

Nine Total Positions—use (three) three-position stacks and phase one per Figure B (A-C phasing) and one per Figure C (C-B phasing).

16 Total Positions—use (two) five-position and (two) three-position stacks. Phase balance (one) five-position per Figure B (A-C phasing) and (one) five-position per Figure C (C-B phasing).

19 Total Positions—where four-position maximum height is allowed by utility. Use (one) four-position and (five) three-position stacks. Phase balance (two) three-position stacks per Figure B (A-C phasing) and (two) three-position stacks per Figure C (C-B phasing).

"Z" Shaped and "Barrel" Shaped Phase Connector

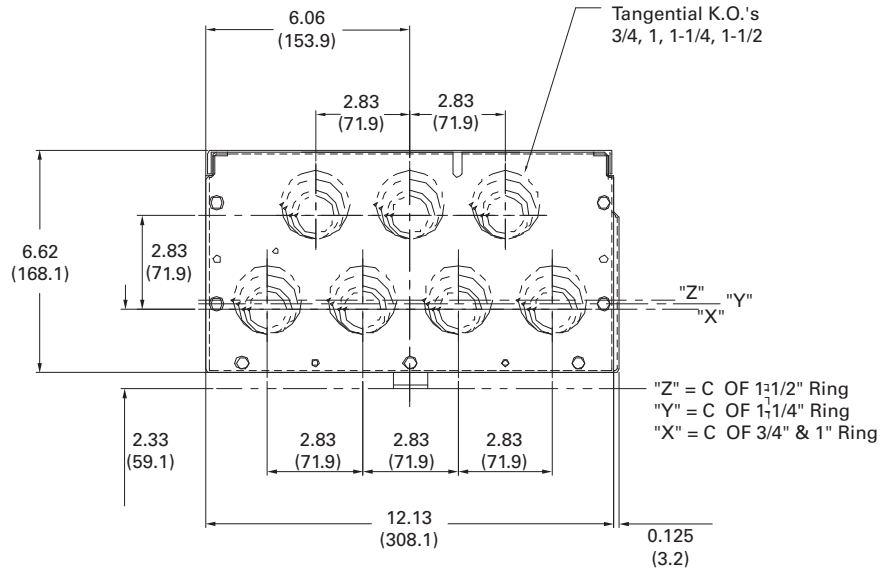
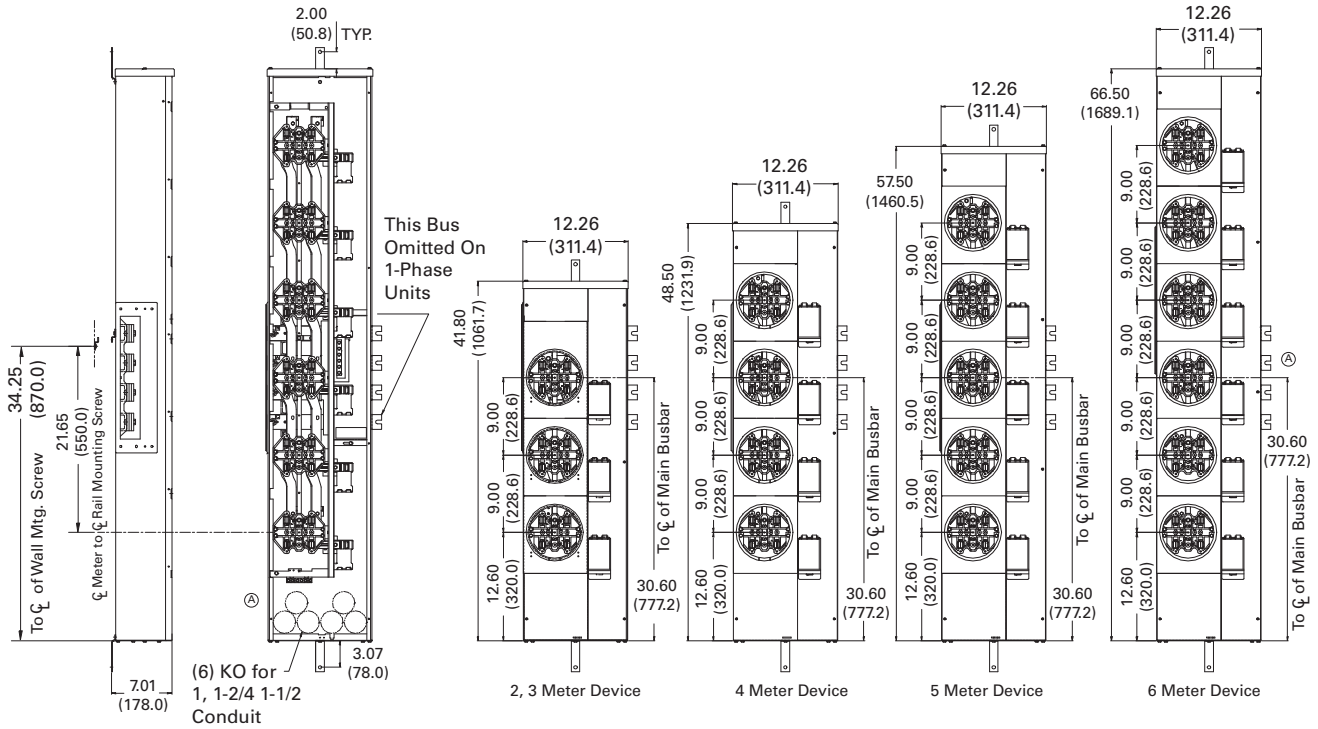


Dimensions

Approximate Dimensions in Inches (mm)

Modular Metering Stacks—Aluminum and Copper

3-High, 4-High, 5-High and 6-High, 125 Amperes, 1MM, 3MM



Top End & Bottom End View for NEMA 1;
Bottom End View for NEMA 3R

Note: Dimensions Apply to 800 and 1200 Ampere Horizontal Bus.

4.3

Metering Products

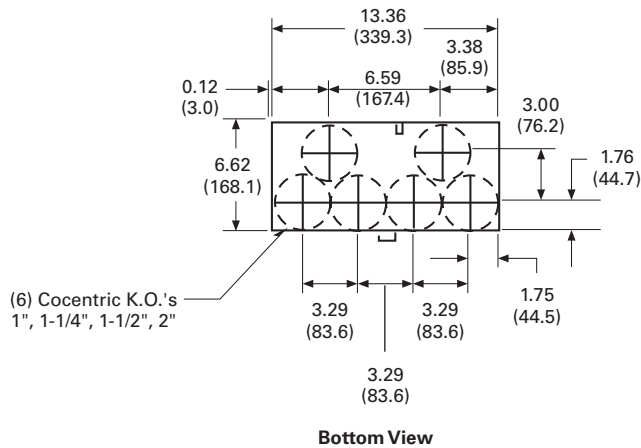
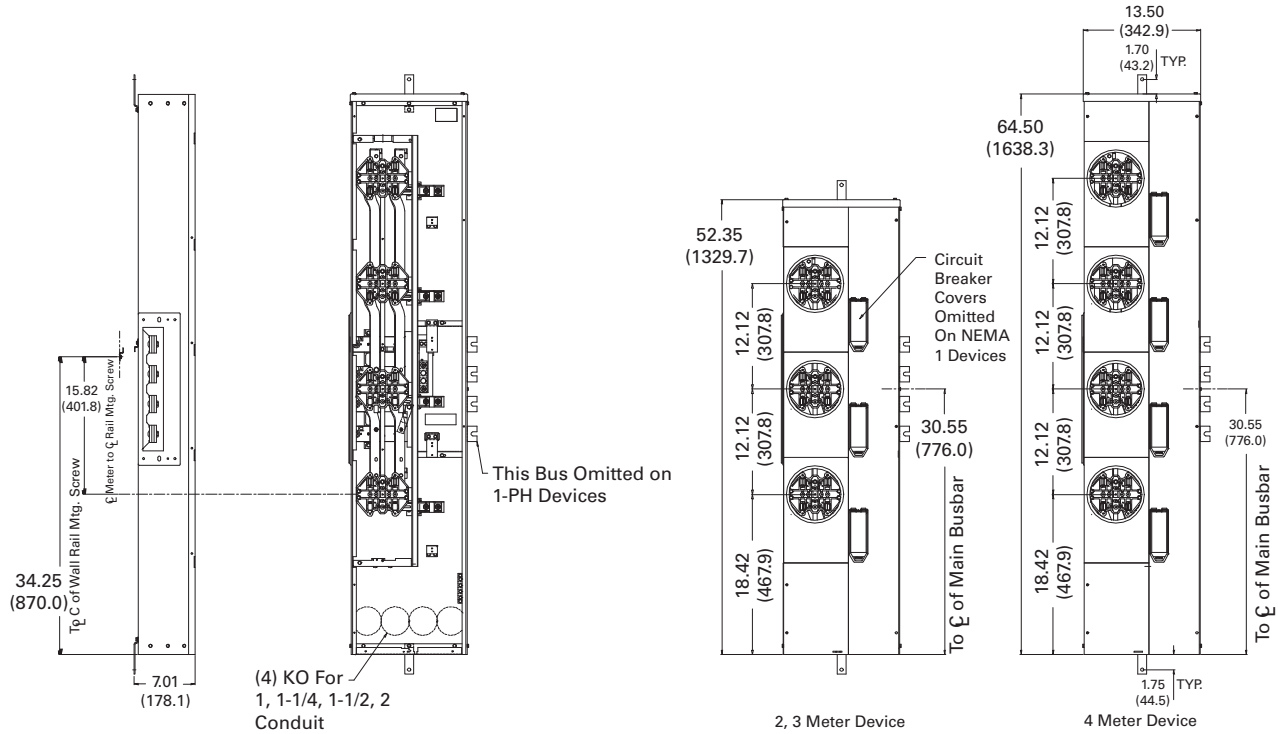
Group Metering

Approximate Dimensions in Inches (mm)

Modular Metering Stacks—Aluminum and Copper

3-High and 4-High, 200 Amperes, 1MM, 3MM

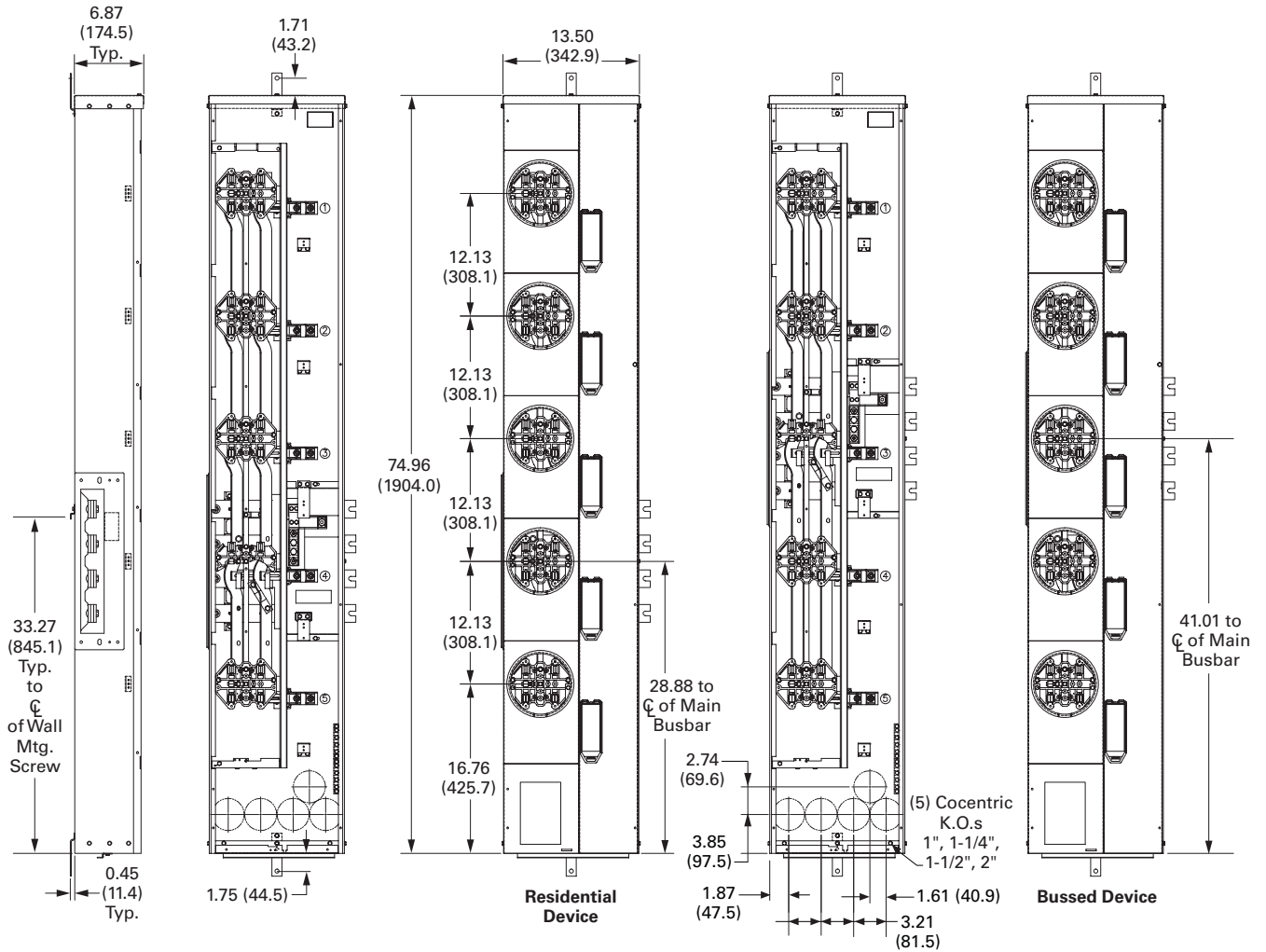
4



Note: Dimensions Apply to 800 and 1200 Ampere Horizontal Bus.

Approximate Dimensions in Inches (mm)

5-High, 200 Amperes, 1MM and 3MM Metering



Note: The Bussed meter stack device shown on the far right of the figure, must be used on Mains with Busway connections, found on Pages V1-T4-100 and V1-T4-106. Please contact factory for catalog numbers associated with Bussed meter stack devices.

Type BR Tenant Main Circuit Breaker



Type BR 120/240 V

Product Overview

Eaton offers Type BR family of circuit breakers as the plug-on tenant main breakers used in group metering applications.

Product Description

Eaton's residential products Type BR circuit breaker is available in a two-pole configuration for group metering applications from 60 A to 125 A in 10, 22, 42 and 65 kAIC ratings.

Contents

Description

	<i>Page</i>
Systems for Residential and Commercial Applications	V1-T4-68
Meter Packs	V1-T4-76
Meter Packs—Tenant Circuit Breakers	V1-T4-88
Main Service Modules	V1-T4-89
Residential Meter Stacks	V1-T4-108
Commercial Meter Stack Modules	V1-T4-123
35MM, 37MM, 35SS and 37SS Tenant Main Circuit Breakers	V1-T4-130
Phase Balanced Stack	V1-T4-132
Group Metering Inline Current Transformer Cabinets	V1-T4-133
Surge Metering	V1-T4-134
Group Metering Accessories	V1-T4-135

Features

- **Ratings**—120/240 Vac, two-pole, through 125 A continuous amperages, calibrated at 40 °C
- **Tripping characteristics**—thermal-magnetic trip
- **Interrupting capacity** at 120/240 Vac
 - BR—10,000 A rms symmetrical
 - BRH—22,000 A rms symmetrical
 - BRHX—22,000 A rms symmetrical
 - BRHH—42,000 A rms symmetrical
 - BRX—65,000 A rms symmetrical
- **Handles**—trip-free with ON-TRIPPED-OFF positions. Reset past OFF is required to latch breaker contacts after tripping
- **Terminals**—standard lugs (wire connectors) suitable for copper or aluminum wire

Standards and Certifications

- Complies with UL Standard 489. Breakers are listed under UL File #E7819



Product Selection



Type BR 120/240 V Tenant Main Circuit Breakers

Description	Number of Poles	Main Tenant Circuit Breaker Ampere Rating	10 kAIC Catalog Number	22 kAIC Catalog Number	22 kAIC ① Catalog Number	42 kAIC Catalog Number	65 kAIC Catalog Number	100 kAIC Catalog Number
Plug-On Type								
Plug-on type circuit breakers used with 1MP, 1MM, and 3MM 125 A modular metering stacks	2	60	BR260	BRH260	BRHX260	BRHH260	BRX260	—
	2	70	BR270	BRH270	BRHX270	BRHH270	BRX270	—
	2	80	BR280	BRH280	BRHX280	BRHH280	BRX280	—
Wire Sizes								
#8–1/0 Cu/Al—for 60–100 A	2	90	BR290	BRH290	BRHX290	BRHH290	BRX290	—
Only exception is BRX, which is #8–2/0 Cu/Al	2	100	BR2100	BRH2100	BRHX2100	BRHH2100	BRX2100	—
#8–2/0 Cu/Al—for 125 A	2	110	BR2110	BRH2110	BRHX2110	BRHH2110	BRX2110	—
	2	125	BR2125	BRH2125	BRHX2125	BRHH2125	BRX2125	—

Field Installable Lug Kits for 1MM and 3MM Tenant Main Circuit Breakers
(For use with Residential Meter Stacks to account for bigger wire sizes)

BR40LUG



Description	Catalog Number
4/0 Lug adapter—accommodates 3/0–4/0	BR40LUG

BR40NEU



4/0 Neutral bar adapter—accommodates #1–4/0	BR40NEU
---	---------

Up-sized ground bar kit	1MMGBK
Two-pole 300 kcmil with terminal shield	2TA225CVK
Three-pole 300 kcmil with terminal shield	3TA225CVK
Replacement mounting hardware kit for 200 A 1MP, 1MM and 3MM units	1MMCBK

Wire Sizes—Neutral and Ground Lugs

Description	Wire Size, Al/Cu	Catalog Number
Neutral—125 A meter pack	#6–2/0	—
Neutral—200 A meter pack	#1/0–300 kcmil	—
Equipment ground bar—125 A meter pack	#14–#2	—
Equipment ground bar—200 A meter pack	#14–2/0	—
Optional ground bar	#6–2/0	1MMGBK

BR40LUG Compatibility Chart

Type	60 A	70 A	80 A	90 A	100 A	110 A	125 A
BR	—	—	—	—	—	BR2110	BR2125
BRH	—	—	—	—	—	BRH2110	BRH2125
BRHX	—	—	—	—	—	BRHX2110	BRHX2125
BRHH	—	—	—	—	—	BRHH2110	BRHH2125
BRX	BRX260	BRX270	BRX280	BRX290	BRX2100	BRX2110	BRX2125

Other Notes for Lug Kits

Notes: The lug adapter kit can be used in 1MM and 3MM 3- through 6-socket 125 A modular metering stacks. Only intended for use in bottom- and rear-feed applications. Four adapters can be used per meter stack.

Notes

- ① Only to be used in 3-tier solution requiring a 65 kAIC rated main breaker (up to 2000 A) upstream.
- ① This kit comes with three pads for two lines and neutral. Each pad will accept one or two crimp lugs. Cannot be used on 1MP2122R, RL, RC and RLB EUSERC underground termination.
- ② This lug is not UL listed.

Each stack includes a neutral and ground bar. If an extra ground bar is needed, order 1MMGBK.

Type CCV Tenant Main Circuit Breaker



Type CCV 120/240 V

Product Overview

Eaton offers Type CCV (10 and 22 kAIC) and Type CV (42, 65 and 100 kAIC) family of circuit breakers as the primary tenant main breakers used in most group metering applications.

Product Description

Eaton's residential products Type CCV circuit breaker is available in two-pole configurations from 100 A to 225 A in 10 and 22 kAIC ratings.

Features

- **Ratings**—120/240 Vac, two-pole, through 225 continuous amperes, calibrated at 40 °C
- **Tripping characteristics**—thermal-magnetic trip, calibrated and sealed after assembly. Indirectly heated thermal tripping bimetal elements
- **Interrupting capacity** at 120/240 Vac. Type CCV—10 kAIC rms symmetrical. Type CCVH—25 kAIC rms symmetrical

Contents

Description

	<i>Page</i>
Systems for Residential and Commercial Applications	V1-T4-68
Meter Packs	V1-T4-76
Meter Packs—Tenant Circuit Breakers	V1-T4-88
Main Service Modules	V1-T4-89
Residential Meter Stacks	V1-T4-108
Commercial Meter Stack Modules	V1-T4-123
35MM, 37MM, 35SS and 37SS Tenant Main Circuit Breakers	V1-T4-130
Phase Balanced Stack	V1-T4-132
Group Metering Inline Current Transformer Cabinets	V1-T4-133
Surge Metering	V1-T4-134
Group Metering Accessories	V1-T4-135

Standards and Certifications

- Complies with UL Standard 489. Breakers are listed under UL File #E7819



- **Handles**—trip-free with ON-TRIPPED-OFF positions. Reset past OFF is required to latch breaker contacts after tripping
- **Terminals**—standard lugs (wire connectors) suitable for copper or aluminum wire
- **Backward compatibility**—Type CCV and CCVH retains same profile and footprint as the CC and CCH breaker, allowing use in the same applications

Product Selection

Type CCV 120/240 V Tenant Main Circuit Breaker

Ampere Rating	Two-Pole Breaker		
	Wire Size Range, Al/Cu	10 kAIC	25 kAIC
60	#2–300 kcmil	CCV2060X	CCVH2060X
70		CCV2070X	CCVH2070X
80		CCV2080X	CCVH2080X
90		CCV2090X	CCVH2090X
100		CCV2100X	CCVH2100X
125		CCV2125X	CCVH2125X
150		CCV2150X	CCVH2150X
175		CCV2175X	CCVH2175X
200		CCV2200X	CCVH2200X
225		CCV2225X	CCVH2225X

Modification Codes

- X—load side terminals only

Type CV Tenant Main Circuit Breaker



Type CV 120/240 V

Product Overview

Eaton offers Type CCV (10 and 22 kAIC) and Type CV (42, 65 and 100 kAIC) family of circuit breakers as the primary tenant main breakers used in most group metering applications.

Product Description

Eaton’s residential products Type CV molded-case circuit breaker is available in two- and three-pole configurations from 60 A to 225 A in 42, 65 and 100 kAIC ratings.

Contents

<i>Description</i>	<i>Page</i>
Systems for Residential and Commercial Applications	V1-T4-68
Meter Packs	V1-T4-76
Meter Packs—Tenant Circuit Breakers	V1-T4-88
Main Service Modules	V1-T4-89
Residential Meter Stacks	V1-T4-108
Commercial Meter Stack Modules	V1-T4-123
35MM, 37MM, 35SS and 37SS Tenant Main Circuit Breakers	V1-T4-130
Phase Balanced Stack	V1-T4-132
Group Metering Inline Current Transformer Cabinets	V1-T4-133
Surge Metering	V1-T4-134
Group Metering Accessories	V1-T4-135

Features

- **Ratings**—120/240 Vac, two- and three-pole, through 225 continuous amperes, calibrated at 40 °C
- **Tripping characteristics**—thermal-magnetic trip, calibrated and sealed after assembly. Indirectly heated thermal tripping bimetal elements; includes push-to-test button for routine preventive maintenance
- **Interrupting capacity** at 120/240 Vac
 - Type CVS—42,000 A rms symmetrical
 - Type CV—65,000 A rms symmetrical
 - Type CVH—100,000 A rms symmetrical
- **Handles**—trip-free with ON-TRIPPED-OFF positions. Reset past OFF is required to latch breaker contacts after tripping
- **Terminals**—standard lugs (wire connectors) suitable for copper or aluminum wire

Standards and Certifications

- Complies with UL Standard 489. Breakers are listed under UL File #E7819



Product Selection

Type CV Two-Pole Tenant Main Circuit Breakers

Number of Poles	Main Tenant Circuit Breaker Ampere Rating	Wire Size Range, Al/Cu	42 kAIC Catalog Number	65 kAIC Catalog Number	100 kAIC Catalog Number
2	60	#6-4/0	CVS2060XMM	CV2060XMM	CVH2060XMM
	70		CVS2070XMM	CV2070XMM	CVH2070XMM
	80		CVS2080XMM	CV2080XMM	CVH2080XMM
	90		CVS2090XMM	CV2090XMM	CVH2090XMM
	100		CVS2100XMM	CV2100XMM	CVH2100XMM
	125		CVS2125XMM	CV2125XMM	CVH2125XMM
	150		CVS2150XMM	CV2150XMM	CVH2150XMM
	175		CVS2175XMM	CV2175XMM	CVH2175XMM
	200		CVS2200XMM	CV2200XMM	CVH2200XMM
	225		CVS2225XMM	CV2225XMM	CVH2225XMM

Type CV Three-Pole Tenant Main Circuit Breakers

Number of Poles	Main Tenant Circuit Breaker Ampere Rating	Wire Size Range, Al/Cu	42 kAIC Catalog Number	65 kAIC Catalog Number	100 kAIC Catalog Number
3	60	#6-4/0	CVS3060X	CV3060X	CVH3060X
	70		CVS3070X	CV3070X	CVH3070X
	80		CVS3080X	CV3080X	CVH3080X
	90		CVS3090X	CV3090X	CVH3090X
	100		CVS3100X	CV3100X	CVH3100X
	125		CVS3125X	CV3125X	CVH3125X
	150		CVS3150X	CV3150X	CVH3150X
	175		CVS3175X	CV3175X	CVH3175X
	200		CVS3200X	CV3200X	CVH3200X
	225		CVS3225X	CV3225X	CVH3225X

Commercial Meter Stack Modules (35MM, 37MM, 35SS and 37SS)



35MM, 37MM, 35SS and 37SS

Contents

<i>Description</i>	<i>Page</i>
Systems for Residential and Commercial Applications	V1-T4-68
Meter Packs	V1-T4-76
Meter Packs—Tenant Circuit Breakers	V1-T4-88
Main Service Modules	V1-T4-89
Residential Meter Stacks	V1-T4-108
Commercial Meter Stack Modules	
Catalog Number Selection	V1-T4-124
Product Selection	V1-T4-125
Dimensions and Knockouts	V1-T4-128
35MM, 37MM, 35SS and 37SS Tenant Main Circuit Breakers	V1-T4-130
Phase Balanced Stack	V1-T4-132
Group Metering Inline Current Transformer Cabinets	V1-T4-133
Surge Metering	V1-T4-134
Group Metering Accessories	V1-T4-135

Commercial Meter Stacks—Tenant Main Circuit Breakers

Product Description

- Heavy-duty lever bypass socket design
- Single-phase or three-phase designs (35 = single-phase, 37 = three-phase)
- Provision for two-pole or three-pole main tenant breakers
- Phase balance kits are included with three-high and four-high modules

Features, Benefits and Functions

A. End Walls

The top cap is removable and does not contain knockouts, so contractors can position and punch holes where they need them. There are numerous KOs in the back and bottom for flexibility.

B. Ground Bars

The factory-installed equipment ground bars are provided in both the top and bottom gutters.

C. Meter Socket

The 5-jaw meter socket and 7-jaw meter socket includes a built-in manual bypass and jaw release. The ground wire is factory connected in both 35MM and 37MM modules.

D. Separate Wireway Cover

If work on the breakers or cables is necessary, it can be accomplished without disturbing the meters or meter covers, thanks to a separate cover that allows easy access to the module's main tenant breaker and wireway section. (Not shown.)

E. Barrier

A solid metal barrier separates the meter socket section from the tenant breaker in the wireway section. The un-metered vertical bus is enclosed to guard against power theft.

F. Neutral Assembly

Located in the wireway of each module, the assembly permits convenient termination of the neutral conductors.

G. Enclosed Horizontal Bus

Non-removable metal barrier encloses 1200 A horizontal bus when passing through the tenant breaker section for added security.

H. Tenant Breaker Range

All modules accept 15–225 A bolt-on breakers in various AIC ratings. The CHH_X breaker carries a UL listed series rating of 100,000 A, which allows you to use standard 10 kAIC breakers in downstream loadcenters and panelboards by Eaton.

I. Indoor/Outdoor Construction

Raintight caps, meter covers and lockable raintight tenant breaker covers make it convenient for you to use any of our modules on either NEMA 1 or NEMA 3R applications.

J. Mounting Rail

Rear mounting rail and wall hanger speed and simplify installation. (Mounting rail not shown.)

K. Nameplate and Ratings

The nameplate gives you full rating data: 208Y/120, three-phase, four-wire; 240/120, three-phase, four-wire delta (high leg on B-phase); and 240/120 single-phase. (Not shown.)

L. Mains and Modules

Slip together quickly, smoothly with front-accessible captive bolts securing the juncture without removing socket interiors or bus access plate. Main bus joint bolts torque to 25 foot pounds.

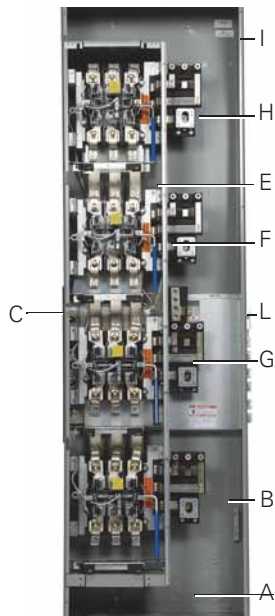
4.3

Metering Products

Group Metering

4

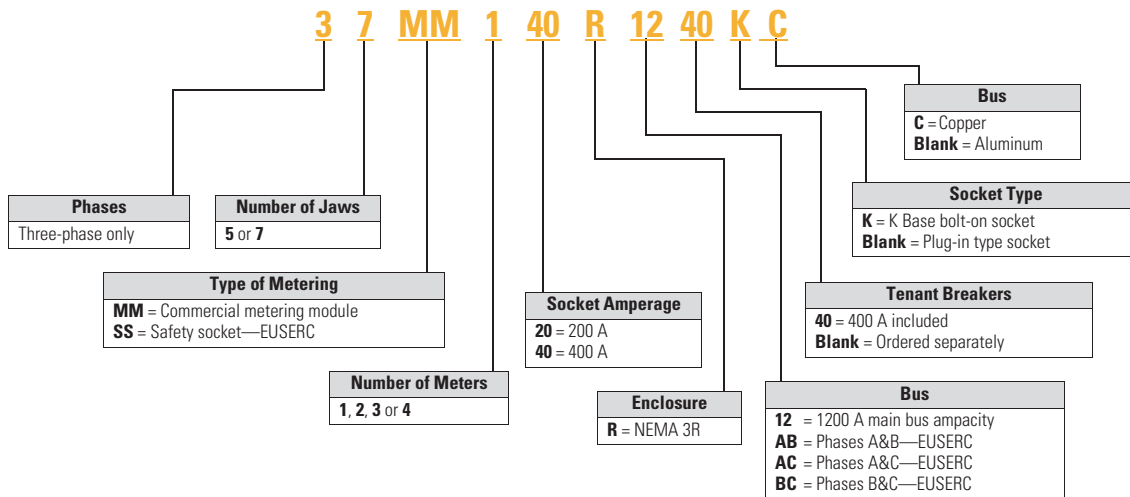
37MM Meter Stack Module



- Eaton's 35MM and 37MM modular metering stacks contain meter sockets with built-in manual bypass and jaw release (Non-EUSERC areas)
- Eaton's 35SS and 37SS stacks use meter sockets with test bypass feature (meets EUSERC electrical requirements)
- All commercial modular metering stacks contain four horizontal cross buses
- Mechanically and electrically built to bolt-up with main service modules and residential modular metering stacks

Catalog Number Selection

Commercial Meter Stack Modules



When Ordering:

1. Determine catalog number of Main Service Module.
2. Determine catalog number of Meter Stack (Residential or Commercial).
3. Find quantity and catalog numbers for tenant circuit breakers (found on **Page V1-T4-125**). Order one breaker per socket.
4. If any accessories are needed, order from **Pages V1-T4-136** and **V1-T4-137**.

Product Selection

35MM

- Each socket is a 5 terminal block with lever bypass and jaw release
- Ringless covers
- Provision for two-pole main tenant breakers (circuit breakers not included). For circuit breaker catalog numbers, refer to **Page V1-T4-125**
- Phase balancing kits are included with three-high and four-high modules. Each individual socket can be phase balanced in the field to the desired lines (A-B, B-C or A-C). Comes from factory as A-B
- Indoor/outdoor construction
- Main tenant feeders can exit top, bottom or back
- If being used in outdoor application and exiting the top, mount Myer type hubs on rainproof cap
- Short-circuit ratings up to 100 A rms symmetrical depending upon the kAIC rating of installed main tenant circuit breakers and main device
- Non-EUSERC areas

35MM—Single-Phase Commercial Meter Stack Modules (Three-Phase In, Single-Phase Out)

System Voltage	Ampere Rating Per Meter Socket	Number of Meter Sockets	Horizontal Bus Ampacity/ Material	Number of Jaws Per Meter Socket	Main Tenant Breaker Type (Page V1-T4-125) ①	Catalog Number
120/240 V, single-phase, three-wire systems and 208Y/120 V network metering (Not suitable for use on three-phase, four-wire delta systems)	225	1	1200 Al	5	Bolt-on type EHD2_ CCV2_X CCVH2_X CVS2_XMM CV2_XMM CVH2_XMM	35MM120R12
		1	1200 Cu	5		35MM120R12C
		2	1200 Al	5		35MM220R12
		2	1200 Cu	5		35MM220R12C
		3	1200 Al	5		35MM320R12
		3	1200 Cu	5		35MM320R12C
		4	1200 Al	5		35MM420R12
		4	1200 Cu	5		35MM420R12C
	400	1	1200 Al	5	400 A K-Frame included	35MM140R1240 ②
		1	1200 Cu	5	35MM140R1240C ②	
	400	1	1200 Al	5	400 A K-Frame included	35MM140HR1240 ③
		1	1200 Cu	5	35MM140HR1240C ③	
	400	2	1200 Al	5	400 A K-Frame included	35MM240R1240
		2	1200 Cu	5	35MM240R1240C	
	400 continuous	1	1200 Cu	5	400 A L-Frame included	35MM140R1240K
	400 continuous	1	1200 Cu	5	400 A L-Frame included	35MM140HR1240KC ④

Notes

- ① Retrofit tenant circuit breaker mounting kit (**37MMRCBK**) for installation of Type EHD and CV breakers. Needed only for stacks manufactured prior to February 2013. Order one kit per breaker.
- ② Unit is bottom exit only.
- ③ Rated at 100 kAIC.
- ④ Rated at 35 kAIC.

37MM

- Each socket is a 7 terminal block with lever bypass and jaw release
- Ringless covers
- Provision for three-pole main tenant breakers (circuit breakers not included). For circuit breaker catalog numbers, refer to **Page V1-T4-125**
- Indoor/outdoor construction
- Main tenant breakers can exit top, bottom or back
- If being used in outdoor application and exiting the top, mount Myer type hubs on rainproof cap
- Short-circuit ratings up to 100 A rms symmetrical depending upon the kAIC rating of installed main tenant circuit breakers and main device
- Non-EUSERC areas

37MM—Three-Phase Commercial Meter Stack Modules (Three-Phase In, Three-Phase Out)

System Voltage	Ampere Rating Per Meter Socket	Number of Meter Sockets	Horizontal Bus Ampacity/Material	Number of Jaws Per Meter Socket ^①	Main Tenant Breaker Type ^② (Page V1-T4-125)	Catalog Number
208Y/120 V, three-phase, four-wire 240/120 V, three-phase, four-wire delta (B-phase is high leg)	225	1	1200 Al	7	Bolt-on type EHD3_ CC3_X CVS3_X CV3_X CVH3_X	37MM120R12
		1	1200 Cu	7		37MM120R12C
		2	1200 Al	7		37MM220R12
		2	1200 Cu	7		37MM220R12C
		3	1200 Al	7		37MM320R12
		3	1200 Cu	7		37MM320R12C
		4	1200 Al	7		37MM420R12
		4	1200 Cu	7		37MM420R12C
	400	1	1200 Al	7	Bolt-on type EHD3_ CC3_X CVS3_X CV3_X CVH3_X	37MM140R12 ^③
		1	1200 Cu	7		37MM140R12C ^③
	400	1	1200 Al	7	400 A K-Frame included	37MM140R1240 ^④
		1	1200 Cu	7		37MM140R1240C ^④
	400	1	1200 Al	7	400 A K-Frame included	37MM140HR1240 ^⑤
		1	1200 Cu	7		37MM140HR1240C ^⑤
400	2	1200 Al	7	400 A K-Frame included	37MM240R1240	
	2	1200 Cu	7		37MM240R1240C	
400 continuous	1	1200 Cu	7	400 A L-Frame included	37MM140R1240KC ^⑥	
400 continuous	1	1200 Cu	7	400 A L-Frame included	37MM140HR1240KC ^⑦	

Notes

- ① If a socket in a 37MM meter stack module needs to be single-phase, order **37MM1CK**. This will convert the three-phase socket to single-phase.
- ② Retrofit tenant circuit breaker mounting kit (**37MMRCBK**) for installation of Type EHD and CV breakers. Needed only for stacks manufactured prior to February 2013. Order one kit per breaker.
- ③ 320 A continuous rated socket with provisions for two main tenant breakers.
- ④ Unit is bottom exit only.
- ⑤ Rated at 100 kAIC.
- ⑥ Rated at 25 kAIC.
- ⑦ Rated at 35 kAIC.

35SS

- Sockets include EUSERC required test-bypass-disconnect feature
- Ring type covers
- Single-phase units have provisions for two-pole main tenant breakers
- When applying 35SS (single-phase) stacks on 208Y/120 V, three-phase, four-wire and 240/120 V, three-phase, four-wire delta systems, refer to suffixes for proper phase balancing. Each meter stack module is phase balanced at the plant (A-B, B-C or A-C) and cannot be field modified
- Indoor/outdoor construction
- Main tenant breakers can exit top, bottom or back. If being used in outdoor application and exiting the top, mount Myer type hubs on rainproof cap
- Short-circuit ratings up to 100 A rms symmetrical depending upon the kAIC rating of installed main tenant circuit breakers and main device

35SS

35SS—Three-Phase Commercial Meter Stack Modules ①



System Voltage	Ampere Rating Per Meter Socket	Number of Meter Sockets	Horizontal Bus Ampacity/ Material	Number of Jaws Per Meter Socket	Main Tenant Breaker Type ② (Page V1-T4-125)	Catalog Number
120/240 V, single-phase, three-wire systems and 208Y/120 V network metering (Not suitable for use on three-phase, four-wire delta systems)	225	1	1200 Al	5	Bolt-on type	35SS120RAB ③
			1200 Cu	5	EHD2_	35SS120RABC ③
			1200 Al	5	CCV2_X	35SS120RAC ③
			1200 Cu	5	CCVH2_X	35SS120RACC ③
			1200 Al	5	CVS2_X	35SS120RBC ③
			1200 Cu	5	CV2_X	35SS120RBCC ③
	2	2	1200 Al	5		35SS220RAB ③
			1200 Cu	5		35SS220RABC ③
			1200 Al	5		35SS220RAC ③
			1200 Cu	5		35SS220RACC ③
			1200 Al	5		35SS220RBC ③
			1200 Cu	5		35SS220RBCC ③
	3	3	1200 Al	5		35SS320RAB ③
			1200 Cu	5		35SS320RABC ③
			1200 Al	5		35SS320RAC ③
			1200 Cu	5		35SS320RACC ③
			1200 Al	5		35SS320RBC ③
			1200 Cu	5		35SS320RBCC ③

37SS

- Sockets include EUSERC required test-bypass-disconnect feature
- Ring type covers
- Three-phase units have provisions for three-pole main tenant breaker
- Aluminum horizontal bus supplied as standard

37SS—Three-Phase Commercial Meter Stack Modules ①

System Voltage	Ampere Rating Per Meter Socket	Number of Meter Sockets	Horizontal Bus Ampacity/ Material	Number of Jaws Per Meter Socket	Main Tenant Breaker Type ② (Page V1-T4-125)	Catalog Number
208Y/120 V, three-phase, four-wire 240/120 V, three-phase, four-wire delta (B-phase is high leg)	225	1	1200 Al	7	Bolt-on type	37SS120R
			1200 Cu	7	EHD3_	37SS120RC
		2	1200 Al	7	CC3_X	37SS220R
			1200 Cu	7	CVS3_X	37SS220RC
		3	1200 Al	7	CV3_X	37SS320R
			1200 Cu	7	CVH3_X	37SS320RC

Notes

- ① Reference drawing EUSERC DWG-304 for 100 A; Reference drawing EUSERC DWG-305 for 200 A.
- ② Retrofit tenant circuit breaker mounting kit (**37MMRCBK**) for installation of Type EHD and CV breakers. Needed only for stacks manufactured prior to February 2013. Order one kit per breaker.
- ③ Last two digits of catalog number indicate phase balancing (AB indicates all sockets in this stack are connected to phases A and B only).

4.3

Metering Products

Group Metering

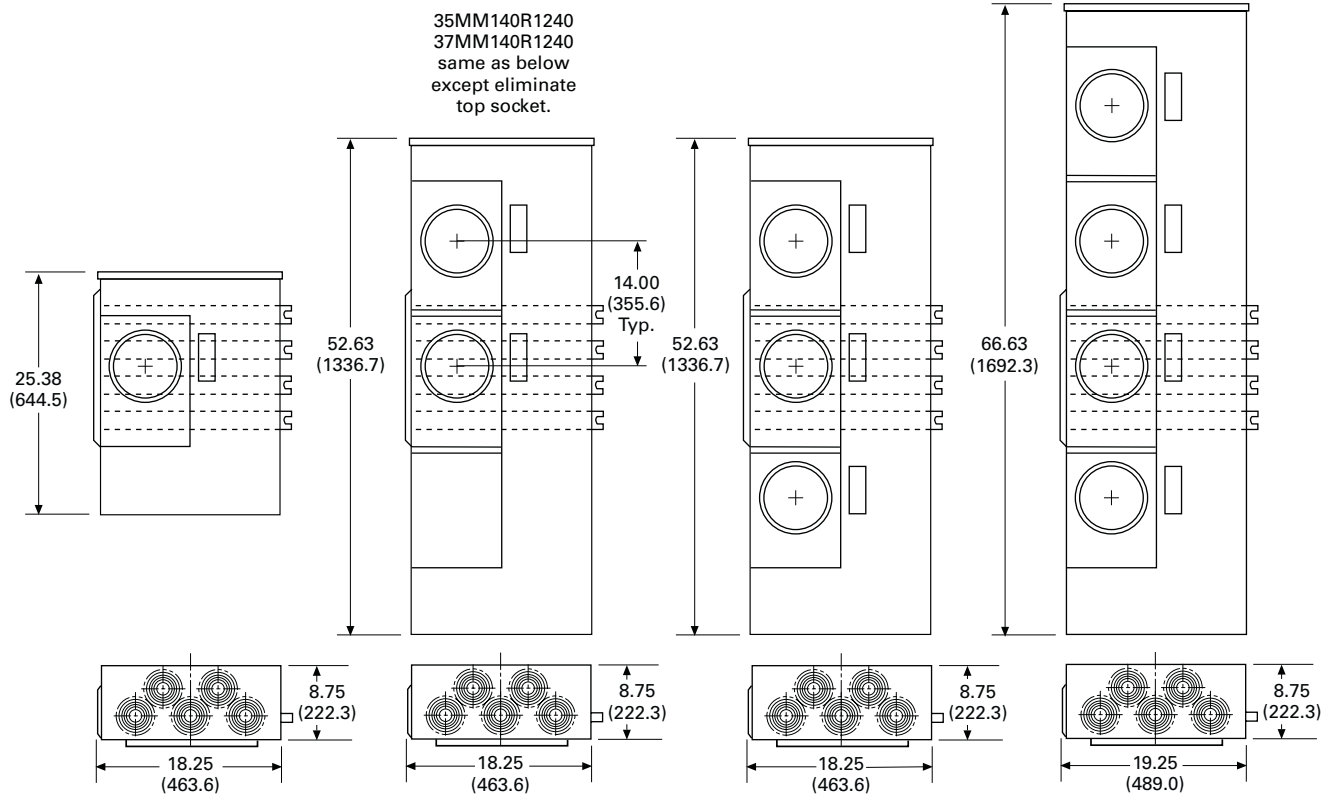
Dimensions and Knockouts

Approximate Dimensions in Inches (mm)

Commercial Stacks (35MM and 37MM)

35MM and 37MM

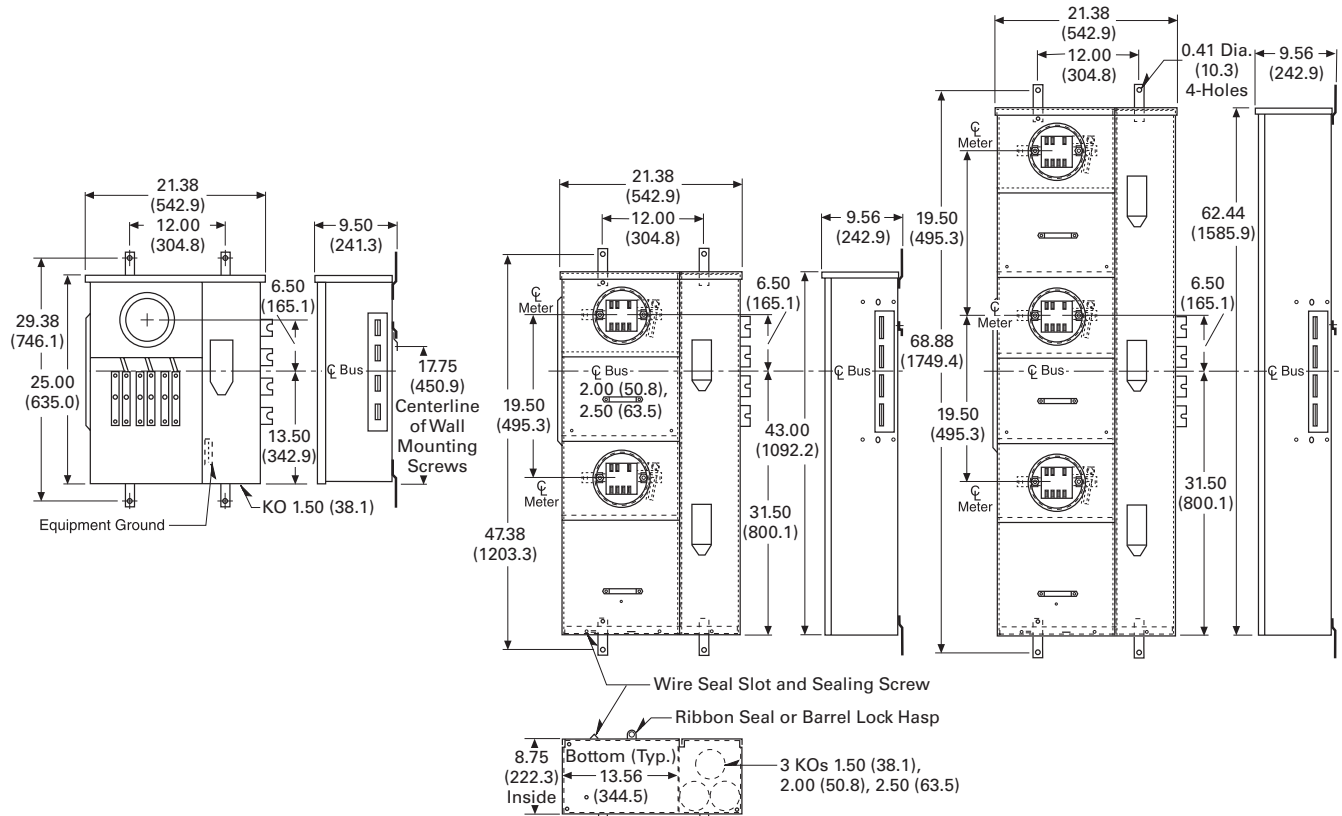
4



Approximate Dimensions in Inches (mm)

Commercial Stacks (35SS and 37SS)

35SS and 37SS



35MM, 37MM, 35SS and 37SS Main Tenant Circuit Breakers



CV2200/CV3200

35MM, 37MM, 35SS and 37SS Tenant Main Circuit Breakers

Product Description

- The following breakers are to be used on 35MM, 37MM, 35SS and 37SS modular metering stacks
- Series rating information available on **Page V1-T4-73**
- Two-pole breakers are 120/240 Vac, field installed
- Three-pole breakers are 208Y/120 Vac, field installed

Contents

Description

	<i>Page</i>
Systems for Residential and Commercial Applications	V1-T4-68
Meter Packs	V1-T4-76
Meter Packs—Tenant Circuit Breakers	V1-T4-88
Main Service Modules	V1-T4-89
Residential Meter Stacks	V1-T4-108
Commercial Meter Stack Modules	V1-T4-123
35MM, 37MM, 35SS and 37SS Tenant Main Circuit Breakers	
Product Selection	V1-T4-131
Phase Balanced Stack	V1-T4-132
Group Metering Inline Current Transformer Cabinets	V1-T4-133
Surge Metering	V1-T4-134
Group Metering Accessories	V1-T4-135

Product Selection

35MM, 37MM, 35SS and 37SS Main Tenant Circuit Breakers

Description	Number of Poles	Main Tenant Circuit Breaker Ampere Rating	10 kAIC	25 kAIC	42 kAIC	65 kAIC	100 kAIC
			Catalog Number	Catalog Number ^{①②}	Catalog Number ^{①②}	Catalog Number ^{①②}	Catalog Number ^{①②}
Bolt-On Type							
Bolt-on type circuit breakers used with 35MM and 35SS (single-phase modular metering stacks) ^{③④}	2	60	CCV2060X	CCVH2060X	CVS2060XMM	CV2060XMM	CVH2060XMM
	2	70	CCV2070X	CCVH2070X	CVS2070XMM	CV2070XMM	CVH2070XMM
	2	80	CCV2080X	CCVH2080X	CVS2080XMM	CV2080XMM	CVH2080XMM
	2	90	CCV2090X	CCVH2090X	CVS2090XMM	CV2090XMM	CVH2090XMM
	2	100	CCV2100X	CCVH2100X	CVS2100XMM	CV2100XMM	CVH2100XMM
	2	125	CCV2125X	CCVH2125X	CVS2125XMM	CV2125XMM	CVH2125XMM
	2	150	CCV2150X	CCVH2150X	CVS2150XMM	CV2150XMM	CVH2150XMM
	2	175	CCV2175X	CCVH2175X	CVS2175XMM	CV2175XMM	CVH2175XMM
	2	200	CCV2200X	CCVH2200X	CVS2200XMM	CV2200XMM	CVH2200XMM
	2	225	CCV2225X	CCVH2225X	CVS2225XMM	CV2225XMM	CVH2225XMM
Bolt-On Type							
Bolt-on type circuit breakers used with 37MM and 37SS (three-phase modular metering stacks) ^{③④}	3	60	EHD3060	CVS3060X	CVS3060X	CV3060X	CVH3060X
	3	70	EHD3070	CVS3070X	CVS3070X	CV3070X	CVH3070X
	3	80	EHD3080	CVS3080X	CVS3080X	CV3080X	CVH3080X
	3	90	EHD3090	CVS3090X	CVS3090X	CV3090X	CVH3090X
	3	100	CC3100X	CVS3100X	CVS3100X	CV3100X	CVH3100X
	3	125	CC3125X	CVS3125X	CVS3125X	CV3125X	CVH3125X
	3	150	CC3150X	CVS3150X	CVS3150X	CV3150X	CVH3150X
	3	175	CC3175X	CVS3175X	CVS3175X	CV3175X	CVH3175X
	3	200	CC3200X	CVS3200X	CVS3200X	CV3200X	CVH3200X
	3	225	CC3225X	CVS3225X	CVS3225X	CV3225X	CVH3225X

Notes

- ① #6–4/0 kcmil wire size range for CVS, CV and CVH tenant main circuit breakers. If #2–300 kcmil is needed, order **2TA225CVK** (two-pole) **3TA225CVK** (three-pole). One kit is needed per breaker.
- ② “MM” suffix provides mounting hardware needed for 1MP, 1MM and 3MM modular metering stacks only. Mounting hardware is not needed for use in 35MM and 35SS modular metering stacks, but is included as standard with breakers.
- ③ Retrofit tenant circuit breaker mounting kit (**37MMRCBK**) for installation of Type EHD and CV breakers. Needed only for stacks manufactured prior to February 2013. Order one kit per breaker.
- ④ Type EHD main tenant circuit breakers are also available from 15 to 50 A.

Phase Balanced Stack

Phase Balanced Stack

Product Description

Eaton's Phase Balanced Stack allows for a complete phase balanced metering line-up using fewer stacks. With today's electrical rooms becoming smaller, the need is greater than ever to offer space-saving metering products while providing a fully phase balanced system. The new phase balanced stack is the answer.

Today, achieving a phase balanced system when connected to a 208Y/120 Vac three-phase, four-wire system may require one or two additional 3MM meter modules. Standard 3MM meter stacks come factory connected to phases A and B. The new phase balanced stacks connect the two bottom meters to phases B and C and the top two or three meters to phases A and C. Using these new stacks with the AB phased 3MM metering, phase balancing is accomplished, and more compact than before.

Features

- Available in four- and five-high configurations at 125 A
- 200 A stacks available
- Available with 800 A aluminum bus and 1200 A copper bus
- Ring, ringless, ringless with horn bypass available
- Outdoor enclosure
- Dimensions same as existing 125 A, three-phase meter stacks

Contents

<i>Description</i>	<i>Page</i>
Systems for Residential and Commercial Applications	V1-T4-68
Meter Packs	V1-T4-76
Meter Packs—Tenant Circuit Breakers	V1-T4-88
Main Service Modules	V1-T4-89
Residential Meter Stacks	V1-T4-108
Commercial Meter Stack Modules	V1-T4-123
35MM, 37MM, 35SS and 37SS Tenant Main Circuit Breakers	V1-T4-130
Phase Balanced Stack	V1-T4-132
Group Metering Inline Current Transformer Cabinets	V1-T4-133
Surge Metering	V1-T4-134
Group Metering Accessories	V1-T4-135

Product Selection

Ordering Information

- Check with local utility for height restrictions
- Items loaded in VISTA
- If you have questions, please contact the Technical Resource Center 1-800-356-1243, option 3

Phase Balanced Stack

Amperes Per Meter Socket	Bus Ampacity	Meter Socket Cover	Catalog Number
125	800	Ring	3MM412RACBC
125	800	Ring	3MM512RACBC
125	800	Ringless	3MM412RRLACBC
125	800	Ringless	3MM512RRLACBC
125	800	Ringless horn bypass	3MM412RRLBACBC
125	800	Ringless horn bypass	3MM512RRLBACBC
125	1200	Ring	3MM412R2ACBC
125	1200	Ring	3MM512R2ACBC
125	1200	Ringless	3MM412R2RLACBC
125	1200	Ringless	3MM512R2RLACBC
125	1200	Ringless horn bypass	3MM412R2RLBACBC
125	1200	Ringless horn bypass	3MM512R2RLBACBC

Note: Local codes and utility requirements still apply. The phase balance stacks are not suitable for changing in the field.

Group Metering Inline Current Transformer Cabinets

Group Metering Inline Current Transformer Cabinets

Product Description

Eaton’s group metering inline current transformer (CT) cabinets are used when utilities require the use of current transformers to meter large services. These products are compatible with Eaton’s group metering offering for both single- and three-phase applications with tenant metering requirements greater than 400 A.

Features, Benefits and Functions

- Replaces separate termination box in installation to save wall space, labor and material for the contractor
- Compatible for utility-provided current transformers to be bolted in place, increasing flexibility to both the customer and utility
- Padlockable hinged doors restrict access to fuses or current transformers to ensure safety and security
- Available for pullout or fusible switch disconnect to accommodate the user’s preference
- Offered in three-phase in/ three-phase out, three-phase in / single-phase out, and single-phase in/ single-phase out to complete a full product line offering

Contents

<i>Description</i>	<i>Page</i>
Systems for Residential and Commercial Applications	V1-T4-68
Meter Packs	V1-T4-76
Meter Packs—Tenant Circuit Breakers	V1-T4-88
Main Service Modules	V1-T4-89
Residential Meter Stacks	V1-T4-108
Commercial Meter Stack Modules	V1-T4-123
35MM, 37MM, 35SS and 37SS Tenant Main Circuit Breakers	V1-T4-130
Phase Balanced Stack	V1-T4-132
Group Metering Inline Current Transformer Cabinets	V1-T4-133
Surge Metering	V1-T4-134
Group Metering Accessories	V1-T4-135

Product Selection

Group Metering Inline Current Transformer Cabinets

Ampere Rating	Pullout or Switch	Phase	Catalog Number
400	2 Pullouts	Single-phase in / single-phase out	CTAP3244NCM8CH11
400	2 Pullouts	Three-phase in / single-phase out	CTAP3244NCM8CH31
400	1 Pullout	Single-phase in / single-phase out	CTAP325NCM8CH11
400	1 Pullout	Three-phase in / single-phase out	CTAP325NCM8CH31
400	2 Pullouts	Three-phase in / three-phase out	CTAP4244NCM8CH
400	1 Pullout	Three-phase in / three-phase out	CTAP425NCM8CH
400	Switch	Single-phase in / single-phase out	CTAT325NCM8CH11
400	Switch	Three-phase in / single-phase out	CTAT325NCM8CH31
600	Switch	Single-phase in / single-phase out	CTAT326NCM8CH11
600	Switch	Three-phase in / single-phase out	CTAT326NCM8CH31
800	Switch	Single-phase in / single-phase out	CTAT327NCM8CH11
800	Switch	Three-phase in / single-phase out	CTAT327NCM8CH31
400	Switch	Three-phase in / three-phase out	CTAT425NCM8CH
600	Switch	Three-phase in / three-phase out	CTAT426NCM8CH
800	Switch	Three-phase in / three-phase out	CTAT427NCM8CH

Accessories

Group Metering Inline Current Transformer Cabinets

Description	Catalog Number
Wire harness (6 ft) per COMED requirements	9659
400 A C/T link and support assembly	CTL054550
600 A C/T link and support assembly	CTL054552
800 A C/T link and support assembly	CTL054554

Dimensions

Approximate Dimensions in Inches (mm)

Group Metering Inline Current Transformer Cabinets

Height	Width	Depth
64.00 (1625.6)	26.50 (673.1)	15.00 (381.0)

Surge Metering

4



Surge suppression devices shown are factory mounted in Group Metering Enclosure.

Surge Metering

Product Description

Eaton's multiple metering product family is proud to announce the availability of main surge devices. The new main surge is mounted between the main service module and the meter stacks and serves the purpose of providing surge protection for downstream multiple metering products. The main surge is compatible with all meter stacks currently manufactured (1MM, 3MM, 35MM and 37MM).

Features, Benefits and Functions

- Uses thermally protected metal oxide varistor (MOV) technology
- Compatible with 37MM enclosure accessories
- Protection status indicator lights EMI/RFI filtering and audible alarms
- Offers surge protection for all units fed from a main service module

Standards and Certifications

- UL 1449 3rd Edition recognized component



Contents

Description

	<i>Page</i>
Systems for Residential and Commercial Applications	V1-T4-68
Meter Packs	V1-T4-76
Meter Packs—Tenant Circuit Breakers	V1-T4-88
Main Service Modules	V1-T4-89
Residential Meter Stacks	V1-T4-108
Commercial Meter Stack Modules	V1-T4-123
35MM, 37MM, 35SS and 37SS Tenant Main Circuit Breakers	V1-T4-130
Phase Balanced Stack	V1-T4-132
Group Metering Inline Current Transformer Cabinets	V1-T4-133
Surge Metering	V1-T4-134
Group Metering Accessories	V1-T4-135

Group Metering Accessories



Contents

Description	Page
Systems for Residential and Commercial Applications	V1-T4-68
Meter Packs	V1-T4-76
Meter Packs—Tenant Circuit Breakers	V1-T4-88
Main Service Modules	V1-T4-89
Residential Meter Stacks	V1-T4-108
Commercial Meter Stack Modules	V1-T4-123
35MM, 37MM, 35SS and 37SS Tenant Main Circuit Breakers	V1-T4-130
Phase Balanced Stack	V1-T4-132
Group Metering Inline Current Transformer Cabinets	V1-T4-133
Surge Metering	V1-T4-134
Group Metering Accessories Product Selection	V1-T4-136








Group Metering Accessories

These accessories are suited for the Group Metering product line. The products range from replacement parts, such as covers and sockets, to accessories that pair with the group metering lineup, such as elbows and spacers.

Product Selection

1MP, 1MM and 3MM Residential Modular Metering Stacks

4

	Description	Application	Catalog Number
Fifth Jaw Kit 	Fifth jaw kit	Bolted onto neutral in the 3, 6 or 9 o'clock position. Typically used on network metering systems (three-phase in/single-phase out) or when specified by utility company.	1MM5JK
	Isolated fifth jaw kit	Connects to the neutral with an insulated wire.	1MM5JKOP
Manual Bypass Kit 	Manual bypass kit (ring style socket only)	For use with 125 A sockets only. (Not top socket.)	1MMBPM125
		For use with 200 A sockets only. (Not top socket.)	1MMBPM200
		This kit only to be used for top position of two- and three-high 125 A 1MM and 3MM stacks and of 2, 5 and six-position 125 A 1MP packs.	1MMBPM125T
		This kit only to be used for top position of 200 A two-position 1MP packs.	1MMBPM200T
Horn Bypass Kit 	Horn bypass	Used only on ringless cover stacks, kits can be installed on 125 A or 200 A sockets. Note: For 1MP2122RRL use:	1MMBPH WCG8HB ①
	Meter bypass jumper	Installed on 125 A or 200 A sockets. Jumpers are plugged into jaws. Order Lexan® cover plate with bypass jumpers to prevent access to meter socket once energized. (Not UL listed.)	1MMBPJ
Lexan Blank Cover 	Lexan blank cover	Circular cover mounted on ring or ringless devices preventing access to meter socket while meter is not in place. Includes four plastic tabs that plug into each jaw.	1MMPCP
		Same as 1MMPCP minus the tabs located in the back to plug into jaws. This device to be used while meter bypass jumpers are in place (1MMBPJ).	1MMACP
Blank Meter Socket Cover 	Blank meter socket cover	Used for 125 A stacks. Fits bottom socket only. Kit replaces existing meter cover preventing access to meter socket. Includes hasp for seal.	1MMBC125B
		Used on 200 A stacks. Fits bottom socket only. Kit replaces existing meter cover preventing access to meter socket. Includes hasp for seal.	1MMBC200B
Wall Mounting Rail 	Wall mounting rail	Rails are 4 feet (1.2m) in length. Bolted on wall for stacks, packs and mains to be hung.	1MMWB
Bussed Spacer 	Bussed spacer	Bussed spacer 1200 A 4-inch (101.6 mm). Required when stacks are mounted on right-hand side in EUSERC areas. (copper)	3MMBSK ②
		Bus duct riser/meter center connection	Available in 400, 600, 800 A main fusible units only. Contact product line for details.

Notes

- ① WCG8HB only applies to meter packs built prior to 1998. Current meter packs use **1MMBPH**.
- ② Must be used when mounting MCB main next to an MTB main or another MCB main device.

1MP, 1MM and 3MM Modular Residential Metering Stacks, continued

	Description	Application	Catalog Number
Indoor Corner Elbow 	Indoor corner elbow (copper)	12-inch (304.8 mm) indoor corner elbow, 1200 A, three-phase, four-wire for use with 1MM and 3MM only. Do not use with 35MM, 37MM, 35SS or 37SS stacks. 12-inch corner elbow not EUSERC approved.	3MMEB12
	Indoor corner elbow (copper)	16-inch (406.4 mm) indoor corner elbow, 1200 A, three-phase, four-wire for use with 1MM, 3MM, 35MM, 37MM, 35SS and 37SS.	3MMEB16
	Barrier	Barrier for individual sockets	1MMBK
Meter Jumper and Cover 	Meter jumper and cover	Combination meter jumper and cover (200 A maximum). Used to jumper line and load jaws as well as cover meter socket preventing exposure to current carrying parts.	1MMJCK
	Lug block	125 A two-pole lug block assembly.	BRSF125
Standard Sealing Ring 	Sealing ring	Stainless steel screw type with brass screw	1MMSR1
		Standard (included with packs and stacks) ①	1MMSR2
		Stainless steel screw type with cast zinc screw	1MMSR4
		Aluminum screw type with locking provisions	1MMSR5
Top endwall	Top endwall	125 A, NEMA 1 top end wall with knockouts for 1MM, 3MM meter stacks	MM12N1WLK
		200 A, NEMA 1 top end wall for 1MM, 3MM meter stacks	MM20N1WLK
Barrel Lock Kit 	Barrel lock kit	Needed when using barrel lock security, Main tenant feeders can exit bottom or back. Knockouts are available at all exit locations.	3MMBLKIT

Note

① Aluminum snap type.

Renewal Parts for Residential Modular Metering Stacks

1MP, 1MM and 3MM Replacement Parts

	Description	Application	Catalog Number	
Ringless Cover 	Ringless cover (can install this to go from ring to ringless)	Installed on 125 A socket for ringless security	1MMRC125	
		Installed on 200 A socket for ringless security	1MMRC200	
		For use with top position of 125 A, two- and three-position, 1MM and 3MM stacks and two-, five- and six-position 1MP packs	1MMRC125T	
		Top-position two position IMP	1MMRC200T	
Ring Cover 	Ring cover	Installed on 125 A socket for ring security	1MMCP1	
		Installed on 200 A socket for ring security	1MMCP2	
		Top socket ring cover 125 A	1MMCP1T	
		Top socket ring cover 200 A	1MMCP2T	
Tenant Breaker Cover 	Tenant breaker hinged cover	125 A cover	1MMBC1	
		200 A cover	1MMBC2	
Meter Socket 	Meter socket ^①	125 and 200 A	1MMMS	
		Busbar end cap	Flat—left side	47-24139A
			Bump—right side	47-28172-2A
		Main circuit breaker cover kit (black)		49-7060


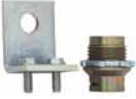





Notes

^① Meter Packs **1MP2122RRL** and **1MP2122RRLB** use different meter sockets.

See Renewal Parts listing RP.32A.01A.T.E for details.

See **RP00501001E** for a complete Renewal Parts listing.

Accessories for 35MM and 37MM Commercial Modular Metering Stacks

	Description	Application	Catalog Number
	Wall mounting rail	Rails are 4 feet (1.2m) in length. Bolted on wall for stacks, packs and mains to be hung.	1MMWB
	Indoor corner elbow (copper)	16-inch (406.4 mm) indoor corner elbow, 1200 A, three-phase, four-wire for use with 1MM, 3MM, 35MM, 37MM, 35SS and 37SS.	3MMEB16
Handle Insulator	Handle insulator	Each meter block includes a lever bypass. This kit includes the sleeve which slides onto the lever handle.	37MMHC
			
Barrel Lock Bracket Kit	Barrel lock bracket kit	Needed when using barrel lock security.	37MMBLK
			
Totalizing Jumper Kit	Totalizing jumper kit	Used if one socket is to meter two tenant feeds. When ordering jumper kit, should also order a plastic cover plate (1MMPCP + IMMJCK) preventing access to live parts on unused socket.	37MMTJK
			
Type EHD and CV Breaker Retrofit Mounting Kit	Type EHD and CV breaker retrofit mounting kit	Retrofit mounting hardware for installation of Type EHD and CV breakers in 35MM, 37SS, 37MM and 37SS meter stacks manufactured prior to February 2013. Order one kit per breaker.	37MMRCBK
			
Type CV Breaker Mounting Kit	Type CV breaker mounting kit	Replacement Type CV breaker mounting hardware kit. Used in 200 A 1MP/1MM/3MM modular metering stacks at 42, 65 and 100 kAIC.	1MMCBK
			
Blank Cover Kit	Blank cover kit	Kit replaces meter cover preventing access to socket.	37MMCK ^①
			
			37MMCKA ^②
Three-Phase to Single-Phase Conversion Kit	Barrier	Barrier for individual sockets	37MMBK
	Three-Phase to single-phase conversion kit	This kit will convert one three-phase meter socket (37MM devices) to a single-phase socket. Only needed if phasing A-C or C-B. If single-phase socket is to be phased A-B, kit is not required for field conversion. (Must use three-phase breaker.)	37MM1CK
			
	Bus duct riser/meter center connection	Available in 400, 600, 800 A Main fusible units and 400, 600, 800, 1000, 1200 main circuit breaker. Contact product line for details.	—
	Anti-inversion clip	This clip should be inserted into upper right hand jaw of a 320 A meter socket. The purpose is prevent a 200 A meter from being inserted into a 320 A meter socket.	37MMINVCLIP

Notes

- ① For all units made 10/2002 and earlier.
- ② For all units made after 11/2002.

Renewal Parts for Commercial Modular Metering Stacks

35MM and 37MM Modular Metering Stacks

4

35MM Replacement Meter Socket



Description	Application	Catalog Number
35MM replacement meter socket	To replace meter socket with lever bypass and jaw release.	MSLMSA1
37MM replacement meter socket	To replace meter socket with lever bypass and jaw release.	MSLMSA2

37SS Replacement Meter Socket



35SS replacement meter socket	To replace meter socket with test bypass disconnect feature	MSTMSA1
37SS replacement meter socket	To replace meter socket with test bypass disconnect feature	MSTMSA2
Safety socket meter cover assembly	To replace ring type cover over the meter prior to 7/1/02.	MSTMCVR1
Safety socket meter cover assembly	To replace ring type cover over the meter after 7/1/02	MSTMCVR1E

Meter Cover Assembly



35MM and 37MM meter cover assembly	Prior to 12/1/02	37MMSK
	After 12/1/02	37MMSK1
Meter cover assembly with NJ latch	To replace ringless cover over the meter. Includes New Jersey latch requirement.	37MMSKNJ

Tenant Breaker Hinged Cover



Tenant breaker hinged cover	To replace cover over tenant breakers.	1MMBC2
Busbar end cap	Flat—left side	47-24139A
	Bump—right side	47-28172-2A
Main circuit breaker cover/CIT (black)		49-7060

Note

See **RP.32A.01.T.E** for a complete Renewal Parts listing.

1MPLK3



Main Lug Selection—Field-Installed Lugs for 400 or 600 A Main Bus
(For use with Meter Packs only)

Line Lug and Wire Sizes
Order Separately and Field Install

Line Lug Kit Catalog Number
Order Three Kits
(For Two Lines and Neutral)

(1) #6–600 kcmil or (2) 2/0–250 kcmil	1MPLK1
(2) 250–500 kcmil	1MPLK3
(3) #4–300 kcmil	1MPLK4 ①
(1) 750 kcmil	1MPLK2 ②
Crimp lug landing pad 250–750 kcmil	1MPSC1 ①

Field Installable Lug Kits for 1MM and 3MM Tenant Main Circuit Breakers
(For use with Residential Meter Stacks to account for bigger wire sizes)

BR40LUG



Description	Catalog Number
4/0 Lug adapter—accommodates 3/0–4/0	BR40LUG

BR40NEU



4/0 Neutral bar adapter—accommodates #1–4/0	BR40NEU
Up-sized ground bar kit	1MMGBK
Two-pole 300 kcmil with terminal shield	2TA225CVK
Three-pole 300 kcmil with terminal shield	3TA225CVK
Replacement mounting hardware kit for 200 A 1MP, 1MM and 3MM units	1MMCBK

Wire Sizes—Neutral and Ground Lugs

Description	Wire Size, Al/Cu	Catalog Number
Neutral—125 A meter pack	#6–2/0	—
Neutral—200 A meter pack	#1/0–300 kcmil	—
Equipment ground bar—125 A meter pack	#14–#2	—
Equipment ground bar—200 A meter pack	#14–2/0	—
Optional ground bar	#6–2/0	1MMGBK

BR40LUG Compatibility Chart

Type	60 A	70 A	80 A	90 A	100 A	110 A	125 A
BR	—	—	—	—	—	BR2110	BR2125
BRH	—	—	—	—	—	BRH2110	BRH2125
BRHX	—	—	—	—	—	BRHX2110	BRHX2125
BRHH	—	—	—	—	—	BRHH2110	BRHH2125
BRX	BRX260	BRX270	BRX280	BRX290	BRX2100	BRX2110	BRX2125

Other Notes for Lug Kits

Notes: The lug adapter kit can be used in 1MM and 3MM 3- through 6-socket 125 A modular metering stacks. Only intended for use in bottom- and rear-feed applications. Four adapters can be used per meter stack.

Notes

① This kit comes with three pads for two lines and neutral. Each pad will accept one or two crimp lugs. Cannot be used on **1MP2122R**, **RL**, **RC** and **RLB** EUSERC underground termination.

② This lug is not UL listed.

Each stack includes a neutral and ground bar. If an extra ground bar is needed, order **1MMGBK**.

Group Metering and Meter Breaker Family



4.1 Meter Sockets	
Single Meter Sockets	V1-T4-2
Commercial Lever Bypass Sockets	V1-T4-10
Multiple Position Horizontal Ganged Sockets	V1-T4-17
Instrument Rated Sockets	V1-T4-23
Residential Pedestals	V1-T4-28
Meter Socket Accessories	V1-T4-30
4.2 Meter Breakers	
Residential Meter Breakers	V1-T4-35
Non-EUSERC Combination Service Entrance Devices 100–200 A Styles	V1-T4-37
EUSERC Required Service Entrance Devices 100–225 A	V1-T4-41
West Coast All-In-One Design	V1-T4-44
House Panels	V1-T4-48
Aluminum Meter Breakers	V1-T4-53
CH Style Renovation Solutions	V1-T4-54
Commercial Safety Sockets	V1-T4-55
Meter Breakers Accessories	V1-T4-58
4.3 Group Metering	
Systems for Residential and Commercial Applications	V1-T4-68
Meter Packs	V1-T4-76
Meter Packs—Tenant Circuit Breakers	V1-T4-88
Main Service Modules	V1-T4-89
Residential Meter Stacks	V1-T4-108
Commercial Meter Stack Modules	V1-T4-123
Phase Balanced Stack	V1-T4-132
Group Metering Inline Current Transformer Cabinets	V1-T4-133
Surge Metering	V1-T4-134
Group Metering Accessories	V1-T4-135



Volume 1—Residential and Light Commercial, CA08100002E

Tab 4—Metering Products

Revision date	Section	Change page(s)	Description
11/05/2018	—	V1-T4-1	Update TOC listing
11/05/2018	4.3	V1-T4-78	Content edits
11/05/2018	4.3	V1-T4-79	Content edits



Powering Business Worldwide

Single Meter Sockets



Contents

Description

Page

Single Meter Sockets	
Features and Benefits	V1-T4-3
Catalog Number Selection	V1-T4-3
Product Selection	V1-T4-4
Dimensions	V1-T4-8
Commercial Lever Bypass Sockets	V1-T4-10
Multiple Position Horizontal Ganged Sockets	V1-T4-17
Instrument Rated Sockets	V1-T4-23
Residential Pedestals	V1-T4-28
Meter Socket Accessories	V1-T4-30

Single Meter Sockets

Product Description

Single-Phase Three-Wire and Three-Phase Four-Wire 600 Vac Single Meter Sockets

All Eaton sockets are rated 600 Vac maximum and either 100, 200 or 320 A continuous. All have a minimum short-circuit rating of 10,000 rms symmetrical amperes (watthour meter is not included in rating).

All single meter sockets are UL labeled and are supplied in surface mounted outdoor enclosures. Confirm local utility acceptance prior to order entry.

Features and Benefits

Single Meter Sockets

Features	Benefits
Block assembly base exceeds 400 in-lbs of torque	Provides durability under the most extreme installation circumstances
One-piece, die-run enclosure	Eliminates tampering and extends product life
High visibility Eaton name embossed on cover	Company identity and brand preference
Knockouts are installer friendly	Labor savings, less time needed for removing knockouts
Oversized 7/8-inch diameter, heavy-duty, steel lug screws	Stronger connection component facilitates a reliable wire termination
Slide-nuts are captive	Allow for ease in installation of conductors and eliminates lost components
Horn bypass kit is field installable by changing out slide nut	Less inventory required and field modifications are simple
Integral triplex or quadplex ground extruded in neutral lug	One piece for terminating incoming/outgoing neutral conductors, which increases integrity of connections
100% plated bridge with 4-point mounting	Zinc chromate plated to provide superior corrosion resistance
kAIC rating	Tested and UL listed up to 200 kAIC rating with specified overcurrent protection devices
Provides a complete Eaton residential solution	Adding meter sockets to the already existing (loadcenter, surge, breakers, generators and AC disconnect) product lines that we already provide, makes Eaton a one-stop shop for our customers residential and light commercial needs
Copper-plated alloy jaws with reinforcing spring	Steel reinforcing springs used in all socket jaws to maintain electrical connections

Catalog Number Selection

Single Meter Sockets RS Group

UT RS 2 0 2 B CH

Note: The "U" prefix is always used first followed by other prefixes required in alphabetical order.

Standard Prefixes	
A	= Aluminum enclosure
B	= Barrel lock provision, for an exposed INNER-TITE® or Brooks barrel lock; unit includes an internal lock receiver bracket
F	= Barrel Lock with guard provision, for a lock guard INNER-TITE or Brooks barrel lock; unit includes an internal lock receiver bracket
G	= Grounded fifth terminal (9 o'clock position)
H	= Horn bypass
I	= Inhibitor installed in wire connectors
M	= Temporary meter cover (waxed cardboard)
N	= No sealing ring (applies only to ring style sockets)
R	= Ring style socket
S	= Aluminum screw type sealing ring (applies only to ring style sockets)
T	= Grounding connector (#14-#2 Cu) for triplex ground
TT	= Two grounding connectors (#14-#2 Cu) for quadplex ground
U	= UL Underwriters Laboratories label
Z	= 5/16-inch hex head connector screw in place of slotted (100 A only)

Product Group	
RS	= Residential service, single position
2R-6R	= Residential service, multiple position
2H-6H	= Commercial or residential service, multiple position
H	= Commercial or residential service, single position

Standard Suffixes	
A	= Solid top
B	= Small hub opening
C	= Small hub closing plate mounted
L	= 1.25-inch (31.8 mm) hub mounted
M	= 1.50-inch (38.1 mm) hub mounted
N	= 2.00-inch (50.8 mm) hub mounted
P	= 2.50-inch (63.5 mm) hub mounted
T	= Large hub opening hub
U	= Large hub cover plate hub mounted
V	= 2.50-inch (63.5 mm) large hub mounted
Q	= 3.00-inch (76.2 mm) large hub mounted
R	= 3.50-inch (88.9 mm) large hub mounted
S	= 4.00-inch (101.6 mm) large hub mounted
Z	= Large to small hub adapter mounted

Maximum Conductor (Line and Load)	
0	= 0.38-inch stud connectors
1	= #2/0 connectors
2	= #250 kcmil connectors
3	= #350 kcmil connectors

Service Design	
0	= Overhead
1	= Combination overhead/underground
2	= Underground, side wired
3	= Combination overhead/underground, side wired

Ampere Rating	
1	= 100 A
2	= 200 A
5	= 150 A

Product Selection

URS212ACH

Residential Ringless Type Cover



4

Ampere Rating	Jaws	Service	Bypass	Connections Line	Load	Opening, Hub or Closure Plate	Catalog Number
200	4	UG	—	3/8-inch studs	3/8-inch studs	Solid top	UTRS240ACH
200	4	OH/UG	—	3/8-inch studs	3/8-inch studs	3-5/16 hub cover plate	UTRS2303CCH
200	4	UG	—	#8–350 kcmil	#8–350 kcmil	Solid top	UTRS223ACH
200	4	UG	—	3/8-inch studs	3/8-inch studs	Solid top	UTRS220ACH
200	4	OH/UG	—	#8–350 kcmil	#8–350 kcmil	3-5/16 cover plate	UTRS213CFLCH
200	4	OH/UG	—	#8–350 kcmil	#8–350 kcmil	3-5/16 hub cover plate	UTRS213CEPCH
200	4	OH/UG	—	#6–350 kcmil	#6–350 kcmil	3-5/16 hub cover plate	UGTRS213CE
200	4	OH/UG	—	#6–350 kcmil	#6–350 kcmil	3-5/16 hub cover plate	UTRS213CE
200	4	OH/UG	—	#6–350 kcmil	#6–350 kcmil	3-5/16 hub opening	UATRS213BCH
200	4	OH/UG	—	#6–350 kcmil	#6–350 kcmil	3-5/16 hub opening	URS213BCH
200	4	OH/UG	—	#6–350 kcmil	#6–350 kcmil	3-5/16 hub opening	UTRS213BE
200	4	UG	—	#8–350 kcmil	#8–350 kcmil	Solid top	UTRS213AFLCH
200	4	UG	—	#8–350 kcmil	#8–350 kcmil	Solid top	UTRS213ACH
200	4	OH/UG	Horn	#8–350 kcmil	#8–350 kcmil	3-5/16 hub opening	UTRS2138BCH
200	4	OH/UG	—	#8–250 kcmil	#8–250 kcmil	Solid top	UTRS212ACH
200	4	OH/UG	—	#8–250 kcmil	#8–250 kcmil	3-5/16 cover plate	UTRS212CCH
200	4	OH/UG	—	#8–250 kcmil	#8–250 kcmil	3-5/16 cover plate	UTRS212CFLCH
200	4	OH/UG	—	#8–250 kcmil	#8–250 kcmil	3-5/16 hub opening	UTRS212BCH
200	4	OH	—	#8–250 kcmil	#8–250 kcmil	2-inch bolt-on hub	UTRS202NCH
200	4	OH	—	#8–250 kcmil	#8–250 kcmil	Small hub opening	UATRS202BFLCH ^①
200	4	OH/UG	—	#8–250 kcmil	#8–250 kcmil	3-5/16 cover plate	UTRS232CCH
200	4	OH	—	#8–2/0 cu/al	#8–2/0 cu/al	3-5/16 hub opening	UTRS202BCH
200	4	OH/UG	—	#8–250 kcmil	#8–250 kcmil	Solid top	URS212ACH
200	4	OH	—	#8–250 kcmil	#8–250 kcmil	2-inch bolt-on hub	URS202NCH
200	5	OH	Horn	#8–250 kcmil	#8–250 kcmil	3-5/16 hub opening	URS202BDQCH
200	4	OH/UG	Horn	#8–350 kcmil	#8–350 kcmil	3-5/16 hub cover plate	UFHTRS213CCH ^②
200	4	OH/UG	Horn	#8–350 kcmil	#8–350 kcmil	3-5/16 hub opening	UHTRS213BCH
200	4	OH/UG	Horn	#8–350 kcmil	#8–350 kcmil	3-5/16 hub cover plate	UHTRS213CCH
200	4	OH	Horn	#8–250 kcmil	#8–250 kcmil	3-5/16 hub opening	UHTRS202BCH
200	5	OH/UG	Horn	#8–350 kcmil	#8–350 kcmil	3-5/16 hub cover plate	UHTRS233CCH
200	4	UG	Horn	#8–350 kcmil	#8–350 kcmil	Solid top	UHTRS223ARHCH
200	4	UG	Horn	#8–350 kcmil	#8–350 kcmil	Solid top	UFHTRS223ACH
200	5	UG	Horn	#8–350 kcmil	#8–350 kcmil	Solid top	UGHTRS223ACH
200	4	UG	Horn	#8–350 kcmil	#8–350 kcmil	Solid top	UHTRS223ACH
200	4	UG	Horn	#8–350 kcmil	#8–350 kcmil	Solid top	UHTRS223ACH
200	4	OH/UG	Horn	#6–350 kcmil	#6–350 kcmil	3-5/16 hub opening	UHTRS213CE
200	4	OH/UG	Horn	#6–350 kcmil	#6–350 kcmil	3-5/16 hub opening	UHTRS213BE
200	4	OH/UG	Horn	#8–350 kcmil	#8–350 kcmil	Solid top	UHTRS213AE
200	4	OH	Horn	#8–350 kcmil	#8–350 kcmil	3-5/16 hub opening	UHTRS203BCH
200	4	OH	Horn	#8–250 kcmil	#8–250 kcmil	3-5/16 hub opening	UHTRS202BCH
200	4	OH/UG	None	#8–250 kcmil	#8–250 kcmil	2-inch bolt-on hub	URS202NPECCH ^③

Notes

- ① Aluminum enclosure.
- ② Barrel lock.
- ③ PEC approved.

For dimensions, see **Pages V1-T4-8 and V1-T4-9.**

Residential Ringless Type Cover, continued

Ampere Rating	Jaws	Service	Bypass	Connections Line	Load	Opening, Hub or Closure Plate	Catalog Number
200	4	OH/UG	Horn	#8-350 kcmil	#8-350 kcmil	Solid top	UHRS223ACVCH
200	4	OH/UG	Horn	#8-350 kcmil	#8-350 kcmil	3-5/16 hub opening	UHRS213BCVCH
200	5	OH/UG	—	#6-350 kcmil	#6-350 kcmil	Closure plate	UGTRS213CE
200	5	OH/UG	—	#6-350 kcmil	#6-350 kcmil	Hub opening	UGTRS213BE
200	5	OH/UG	Horn	#6-350 kcmil	#6-350 kcmil	Closure plate	786685217918
200	5	OH/UG	Horn	#6-350 kcmil	#6-350 kcmil	3-5/16 hub opening	UGHTRS213BE
200	5	OH/UG	Horn	#8-250 kcmil	#8-250 kcmil	3-5/16 hub cover plate	UGHRS212CKCCH
200	4	OH	—	#8-250 kcmil	#8-250 kcmil	3-5/16 hub opening	UFTRS202BCH
200	4	OH	Horn	#8-250 kcmil	#8-250 kcmil	3-5/16 hub opening	UFHTRS202BCH
200	4	UG	Horn	#8-350 kcmil	#8-350 kcmil	Solid top	UBHTRS223ARHCH
200	4	UG	Horn	#8-350 kcmil	#8-350 kcmil	Solid top	UBHRS223ACH
200	4	OH	Horn	#8-250 kcmil	#8-250 kcmil	3-5/16 hub cover plate	UBHRS202BCH
200	4	OH/UG	—	#8-350 kcmil	#8-350 kcmil	3-5/16 hub opening	UATRS213CFLCH
200	4	OH/UG	Horn	#8-350 kcmil	#8-350 kcmil	3-5/16 hub cover plate	UAHTRS233CSHCH
200	4	UG	Horn	#8-350 kcmil	#8-350 kcmil	Solid top	UAHTRS223AFLCH
200	4	OH	Horn	#8-250 kcmil	#8-250 kcmil	3-5/16 hub opening	UAHTRS202BFLCH
200	4	OH/UG	—	#8-350 kcmil	#8-350 kcmil	3-5/16 hub closure plate	U92197CCCPLCH
200	4	OH/UG	—	#8-350 kcmil	#8-350 kcmil	3-5/16 hub closure plate	1009928CH
200	4	OH/UG	Horn	#8-250 kcmil	#8-250 kcmil	Solid top	1009874ACH
200	4	UG	—	3/8-inch studs	3/8-inch studs	Solid top	1009046CH
200	4	UG	Horn	#8-350 kcmil	#8-350 kcmil	Solid top	1008941CH
200	4	UG	Horn	#8-350 kcmil	#8-350 kcmil	Solid top	1008940CH
200	4	UG	Horn	#8-350 kcmil	#8-350 kcmil	Solid top	1008827CH
200	4	UG	Horn	#8-350 kcmil	#8-350 kcmil	Solid top	1008819CH
200	4	UG	Horn	#8-350 kcmil	#8-350 kcmil	Solid top	1008717CH
200	4	UG	—	#8-350 kcmil	#8-350 kcmil	Solid top	1008617CH
200	4	OH/UG	Horn	#8-350 kcmil	#8-350 kcmil	3-5/16 hub opening	1007817CH
200	4	OH	Horn	#8-250 kcmil	#8-250 kcmil	3-5/16 hub opening	1007699CH
200	4	OH	Horn	#8-250 kcmil	#8-250 kcmil	3-5/16 hub opening	1007665CH
200	4	UG	Horn	#8-350 kcmil	#8-350 kcmil	Solid top	1007588CH
200	4	OH/UG	—	3/8-inch studs	3/8-inch studs	3-5/16 hub opening	1007448ACH
200	4	UG	Horn	#8-350 kcmil	#8-350 kcmil	Solid top	1004884ARHCH ①
200	4	UG	Horn	#8-350 kcmil	#8-350 kcmil	Solid top	1004884ACH
200	4	OH/UG	—	#8-#250 kcmil	#8-#250 kcmil	3-5/16 hub cover plate	1004710ECH
200	4	OH	—	N/A	N/A	N/A	1004709DCH
200	4	OH	Horn	#8-#250 kcmil	#8-#250 kcmil	2-inch bolt-on hubs	1004455BCH
200	4	OH	Horn	#8-250 kcmil	#8-250 kcmil	3-5/16 hub opening	1004161ACH
200	4	OH/UG	Horn	#8-350 kcmil	#8-350 kcmil	3-5/16 hub opening	1004159ACH
200	4	OH/UG	—	#8-350 kcmil	#8-350 kcmil	Hub closure plate	1008826ACH ②
200	4	OH/UG	Lever	#6-350 kcmil	#6-350 kcmil	Hub closure plate	1006352CCCH ②
200	5	OH	Horn	#8-250 kcmil	#8-250 kcmil	3-5/16 hub opening	1003879ACH
200	5	OH/UG	Horn	#8-350 kcmil	#8-350 kcmil	3-5/16 hub opening	1003878ACH

Notes

- ① Right hand incoming.
- ② Austin Energy approved.

For dimensions, see Pages V1-T4-8 and V1-T4-9.

4.1

Metering Products

Meter Sockets

URS101BCH



Residential Ringless Type Cover, continued

Ampere Rating	Jaws	Service	Bypass	Connections Line	Load	Opening, Hub or Closure Plate	Catalog Number
150	4	OH/UG	—	#8-2/0 AWG	#8-2/0 AWG	Hub closure plate	1004326DCH ^①
150	4	OH/UG	—	#8-250 kcmil	#8-250 kcmil	Hub opening	UTRS502BCH
150	4	OH	—	#8-250 kcmil	#8-250 kcmil	3-5/16 hub opening	UTRS502BCH
150	4	OH	—	#8-250 kcmil	#8-250 kcmil	3-5/16 hub cover plate	UTRS502CCH
125	4	UG	—	N/A	N/A	N/A	1006385BCH
125	4	OH/UG	—	#8-2/0 cu/al	#8-2/0 cu/al	3-5/16 hub opening	UTRS111BCH
125	4	OH	—	#8-2/0 cu/al	#8-2/0 cu/al	3-5/16 hub opening	UBTRS101BCH
125	4	OH	—	#8-2/0 cu/al	#8-2/0 cu/al	1-1/4-inch bolt-on hub	UTRS101LCH
125	4	OH	—	#8-2/0 cu/al	#8-2/0 cu/al	3-5/16 hub cover plate	UTRS101CE
125	4	OH	—	#8-2/0 cu/al	#8-2/0 cu/al	3-5/16 hub opening	UTRS101BE
125	4	OH	—	#8-2/0	#8-2/0	3-5/16 hub cover plate	URS101CCPLCH
125	4	OH	Horn	cu/al with 1/2-inch hex head wire clamping screw	cu/al with 1/2-inch hex head wire clamping screw	3-5/16 hub cover plate	URS101BDQCH
125	4	OH	—	#8-2/0	#8-2/0	3-5/16 hub opening	URS101BCPLCH
125	4	OH	—	#8-2/0	#8-2/0	3-5/16 hub opening	URS101BCH
125	4	OH	Horn	#8-2/0	#8-2/0	3-5/16 hub opening	UHTRS101BCH
125	4	OH/UG	Horn	#8-250 kcmil	#8-250 kcmil	3-5/16 hub opening	UHTRS111BCH
125	4	OH	Horn	#8-2/0	#8-2/0	1.25-inch hub mounted	UHTRS101LCH
125	4	OH	Horn	#8-2/0	#8-2/0	Closure plate	UHTRS101CE
125	4	OH	Horn	#8-2/0	#8-2/0	3-5/16 hub opening	UHTRS101BE
125	5	OH/UG	—	#8-2/0	#8-2/0	3-5/16 hub cover plate	UGRS10101CKCCH
125	5	OH/UG	—	#8-2/0	#8-2/0	3-5/16 hub cover plate	UGHTRS111CCH
125	5	OH	—	#8-2/0	#8-2/0	3-5/16 hub opening	UGHTRS101BCH
125	4	OH	—	#8-2/0	#8-2/0	3-5/16 hub cover plate	UBHRS101BCH
125	4	OH/UG	—	#8-2/0	#8-2/0	3-5/16 hub cover plate	UATZRS101CFLCH
125	4	OH	—	#8-2/0	#8-2/0	3-5/16 hub cover plate	UATRS101CCH
125	4	OH	—	#8-2/0	#8-2/0	3-5/16 hub opening	1008947CH
125	4	UG	N/A	N/A	N/A	N/A	1005826ACH
125	4	OH	—	#8-2/0	#8-2/0	1-1/4-inch bolt-on hub	1004931BCH
125	4	OH	—	#8-2/0	#8-2/0	3-5/16 hub opening	1004162ACH
125	5	OH	—	#8-2/0	#8-2/0	3-5/16 hub opening	1003880ACH
125	4	OH	—	#8-2/0	#8-2/0	3-5/16 hub opening	UTZRS101BFLCH
125	4	OH	—	#8-2/0	#8-2/0	3-5/16 hub closure plate	UTZRS101CFLCH
125	5	OH	Horn	#8-2/0	#8-2/0	Hub opening	UTRS101CEPSEG ^②
100	4	OH	—	#8-2/0	#8-2/0	3-5/16 hub opening	1009079CH
200	5	OH/UG	Horn	#8-350 kcmil	#8-350 kcmil	Hub closure plate	UTRS213CEPSEG ^②

Notes

- ① Austin Energy approved.
- ② PSE&G approved.

For dimensions, see **Pages V1-T4-8 and V1-T4-9.**

Residential Ring Type Cover

Ampere Rating	Jaws	Service	Connections Line	Load	Opening, Hub or Closure Plate	Catalog Number
200	4	UG	#8-350 kcmil	#8-350 kcmil	Solid top	URTRS223ACH
200	4	OH/UG	#8-350 kcmil	#8-350 kcmil	3-5/16 hub cover plate	URRS213CCH
200	4	OH/UG	#8-350 kcmil	#8-350 kcmil	2 inch hub mounted	URTRS213NEUSCH
200	4	OH/UG	#8-350 kcmil	#8-350 kcmil	3-5/16 hub cover plate	URTRS213CEUSCH
200	4	OH/UG	#8-350 kcmil	#8-350 kcmil	3-5/16 hub cover plate	1009424CH
200	4	OH/UG	#8-350 kcmil	#8-350 kcmil	Knockouts	1009449CH
200	4	OH	#8-350 kcmil	#8-350 kcmil	3-5/16 hub opening	URSTRS203BCH
200	4	OH	#8-250 kcmil	#8-250 kcmil	3-5/16 hub cover plate	URS212BCRCH
200	4	OH/UG	#8-250 kcmil	#8-250 kcmil	3-5/16 hub cover plate	URTRS202BCH
200	4	OH	#8-250 kcmil	#8-250 kcmil	3-5/16 hub opening	URTRS213BE
200	4	OH/UG	#6-350 kcmil	#6-350 kcmil	Hub opening	URTRS202BCH
200	4	OH/UG	#6-350 kcmil	#6-350 kcmil	Closure plate	URTRS213CE
200	4	UG	#6-350 kcmil	#6-350 kcmil	3-5/16 hub opening	URTRS213BEUSCH
200	4	OH	#8-250 kcmil	#8-250 kcmil	2-inch hub mounted	URTRS202NEUSCH
200	4	OH	#8-250 kcmil	#8-250 kcmil	3-5/16 hub opening	UNRRS202BEUSCH
200	4	OH/UG	#6-350 kcmil	#6-350 kcmil	Closure plate	UNRRS213CEUSE
200	4	OH	#8-250 kcmil	#8-250 kcmil	Hub opening	UNRRS213BEUSE
200	4	UG	#6-350 kcmil	#6-350 kcmil	Solid top	UNRRS213AEUSE
200	4	OH/UG	#6-250 kcmil	#6-250 kcmil	5x5 hub opening 3-5/16 adapter plate	1009097CH
125	4	OH	#8-2/0 cu/al	#8-2/0 cu/al	3-5/16 hub opening	URS101BCRCH
125	4	OH	#8-2/0 cu/al	#8-2/0 cu/al	1-1/4-inch bolt-on hub	URRS101LCH
125	4	OH	#8-2/0 cu/al	#8-2/0 cu/al	Hub cover plate	URTRS101BE
125	4	OH	#8-2/0 cu/al	#8-2/0 cu/al	Hub cover plate	URTRS101CE
125	4	OH	#8-2/0 cu/al	#8-2/0 cu/al	3-5/16 hub cover plate	UNRRS101BEUSE
125	4	OH	#8-2/0 cu/al	#8-2/0 cu/al	Closure plate	UNRRS101CEUSE
125	4	OH/UG	#8-2/0 cu/al	#8-2/0 cu/al	3-5/16 hub cover plate	UNRRS111BEUSE
125	4	UG	#8-2/0 cu/al	#8-2/0 cu/al	Solid top	UNRRS111AEUSE
125	4	OH	#8-2/0 cu/al	#8-2/0 cu/al	3-5/16 hub opening	URSTRS101BCH

Note

For dimensions, see **Pages V1-T4-8 and V1-T4-9.**

Dimensions

Approximate Dimensions in Inches (mm)

Residential Ringless Type Cover

Catalog Number	Height	Width	Depth
UTRS240ACH	18.63 (473.2)	13.00 (330.2)	4.94 (125.5)
UTRS2303CCH	20.00 (508.0)	13.00 (330.2)	4.94 (125.5)
UTRS223ACH	13.00 (330.2)	13.00 (330.2)	4.94 (125.5)
UTRS220ACH	15.13 (384.3)	13.00 (330.2)	4.94 (125.5)
UTRS213CFLCH	15.00 (381.0)	11.00 (279.4)	4.37 (111.0)
UTRS213CEPCH	15.00 (381.0)	11.00 (279.4)	4.37 (111.0)
UGTRS213CE	15.13 (384.3)	11.25 (285.8)	4.50 (114.3)
UTRS213CE	15.13 (384.3)	11.25 (285.8)	4.50 (114.3)
UATRS213BCH	15.13 (384.3)	11.25 (285.8)	4.50 (114.3)
URS213BCH	15.00 (381.0)	11.00 (279.4)	4.36 (110.7)
UTRS213BE	15.13 (384.3)	11.25 (285.8)	4.50 (114.3)
UTRS213AFLCH	15.00 (381.0)	11.00 (279.4)	4.37 (111.0)
UTRS213ACH	15.00 (381.0)	11.00 (279.4)	4.36 (110.7)
UTRS2138BCH	20.00 (508.0)	13.00 (330.2)	4.94 (125.5)
UTRS212ACH	14.00 (355.6)	11.00 (279.4)	4.37 (111.0)
UTRS212CCH	14.00 (355.6)	11.00 (279.4)	4.36 (110.7)
UTRS212CFLCH	14.00 (355.6)	11.00 (279.4)	4.36 (110.7)
UTRS212BCH	14.00 (355.6)	11.00 (279.4)	4.36 (110.7)
UTRS202NCH	14.00 (355.6)	8.00 (203.2)	4.36 (110.7)
UATRS202BFLCH ①	14.00 (355.6)	8.00 (203.2)	4.36 (110.7)
UTRS232CCH	17.12 (434.8)	13.00 (330.2)	4.93 (125.2)
UTRS202BCH	14.00 (355.6)	8.00 (203.2)	4.36 (110.7)
URS212ACH	14.00 (355.6)	11.00 (279.4)	4.38 (111.3)
URS202NCH	14.00 (355.6)	8.00 (203.2)	4.38 (111.3)
URS202BDQCH	14.00 (355.6)	8.00 (203.2)	4.38 (111.3)
UFHTRS213CCH ②	15.00 (381.0)	11.00 (279.4)	4.38 (111.3)
UHTRS213BCH	15.00 (381.0)	11.00 (279.4)	4.38 (111.3)
UHTRS213CCH	15.00 (381.0)	11.00 (279.4)	4.38 (111.3)
UHTRS202BCH	14.00 (355.6)	8.00 (203.2)	4.38 (111.3)
UHTRS233CCH	17.13 (435.1)	13.00 (330.2)	4.94 (125.5)
UHTRS223ARHCH	13.00 (330.2)	13.00 (330.2)	4.94 (125.5)
UFHTRS223ACH	13.00 (330.2)	13.00 (330.2)	4.94 (125.5)
UGHTRS223ACH	13.00 (330.2)	13.00 (330.2)	4.94 (125.5)
UHTRS223ACH	13.00 (330.2)	13.00 (330.2)	4.94 (125.5)
UHTRS213CE	15.00 (381.0)	11.00 (279.4)	4.38 (111.3)
UHTRS213BE	15.00 (381.0)	11.00 (279.4)	4.38 (111.3)
UHTRS213AE	15.00 (381.0)	11.00 (279.4)	4.38 (111.3)
UHTRS203BCH	15.00 (381.0)	8.00 (203.2)	4.38 (111.3)
UHTRS202BCH	14.00 (355.6)	8.00 (203.2)	4.38 (111.3)
UHRS223ACVCH	13.00 (330.2)	13.00 (330.2)	4.94 (125.5)

Residential Ringless Type Cover, continued

Catalog Number	Height	Width	Depth
UHRS213BCVCH	15.00 (381.0)	11.00 (279.4)	4.38 (111.3)
UGTRS213CE	15.13 (384.3)	11.25 (285.8)	4.50 (114.3)
UGTRS213BE	15.13 (384.3)	11.25 (285.8)	4.50 (114.3)
786685217918	15.13 (384.3)	11.25 (285.8)	4.50 (114.3)
UGHTRS213BE	15.13 (384.3)	11.25 (285.8)	4.50 (114.3)
UGHRS212CKCH	14.00 (355.6)	11.00 (279.4)	4.38 (111.3)
UFTRS202BCH	14.00 (355.6)	8.00 (203.2)	4.38 (111.3)
UFHTRS202BCH	14.00 (355.6)	8.00 (203.2)	4.38 (111.3)
UBHTRS223ARHCH	13.00 (330.2)	13.00 (330.2)	4.94 (125.5)
UBHRS223ACH	13.00 (330.2)	13.00 (330.2)	4.94 (125.5)
UBHRS202BCH	14.00 (355.6)	8.00 (203.2)	4.38 (111.3)
UATRS213CFLCH	15.00 (381.0)	11.00 (279.4)	4.38 (111.3)
UAHTRS233CSHCH	17.13 (435.1)	13.00 (330.2)	4.94 (125.5)
UAHTRS223AFLCH	13.00 (330.2)	13.00 (330.2)	4.94 (125.5)
UAHTRS202BFLCH	14.00 (355.6)	8.00 (203.2)	4.38 (111.3)
U92197CCPLCH	14.13 (358.9)	13.00 (330.2)	4.94 (125.5)
1009928CH	15.00 (381.0)	11.00 (279.4)	4.38 (111.3)
1009874ACH	15.00 (381.0)	13.00 (330.2)	4.94 (125.5)
1009046CH	20.75 (527.1)	9.00 (228.6)	4.94 (125.5)
1008941CH	17.13 (435.1)	13.00 (330.2)	4.94 (125.5)
1008940CH	17.13 (435.1)	13.00 (330.2)	4.94 (125.5)
1008827CH	13.00 (330.2)	13.00 (330.2)	4.94 (125.5)
1008819CH	13.00 (330.2)	13.00 (330.2)	4.94 (125.5)
1008717CH	15.00 (381.0)	13.00 (330.2)	4.94 (125.5)
1008617CH	15.00 (381.0)	13.00 (330.2)	4.94 (125.5)
1007817CH	15.00 (381.0)	11.00 (279.4)	4.38 (111.3)
1007699CH	14.00 (355.6)	8.00 (203.2)	4.38 (111.3)
1007665CH	14.00 (355.6)	8.00 (203.2)	4.38 (111.3)
1007588CH	13.00 (330.2)	13.00 (330.2)	4.94 (125.5)
1007448ACH	19.00 (482.6)	11.00 (279.4)	4.38 (111.3)
1004884ARHCH ③	13.00 (330.2)	13.00 (330.2)	4.93 (125.2)
1004884ACH	13.00 (330.2)	13.00 (330.2)	4.93 (125.2)
1004710ECH	14.00 (355.6)	11.00 (279.4)	4.38 (111.3)
1004709DCH	N/A	N/A	N/A
1004455BCH	15.00 (381.0)	8.00 (203.2)	4.38 (111.3)
1004161ACH	14.00 (355.6)	8.00 (203.2)	4.38 (111.3)
1004159ACH	15.00 (381.0)	11.00 (279.4)	4.38 (111.3)
1003879ACH	15.00 (381.0)	8.00 (203.2)	4.38 (111.3)
1003878ACH	15.00 (381.0)	11.00 (279.4)	4.38 (111.3)
UTRS502BCH	14.00 (355.6)	8.00 (203.2)	4.38 (111.3)

Notes

- ① Aluminum enclosure.
- ② Barrel lock.
- ③ Right hand incoming.

Approximate Dimensions in Inches (mm)

Residential Ringless Type Cover, continued

Catalog Number	Height	Width	Depth
UTRS502BCH	14.00 (355.6)	8.00 (203.2)	4.36 (110.7)
UTRS502CCH	14.00 (355.6)	8.00 (203.2)	4.36 (110.7)
1006385BCH	N/A	N/A	N/A
UTRS111BCH	14.00 (355.6)	11.00 (279.4)	4.36 (110.7)
UBTRS101BCH	10.88 (276.4)	8.00 (203.2)	3.50 (88.9)
UTRS101LCH	10.88 (276.4)	8.00 (203.2)	3.50 (88.9)
UTRS101CE	11.05 (280.7)	8.22 (208.8)	3.61 (91.7)
UTRS101BE	11.05 (280.7)	8.22 (208.8)	3.61 (91.7)
URS101CCPLCH	10.88 (276.4)	8.00 (203.2)	3.50 (88.9)
URS101BDQCH	10.88 (276.4)	8.00 (203.2)	3.50 (88.9)
URS101BCPLCH	10.88 (276.4)	8.00 (203.2)	3.50 (88.9)
URS101BCH	10.88 (276.4)	8.00 (203.2)	3.50 (88.9)
UHTRS101BCH	10.88 (276.4)	8.00 (203.2)	3.50 (88.9)
UHTRS111BCH	14.00 (355.6)	11.00 (279.4)	4.38 (111.3)
UHTRS101LCH	10.88 (276.4)	8.00 (203.2)	3.50 (88.9)
UHTRS101CE	11.05 (280.7)	8.22 (208.8)	3.61 (91.7)
UHTRS101BE	11.05 (280.7)	8.22 (208.8)	3.61 (91.7)
UGRS10101CKCCH	12.00 (304.8)	8.00 (203.2)	3.50 (88.9)
UGHTRS111CCH	14.00 (355.6)	11.00 (279.4)	4.36 (110.7)
UGHTRS101BCH	10.88 (276.4)	8.00 (203.2)	3.50 (88.9)
UBHRS101BCH	10.88 (276.4)	8.00 (203.2)	3.50 (88.9)
UATRZS101CFLCH	10.88 (276.4)	8.00 (203.2)	3.50 (88.9)
UATRZS101CCH	10.87 (276.1)	8.00 (203.2)	3.50 (88.9)
1008947CH	10.89 (276.6)	8.00 (203.2)	3.50 (88.9)
1005826ACH	N/A	N/A	N/A
1004931BCH	10.88 (276.4)	8.00 (203.2)	3.50 (88.9)
1004162ACH	10.89 (276.6)	8.00 (203.2)	3.50 (88.9)
1003880ACH	10.89 (276.6)	8.00 (203.2)	3.50 (88.9)
UTZRS101BFLCH	N/A	N/A	N/A
UTZRS101CFLCH	N/A	N/A	N/A
1009079CH	23.75 (603.3)	8.00 (203.2)	3.48 (88.4)

Residential Ring Type Cover

Catalog Number	Height	Width	Depth
URTRS223ACH	13.00 (330.2)	13.00 (330.2)	4.93 (125.2)
URRS213CCH	15.00 (381.0)	11.00 (279.4)	4.38 (111.3)
URTRS213NEUSCH	15.00 (381.0)	11.00 (279.4)	4.38 (111.3)
URTRS213CEUSCH	15.00 (381.0)	11.00 (279.4)	4.38 (111.3)
1009424CH	15.00 (381.0)	11.00 (279.4)	4.38 (111.3)
1009449CH	18.31 (465.1)	14.19 (360.4)	5.13 (130.3)
URSTRS203BCH	N/A	N/A	N/A
URS212BCRCH	14.00 (355.6)	8.00 (203.2)	4.38 (111.3)
URTRS202BCH	14.00 (355.6)	11.00 (279.4)	4.38 (111.3)
URTRS213BE	14.00 (355.6)	8.00 (203.2)	4.50 (114.3)
URTRS202BCH	15.13 (384.3)	11.25 (285.8)	4.50 (114.3)
URTRS213CE	15.13 (384.3)	11.25 (285.8)	4.50 (114.3)
URTRS213BEUSCH	15.13 (384.3)	11.25 (285.8)	4.50 (114.3)
URTRS202NEUSCH	14.00 (355.6)	8.00 (203.2)	4.38 (111.3)
UNRRS202BEUSCH	14.00 (355.6)	8.00 (203.2)	4.38 (111.3)
UNRRS213CEUSE	15.13 (384.3)	11.25 (285.8)	4.50 (114.3)
UNRRS213BEUSE	15.13 (384.3)	11.25 (285.8)	4.50 (114.3)
UNRRS213AEUSE	15.13 (384.3)	11.25 (285.8)	4.50 (114.3)
1009097CH	19.00 (482.6)	13.00 (330.2)	5.25 (133.4)
URS101BCRCH	10.88 (276.4)	8.00 (203.2)	3.50 (88.9)
URRS101LCH	10.88 (276.4)	8.00 (203.2)	3.50 (88.9)
URTRS101BE	11.00 (279.4)	8.25 (209.6)	3.63 (92.2)
URTRS101CE	11.00 (279.4)	8.25 (209.6)	3.63 (92.2)
UNRRS101BEUSE	10.88 (276.4)	8.00 (203.2)	3.50 (88.9)
UNRRS101CEUSE	10.88 (276.4)	8.00 (203.2)	3.50 (88.9)
UNRRS111BEUSE	14.00 (355.6)	11.00 (279.4)	4.38 (111.3)
URSTRS101BCH	10.88 (276.4)	8.00 (203.2)	3.50 (88.9)

4.1

Metering Products

Meter Sockets

4

Commercial Lever Bypass Sockets



Contents

Description

Description	Page
Single Meter Sockets	V1-T4-2
Commercial Lever Bypass Sockets	
Product Selection	V1-T4-11
Dimensions	V1-T4-15
Multiple Position Horizontal Ganged Sockets	V1-T4-17
Instrument Rated Sockets	V1-T4-23
Residential Pedestals	V1-T4-28
Meter Socket Accessories	V1-T4-30

Commercial Lever Bypass Sockets

Product Description

- Heavy-duty, lever bypass, jaw clamping ringless meter socket design
- 200 A and 320 A styles available
- Single-phase or three-phase
- 4, 5 or 7 terminal available
- 600 Vac maximum rating
- Multiple service design offerings

Standards and Certifications

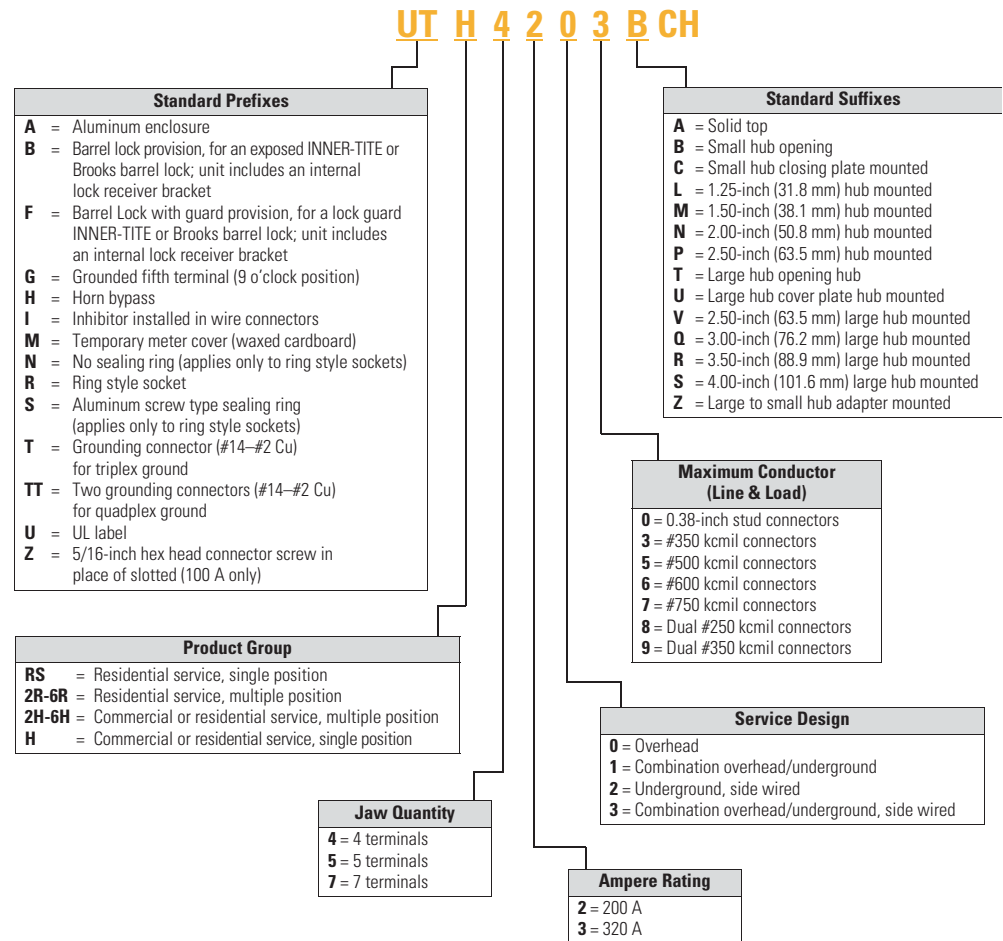
- UL 414 listed and recognized



Catalog Number Selection

Single Meter Sockets H Group

Note: The "U" prefix is always used first followed by other prefixes required in alphabetical order.



Product Selection

Commercial Lever Bypass

Ampere Rating	Jaws	Service	Bypass	Connections Line	Load	Opening, Hub or Closure Plate	Catalog Number
320	7	OH/UG	Lever	#4-600 kcmil	#4-600 kcmil	5x5 hub opening	UTTH7336TCH
320	7	OH	Lever	#600 kcmil	Dual #6-350	5x5 hub opening	UTH73069THLCH
320	7	OH/UG	Lever	#14-1/0 cu/al	#6-350 kcmil	5x5 hub cover plate	UTH73369UHLCH
320	7	OH/UG	Lever	#14-1/0 cu/al	#6-350 kcmil	5x5 hub opening	UTH73369THLCH
320	7	OH/UG	Lever	3/8-inch studs	3/8-inch studs	5x5 hub cover plate	UFTH7330UCH
320	7	OH/UG	Lever	#600 kcmil	#600 kcmil	5x5 hub opening	UTH7336TCH
320	7	OH/UG	Lever	3/8-inch studs	3/8-inch studs	5x5 hub cover plate	UTH7330UCH
320	7	OH/UG	Lever	3/8-inch studs	3/8-inch studs	5x5 hub cover plate	UTH7330UFLCH
320	7	OH/UG	Lever	3/8-inch studs	3/8-inch studs	5x5 hub cover plate	UATH7330UFLCH ①
320	7	OH/UG	Lever	3/8-inch studs	3/8-inch studs	5x5 hub opening	UH7330TCPLCH
320	7	OH/UG	Lever	3/8-inch studs	3/8-inch studs	5x5 hub opening	UTH7330TCH
320	7	OH/UG	Lever	3/8-inch studs	3/8-inch studs	5x5 hub-inch opening	UTTH7330TCH
320	7	OH/UG	Lever	3/8-inch studs	3/8-inch studs	5x5 hub cover plate	UH7300UCPLCH
320	7	OH/UG	Lever	3/8-inch studs	3/8-inch studs	5x5 hub cover plate	UTH7300UCH
320	7	OH/UG	Lever	3/8-inch studs	3/8-inch studs	5x5 hub opening	UTH7300TCH
320	7	OH/UG	Lever	#6-350 kcmil	#6-350 kcmil	Hub closure plate	1006353CCH ②
320	5	OH/UG	Lever	3/8-inch studs	3/8-inch studs	5x5 hub cover plate	UTH5330UFLCH
320	5	OH/UG	Lever	3/8-inch studs	3/8-inch studs	5x5 hub cover plate	UTH5330UCH
320	5	OH	Lever	3/8-inch studs	3/8-inch studs	5x5 hub opening	UTH5300TCH
320	5	OH/UG	Lever	3/8-inch studs	3/8-inch studs	5x5 hub cover plate	UATH5330UFLCH
320	4	OH/UG	lever	#4-600 kcmil	#4-600 kcmil	Hub closure plate	1010468CH ②
320	4	UG	Lever	3/8-inch studs	3/8-inch studs	Solid top	UTH4320ACH
320	4	UG	Lever	3/8-inch studs	Dual #6-350	Solid top	UTH43209ACH
320	4	OH/UG	Lever	#6-350 kcmil	#6-350 kcmil	5x5 hub cover plate	UTH4339UCH
320	4	OH/UG	Lever	#6-250 kcmil	#6-250 kcmil	5x5 hub cover plate	UTH4338UCH
320	4	OH/UG	Lever	#4-600 kcmil	#4-600 kcmil	5x5 hub cover plate	UTH4336UCH
320	4	OH/UG	Lever	#4-600 kcmil	#4-600 kcmil	5x5 hub opening	UTH4336TCH
320	4	OH/UG	Lever	#4-600 kcmil	#6-350 kcmil	5x5 hub cover plate	UTH43369UCH
320	4	OH/UG	Lever	#4-600 kcmil	#6-350 kcmil	5x5 hub opening	UTH43369TCH
320	4	OH/UG	Lever	3/8-inch studs	3/8-inch studs	3-5/16 hub cover plate	UTTH4330UCH
320	4	OH/UG	Lever	3/8-inch studs	3/8-inch studs	3-5/16 hub cover plate	UTH4330UCH
320	4	OH/UG	Lever	3/8-inch studs	3/8-inch studs	5x5 hub opening	UBTH4330TCH
320	4	OH/UG	Lever	3/8-inch studs	3/8-inch studs	5x5 hub opening	UTH4330TCH
320	4	OH/UG	Lever	3/8-inch studs	3/8-inch studs	5x5 cover plate	UTH4300UCH
320	4	OH/UG	Lever	3/8-inch studs	3/8-inch studs	5x5 hub opening	UTH4300TCH
320	5	OH/UG	Lever	3/8-inch studs	3/8-inch studs	5x5 hub cover plate	UH5300UKCCH
320	4	OH/UG	Lever	#6-250 kcmil	#4-600 kcmil	5x5 hub cover plate	UH43168UCPLCH
320	4	OH/UG	Lever	#4-600 kcmil	#6-250 kcmil	5x5 hub cover plate	UH43068TCPLCH
320	5	OH/UG	Lever	3/8-inch studs	3/8-inch studs	5x5 hub cover plate	UGTH4330UCH
320	5	OH/UG	Lever	3/8-inch studs	3/8-inch studs	5x5 hub opening	UGTH4330TCH
320	7	OH/UG	Lever	3/8-inch studs	3/8-inch studs	5x5 hub opening	UFTH7330TCH
320	4	OH/UG	Lever	3/8-inch studs	3/8-inch studs	5x5 hub opening	UFTH4330TCH

Notes

- ① Aluminum enclosure.
- ② Austin Energy approved.

For dimensions, see **Pages V1-T4-15** and **V1-T4-16**.

4.1

Metering Products

Meter Sockets

Commercial Lever Bypass, continued

Ampere Rating	Jaws	Service	Bypass	Connections Line	Load	Opening, Hub or Closure Plate	Catalog Number
320	7	OH/UG	Lever	#4–600 kcmil	#4–600 kcmil	5x5 hub opening	UATH7336TCH
320	5	OH/UG	Lever	3/8-inch studs	3/8-inch studs	5x5 hub cover plate	UATH5330UFLCH
320	4	OH/UG	Lever	#4–600 kcmil	#4–600 kcmil	5x5 hub opening	UATH4336TCH
320	4	OH/UG	Lever	3/8-inch studs	3/8-inch studs	5x5 hub opening	UATH4330TCH
320	4	OH/UG	Lever	3/8-inch studs	3/8-inch studs	5x5 hub cover plate	1009788CH
320	4	OH/UG	Lever	3/8-inch studs	3/8-inch studs	5x5 hub cover plate	1009788ACH [Ⓢ]
320	4	OH/UG	Lever	Dual #6–350	Dual #6–350	(2) 5x5 hub cover plates	1009760ACH
320	4	OH/UG	Lever	Dual #6–350	Dual #6–350	5x5 hub cover plate	1009722CH
320	4	OH/UG	Lever	3/8-inch studs	3/8-inch studs	5x5 hub cover plate	782116975945
320	4	OH/UG	Lever	3/8-inch studs	3/8-inch studs	5x5 hub cover plate	1009260CH
320	7	OH/UG	Lever	#4–600 kcmil/ Dual 1/0–250 kcmil cu/al	#4–600 kcmil/ Dual 1/0–250 kcmil cu/al	5x5 hub opening	1009181CH
320	4	UG	Lever	#6–350 kcmil	#6–350 kcmil	Solid top	1009018CH
320	4	OH/UG	Lever	3/8-inch studs	3/8-inch studs	5x5 hub opening	1008950CH
320	4	OH/UG	Lever	3/8-inch studs	3/8-inch studs	5x5 hub opening	1008948CH
320	4	UG	Lever	3/8-inch studs	3/8-inch studs	Solid top	1008848CH
320	4	OH/UG	Lever	3/8-inch studs	3/8-inch studs	5x5 hub opening	1008837CH
320	4	OH/UG	Lever	3/8-inch studs	3/8-inch studs	5x5 hub opening	1008836CH
320	7	OH/UG	Lever	3/8-inch studs	3/8-inch studs	5x5 hub opening	1008798CH
320	4	OH/UG	Lever	3/8-inch studs	3/8-inch studs	5x5 hub opening	1008793CH
320	5	OH/UG	Lever	3/8-inch studs	3/8-inch studs	5x5 hub opening	1008792CH
320	7	OH/UG	Lever	#4–600 kcmil/ Dual 1/0–250 kcmil cu/al	#4–600 kcmil/ Dual 1/0–250 kcmil cu/al	5x5 hub opening	1008543CH
320	4	OH/UG	Lever	#4–600 kcmil cu/al	#4–600 kcmil cu/al	5x5 hub opening	1008541CH
320	4	UG	Lever	N/A	N/A	Solid top	1008540CH
320	4	OH/UG	Lever	#4–600 kcmil cu/al	#4–600 kcmil cu/al	Solid top	1008435CH
320	4	OH/UG	Lever	3/8-inch studs	3/8-inch studs	5x5 hub opening	1008191CH
320	4	OH/UG	Lever	#6–350 kcmil	#6–350 kcmil	5x5 hub opening	1008068CH
320	4	OH/UG	Lever	N/A	N/A	N/A	1007818CH
320	4	OH/UG	Lever	3/8-inch studs	3/8-inch studs	5x5 hub opening	1007801CH
320	4	OH/UG	Lever	3/8-inch studs	3/8-inch studs	5x5 hub opening	1007672CH
320	4	OH/UG	Lever	#6–350 kcmil	#6–350 kcmil	5x5 hub opening	1006344ACH
320	4	OH/UG	Lever	TBD	TBD	5x5 hub opening	1004984ACH
320	4	OH/UG	N/A	#4–600 kcmil	#4–600 kcmil	3-inch bolt-on hub	1004771BCH
200	7	OH/UG	Lever	3/8-inch studs	3/8-inch studs	N/A	UBTH7230ACH
200	7	OH/UG	Lever	#6–350 kcmil	#6–350 kcmil	5x5 hub cover plate	UTH7233UCH

Notes

[Ⓢ] Bolted in shield.

For dimensions, see **Pages V1-T4-15 and V1-T4-16.**

Commercial Lever Bypass, continued

Ampere Rating	Jaws	Service	Bypass	Connections Line	Load	Opening, Hub or Closure Plate	Catalog Number
200	7	OH/UG	Lever	#6-350 kcmil	#6-350 kcmil	5x5 hub cover plate	UTE7213UFLCH
200	7	OH/UG	Lever	#6-350 kcmil	#6-350 kcmil	3-5/16 hub cover plate	UETH72137UCH
200	7	OH/UG	Lever	#6-350 kcmil	#6-350 kcmil	3-5/16 hub cover plate	UTE7213UCH
200	7	OH/UG	Lever	#6-350 kcmil	#6-350 kcmil	5x5 hub opening	UTE7213THLCH
200	7	OH/UG	Lever	#6-350 kcmil	#6-350 kcmil	5x5 hub opening	UBHRS212BCH
200	7	OH/UG	Lever	#6-350 kcmil	#6-350 kcmil	5x5 hub opening	UBEH7213TCH
200	7	OH/UG	Lever	#6-350 kcmil	#6-350 kcmil	5x5 hub opening	UTFE7213TCH ^①
200	7	OH/UG	Lever	#6-350 kcmil	#6-350 kcmil	Large to small hub adapter	UTE7213ZCH
200	7	OH/UG	Lever	#6-350 kcmil	#6-350 kcmil	5x5 hub opening	UTE7213TCH
200	7	OH/UG	Lever	#6-350 kcmil	#6-350 kcmil	3-5/16 hub cover plate	UTE7213CFLCH
200	7	OH/UG	Lever	#6-350 kcmil	#6-350 kcmil	3-5/16 hub cover plate	UTE7213CCH
200	7	OH/UG	Lever	#6-350 kcmil	#6-350 kcmil	3-5/16 hub opening	UBTE7213BCH
200	7	OH/UG	Lever	#6-350 kcmil	#6-350 kcmil	3-5/16 hub opening	UTE7213BCH
200	7	OH/UG	Lever	3/8-inch studs	3/8-inch studs	5x5 hub cover plate	UTE7210UCH
200	7	OH	Lever	#6-350 kcmil	#6-350 kcmil	5x5 hub opening	UTE7203TCH
200	7	OH	Lever	#6-350 kcmil	#6-350 kcmil	3-5/16 hub opening	UTE7203BCH
200	5	OH/UG	Lever	#6-350 kcmil	#6-350 kcmil	5x5 hub cover plate	UETH5213UCH
200	5	OH/UG	Lever	#6-350 kcmil	#6-350 kcmil	5x5 hub opening	UTE5213TCH
200	5	OH/UG	Lever	#6-350 kcmil	#6-350 kcmil	5x5 hub opening	UTTE5213TCH
200	5	OH/UG	Lever	#6-350 kcmil	#6-350 kcmil	3-5/16 hub cover plate	UTE5213CCH
200	5	OH/UG	Lever	#6-350 kcmil	#6-350 kcmil	3-5/16 hub opening	UTE5213BNDCH
200	5	OH/UG	Lever	#6-350 kcmil	#6-350 kcmil	Large to small hub adapter	UTE5213ZCH
200	5	OH/UG	Lever	#6-350 kcmil	#6-350 kcmil	5x5 hub cover plate	UTE5213UFLCH
200	5	OH/UG	Lever	#6-350 kcmil	#6-350 kcmil	3-5/16 hub cover plate	UTE5213CFLCH
200	5	OH/UG	Lever	#6-350 kcmil	#6-350 kcmil	3-5/16 hub opening	UTE5213BCH
200	5	OH/UG	Lever	3/8-inch studs	3/8-inch studs	3-5/16 hub cover plate	UTE5210CCH
200	5	OH	Lever	#6-350 kcmil	#6-350 kcmil	3-5/16 hub opening	UTE5203BCH
200	4	OH/UG	Lever	#6-350 kcmil	#6-350 kcmil	5x5 hub opening with adapter plate	UTE4213ZCH
200	5	OH/UG	Lever	#6-350 kcmil	#6-350 kcmil	5x5 hub cover plate	UGTE4213CCH
200	4	OH/UG	Lever	#6-350 kcmil	#6-350 kcmil	5x5 hub opening	UTE4213TCH
200	4	OH/UG	Lever	#6-350 kcmil	#6-350 kcmil	5x5 hub cover plate	UTTE4213UCH ^②

Notes

- ① Barrel lock.
- ② TT = quadplex ground.

For dimensions, see Pages V1-T4-15 and V1-T4-16.

Commercial Lever Bypass, continued

Ampere Rating	Jaws	Service	Bypass	Connections Line	Load	Opening, Hub or Closure Plate	Catalog Number
200	4	OH/UG	Lever	#6–350 kcmil	#6–350 kcmil	5x5 hub cover plate	UTE4213CCH
200	4	OH/UG	Lever	#6–350 kcmil	#6–350 kcmil	3-5/16 hub opening	UTE4213BCH
200	4	OH	Lever	#6–350 kcmil	#6–350 kcmil	3-5/16 hub opening	UTE4203BCH
200	7	OH/UG	Lever	#6–350 kcmil	#6–350 kcmil	5x5 hub cover plate	UIH7213UCVCH
200	7	OH/UG	Lever	#6–350 kcmil	#6–350 kcmil	3-5/16 hub cover plate	UE7213CCCCH
200	7	OH/UG	Lever	#6–350 kcmil	#6–350 kcmil	3-5/16 hub cover plate	UE7213CCPLCH
200	7	OH/UG	Lever	#6–350 kcmil	#6–350 kcmil	3-5/16 hub opening	UE7213BCPLCH
200	5	OH/UG	Lever	#6–350 kcmil	#6–350 kcmil	3-5/16 hub opening	UGTE4213BCH
200	4	OH/UG	Lever	#6–350 kcmil	#6–350 kcmil	3-5/16 hub cover plate	UGE4213CCCCH
200	7	OH/UG	Lever	#6–350 kcmil	#6–350 kcmil	3-5/16 hub opening	UFTE7213BCH
200	7	OH/UG	Lever	#6–350 kcmil	#6–350 kcmil	5x5 hub opening	UATE7213TCH
200	5	OH/UG	Lever	#6–350 kcmil	#6–350 kcmil	3-5/16 hub cover plate	UATE5213CCH
200	4	OH/UG	Lever	#6–350 kcmil	#6–350 kcmil	5x5 hub cover plate	UATE4213UFLCH
200	5	OH	Lever	#6–350 kcmil	#6–350 kcmil	3-5/16 hub opening	UBGTE4203BCH
200	7	UG	Lever	4/0 compression line	#6–350 kcmil cu/al load	Solid top	1009845ECH
200	5	OH/UG	Lever	#6–350 kcmil	#6–350 kcmil	3-5/16 hub cover plate	1008801ECH
200	5	OH/UG	Lever	3/8-inch studs	3/8-inch studs	3-5/16 hub cover plate	1008832ECH
200	4	UG	Lever	#6–350 kcmil	#6–350 kcmil	Solid top	1007944ECH
200	7	OH/UG	Lever	#6–350 kcmil cu/al	#6–350 kcmil cu/al	5x5 hub opening	1007670ECH
200	7	OH/UG	Lever	#6–350 kcmil	#6–350 kcmil	5x5 hub opening	UTTE7213TCH

Note

For dimensions, see **Pages V1-T4-15** and **V1-T4-16**.

Dimensions

Approximate Dimensions in Inches (mm)

Commercial Lever Bypass

Catalog Number	Height	Width	Depth
UTTH7336TCH	39.89 (1013.2)	20.00 (508.0)	6.50 (165.1)
UTH73069THLCH	N/A	N/A	N/A
UTH73369UHLCH	39.89 (1013.2)	20.00 (508.0)	6.50 (165.1)
UTH73369THLCH	39.89 (1013.2)	20.00 (508.0)	6.50 (165.1)
UFTH7330UCH	39.89 (1013.2)	20.00 (508.0)	6.50 (165.1)
UTH7336TCH	39.89 (1013.2)	20.00 (508.0)	6.50 (165.1)
UTH7330UCH	39.89 (1013.2)	20.00 (508.0)	6.50 (165.1)
UTH7330UFLCH	39.89 (1013.2)	20.00 (508.0)	6.50 (165.1)
UATH7330UFLCH ①	39.89 (1013.2)	20.00 (508.0)	6.50 (165.1)
UH7330TCPPLCH	39.89 (1013.2)	20.00 (508.0)	6.50 (165.1)
UTH7330TCH	39.89 (1013.2)	20.00 (508.0)	6.50 (165.1)
UTTH7330TCH	39.89 (1013.2)	20.00 (508.0)	6.50 (165.1)
UH7300UCPLCH	39.89 (1013.2)	20.00 (508.0)	6.50 (165.1)
UTH7300UCH	39.89 (1013.2)	20.00 (508.0)	6.50 (165.1)
UTH7300TCH	34.50 (876.3)	15.00 (381.0)	5.63 (143.0)
UTH5330UFLCH	39.88 (1013.0)	20.00 (508.0)	6.50 (165.1)
UTH5330UCH	39.88 (1013.0)	20.00 (508.0)	6.50 (165.1)
UTH5300TCH	39.88 (1013.0)	20.00 (508.0)	6.50 (165.1)
UATH5330UFLCH	39.88 (1013.0)	20.00 (508.0)	6.50 (165.1)
UTH4320ACH	26.00 (660.4)	15.00 (381.0)	5.68 (144.3)
UTH43209ACH	N/A	N/A	N/A
UTH4339UCH	36.63 (930.4)	15.00 (381.0)	5.69 (144.5)
UTH4338UCH	29.00 (736.6)	15.00 (381.0)	5.69 (144.5)
UTH4336UCH	36.63 (930.4)	15.00 (381.0)	5.69 (144.5)
UTH4336TCH	36.63 (930.4)	15.00 (381.0)	5.69 (144.5)
UTH43369UCH	36.63 (930.4)	15.00 (381.0)	5.69 (144.5)
UTH43369TCH	36.63 (930.4)	15.00 (381.0)	5.69 (144.5)
UTTH4330UCH	36.63 (930.4)	15.00 (381.0)	5.69 (144.5)
UTH4330UCH	36.63 (930.4)	15.00 (381.0)	5.69 (144.5)
UBTH4330TCH	36.63 (930.4)	15.00 (381.0)	5.69 (144.5)
UTH4330TCH	36.63 (930.4)	15.00 (381.0)	5.69 (144.5)
UTH4300UCH	34.50 (876.3)	13.00 (330.2)	4.94 (125.5)
UTH4300TCH	34.50 (876.3)	13.00 (330.2)	4.94 (125.5)
UH5300UKCCH	34.50 (876.3)	13.00 (330.2)	4.94 (125.5)
UH43168UCPLCH	34.50 (876.3)	15.00 (381.0)	5.69 (144.5)
UH43068TCPPLCH	34.50 (876.3)	13.00 (330.2)	4.94 (125.5)
UGTH4330UCH	36.63 (930.4)	15.00 (381.0)	5.69 (144.5)
UGTH4330TCH	36.63 (930.4)	15.00 (381.0)	5.69 (144.5)
UFTH7330TCH	39.88 (1013.0)	20.00 (508.0)	6.50 (165.1)
UFTH4330TCH	36.63 (930.4)	15.00 (381.0)	5.69 (144.5)

Commercial Lever Bypass, continued

Catalog Number	Height	Width	Depth
UATH7336TCH	39.88 (1013.0)	20.00 (508.0)	6.50 (165.1)
UATH5330UFLCH	39.88 (1013.0)	20.00 (508.0)	6.50 (165.1)
UATH4336TCH	36.63 (930.4)	15.00 (381.0)	5.69 (144.5)
UATH4330TCH	36.63 (930.4)	15.00 (381.0)	5.69 (144.5)
1009788CH	34.50 (876.3)	13.00 (330.2)	4.94 (125.5)
1009788ACH ②	34.50 (876.3)	13.00 (330.2)	4.94 (125.5)
1009760ACH	36.63 (930.4)	15.00 (381.0)	5.68 (144.3)
1009722CH	36.63 (930.4)	15.00 (381.0)	5.68 (144.3)
782116975945	36.63 (930.4)	15.00 (381.0)	5.69 (144.5)
1009260CH	36.63 (930.4)	15.00 (381.0)	5.69 (144.5)
1009181CH	34.50 (876.3)	15.00 (381.0)	5.69 (144.5)
1009018CH	63.00 (1600.2)	12.97 (329.4)	4.94 (125.5)
1008950CH	39.88 (1013.0)	20.00 (508.0)	6.50 (165.1)
1008948CH	36.63 (930.4)	15.00 (381.0)	5.69 (144.5)
1008848CH	58.00 (1473.2)	12.97 (329.4)	4.94 (125.5)
1008837CH	36.63 (930.4)	15.00 (381.0)	6.50 (165.1)
1008836CH	36.63 (930.4)	15.00 (381.0)	6.50 (165.1)
1008798CH	34.50 (876.3)	15.00 (381.0)	5.69 (144.5)
1008793CH	34.50 (876.3)	13.00 (330.2)	4.94 (125.5)
1008792CH	34.50 (876.3)	13.00 (330.2)	4.94 (125.5)
1008543CH	39.89 (1013.2)	20.00 (508.0)	6.60 (167.6)
1008541CH	36.63 (930.4)	15.00 (381.0)	5.69 (144.5)
1008540CH	N/A	N/A	N/A
1008435CH	26.00 (660.4)	15.00 (381.0)	5.69 (144.5)
1008191CH	36.63 (930.4)	15.00 (381.0)	5.69 (144.5)
1008068CH	34.50 (876.3)	16.44 (417.6)	6.50 (165.1)
1007818CH	N/A	N/A	N/A
1007801CH	28.50 (723.9)	18.00 (457.2)	5.69 (144.5)
1007672CH	36.63 (930.4)	15.00 (381.0)	5.69 (144.5)
1006344ACH	28.50 (723.9)	18.00 (457.2)	5.69 (144.5)
1004984ACH	36.63 (930.4)	15.00 (381.0)	5.69 (144.5)
1004771BCH	36.62 (930.1)	15.00 (381.0)	5.68 (144.3)
UBTH7230ACH	N/A	N/A	N/A
UTH7233UCH	27.00 (685.8)	16.00 (406.4)	5.63 (143.0)

Notes

- ① Aluminum enclosure.
- ② Bolted in shield.

4.1

Metering Products

Meter Sockets

Approximate Dimensions in Inches (mm)

Commercial Lever Bypass, continued

Catalog Number	Height	Width	Depth
UTE7213UFLCH	19.00 (482.6)	13.00 (330.2)	4.94 (125.5)
UETH72137UCH	19.00 (482.6)	13.00 (330.2)	4.94 (125.5)
UTE7213UCH	19.00 (482.6)	13.00 (330.2)	4.94 (125.5)
UTE7213THLCH	19.00 (482.6)	13.00 (330.2)	4.94 (125.5)
UBHRS212BCH	19.00 (482.6)	13.00 (330.2)	4.94 (125.5)
UBEH7213TCH	19.00 (482.6)	13.00 (330.2)	4.94 (125.5)
UFTE7213TCH ①	19.00 (482.6)	13.00 (330.2)	4.94 (125.5)
UTE7213ZCH	19.00 (482.6)	13.00 (330.2)	4.94 (125.5)
UTE7213TCH	19.00 (482.6)	13.00 (330.2)	4.94 (125.5)
UTE7213CFLCH	19.00 (482.6)	13.00 (330.2)	4.94 (125.5)
UTE7213CCH	19.00 (482.6)	13.00 (330.2)	4.94 (125.5)
UBTE7213BCH	19.00 (482.6)	13.00 (330.2)	4.94 (125.5)
UTE7213BCH	19.00 (482.6)	13.00 (330.2)	4.94 (125.5)
UTE7210UCH	24.69 (627.1)	13.00 (330.2)	4.94 (125.5)
UTE7203TCH	19.00 (482.6)	10.50 (266.7)	4.94 (125.5)
UTE7203BCH	19.00 (482.6)	10.50 (266.7)	4.94 (125.5)
UETH5213UCH	19.00 (482.6)	13.00 (330.2)	4.94 (125.5)
UTE5213TCH	19.00 (482.6)	13.00 (330.2)	4.94 (125.5)
UTTE5213TCH	19.00 (482.6)	13.00 (330.2)	4.94 (125.5)
UTE5213CCH	19.00 (482.6)	13.00 (330.2)	4.94 (125.5)
UTE5213BNDCH	19.00 (482.6)	13.00 (330.2)	4.94 (125.5)
UTE5213ZCH	19.00 (482.6)	13.00 (330.2)	4.94 (125.5)
UTE5213UFLCH	19.00 (482.6)	13.00 (330.2)	4.94 (125.5)
UTE5213CFLCH	19.00 (482.6)	13.00 (330.2)	4.94 (125.5)
UTE5213BCH	19.00 (482.6)	13.00 (330.2)	4.94 (125.5)
UTE5210CCH	20.13 (511.3)	13.00 (330.2)	4.94 (125.5)
UTE5203BCH	19.00 (482.6)	10.50 (266.7)	4.94 (125.5)
UTE4213ZCH	19.00 (482.6)	13.00 (330.2)	4.94 (125.5)
UGTE4213CCH	19.00 (482.6)	13.00 (330.2)	4.94 (125.5)
UTE4213TCH	19.00 (482.6)	13.00 (330.2)	4.94 (125.5)
UTTE4213UCH ②	19.00 (482.6)	13.00 (330.2)	4.94 (125.5)
UTE4213CCH	19.00 (482.6)	13.00 (330.2)	4.94 (125.5)
UTE4213BCH	19.00 (482.6)	13.00 (330.2)	4.94 (125.5)
UTE4203BCH	19.00 (482.6)	10.50 (266.7)	4.94 (125.5)
UIH7213UCVCH	19.00 (482.6)	13.00 (330.2)	4.94 (125.5)
UE7213CCCH	19.00 (482.6)	13.00 (330.2)	4.94 (125.5)
UE7213CCPLCH	19.00 (482.6)	13.00 (330.2)	4.94 (125.5)
UE7213BCPLCH	19.00 (482.6)	13.00 (330.2)	4.94 (125.5)

Commercial Lever Bypass, continued

Catalog Number	Height	Width	Depth
UGTE4213BCH	19.00 (482.6)	13.00 (330.2)	4.94 (125.5)
UGE4213CCCH	19.00 (482.6)	13.00 (330.2)	4.94 (125.5)
UFTE7213BCH	19.00 (482.6)	13.00 (330.2)	4.94 (125.5)
UATE7213TCH	19.00 (482.6)	13.00 (330.2)	4.94 (125.5)
UATE5213CCH	19.00 (482.6)	13.00 (330.2)	4.94 (125.5)
UATE4213UFLCH	19.00 (482.6)	13.00 (330.2)	4.94 (125.5)
UBGTE4203BCH	19.00 (482.6)	10.50 (266.7)	4.94 (125.5)
1009845ECH	64.00 (1625.6)	11.00 (279.4)	6.00 (152.4)
1008801ECH	19.00 (482.6)	13.00 (330.2)	4.94 (125.5)
1008832ECH	24.69 (627.1)	13.00 (330.2)	4.94 (125.5)
1007944ECH	22.00 (558.8)	16.00 (406.4)	5.69 (144.5)
1007670ECH	19.00 (482.6)	13.00 (330.2)	4.94 (125.5)
UTTE7213TCH	19.00 (482.6)	13.00 (330.2)	4.94 (125.5)

Notes

- ① Barrel lock.
- ② TT = quadplex ground.

Multiple Position Horizontal Ganged Sockets



Contents

Description	Page
Single Meter Sockets	V1-T4-2
Commercial Lever Bypass Sockets	V1-T4-10
Multiple Position Horizontal Ganged Sockets	
Product Selection	V1-T4-18
Dimensions	V1-T4-21
Instrument Rated Sockets	V1-T4-23
Residential Pedestals	V1-T4-28
Meter Socket Accessories	V1-T4-30

Multiple Position Horizontal Ganged Sockets

Product Description

- Available in 100 A and 200 A designs
- Available in 2-position through 6-position designs
- Multiple service design offerings
- Multiple line/load lug configurations
- Residential or lever bypass socket designs

Multiple hub opening and closure plate sizes available

Catalog Number Selection

Single Meter Sockets 2R-6R and 2H-6H Group

Note: The "U" prefix is always used first followed by other prefixes required in alphabetical order.

UT 2R 1 1 2 1 B CH

Standard Prefixes	
A	= Aluminum enclosure
B	= Barrel lock provision, for an exposed INNER-TITE or Brooks barrel lock; unit includes an internal lock receiver bracket
F	= Barrel lock with guard provision, for a lock guard INNER-TITE or Brooks barrel lock; unit includes an internal lock receiver bracket
G	= Grounded fifth terminal (9 o'clock position)
H	= Horn bypass
I	= Inhibitor installed in wire connectors
M	= Temporary meter cover (waxed cardboard)
N	= No sealing ring (applies only to ring style sockets)
R	= Ring style socket
S	= Aluminum screw type sealing ring (applies only to ring style sockets)
T	= Grounding connector (#14-#2 Cu) for triplex ground
TT	= Two grounding connectors (#14-#2 Cu) for quadplex ground
U	= UL label
Z	= 5/16-inch hex head connector screw in place of slotted (100 A only)

Product Group	
RS	= Residential service, single position
2R-6R	= Residential service, multiple position
2H-6H	= Commercial or residential service, multiple position
H	= Commercial or residential service, single position

Ampere Rating	
1	= 100 A
2	= 200 A

Service Design	
0	= Overhead
1	= Combination overhead/underground
2	= Underground, side wired
3	= Combination overhead/underground, side wired
4	= End feed

Standard Suffixes	
A	= Solid top
B	= Small hub opening
C	= Small hub closing plate mounted
L	= 1.25-inch (31.8 mm) hub mounted
M	= 1.50-inch (38.1 mm) hub mounted
N	= 2.00-inch (50.8 mm) hub mounted
P	= 2.50-inch (63.5 mm) hub mounted
T	= Large hub opening hub
U	= Large hub cover plate hub mounted
V	= 2.50-inch (63.5 mm) large hub mounted
Q	= 3.00-inch (76.2 mm) large hub mounted
R	= 3.50-inch (88.9 mm) large hub mounted
S	= 4.00-inch (101.6 mm) large hub mounted
Z	= Large to small hub adapter mounted

Maximum Load Conductor	
0	= 0.38-inch stud connectors
1	= #2/0 connectors
2	= #250 kcmil connectors
3	= #350 kcmil connectors
5	= #500 kcmil connectors
6	= #600 kcmil connectors
7	= #750 kcmil connectors
8	= Dual #500 kcmil connectors

Maximum Line Conductor	
0	= 0.38-inch stud connectors
1	= #2/0 connectors
2	= #250 kcmil connectors
3	= #350 kcmil connectors
5	= #500 kcmil connectors
6	= #600 kcmil connectors
7	= #750 kcmil connectors
8	= Dual #500 kcmil connectors

Product Selection

UT2R2332BCH



Horizontal Design—Multi Position Ringless

Ampere Rating	Jaws	Position	Service	Bypass	Connections Line	Load	Opening, Hub or Closure Plate	Catalog Number
200	4	2	OH/UG	Horn	#6–350 kcmil	#8–250 kcmil	5x5 hub opening	1004401BCH
200	4	3	OH/UG	Horn	#6–350 kcmil	#8–250 kcmil	5x5 hub opening	1004404BCH
200	5	2	OH/UG	Horn	#6–350 kcmil	#8–250 kcmil	5x5 hub opening	1004418ACH
200	4	2	OH/UG	—	3/8-inch stud	#8–250 kcmil	5x5 hub cover plate	1006737BCH
200	4	2	OH/UG	Horn	3/8-inch stud	#8–250 kcmil	5x5 hub opening	1007700CH
200	4	3	OH/UG	Horn	3/8-inch stud	#8–250 kcmil	Hub opening	1007701CH
200	4	2	OH/UG	Horn	#6–350 kcmil	#8–250 kcmil	5x5 hub cover plate	1008842CH
200	4	3	OH/UG	Horn	1/0–500 kcmil cu/al	#8–250 kcmil	5x5 hub cover plate	1008843CH
200	4	4	OH/UG	Horn	1/0–500 kcmil cu/al	#8–250 kcmil	5x5 hub cover plate	1008844CH
200	4	2	OH/UG	Horn	#6–350 kcmil	#8–250 kcmil	5x5 hub cover plate	1008958CH
200	4	3	OH/UG	Horn	1/0–500 kcmil cu/al	#8–250 kcmil	5x5 hub cover plate	1008959CH
200	4	4	OH/UG	Horn	1/0–500 kcmil cu/al	#8–250 kcmil	5x5 hub cover plate	1008960CH
200	4	5	OH/UG	Horn	(2) 1/0–500 kcmil cu/al	#8–250 kcmil	(2) 5x5 hub cover plate	1009579ACH
200	4	4	OH/UG	Horn	1/0–500 kcmil cu/al	#8–250 kcmil	5x5 hub opening	U4R2352TDQCH
200	4	5	OH/UG	Horn	(2) 1/0–500 kcmil cu/al	#8–250 kcmil	(2) 5x5 hub opening	U5R2392TTDQCH
200	4	6	OH/UG	Horn	(2) 1/0–500 kcmil cu/al	#8–250 kcmil	5x5 hub opening (2) places	U6R2392TTDQCH
200	4	4	OH/UG	Horn	1/0–500 kcmil cu/al	#8–250 kcmil	5x5 hub opening	UBH4R2352TCH
200	4	2	OH/UG	Horn	#6–350 kcmil	#8–250 kcmil	5x5 hub opening	UBH2R2332TCH
200	4	3	OH/UG	Horn	#6–350 kcmil	#8–250 kcmil	5x5 hub opening	UBH3R2332TCH
200	4	4	OH/UG	Horn	3/8-inch stud	#8–250 kcmil	5x5 hub cover plate	UEHT4R2302UCH
200	4	3	OH/UG	Horn	3/8-inch stud	#8–250 kcmil	5x5 hub cover plate	UEHT3R2302UCH
200	4	2	OH/UG	Horn	3/8-inch stud	#8–250 kcmil	5x5 hub cover plate	UEHT2R2302UCH
200	4	2	UG	Horn	#6–350 kcmil	#8–250 kcmil	Solid top	UHI2R2332ACVCH
200	4	2	OH/UG	Horn	#6–350 kcmil	#8–250 kcmil	Hub opening	UHI2R2332TCVCH
200	4	4	UG	Horn	1/0–500 kcmil cu/al	#8–250 kcmil	Solid top	UHI4R2352ACVCH
200	4	2	OH/UG	Horn	#6–350 kcmil	#8–250 kcmil	5x5 hub cover plate	UHTT2R2332UCH
200	4	2	OH/UG	Horn	#6–350 kcmil	#8–250 kcmil	5x5 hub opening	UHT2R2332TCH
200	4	3	OH/UG	Horn	#6–350 kcmil	#8–250 kcmil	5x5 hub opening	UHT3R2332TCH
200	4	3	OH/UG	Horn	1/0–500 kcmil cu/al	#8–250 kcmil	5x5 hub cover plate	UHT3R2352UCH
200	4	4	OH/UG	Horn	1/0–500 kcmil cu/al	#8–250 kcmil	5x5 hub opening	UHT4R2352TCH
200	4	4	OH/UG	—	1/0–500 kcmil cu/al	#8–250 kcmil	5x5 hub cover plate	UT4R2352UFLCH
200	4	4	OH/UG	Horn	1/0–500 kcmil cu/al	#8–250 kcmil	5x5 hub cover plate	UHT4R2352UCH
200	5	2	OH/UG	Lever	1/0–500 kcmil cu/al	#6–350 kcmil	5x5 hub opening	UT2H52353TCH
200	4	2	OH/UG	Horn	#6–350 kcmil	#8–250 kcmil	5x5 hub cover plate	UHT2R2332UCH
200	4	2	OH/UG	—	#6–350 kcmil	#8–250 kcmil	3-5/16 hub opening	UT2R2332BCH
200	4	2	OH/UG	—	#6–350 kcmil	#8–250 kcmil	5x5 hub opening	UAT2R2332TCH ^①
200	4	2	OH/UG	—	#6–350 kcmil	#8–250 kcmil	5x5 hub opening	UT2R2332TCH
200	4	2	OH/UG	—	#6–350 kcmil	#8–250 kcmil	5x5 hub opening	U2R2332TCPLCH
200	4	2	OH/UG	—	#6–350 kcmil	#8–250 kcmil	5x5 hub cover plate	U2R2332UCPLCH
200	4	2	OH/UG	Horn	#6–350 kcmil	#8–250 kcmil	5x5 hub opening	U2R2332TDQCH
200	4	2	OH/UG	—	#6–350 kcmil	#8–250 kcmil	5x5 hub cover plate	UT2R2332UCH
200	4	3	OH/UG	Horn	#6–350 kcmil	#8–250 kcmil	Large 5X5 hub opening	U3R2332TDQCH

Notes

^① Aluminum enclosure.

For dimensions, see **Page V1-T4-21**.

UT2R1121BCH



Horizontal Design—Multi Position Ringless, continued

Ampere Rating	Jaws	Position	Service	Bypass	Connections Line	Load	Opening, Hub or Closure Plate	Catalog Number
200	4	3	OH/UG	Lever	1/0–500 kcmil cu/al	#6–350 kcmil	5x5 hub opening	UT3H42353TCH
200	5	3	OH/UG	Lever	1/0–500 kcmil cu/al	#6–350 kcmil	5x5 hub opening	UT3H52353TCH
200	7	3	OH/UG	Lever	1/0–500 kcmil cu/al	#6–350 kcmil	5x5 hub cover plate	UT3H72353UHLCH
200	4	3	OH/UG	—	#6–350 kcmil	#8–250 kcmil	5x5 hub opening	UT3R2332TCH
200	4	3	OH/UG	—	#6–350 kcmil	#8–250 kcmil	5x5 hub cover plate	UT3R2332UCH
200	4	3	OH/UG	—	1/0–500 kcmil cu/al	#8–250 kcmil	5x5 hub opening	UT3R2352TCH
200	4	4	OH/UG	—	1/0–500 kcmil cu/al	#8–250 kcmil	5x5 hub opening	UT4R2352TCH
200	4	5	OH/UG	Horn	(2) 1/0–500 kcmil cu/al	#8–250 kcmil	5x5 hub opening (in two places)	UHT5R2392TTCH
200	4	5	OH/UG	—	(2) 1/0–500 kcmil cu/al	#8–250 kcmil	5x5 hub opening (in two places)	UT5R2392TCH
200	7	5	OH/UG	Lever	Dual 1/0–500 kcmil	#6–350 kcmil	(2) 5X5 hub closure plates	UT5H72393UUHLCH
200	4	6	OH/UG	Horn	(2) 1/0–500 kcmil cu/al	#8–250 kcmil	5x5 hub opening (in two places)	UHT6R2392TTCH
200	4	6	OH/UG	—	(2) 1/0–500 kcmil cu/al	#8–250 kcmil	5x5 hub opening (in two places)	UT6R2392TCH
200	4	6	OH/UG	—	(2) 1/0–500 kcmil cu/al	#8–250 kcmil	5x5 closure plate (in two places)	UT6R2392UFLCH
200	7	6	OH/UG	Lever	Dual 1/0–500 kcmil	#6–350 kcmil	5x5 closure plate (in two places)	UT6H72393UUHLCH
200	4	6	OH/UG	Horn	(2) 1/0–500 kcmil cu/al	#8–250 kcmil	5x5 hub opening (in two places)	UHT6R2392TTCH
150	4	2	OH/UG	Horn	#6–350 kcmil	#8–250 kcmil	3-5/16 hub opening	U2R5432BDQCH
150	4	5	OH/UG	—	#6–350 kcmil	#8–250 kcmil	3-5/16 hub opening (in two places)	UT5R5632BCH
100	4	6	OH/UG	—	#6–350 kcmil	#8–2/0 cu/al	3-5/16 hub opening	UT6R1131BCH
100	4	2	OH/UG	Horn	#6–250 kcmil	#8–2/0 cu/al	5x5 hub opening	1004426ACH
100	4	2	OH/UG	Horn	#6–250 kcmil	#8–2/0 cu/al	3-5/16 hub opening	1008951CH
100	4	3	OH/UG	Horn	#6–250 kcmil	#8–2/0 cu/al	3-5/16 hub opening	1008952CH
100	4	2	OH/UG	Horn	#6–250 kcmil	#8–2/0 cu/al	3-5/16 hub cover plate	1009693CH
100	4	3	OH/UG	Horn	#6–250 kcmil	#8–2/0 cu/al	3-5/16 hub cover plate	1009694CH
100	4	4	OH/UG	Horn	#6–250 kcmil	#8–2/0 cu/al	3-5/16 hub cover plate	1009695CH
100	4	5	OH/UG	Horn	#6–250 kcmil	#8–2/0 cu/al	3-5/16 hub cover plate	1009696CH
100	4	6	OH/UG	—	#6–350 kcmil	#8–2/0 cu/al	3-5/16 hub cover plate	UAT26R1131CFCLCH ^①
100	4	2	OH/UG	Horn	#6–250 kcmil	#8–2/0 cu/al	3-5/16 hub opening	UBH2R1121BCH
100	4	3	OH/UG	Horn	#6–250 kcmil	#8–2/0 cu/al	3-5/16 hub opening	UBH3R1121BCH
100	4	4	OH/UG	Horn	#6–250 kcmil	#8–2/0 cu/al	3-5/16 hub opening	UBH4R1121BCH
100	4	2	OH/UG	Horn	#6–250 kcmil	#8–2/0 cu/al	3-5/16 hub opening	UHT2R1121BCH
100	4	4	OH/UG	—	#6–250 kcmil	#8–2/0 cu/al	3-5/16 hub opening	UT4R1121BCH
100	4	4	OH/UG	—	#6–250 kcmil	#8–2/0 cu/al	3-5/16 closure plate	UT4R1121CCH
100	4	4	OH/UG	Horn	#6–250 kcmil	#8–2/0 cu/al	3-5/16 hub opening	UHT4R1121BCH
100	4	5	OH/UG	Horn	#6–250 kcmil	#8–2/0 cu/al	3-5/16 hub opening	UHT5R1121BCH
100	4	5	OH/UG	—	#6–250 kcmil	#8–2/0 cu/al	3-5/16 hub opening	UT5R1121BCH
100	4	5	OH/UG	—	#6–250 kcmil	#8–2/0 cu/al	3-5/16 closure plate	UT5R1121CCH
100	4	2	OH/UG	—	#6–250 kcmil	#8–2/0 cu/al	3-5/16 hub opening	UT2R1121BCH
100	4	2	OH/UG	—	#6–250 kcmil	#8–2/0 cu/al	3-5/16 closure plate	UT2R1121CCH
100	4	2	OH/UG	Horn	#6–250 kcmil	#8–2/0 cu/al	3-5/16 closure plate	UHT2R1421CCH
100	4	2	OH/UG	—	#6–250 kcmil	#8–2/0 cu/al	3-5/16 hub opening 3-5/16 hub cover plate	UT2R1421BCH
100	4	3	OH/UG	Horn	#6–250 kcmil	#8–2/0 cu/al	3-5/16 hub opening	UHT3R1121BCH
100	4	3	OH/UG	—	#6–250 kcmil	#8–2/0 cu/al	3-5/16 hub opening	UT3R1121BCH

Notes

① Aluminum enclosure.

For dimensions, see Page V1-T4-21.

Horizontal Design—Multi Position Ring Type

Ampere Rating	Jaws	Position	Service	Bypass	Connections		Opening, Hub or Closure Plate	Catalog Number
					Line	Load		
200	4	2	OH/UG	—	1/0–500 kcmil cu/al	#8–250 kcmil	5x5 hub opening	U2R2352TCRCH
200	4	2	OH/UG	—	#6–350 kcmil	#8–250 kcmil	5x5 hub cover plate	URT2R2332UCH
200	5	4	OH/UG	—	1/0–500 kcmil cu/al	#8–250 kcmil	Large 5x5 hub opening	U4R2352TCRCH
125	5	2	OH	—	#8–350 kcmil	#8–2/0 cu/al	Hub opening	U2V1031BCRCH ①
125	5	3	OH	—	#8–350 kcmil	#8–2/0 cu/al	Hub opening	U3V1031BCRCH ①
100	5	2	OH/UG	—	#6–250 kcmil	#8–2/0 cu/al	3-5/16 opening	U2R1121BCRCH
100	5	3	OH/UG	—	#6–250 kcmil	#8–2/0 cu/al	3-5/16 opening	U3R1121BCRCH
100	5	4	OH/UG	—	#6–250 kcmil	#8–2/0 cu/al	3-5/16 opening	U4R1121BCRCH
100	5	5	OH/UG	—	#6–250 kcmil	#8–2/0 cu/al	3-5/16 opening	U5R1121BCRCH

Notes

① Vertical gang.

For dimensions, see **Page V1-T4-22**.

Dimensions

Approximate Dimensions in Inches (mm)

Horizontal Design—Multi Position Ringless

Catalog Number	Height	Width	Depth
1004401BCH	14.13 (358.9)	24.31 (617.5)	5.38 (136.7)
1004404BCH	14.13 (358.9)	32.47 (824.7)	5.38 (136.7)
1004418ACH	14.13 (358.9)	24.31 (617.5)	5.38 (136.7)
1006737BCH	14.13 (358.9)	24.31 (617.5)	5.38 (136.7)
1007700CH	14.13 (358.9)	24.31 (617.5)	5.38 (136.7)
1007701CH	14.13 (358.9)	32.47 (824.7)	5.38 (136.7)
1008842CH	14.13 (358.9)	24.31 (617.5)	5.38 (136.7)
1008843CH	14.13 (358.9)	32.47 (824.7)	5.38 (136.7)
1008844CH	14.13 (358.9)	40.63 (1032.0)	5.38 (136.7)
1008958CH	14.13 (358.9)	24.31 (617.5)	5.38 (136.7)
1008959CH	14.13 (358.9)	32.47 (824.7)	5.38 (136.7)
1008960CH	14.13 (358.9)	40.63 (1032.0)	5.38 (136.7)
1009579ACH	14.13 (358.9)	54.78 (1391.4)	5.38 (136.7)
U4R2352TDQCH	14.13 (358.9)	40.63 (1032.0)	5.38 (136.7)
U5R2392TTDQCH	14.13 (358.9)	62.94 (1598.7)	5.38 (136.7)
U6R2392TTDQCH	14.13 (358.9)	62.94 (1598.7)	5.38 (136.7)
UBH4R2352TCH	14.13 (358.9)	40.63 (1032.0)	5.38 (136.7)
UBH2R2332TCH	14.13 (358.9)	24.31 (617.5)	5.38 (136.7)
UBH3R2332TCH	14.13 (358.9)	32.47 (824.7)	5.38 (136.7)
UEHT4R2302UCH	14.13 (358.9)	40.63 (1032.0)	5.38 (136.7)
UEHT3R2302UCH	14.13 (358.9)	32.47 (824.7)	5.38 (136.7)
UEHT2R2302UCH	14.13 (358.9)	24.31 (617.5)	5.38 (136.7)
UHI2R2332ACVCH	14.13 (358.9)	24.31 (617.5)	5.38 (136.7)
UHI2R2332TCVCH	14.13 (358.9)	24.31 (617.5)	5.38 (136.7)
UHI4R2352ACVCH	14.13 (358.9)	40.63 (1032.0)	5.38 (136.7)
UHTT2R2332UCH	14.13 (358.9)	24.31 (617.5)	5.38 (136.7)
UHT2R2332TCH	14.13 (358.9)	24.31 (617.5)	5.38 (136.7)
UHT3R2332TCH	14.13 (358.9)	32.94 (836.7)	5.38 (136.7)
UHT3R2352UCH	14.13 (358.9)	32.47 (824.7)	5.38 (136.7)
UHT4R2352TCH	14.13 (358.9)	40.63 (1032.0)	5.38 (136.7)
UT4R2352UFLCH	14.13 (358.9)	40.63 (1032.0)	5.38 (136.7)
UHT4R2352UCH	14.13 (358.9)	40.63 (1032.0)	5.38 (136.7)
UT2H52353TCH	23.56 (598.4)	32.78 (832.6)	6.00 (152.4)
UHT2R2332UCH	14.13 (358.9)	24.31 (617.5)	5.38 (136.7)
UT2R2332BCH	14.13 (358.9)	24.31 (617.5)	5.38 (136.7)
UAT2R2332TCH ①	14.13 (358.9)	24.31 (617.5)	5.38 (136.7)
UT2R2332TCH	14.13 (358.9)	24.31 (617.5)	5.38 (136.7)
U2R2332TCPLCH	14.13 (358.9)	24.31 (617.5)	5.38 (136.7)
U2R2332UCPLCH	14.13 (358.9)	24.31 (617.5)	5.38 (136.7)
U2R2332TDQCH	14.13 (358.9)	24.31 (617.5)	5.38 (136.7)
UT2R2332UCH	14.13 (358.9)	24.31 (617.5)	5.38 (136.7)
U3R2332TDQCH	14.13 (358.9)	32.47 (824.7)	5.38 (136.7)
UT3H42353TCH	23.56 (598.4)	43.91 (1115.3)	6.00 (152.4)
UT3H52353TCH	23.56 (598.4)	43.91 (1115.3)	6.00 (152.4)
UT3H72353UHLCH	23.56 (598.4)	43.91 (1115.3)	5.38 (136.7)

Horizontal Design—Multi Position Ringless, continued

Catalog Number	Height	Width	Depth
UT3R2332TCH	14.13 (358.9)	32.47 (824.7)	5.38 (136.7)
UT3R2332UCH	14.13 (358.9)	32.47 (824.7)	5.38 (136.7)
UT3R2352TCH	14.13 (358.9)	40.63 (1032.0)	5.38 (136.7)
UT4R2352TCH	14.13 (358.9)	40.63 (1032.0)	5.38 (136.7)
UHT5R2392TTCH	14.13 (358.9)	54.78 (1391.4)	5.38 (136.7)
UT5R2392TTCH	14.13 (358.9)	54.78 (1391.4)	5.38 (136.7)
UT5H72393UUHLCH	29.56 (750.8)	72.15 (1832.6)	6.00 (152.4)
UHT6R2392TTCH	14.13 (358.9)	62.94 (1598.7)	5.38 (136.7)
UT6R2392TTCH	14.13 (358.9)	62.94 (1598.7)	5.38 (136.7)
UT6R2392UFLCH	14.13 (358.9)	62.94 (1598.7)	5.38 (136.7)
UT6H72393UUHLCH	23.56 (598.4)	83.28 (2115.3)	6.00 (152.4)
UHT6R2392TTCH	14.13 (358.9)	62.94 (1598.7)	5.38 (136.7)
U2R5432BDQCH	14.13 (358.9)	20.16 (512.1)	5.38 (136.7)
UT5R5632BCH	14.13 (358.9)	48.63 (1235.2)	5.38 (136.7)
UT6R1131BCH	14.13 (358.9)	56.93 (1446.0)	4.50 (114.3)
1004426ACH	14.13 (358.9)	24.31 (617.5)	4.50 (114.3)
1008951CH	14.13 (358.9)	24.31 (617.5)	4.50 (114.3)
1008952CH	14.13 (358.9)	32.47 (824.7)	4.50 (114.3)
1009693CH	14.13 (358.9)	24.16 (613.7)	5.38 (136.7)
1009694CH	14.13 (358.9)	32.31 (820.7)	5.38 (136.7)
1009695CH	14.13 (358.9)	49.94 (1268.5)	5.38 (136.7)
1009696CH	14.13 (358.9)	48.63 (1235.2)	5.38 (136.7)
UAT26R1131CFLCH	14.13 (358.9)	56.94 (1446.3)	4.50 (114.3)
UBH2R1121BCH	14.13 (358.9)	24.94 (633.5)	4.50 (114.3)
UBH3R1121BCH	14.13 (358.9)	32.47 (824.7)	4.50 (114.3)
UBH4R1121BCH	14.13 (358.9)	40.63 (1032.0)	4.50 (114.3)
UHT2R1121BCH	14.13 (358.9)	24.31 (617.5)	4.50 (114.3)
UT4R1121BCH	14.13 (358.9)	40.63 (1032.0)	4.50 (114.3)
UT4R1121CCH	14.13 (358.9)	40.63 (1032.0)	4.50 (114.3)
UHT4R1121BCH	14.13 (358.9)	40.63 (1032.0)	4.50 (114.3)
UHT5R1121BCH	14.13 (358.9)	48.78 (1239.0)	4.50 (114.3)
UT5R1121BCH	14.13 (358.9)	48.78 (1239.0)	4.50 (114.3)
UT5R1121CCH	14.13 (358.9)	48.78 (1239.0)	4.50 (114.3)
UT2R1121BCH	14.13 (358.9)	24.31 (617.5)	4.50 (114.3)
UT2R1121CCH	14.13 (358.9)	24.31 (617.5)	4.50 (114.3)
UHT2R1421CCH	14.13 (358.9)	20.16 (512.1)	5.38 (136.7)
UT2R1421BCH	14.13 (358.9)	20.16 (512.1)	5.38 (136.7)
UHT3R1121BCH	14.13 (358.9)	32.47 (824.7)	4.50 (114.3)
UT3R1121BCH	14.13 (358.9)	32.47 (824.7)	4.50 (114.3)

Note
① Aluminum enclosure.

4.1

Metering Products

Meter Sockets

Approximate Dimensions in Inches (mm)

Horizontal Design—Multi Position Ring Type

Catalog Number	Height	Width	Depth
U2R2352TCRCH	14.13 (358.9)	24.31 (617.5)	5.38 (136.7)
URT2R2332UCH	14.13 (358.9)	24.31 (617.5)	5.38 (136.7)
U4R2352TCRCH	14.13 (358.9)	48.00 (1219.2)	5.38 (136.7)
U2V1031BCRCH ①	8.00 (203.2)	25.63 (650.9)	4.38 (111.1)
U3V1031BCRCH ①	8.00 (203.2)	35.88 (911.2)	4.38 (111.1)
U2R1121BCRCH	14.13 (358.9)	28.00 (711.2)	4.50 (114.3)
U3R1121BCRCH	14.13 (358.9)	38.00 (965.2)	4.50 (114.3)
U4R1121BCRCH	14.13 (358.9)	48.00 (1219.2)	4.50 (114.3)
U5R1121BCRCH	14.13 (358.9)	58.00 (1473.2)	4.50 (114.3)

Note

① Vertical gang.

Instrument Rated Sockets



Contents

<i>Description</i>	<i>Page</i>
Single Meter Sockets	V1-T4-2
Commercial Lever Bypass Sockets	V1-T4-10
Multiple Position Horizontal Ganged Sockets	V1-T4-17
Instrument Rated Sockets	
Product Selection	V1-T4-24
Cross-Reference	V1-T4-25
Dimensions	V1-T4-27
Residential Pedestals	V1-T4-28
Meter Socket Accessories	V1-T4-30

Instrument Rated Sockets

Product Description

- Available in 6, 7, 8 and 13 terminal designs
- 20 A ratings standard
- Multiple service designs available (overhead, underground, overhead/underground)
- Multiple hub opening and closure plate sizes available
- 600 Vac rated
- Single cover/dual cover availability
- Provisional test switches and factory-installed test switch designs available

4.1

Metering Products

Meter Sockets

Product Selection

USTS132CCH



Instrument Rated Sockets

Ampere Rating	Jaws	Service	Opening, Hub or Closure Plate	Catalog Number
20	13 terminal	UG	Solid top	USTH131A123CH
20	13 terminal	OH/UG	3-5/16 hub cover plate	USTS131B102CH
20	13 terminal	OH/UG	3-5/16 hub cover plate	USTS132B101CH
20	13 terminal	OH/UG	3-5/16 hub cover plate	USTS132CCH
20	13 terminal	OH/UG	1-inch bolt-on hub	1008694ACH
20	8 terminal	OH/UG	1-inch bolt-on hub	1008695ACH
20	13 terminal	N/A	N/A	1007003BCH
20	13 terminal	Solid top and bottom	Solid top	1007003CCH
20	13 terminal	OH/UG	3-5/16 hub cover plate	USTL131C207CH
20	13 terminal	OH/UG	Hub opening	USTS131BCH
20	13 terminal	OH/UG	1-1/4-inch bolt-on hub	USTS131L143CH
20	13 terminal	N/A	N/A	USTS132BCH
20	6 terminal	OH/UG	Hub opening	USTS61B138CH
20	6 terminal	OH/UG	Hub opening	UST61BCH
20	8 terminal	OH/UG	Hub opening	USTS82B166CH
20	8 terminal	N/A	Solid top and bottom	1007361BCH
N/A	N/A	N/A	N/A	1008539CH
20	13 terminal	OH/UG	3-5/16 hub cover plate	UASTS131C226CH
20	13 terminal	OH	3-5/16 hub cover plate	1004671CH
20	7 terminal	OH	3-5/16 hub cover plate	ULTS131CCH
20	6 terminal	UG	Solid top	STL61A433CH
20	13 terminal	UG	Solid top	STL131A120CH

Cross-Reference

Meter Sockets

Description	Manufacturer	
	Eaton Part Number	Milbank Part Number
125 A, OH/UG, ringless, triplex ground, hub opening	UTRS101BE	U7487-RL-TG
125 A, OH/UG, ringless, triplex ground, hub cover plate	UTRS101CE	U7487-XL-TG
125 A, OH/UG, ringless, triplex ground, hub opening, horn bypass	UHTRS101BE	U7487-RL-TG-KK
125 A, OH/UG, ringless, triplex ground, hub cover plate, horn bypass	UHTRS101CE	U7487-XL-TG-KK
125 A, OH/UG, ringless, triplex ground, hub opening, fifth terminal	UTRS101BCH + MSR5TK	U7487-RL-TG-5T
125 A, OH/UG, ringless, triplex ground, hub cover plate, fifth terminal	UTRS101CE + MSR5TK	U7487-XL-TG-5T
125 A, OH/UG, ringless, triplex ground, hub opening, horn bypass, fifth terminal	UHTRS101BCH + MSR5TK	U7487-RL-TG-KK-5T
125 A, OH/UG, ringless, triplex ground, hub cover plate, horn bypass, fifth terminal	UGHTRS101CE + MSR5TK	U7487-XL-TG-KK-5T
200 A, OH, ringless, triplex ground, hub opening	UTRS202BCH	U7021-RL-TG
200 A, OH, ringless, triplex ground, hub cover plate	UTRS202CCH	U7021-XL-TG
200 A, OH, ringless, triplex ground, hub opening, horn bypass	UHTRS202BCH	U7021-RL-TG-KK
200 A, OH, ringless, triplex ground, hub cover plate, horn bypass	UHTRS202CCH	U7021-RL-TG-KK
200 A, OH, ringless, triplex ground, hub opening, fifth terminal	UGTRS202BCH	U7021-RL-TG-5T
200 A, OH, ringless, triplex ground, hub cover plate, fifth terminal	UGTRS202CCH	U7021-XL-TG-5T
200 A, OH, ringless, triplex ground, hub opening, horn bypass, fifth terminal	UGHTRS202BCH	U7021-RL-TG-KK-5T
200 A, OH, ringless, triplex ground, hub cover plate, horn bypass, fifth terminal	UGHTRS202CCH	U7021-RL-TG-KK-5T
200 A, OH/UG, ringless, triplex ground, hub opening, 250 kcmil lugs	UTRS212BCH	No cross (no 250 kcmil lugs)
200 A, OH/UG, ringless, triplex ground, hub cover plate, 250 kcmil lugs	UTRS212CCH	No cross (no 250 kcmil lugs)
200 A, OH/UG, ringless, triplex ground, hub opening, horn bypass, 250 kcmil lugs	UHTRS212BCH	No cross (no 250 kcmil lugs)
200 A, OH/UG, ringless, triplex ground, hub cover plate, horn bypass, 250 kcmil lugs	UHTRS212CCH	No cross (no 250 kcmil lugs)
200 A, OH/UG, ringless, triplex ground, hub opening, fifth terminal, 250 kcmil lugs	UGTRS212BCH	No cross (no 250 kcmil lugs)
200 A, OH/UG, ringless, triplex ground, hub cover plate, fifth terminal, 250 kcmil lugs	UGTRS212CCH	No cross (no 250 kcmil lugs)
200 A, OH/UG, ringless, triplex ground, hub opening, horn bypass, fifth terminal, 250 kcmil lugs	UGHTRS212BCH	No cross (no 250 kcmil lugs)
200 A, OH/UG, ringless, triplex ground, hub cover plate, horn bypass, fifth terminal, 250 kcmil lugs	UGHTRS212CCH	No cross (no 250 kcmil lugs)
200 A, OH/UG, ringless, triplex ground, hub opening, 350 kcmil lugs	UTRS213BE	U7040-RL-TG
200 A, OH/UG, ringless, triplex ground, hub cover plate, 350 kcmil lugs	UTRS213CE	U7040-XL-TG
200 A, OH/UG, ringless, triplex ground, hub opening, horn bypass, 350 kcmil lugs	UHTRS213BE	U7040-RL-TG-KK
200 A, OH/UG, ringless, triplex ground, hub cover plate, horn bypass, 350 kcmil lugs	UHTRS213CE	U7040-XL-TG-KK
200 A, OH/UG, ringless, triplex ground, hub opening, fifth terminal, 350 kcmil lugs	UGTRS213BE	U7040-RL-TG-5T
200 A, OH/UG, ringless, triplex ground, hub cover plate, fifth terminal, 350 kcmil lugs	UGTRS213CE	U7040-XL-TG-5T
200 A, OH/UG, ringless, triplex ground, hub opening, horn bypass, fifth terminal, 350 kcmil lugs	UGHTRS213BE	U7040-RL-TG-KK-5T
200 A, OH/UG, ringless, triplex ground, hub cover plate, horn bypass, fifth terminal, 350 kcmil lugs	UGHTRS213CE	U7040-XL-TG-KK-5T
200 A, UG, ringless, triplex ground, solid top	UTRS223ACH	U1980-0-TG
200 A, UG, ringless, triplex ground, solid top, horn bypass	UHTRS223ACH	U1980-0-TG-KK
200 A, UG, ringless, triplex ground, solid top, fifth terminal	UGTRS223ACH	U1980-0-TG-5T
200 A, UG, ringless, triplex ground, solid top, horn bypass, fifth terminal	UGHTRS223ACH	U1980-0-TG-KK-5T

Lever Bypass

Description	Manufacturer	
	Eaton Part Number	Milbank Part Number
200 A, OH, lever bypass, 4 terminal, small hub opening	UTE4203BCH	U9800-RL
200 A, OH, lever bypass, 4 terminal, hub cover plate	UTH4203CCH	U9800-XL
200 A, OH, lever bypass, 4 terminal, large hub opening	UTH4203TCH	U9800-R
200 A, OH, lever bypass, 4 terminal, large hub cover plate	UTH4203UCH	U9800-X
200 A, OH, lever bypass, 5 terminal, small hub opening	UTE5203BCH	U4550-RL
200 A, OH, lever bypass, 5 terminal, hub cover plate	UTH5203CCH	U4550-XL
200 A, OH, lever bypass, 5 terminal, large hub opening	UTH5203TCH	U9559-R
200 A, OH, lever bypass, 5 terminal, large hub cover plate	UTH5203UCH	U9550-X
200 A, OH, lever bypass, 7 terminal, small hub opening	UTE7203BCH	U4701-RL
200 A, OH, lever bypass, 7 terminal, hub cover plate	UTH7203CCH	U4701-XL
200 A, OH, lever bypass, 7 terminal, large hub opening	UTE7203TCH	U4701-R
200 A, OH, lever bypass, 7 terminal, large hub cover plate	UTH7203UCH	U4701-X
200 A, OH/UG, lever bypass, 4 terminal, small hub opening	UTE4213BCH	U9801-RL
200 A, OH/UG, lever bypass, 4 terminal, hub cover plate	UTE4213CCH	U9801-XL
200 A, OH/UG, lever bypass, 4 terminal, large hub opening	UTE4213TCH	U9801-R
200 A, OH/UG, lever bypass, 4 terminal, large hub cover plate	UTH4213UCH	U9801-XL
200 A, OH/UG, lever bypass, 4 terminal, large hub opening with adapter plate	UTE4213ZCH	U9801-RRL
200 A, OH/UG, lever bypass, 4 terminal, large hub opening with adapter and cover plate	UTH4213YCH	U9801-RXL
200 A, OH/UG, lever bypass, 5 terminal, small hub opening	UTE5213BCH	U4551-RL
200 A, OH/UG, lever bypass, 5 terminal, hub cover plate	UTE5213CCH	U4551-XL
200 A, OH/UG, lever bypass, 5 terminal, large hub opening	UTE5213TCH	U9551-R
200 A, OH/UG, lever bypass, 5 terminal, large hub cover plate	UTH5213UCH	U9551-X
200 A, OH/UG, lever bypass, 5 terminal, large hub opening with adapter plate	UTE5213ZCH	U9551-RRL or U4551-RRL
200 A, OH/UG, lever bypass, 5 terminal, large hub opening with adapter and cover plate	UTH5213YCH	U9551-RXL or U4551-RXL
200 A, OH/UG, lever bypass, 7 terminal, small hub opening	UTE7213BCH	U9701-RL or U4701-RL
200 A, OH/UG, lever bypass, 7 terminal, hub cover plate	UTE7213CCH	U9701-XL or U4701-XL
200 A, OH/UG, lever bypass, 7 terminal, large hub opening	UTE7213TCH	U9701-R or U4701-R
200 A, OH/UG, lever bypass, 7 terminal, large hub cover plate	UTE7213UCH	U9701-RX or U4701-RX
200 A, OH/UG, lever bypass, 7 terminal, large hub opening with adapter plate	UTE7213ZCH	U9701-RRL or U4701-RRL
200 A, OH/UG, lever bypass, 7 terminal, large hub opening with adapter and cover plate	UTH7213YCH	U9701-RXL or U4701-RXL
320 A, OH, lever bypass, 4 terminal, large hub opening	UTH4300TCH	U1079-R or U1797-R
320 A, OH, lever bypass, 4 terminal, large hub cover plate	UTH4300UCH	U1079-X or U1797X
320 A, OH/UG, lever bypass, 4 terminal, large hub opening	UTH4330TCH	U2448-R or U2124-R
320 A, OH/UG, lever bypass, 4 terminal, large hub cover plate	UTH4330UCH	U2448-RX or U2124-RX
320 A, OH, lever bypass, 7 terminal, large hub opening	UTH7300TCH	—
320 A, OH, lever bypass, 7 terminal, large hub cover plate	UTH7300UCH	—
320 A, OH/UG, lever bypass, 7 terminal, large hub opening	UTH7330TCH	U2120-R
320 A, OH/UG, lever bypass, 7 terminal, large hub cover plate	UTH7330UCH	U2120-X

Dimensions

Approximate Dimensions in Inches (mm)

Instrument Rated Sockets

Catalog Number	Height	Width	Depth
USTH131A123CH	20.00 (304.8)	12.00 (304.8)	4.36 (110.7)
USTS131B102CH	20.00 (304.8)	12.00 (304.8)	4.36 (110.7)
USTS132B101CH	20.00 (304.8)	12.00 (304.8)	4.36 (110.7)
USTS132CCH	20.00 (304.8)	12.00 (304.8)	4.36 (110.7)
1008694ACH	20.00 (304.8)	12.00 (304.8)	4.36 (110.7)
1008695ACH	20.00 (304.8)	12.00 (304.8)	4.36 (110.7)
1007003BCH	N/A	N/A	N/A
1007003CCH	16.50 (419.1)	14.00 (355.6)	3.50 (88.9)
USTL131207CH	20.00 (304.8)	12.00 (304.8)	4.35 (110.5)
USTS131BCH	20.00 (304.8)	12.00 (304.8)	4.35 (110.5)
USTS131L143CH	20.00 (304.8)	12.00 (304.8)	4.35 (110.5)
USTS132BCH	N/A	N/A	N/A
USTS61B138CH	20.00 (304.8)	12.00 (304.8)	4.35 (110.5)
UST61BCH	20.00 (304.8)	12.00 (304.8)	4.35 (110.5)
USTS82B166CH	20.00 (304.8)	12.00 (304.8)	4.35 (110.5)
1007361BCH	16.50 (419.1)	14.00 (355.6)	3.50 (88.9)
1008539CH	N/A	N/A	N/A
UASTS131C226CH	20.00 (304.8)	12.00 (304.8)	4.35 (110.5)
1004671CH	17.00 (431.8)	10.00 (254.0)	5.00 (127.0)
ULTS131CCH	22.00 (558.8)	12.00 (304.8)	4.94 (125.5)

Residential Pedestals



4

Contents

<i>Description</i>	<i>Page</i>
Single Meter Sockets	V1-T4-2
Commercial Lever Bypass Sockets	V1-T4-10
Multiple Position Horizontal Ganged Sockets	V1-T4-17
Instrument Rated Sockets	V1-T4-23
Residential Pedestals	
Product Selection	V1-T4-29
Dimensions	V1-T4-29
Meter Socket Accessories	V1-T4-30

Residential Pedestals

Product Description

- Available in 100 A, 200 A, 300 A and 320 A designs
- Available in 4- or 5-jaw configurations
- Underground service design is standard
- Bypass options (lever, horn) are available
- Solid top designs

Product Selection

UHTRP242363CH



Residential Pedestals

Ampere Rating	Jaws	Service	Bypass	Connections Line	Load	Opening, Hub or Closure Plate	Catalog Number
320	4	UG	—	3/8-inch studs	3/8-inch studs	Solid top	1008847CH
320	4	UG	Lever	#6–350 kcmil line and line neutral	2/0–250 kcmil load and load neutral	Solid top	1009017CH ①
300	4	UG	Lever	#6–350 kcmil line and line neutral	2/0–250 kcmil load and load neutral	Solid top	—
200	4	UG	Horn	4/0 compression (line) 2/0 compression (neutral)	#6–250 kcmil load and load neutral	Solid top	1006388CH
200	4	UG	Horn	#8–350 kcmil	#8–350 kcmil	Solid top	UHTRP242363CH
200	4	UG	Horn	#6–350 kcmil line and line neutral	#6–250 kcmil load neutral	Solid top	1008846CH
200	4	UG	Horn	#6–350 kcmil line and line neutral	#6–250 kcmil load neutral	N/A	1008961CH
200	5	N/A	N/A	N/A	N/A	N/A	1008966CH
200	4	UG	—	#6–350 kcmil line and line neutral	#6–350 kcmil load and load neutral	Solid top	1009264CH
200	4	UG	—	4/0 compression (line) 2/0 compression (neutral)	#6–350 kcmil load and load neutral	Solid top	1009265CH
100	4	UG	—	#6–350 kcmil line and line neutral	#6–250 kcmil load neutral	Solid top	1009078CH

Dimensions

Approximate Dimensions in Inches (mm)

Residential Pedestals

Catalog Number	Height	Width	Depth
1008847CH	58.00 (1473.2)	12.97 (329.4)	4.93 (125.2)
1009017CH ①	63.00 (1600.2)	12.96 (329.2)	4.93 (125.2)
1006388CH	61.00 (1549.4)	8.96 (227.6)	4.93 (125.2)
UHTRP242363CH	62.63 (1590.8)	8.97 (227.8)	4.94 (125.5)
1008846CH	70.00 (1778.0)	11.00 (279.4)	6.00 (152.4)
1008961CH	69.93 (1776.2)	N/A	6.00 (152.4)
1008966CH	N/A	N/A	N/A
1009264CH	74.00 (1879.6)	8.96 (227.6)	4.93 (125.2)
1009265CH	74.00 (1879.6)	8.97 (227.8)	4.94 (125.5)
1009078CH	69.93 (1776.2)	11.00 (279.4)	6.00 (152.4)

Note

① 200 A breakers.

4.1

Metering Products

Meter Sockets

Meter Socket Accessories

4



Contents

Description

Description	Page
Single Meter Sockets	V1-T4-2
Commercial Lever Bypass Sockets	V1-T4-10
Multiple Position Horizontal Ganged Sockets	V1-T4-17
Instrument Rated Sockets	V1-T4-23
Residential Pedestals	V1-T4-28
Meter Socket Accessories	
Cross-Reference	V1-T4-25
Product Selection	V1-T4-31
Mechanical Lugs	V1-T4-33
Communications Grounding Device (NEC 250.94)	V1-T4-34
Wiring Diagram	V1-T4-34

Meter Socket Accessories

Features and Benefits

Construction Features



1. High strength, glass-filled meter block assembly, lay-in connectors with captive slide nut and screw.



2. 100% plated copper alloy meter jaw with reinforcing spring clip and meter guide.

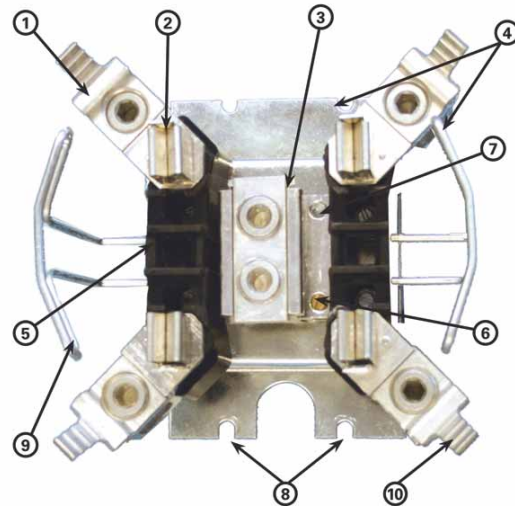


3. Extruded neutral lug with integral triplex ground and quadplex ground provision.



4. Bridge and meter supports are 100% zinc chromate plated.

200 A Ringless Block Assembly With Horn Bypass



5. Fifth terminal locating hole in 9 o'clock position.
6. Triplex ground is a standard feature.
7. Quadplex ground provision.
8. Durable "four-point" bridge mounting (2 top, 2 bottom).
9. Extra rigid meter support for ringless sockets.
10. Optional, integral horn bypass extruded on slide nut. Horn is ribbed for secure attachment to utility bypass jumpers. Field-installable horn bypass kit available.

Product Selection

Meter Socket Accessories

Description	Part Number
Hub Closure Plates	
Hub closure plate meter socket accessories	ARP00002CHB
Clam shell hub closure plate meter socket accessories	ARP00002CHBCS
1-inch hub closure plate meter socket accessories	ARP00003CH1
Clam shell 1-inch hub closure plate—small opening	ARP00003CH1CS
1-1/4-inch hub closure plate meter socket accessories	ARP00004CH12
Clam shell 1-1/4-inch hub closure plate—small opening	ARP00004CH12CS
1-1/2-inch hub closure plate meter socket accessories	ARP00005CH15
Clam shell 1-1/2-inch hub closure plate—small opening	ARP00005CH15CS
2-inch hub closure plate meter socket accessories	ARP00006CH2
Aluminum hub closure plate for single sockets	ARP00008CH
Large hub cover plate	ARP00016CHB
Hubs	
2-inch hub with large diameter opening	ARP00017CH2
2-1/2-inch hub for meter socket accessories	ARP00007CH25
Clam shell 2-1/2-inch hub for meter socket accessories	ARP00007CH25CS
2.5-inch hub with large diameter opening	ARP00018CH25
3-inch hub	ARP00019CH3
3-1/2-inch hub for meter sockets	ARP00020CH35
4-inch hub	ARP00021CH4
Hub adapter from large opening to small opening	ARP00015CHAP
Lug Kits	
(2) #6–250 kcmil, double barrel lug for 4, 5 and 7 terminal 3/8-inch stud sockets	ARP00118CH
#4–600 or (2) 1/0–250 kcmil, single barrel lug for 4, 5 and 7 terminal 3/8-inch stud sockets	ARP00429CH
#6–350 kcmil, single barrel lug for 4, 5 and 7 terminal 3/8-inch stud sockets	ARP00119CH
#4–600 kcmil, single barrel lug for 4, 5 and 7 terminal 3/8-inch stud sockets	ARP00129CH
(2) #6–350 kcmil, double barrel lug for 4 terminal 3/8-inch stud sockets	ARP00427CH
Miscellaneous	
Screw sealing ring for single meter sockets	ARP00027CH
Fifth jaw kit	ARP00035CHJ
Fifth jaw for bolt on meter	ARP00326CH
Neutral insulating kit for lever bypass sockets only	ARP00759CH
100 A meter socket horn cap assembly kit	ARP00777CH
Fifth jaw kit for 320 A offset socket	ARP00862CH
HQ anti-inversion clip for single meter sockets	ARP00984CH
Fifth jaw for Chicago and Wisconsin pedestal	ARP01085CH
350 kcmil BNS cap assembly kit for meter sockets	ARP01226CH
Right hand block assembly with Z Bar	ARP01258CH
Left hand block assembly with Z Bar	ARP01414CH
Meter pack trough closure plate kit	ARP01565CH
2/0 connector kit for MBB and MBP socket breaker	ARP01612CH

Hub Accessories

Description	Manufacturer	
	Eaton Part Number	Milbank Part Number
Small hub cover plate	ARP00002CHB	A7551
1-inch hub	ARP00003CH1	A7514
1-1/4-inch hub	ARP00004CH12	A7515
1-1/2-inch hub	ARP00005CH15	A7516
2-inch hub	ARP00006CH2	A7517
2-1/2-inch hub	ARP00007CH25	A7518
3-inch hub	ARP00019CH3	A8110
3-1/2-inch hub	ARP00020CH35	A8111
4-inch hub	ARP00021CH4	A8112
Large to small hub opening adapter plate	ARP00015CHAP	S8324
Large hub cover plate	ARP00016CHB	S9064

Residential Pedestal Extension Kits

Connections			Approximate Dimensions in Inches (mm)		
Line	Load	Catalog Number	Height	Width	Depth
Pedestal extension kit for 1008846CH	Pedestal extension kit for 1008846CH	1009021CH	18.00 (457.2)	11.00 (279.4)	6.00 (152.4)
		1009022CH	18.00 (457.2)	12.96 (329.2)	4.93 (125.2)
		1009026CH	30.00 (762.0)	12.96 (329.2)	4.93 (125.2)

Mechanical Lugs



Product Description

- Single lug
- Extended tang single lug
- Extended tang triple lug
- Double lug
- Extended tang double lug
- Extended tang quadruple lug

Product Selection

Mechanical Lugs

Description	Style Number
Single #14–#6 mechanical lug	ESL146
Single #14–2/0 mechanical lug	ESL1420
Single #6–250 kcmil mechanical lug	ESL6250
Single #4–500 kcmil mechanical lug	ESL4500
Double #14–2/0 mechanical lug	EDL1420
Double #6–250 kcmil mechanical lug	EDL6250
Extended tang single lug #6–350 kcmil	EPBSL6350
Extended tang single lug 300–800 kcmil	EPBSL300800
Extended tang double lug #6–350 kcmil	EPBDL6350
Extended tang double lug 300–800 kcmil	EPBDL300800
Extended tang triple lug #6–350 kcmil	EPBTL6350
Extended tang triple lug 300–800 kcmil	EPBTL300800
Extended tang quadruple lug #6–350 kcmil	EPBQL6350
Extended tang quadruple lug 300–750 kcmil	EPBQL300800
Extended tang single lug #2–600 kcmil	EPBSL2600
Extended tang single lug 500–1000 kcmil	EPBSL5001000
Extended tang triple lug #2–600 kcmil	EPBTL2600

Dimensions

Mechanical Lugs

Approximate Dimensions in Inches (mm)

Style Number	Height	Width	Length
ESL146	2.50 (63.5)	8.25 (82.6)	3.50 (88.9)
ESL1420	2.50 (63.5)	10.50 (266.7)	3.50 (88.9)
ESL6250	2.50 (63.5)	10.50 (266.7)	3.50 (88.9)
ESL4500	2.50 (63.5)	10.50 (266.7)	3.50 (88.9)
EDL1420	3.50 (88.9)	4.00 (101.6)	3.50 (88.9)
EDL6250	3.50 (88.9)	3.75 (95.3)	4.50 (114.3)
EPBSL6350	2.50 (63.5)	8.25 (82.6)	3.50 (88.9)
EPBSL300800	2.50 (63.5)	10.50 (266.7)	3.50 (88.9)
EPBDL6350	3.50 (88.9)	4.50 (114.3)	5.50 (139.7)
EPBDL300800	3.00 (76.2)	10.50 (266.7)	5.50 (139.7)
EPBTL6350	3.50 (88.9)	4.50 (114.3)	5.50 (139.7)
EPBTL300800	2.50 (63.5)	10.00 (254.0)	5.75 (146.0)
EPBQL6350	2.25 (57.2)	6.50 (165.1)	6.00 (152.4)
EPBQL300800	4.25 (108.0)	8.50 (215.9)	8.50 (215.9)
EPBSL2600	2.50 (63.5)	8.25 (82.6)	3.50 (88.9)
EPBSL5001000	2.50 (63.5)	10.50 (266.7)	3.50 (88.9)
EPBTL2600	2.25 (57.2)	6.50 (165.1)	6.00 (152.4)

4.1

Metering Products

Meter Sockets

4

Communications Grounding Device (NEC 250.94)



Features, Benefits and Functions

Communication Grounding Device Features

- Lay-in lug for ease of installation
- Four bonding terminals
- Heavy-duty zinc-plated steel screws included
- Two mounting holes to securely hold device into place
- For use with copper and aluminum conductors

Cover Features

- Outdoor rated reinforced glass polyester compound
- Suitable for UV exposure
- Paintable exterior, allowing for matching of exterior of home

Product Description

This product is required per the 2008 NEC Article 250.94 "Bonding for Other Systems."

This product is applied externally to residential homes, so that communications systems devices such as satellite, TV, cable and CATV can be properly bonded at a single point. This device has two mounting holes that can be used for easy installation.

Standards and Certifications

- ETL listed

Product Selection

Communication Grounding Device

Wire Range

Bonding Conductor	Ground Electrode	Quantity	Catalog Number
#14-#2-STR-SOL-CU #12-#2-SRT-SOL-AL	#8-1/0-STR-SOL-CU/AL	(1) Clamshell	MSEGR2CS
#14-#2-STR-SOL-CU #12-#2-SRT-SOL-AL	#8-1/0-STR-SOL-CU/AL	(10) Bulk pack	MSEGR2

Dimensions

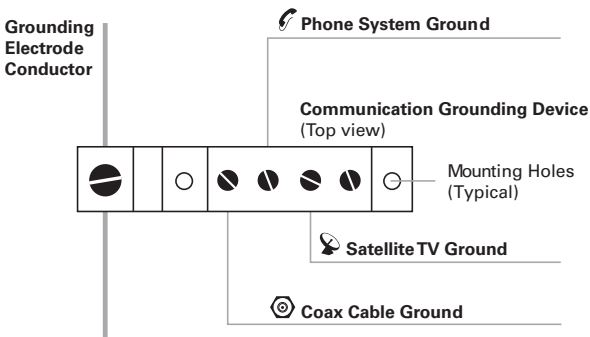
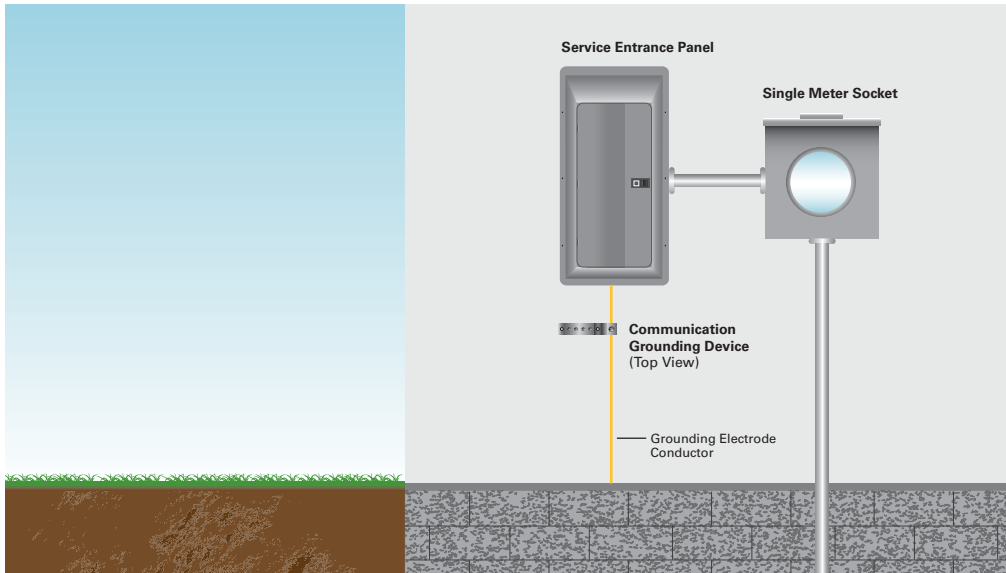
Approximate Dimensions in Inches (mm)

Communication Grounding Device

Catalog Number	Length	Width	Height
MSEGR2CS	0.75 (19.1)	3.90 (99.1)	1.20 (30.5)
MSEGR2	0.75 (19.1)	3.90 (99.1)	1.20 (30.5)

Wiring Diagram

Installation and Configuration



Residential Meter Breakers



Contents

<i>Description</i>	<i>Page</i>
Residential Meter Breakers	
Standards and Certifications	V1-T4-36
Technical Data and Specifications	V1-T4-36
Non-EUSERC Combination Service Entrance Devices 100–200 A Styles	V1-T4-37
EUSERC Required Service Entrance Devices 100–225 A	V1-T4-41
West Coast All-In-One Design	V1-T4-44
House Panels	V1-T4-48
Aluminum Meter Breakers	V1-T4-53
CH Style Renovation Solutions	V1-T4-54
Commercial Safety Sockets	V1-T4-55
Meter Breakers Accessories	V1-T4-58

Residential Meter Breakers

Product Description

A meter breaker is service entrance equipment that consists of a single meter socket and loadcenter (circuit breaker distribution section) or meter socket and main breaker combined in one enclosure. Sometimes called Combos, All-in-Ones, Meter Centers or Meter Mains, these units are increasing in popularity as the socket and loadcenter or main breaker are located in one location, thus providing the contractor with a labor and material savings when installing.

Application Description

In addition to residential installations, meter breakers are equally applicable for rural service entrance, mobile homes and construction site temporary power. Meter breakers are most often sold in the western, southwestern and southeastern United States. The popularity of meter breakers is continuing to increase as more utilities deregulate and pass the responsibility of supplying wathour meter sockets on to the electrical contractor.

Application Considerations

Eaton has the meter breaker to meet your application, offering:

- Non-EUSERC
- EUSERC/West Coast
- House panels
- Commercial safety socket

Non-EUSERC (Page V1-T4-37)

Eaton’s line of non-EUSERC meter breakers are designed for customers served by utilities that are not members of EUSERC.

EUSERC/West Coast (Page V1-T4-44)

Eaton’s line of EUSERC required devices adhere to the agreed upon standards. EUSERC utilities are predominately located in the western United States, but some eastern and midwestern utilities are also members. These units can also be used in many Non-EUSERC areas.

House Panels (Page V1-T4-48)

CH and BR Styles (Page V1-T4-49).

Meter breaker device rated at 300–400 A. Applied in EUSERC and non-EUSERC areas.

Commercial Safety Sockets (Page V1-T4-55)

Applied in EUSERC and non-EUSERC service areas and used in commercial applications.

Features, Benefits and Functions

- Both Type BR and CH branch circuit breaker styles available
- Meets latest NEC wire bending space requirements
- Slotted sealing screws at hub with sealing provision provided
- Surface units are supplied with mounting tabs
- Semi-flush units are supplied with stucco flange
- Meter socket ring landing will accept locking security rings
- Overhead or underground service
- Fifth jaw can be installed in the 3 o’clock or 9 o’clock position
- Semi-flush with nail flange or surface mounting
- Meter mounting and underground pull sections are utility sealable
- Units are rated a minimum of 10 kAIC; some units are 22 kAIC
- Numerous units supplied with center keyhole for ease of mounting
- NEMA 3R rainproof construction

Standards and Certifications

- UL Specification 414 (socket)
- UL File Number E52977
- AEIC-EEI-NEMA Standards (MSJ-7)
- Meet EUSERC utility requirements where noted
- Documented seismic qualified—UBC and CBC Title 24
- UL Specification 67 (panel)

**Technical Data and Specifications**

- Ratings single-phase, three-wire, 120/240 Vac
- 100–225 A main breaker and main lug types
- 10,000 A rms symmetrical short-circuit rating
- Available kAIC ratings: 10 k with BW breaker, 22 k with CSR breaker and 35 k with CSH breaker

Consult TD.31F.01.T.E for dimensions, wiring diagrams and knockouts.

Non-EUSERC Combination Service Entrance Devices



Standard Design Non-EUSERC Panel

Compact Design

Non-EUSERC Combination Service Entrance Devices

Product Description

A device that may include a meter socket, main breaker and loadcenter section within the same enclosure.

- Meter main = meter socket and main breaker
- Meter breaker = meter socket, main breaker and loadcenter section

Application Description

Eaton’s line of non-EUSERC meter breakers are designed for customers served by utilities that are not members of EUSERC.

Contents

<i>Description</i>	<i>Page</i>
Residential Meter Breakers	V1-T4-35
Non-EUSERC Combination Service Entrance Devices 100–200 A Styles	
Catalog Number Selection	V1-T4-38
Product Selection	V1-T4-38
EUSERC Required Service Entrance Devices 100–225 A	V1-T4-41
West Coast All-In-One Design	V1-T4-44
House Panels	V1-T4-48
Aluminum Meter Breakers	V1-T4-53
CH Style Renovation Solutions	V1-T4-54
Commercial Safety Sockets	V1-T4-55
Meter Breakers Accessories	V1-T4-58

Features, Benefits and Functions

Meter Mains and All-in-Ones

- Single-phase, three-wire, 120/240 Vac, 10 kAIC
- Larger lay-in lugs and 3-inch (76.2 mm) knockouts for ease of installation
- Box-type main lugs included
- Factory-installed neutral
- Hub provisions on top endwall. If hubs are required, order “DS” style
- Ring, ringless and ringless with horn bypass styles available
- Ringless style, provided with embossed covers and security latch for utility company lock
- Padlockable device covers provide additional measure of safety and help prevent tampering
- NEMA 3R rainproof construction

Meter Mains

- Meter socket and main breaker
- Stainless steel latches on meter compartments in MBP types
- No distribution section included

All-in-Ones

- Meter socket and loadcenter distribution section
- Stainless steel latches on meter compartments
- Several designs with horn bypass and fifth jaw
- Center-fed main breaker, lugs or provision
- Uses Type BR 1-inch (25.4 mm) wide branch breakers
- Special channel for top exit

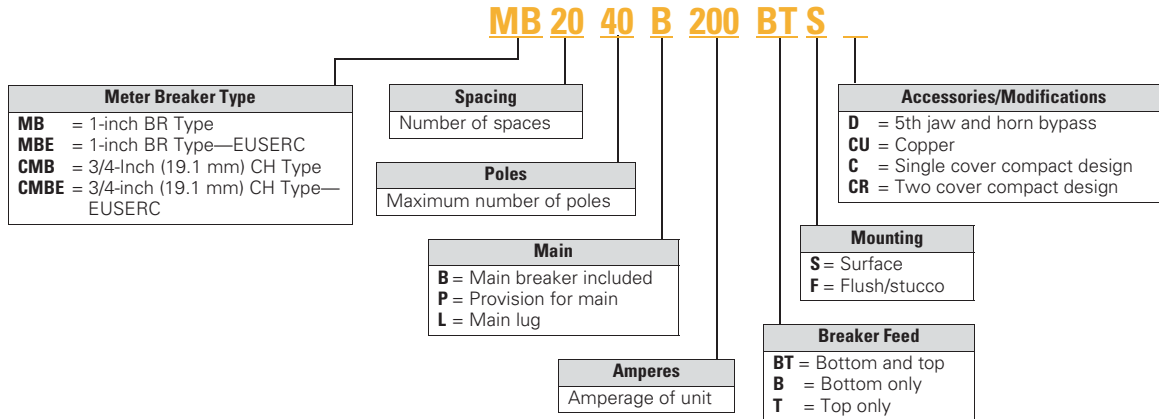
4.2

Metering Products

Meter Breakers

4

Catalog Number Selection



Product Selection

Main Breaker Selection Chart

Maximum Ampere Rating	Two-Pole Breaker Catalog Numbers			
	10 kAIC	25 kAIC	25 kAIC	35 kAIC
100	BW2100	CSR2100	CSR2100N	CSH2100N
125	BW2125	CSR2125	CSR2125N	CSH2125N
150	BW2150	CSR2150	CSR2150N	CSH2150N
200	BW2200	CSR2200	CSR2200N	CSH2200N
Load Side Lug Kit for BW and CSR Breakers ①			MCBK225	

Note: See knockout drawings on Pages V1-T4-61 through V1-T4-67 for hub information.

Ring Style Meter Mains



Combination Service Entrance Devices—Non-EUSERC

Ampere Rating	Bypass	Service	kAIC	Jaws	Distribution	Main	Branch Breaker Type	Dimensions and Enclosure Shape ①	Page Numbers Knockout ①	Catalog Number
Ring Style Meter Mains (no distribution section included)										
150	None	OH/UG	10	4	None	CSR2150	None	13	V1-T4-67	MBB150BTSCR
150	None	OH/UG	22	4	None	CSR2150	None	3	V1-T4-62	CMBB150BTS ⑥⑥
200	None	OH/UG	10	4	None	CSR2200	None	13	V1-T4-67	MBB200BTSCR
200	None	OH/UG	②	4	None	Provision ③	None	3	V1-T4-62	CMBP200BTS ⑥⑥
200	None	OH/UG	22	4	None	CSR2200	None	3	V1-T4-62	CMBB200BTS ⑥⑥
Ringless Meter Mains (no distribution section included)										
150	None	OH/UG	10	4	None	CSR2150	None	13	V1-T4-67	MBB150BTSC ⑥
200	None	OH/UG	10	4	None	CSR2200	None	9	V1-T4-67	MBB200BTS ⑦
200	None	OH/UG	10	4	None	CSR2200	None	13	V1-T4-67	MBB200BTSC ⑥
150	None	OH/UG	10	4	None	CSR2125	None	9	V1-T4-67	MBB150BTS
200	None	OH/UG	②	4	None	Provision ④	None	9	V1-T4-67	MBP200BTS ⑥
200	Horn	OH/UG	②	5	None	Provision ④	None	11	V1-T4-67	MBP200SD
200	Horn	OH/UG	②	5	None	Provision ④	None	9	V1-T4-67	MBP200BTSD
100	Horn	OH/UG	10	5	None	Provision	None	15	V1-T4-67	CHMMB100BTS
150	Horn	OH/UG	10	5	None	CSR2150	None	16	V1-T4-67	CHMMB150BTS
200	Horn	OH/UG	10	5	None	CSR2200	None	16	V1-T4-67	CHMMB200BTS
150	None	OH/UG	10	4	4/8	CSR	BR	—	—	MB48B150TSG
200	None	OH/UG	10	4	4/8	CSR	BR	—	—	MB48B200BTSG
200	Lever	OH/UG	22	4	8/16	CSR	BR	—	—	MBX816B200BTS ⑥
200	Lever	OH/UG	22	4	20/40	CSR	BR	—	—	MBX2040B200BTS ⑥

Notes

- ① See Page V1-T4-61 for box details.
- ② Per installed main breaker rating.
- ③ When a provision for main is provided, order one of the main breakers listed in this table. Panels are labeled to accept Type CSR Main Breakers.
- ④ When a provision for main is provided, order one of the main breakers listed in Page V1-T4-38. Panels are dual labeled to accept Types BW, CSR or CSH Main Breakers.
- ⑥ Copper bus.
- ⑦ One-piece cover on utility side, Florida approved.
- ⑧ Single cover design.
- ⑨ Approved by Xcel Energy Inc.

Ringless Meter Mains



Note: See knockout drawings on Pages V1-T4-61 through V1-T4-67 for hub information.

Ring Style All-in-Ones



4

Combination Service Entrance Devices—Non-EUSERC, continued

Ampere Rating	Bypass	Service	kAIC	Jaws	Distribution	Main	Branch Breaker Type	Dimensions and Enclosure Shape ^①	Page Numbers	
									Knockout ^①	Catalog Number
Ring Style All-in-Ones (includes distribution section)										
125	None	OH/UG	②	4	2/4	None—refer to Distribution CSR2150	CH	2	V1-T4-62	CMB24L125BTS ^{④⑤}
150	None	OH/UG	22	4	8		CH	3	V1-T4-62	CMB88B150BTS ^{④⑤}
200	None	OH/UG	10	4	4/8	CSR2200	BR	3	V1-T4-62	MB48B200BTS ^{⑤⑥}
200	None	OH/UG	22	4	8	CSR2200	CH	3	V1-T4-62	CMB88B200BTS ^{④⑤⑥}
200	None	UG	22	4	32/42	CSR2200	CH	7	V1-T4-61	CMB3242B200BS ^{④⑤}
200	None	OH/UG	22	—	42/42	—	CH	—	—	CMB4242B200BTS ^④
Ringless All-in-Ones (includes distribution section)										
125	None	OH/UG	22	4	4/8	CSR2125	BR	21	V1-T4-64	MBT48B125BTS
150	None	OH/UG	22	4	4/8	CSR2150	BR	21	V1-T4-64	MBT48B150BTS
150	Horn	OH/UG	10	5	8/16	BW2150	BR	11	—	MB816B150STD
150	Horn	OH/UG	10	5	20/40	BW2150	BR	11	V1-T4-66	MB2040B150SD
200	None	OH/UG	10	4	8/16	CSR2200	BR	10	V1-T4-66	MB816B200BTS ^{⑤⑥}
200	None	OH/UG	10	4	8/16	CSR2200	BR	10	V1-T4-66	MB816B200BTSCU ^{④⑤⑥}
200	Horn	OH/UG	10	5	8/16	BW2200	BR	11	—	MB816B200STD
200	None	OH/UG	②	4	8/16	Provision ^③	BR	10	V1-T4-66	MB816P200BTS ^{⑤⑥}
200	None	OH/UG	②	4	8/16	Provision ^③	BR	10	V1-T4-66	MB816P200BTSCU ^{④⑤⑥}
200	Horn	OH/UG	②	5	8/16	Provision ^③	BR	11	V1-T4-66	MB816P200STD ^⑥
200	Horn	OH/UG	②	5	8/16	Provision ^③	BR	10	V1-T4-66	MB816P200BTSD ^⑥
200	None	OH/UG	10	4	12/12	CSR2200	CH	10	V1-T4-62	CMB1212B200BTS ^{④⑤⑥}
200	None	OH/UG	②	4	6–2 Pole	Main lugs	CH	9	V1-T4-63	CMB1212L200BTS ^{④⑥}
200	None	OH/UG	②	4	12/12	Provision ^③	CH	10	V1-T4-63	CMB1212P200BTS ^{④⑤⑥}
200	None	OH/UG	②	4	6–2 Pole	Main lugs	BR	9	V1-T4-63	MB1212L200BTS ^⑥
200	None	OH/UG	22	4	24/24	CSR2200	CH	10	V1-T4-66	CMB2424B200BTS ^{④⑤}
200	None	OH/UG	22	4	24/36	CSR2200	CH	10	V1-T4-66	CMB2436B200BTS ^④
200	None	OH/UG	10	4	20/40	CSR2200	BR	10	V1-T4-66	MB2040B200BTS ^④
200	None	OH/UG	②	4	20/40	Provision ^③	BR	10	V1-T4-66	MB2040P200BTS ^⑤
200	Horn	OH/UG	②	5	20/40	Provision ^③	BR	11	V1-T4-66	MB2040P200SD
200	Horn	OH/UG	10	5	20/40	CSR2200	BR	10	V1-T4-66	MB2040B200SD
200	Lever	OH/UG	10	5	None	CSR2200	None	14	V1-T4-65	CMBXB200BTS ^{④⑦}
200	Lever	OH/UG	10	5	12/12	CSR2200	CH	14	V1-T4-65	CMBX1212B200BTS ^{④⑥⑦}
200	Lever	OH/UG	10	5	32/42	CSR2200	CH	14	V1-T4-65	CMBX3242B200BTS ^{④⑦}
200	Lever	OH/UG	10	5	None	Provision	None	14	V1-T4-65	CMBXP200BTS ^{④⑦}
200	Lever	OH/UG	10	5	12/12	Provision	CH	14	V1-T4-65	CMBX1212P200BTS ^{④⑥⑦}
200	Lever	OH/UG	10	5	32/42	Provision	CH	14	V1-T4-65	CMBX3242P200BTS ^{④⑦}
200	None	OH/UG	②	4	4/8	Provision	BR	21	V1-T4-65	MBT48P200BTS ^⑥
200	None	OH/UG	22	4	4/8	CSR2200	BR	21	V1-T4-65	MBT48B200BTS ^⑥

Notes

- ① See Page V1-T4-61 for box details.
- ② Per installed main breaker rating.
- ③ When a provision for main is provided, order one of the main breakers listed on Page V1-T4-38. All panels are dual labeled to accept Types BW, CSR, CSH Main Breakers.
- ④ Copper bus.
- ⑤ One-piece cover on utility side, Florida approved.
- ⑥ Units come with feed-through lugs.
- ⑦ Approved by Xcel Energy Inc.

EUSERC Required Service Entrance Devices



Meets EUSERC Requirements Service Entrance Devices 100–225 A

Contents

Description	Page
Residential Meter Breakers	V1-T4-35
Non-EUSERC Combination Service Entrance Devices 100–200 A Styles	V1-T4-37
EUSERC Required Service Entrance Devices 100–225 A	
Catalog Number Selection	V1-T4-42
Product Selection	V1-T4-42
West Coast All-In-One Design	V1-T4-44
House Panels	V1-T4-48
Aluminum Meter Breakers	V1-T4-53
CH Style Renovation Solutions	V1-T4-54
Commercial Safety Sockets	V1-T4-55
Meter Breakers Accessories	V1-T4-58

EUSERC Required Service Entrance Devices

Product Description

Eaton is proud to introduce a new line of West Coast/EUSERC Meter Breaker units. The new EUSERC devices complement the existing standard meter breaker devices. Customers who are interested in the complete meter breaker line of products can refer to Technical Data TD.31F.01.T.E.

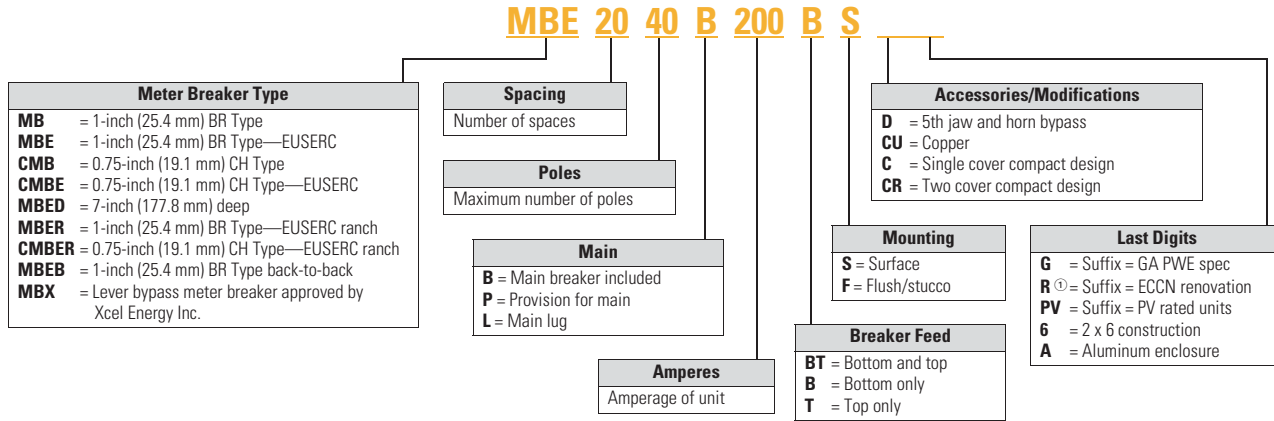
Application Description

Eaton’s line of EUSERC required devices adhere to the agreed upon standards. EUSERC utilities are predominately located in the western United States, but some eastern and midwestern utilities are also members. **These units can also be used in many Non-EUSERC areas.**

Features, Benefits and Functions

- Single-phase, three-wire, 120/240 V, 10 kAIC
- Larger 250 kcmil lugs and additional knockouts for ease of installation
- Box type main lugs are included
- Factory-installed neutrals
- Hub provisions on top endwall. If hubs are required, order “DS” type hubs
- Ring type sockets are provided with a sealing ring
- Padlockable device covers provide an additional measure of security and help prevent tampering
- Most units have center keyhole for easy one-person installation
- NEMA 3R rainproof construction

Catalog Number Selection



Product Selection

Note: See knockout drawings on **Pages V1-T4-61 through V1-T4-67** for hub information.

Combination Service Entrance Devices—EUSERC

Ampere Rating	By-pass	Service	kAIC	Jaws	Distribution	Main	Branch Breaker Type	Dimensions and Enclosure Shape ^②	Page Numbers Knockout ^②	Catalog Number—Surface	Catalog Number—Flush
Ring Style Meter Mains (no distribution section included)											
125	None	OH/UG	③	4	2/4	MLO	BR	2	V1-T4-62	MBE24L125BTS ^④	MBE24L125BTF
125	None	OH/UG	③	4	2/4	MLO	CH	2	V1-T4-62	CMBE24L125BTS ^{④⑤}	—
150	None	OH/UG	22	4	None	CSR2150N	None	3	V1-T4-62	CMBE24L150BTS ^{④⑤}	—
200	None	OH/UG	10	4	None	CSR2200	None	3	V1-T4-62	MBEB200BTS ^④	MBEB200BTF
200	None	OH/UG	22	4	None	CSR2200N	None	3	V1-T4-62	CMBE24L200BTS ^{④⑤}	—
200	None	OH/UG	③	4	2/4	MLO	BR	3	V1-T4-62	MBE24L200BTS ^④	MBE24L200BTF
200	None	OH/UG	③	4	2/4	MLO	CH	3	V1-T4-62	CMBE24L200BTS ^{④⑤}	—
Ring Style All-in-Ones (includes distribution section)											
100	None	OH/UG	10	4	12/24	BR2100	BR	2	V1-T4-62	MBE1224B100BTS	MBE1224B100BTF
100	None	UG	10	4	14/28	BR2100	BR	4	V1-T4-61	MBE1428B100BS ^⑥	MBE1428B100BF ^⑥
100	None	OH	10	4	12/24	BR2100	BR	9	V1-T4-63	MBE1224B100TS	—
125	None	OH/UG	10	4	12/24	BR2125	BR	2	V1-T4-62	MBE1224B125BTS	MBE1224B125BTF
125	None	OH	10	4	12/24	BR2125	BR	9	V1-T4-63	MBE1224B125TS	—
125	None	UG	10	4	18/36	BR2125	BR	5	V1-T4-61	—	MBE1836B125BF ^⑥
150	None	OH/UG	10	4	4/8	CSR2150	BR	19	—	MBER48B150BTS ^{⑦⑧}	—
150	None	OH/UG	22	4	8/8	CSR2150N	CH	19	—	CMBER88B150BTS ^{⑤⑦⑧}	—
150	None	OH/UG	22	4	8	CSR2150N	CH	3	V1-T4-62	CMBE88B150BTS ^{⑤⑦}	CMBE88B150BTF ^{⑤⑦}
150	None	UG	22	4	32/42	CSR2150N	CH	7	V1-T4-61	CMBE3242B150BS ^{⑤⑥}	—
150	None	UG	10	4	20/40	CSR2150	BR	6	V1-T4-61	—	MBE2040B150BF ^{⑥⑨}

Notes

- ① Not available in CR.
- ② See **Page V1-T4-61** for box details.
- ③ Interrupting rating is dependent on the main breaker that is installed.
- ④ Reference drawing EUSERC DWG-301, G1.
- ⑤ Unit has copper bus.
- ⑥ Reference drawing EUSERC DWG-301/301A.
- ⑦ Units come with feed-through lugs.
- ⑧ Units include a two-pole provision for secondary main 70 A max. Type BR, BRH, BRHH.
- ⑨ Please use RH-Type hubs on top end wall for overhead feed.

Note: See knockout drawings on **Pages V1-T4-61 through V1-T4-67** for hub information.

Combination Service Entrance Devices—EUSERC, continued

Ampere Rating	By-pass	Service	kAIC	Jaws	Distribution	Main	Branch Breaker Type	Dimensions and Enclosure Shape ^②	Page Numbers Knockout ^②	Catalog Number—Surface	Catalog Number—Flush
Ring Style All-in-Ones (includes distribution section), continued											
150	None	OH/UG	22	4	20/40	CSR2150	BR	—	—	MBE2040B150BTS ^③	—
150	None	OH/UG	10	4	4/8	CSR2150	BR	3	V1-T4-62	MBE48B150BTS	—
200	None	OH/UG	10	4	4/8	CSR2200	BR	3	V1-T4-62	MBE48B200BTS ^④	MBE48B200BTF ^④
200	None	OH/UG	22	4	8	CSR2200N	CH	3	V1-T4-62	CMBE88B200BTS ^{④⑤}	CMBE88B200BTF ^{④⑤}
200	None	OH/UG	10	4	8	CSR2200	BR	3	V1-T4-62	MBE88B200BTS	—
200	None	OH/UG	10	4	4/8	CSR2200	BR	19	V1-T4-65	MBER48B200BTS ^{④⑥}	—
200	None	OH/UG	10	4	4/8	CSR2200	BR	19	V1-T4-65	MBER48B200BTS ^{④⑥}	—
200	None	OH/UG	②	4	8/16	Provision	BR	10	V1-T4-63	MBE816P200TSCU ^{③⑤}	—
200	None	OH	②	4	8/16	Provision	BR	10	V1-T4-63	MBE816P200TS ^{③④}	—
200	None	UG	②	4	6–2 Pole	Main Lug	CH	5	V1-T4-61	CMBE1212L200BS ^{⑥⑦}	MBE1212L200BTF ^⑦
200	None	OH/UG	②	4	6–2 Pole	Main Lug	BR	9	V1-T4-61	MBE1212L200BTS	—
200	None	OH	10	4	20/40	CSR2200	BR	10	V1-T4-63	MBE2040B200TS ^③	MBE2040B200TF ^⑧
200	None	UG	10	4	20/40	CSR2200	BR	6	V1-T4-61	MBE2040B200BS ^③	MBE2040B200BF ^⑧
200	None	OH/UG	22	4	20/40	CSR2200	BR	—	—	MBE2040BH200BTS ^③	—
200	None	OH/UG	22	4	20/40	CSR2200	BR	—	—	MBE2040BH200BTF ^③	—
200	None	UG	22	4	30/42	CSR2200	BR	7	—	—	MBE3042B200BF
200	None	UG	22	4	32/42	CSR2200N	CH	7	V1-T4-61	CMBE3242B200BS ^{⑥⑦}	CMBE3242B200BF ^{⑥⑦}
200	None	UG	22	4	40	CSR2200	BR	12	—	MBE4040B200BSH ^{③⑦}	—
200	None	OH/UG	22	4	40	CSR2200	BR	12	—	MBE4040B200BTS	MBE4040B200BTF ^⑨
200	None	OH/UG	22	4	42	CSR2200N	CH	12	—	CMBE4242B200BTS ^⑤	—
200	None	OH/UG	10	4	20/40	CSR2200	BR	18	V1-T4-65	MBE2040B200BTS ^③	MBE2040B200BTF ^③
225	None	OH/UG	10	4	20/40	CSR2225	BR	18	V1-T4-65	MBE2040B225BTS ^③	MBE2040B225BTF ^③
225	None	UG	22	4	30/42	CSR2225	BR	7	—	—	MBE3042B225BF ^⑦
225	None	UG	22	4	32/42	CSR2225N	CH	7	V1-T4-61	CMBE3242B225BS ^{⑥⑦}	CMBE3242B225BF ^{⑥⑦}

Notes

- ① See **Page V1-T4-61** for box details.
- ② Interrupting rating is dependent on the main breaker that is installed.
- ③ Please use RH-Type hubs on top end wall for overhead feed.
- ④ Units come with feed-through lugs.
- ⑤ Unit has copper bus.
- ⑥ Semi-flush flange, not full stucco flange.
- ⑦ Reference drawing EUSERC DWG-301/301A.
- ⑧ When a provision for main is provided, order one of the main breakers listed on **Page V1-T4-61**. All panels are dual labeled to accept Types BW or CSR Main Breakers.
- ⑨ Includes factory-mounted 2.50-inch hub on bottom endwall. UG feed only.

West Coast All-In-One Design



Contents

Description	Page
Residential Meter Breakers	V1-T4-35
Non-EUSERC Combination Service Entrance Devices 100–200 A Styles	V1-T4-37
EUSERC Required Service Entrance Devices 100–225 A	V1-T4-41
West Coast All-In-One Design Product Selection	V1-T4-45
Dimensions and Knockouts	V1-T4-45
House Panels	V1-T4-48
Aluminum Meter Breakers	V1-T4-53
CH Style Renovation Solutions	V1-T4-54
Commercial Safety Sockets	V1-T4-55
Meter Breakers Accessories	V1-T4-58

West Coast All-In-One Design

Product Description

A metering device that may contain a meter socket, main breaker and distribution section within the same enclosure.

Features, Benefits and Functions

- Semi-flush mounting. 7-inch design ideal for stucco homes
- Endwall knockouts are easily accessible for future wiring without damaging stucco
- Knockout in back of case for mounting car-charging receptacle in garage (meets future electric car requirements)
- Outboard split neutral for easy wiring
- Commercial grade main breaker
- Value-added kits available: Hub adapter plate

Product Selection

MBED3042B200BF



7-Inch Deep Meter Breaker—Standard Design OH/NG ①

Ampere Rating	Bypass	Service	kAIC	Jaws	Distribution	Main	Branch Breaker Type	Catalog Number—Flush	Factory-Installed Kits
100	None	UG	10	4	18/36	CCVH2100	BR	MBED1836B100BF	—
125	None	UG	10	4	18/36	CCVH2125	BR	MBED1836B125BF	—
200	None	UG	10	4	20/40	CCVH2200	BR	MBED2040B200BF	—
200 ②	None	UG	10	4	20/40	CCVH2200	BR	MBED2040B200BFN	—
200	None	UG	10	4	30/42	CCVH2200	BR	MBED3042B200BF	—
225	None	UG	10	4	20/40	CCVH2225	BR	MBED2040B225BF	—
225 ②	None	UG	10	4	20/40	CCVH2225	BR	MBED2040B225BFN	—
225	None	UG	10	4	30/42	CCVH2225	BR	MBED3042B225BF	—

Dimensions and Knockouts

Approximate Dimensions in Inches (mm)

7-Inch Deep Meter Breaker

Catalog Number—Flush	Height	Width	Depth
MBED1836B100BF	38.00 (965.2)	14.19 (360.4)	7.00 (177.8)
MBED1836B125BF	38.00 (965.2)	14.19 (360.4)	7.00 (177.8)
MBED2040B200BF	38.00 (965.2)	14.19 (360.4)	7.00 (177.8)
MBED2040B200BFN	42.50 (1079.5)	14.19 (360.4)	7.00 (177.8)
MBED3042B200BF	42.50 (1079.5)	14.19 (360.4)	7.00 (177.8)
MBED2040B225BF	38.00 (965.2)	14.19 (360.4)	7.00 (177.8)
MBED2040B225BFN	42.50 (1079.5)	14.19 (360.4)	7.00 (177.8)
MBED3042B225BF	42.50 (1079.5)	14.19 (360.4)	7.00 (177.8)

Notes

- ① Reference drawing EUSERC DWG-301A, G1
- ② Main Breaker Bus connected to 20/40 distribution. Main and Disconnect in same compartment.

4.2

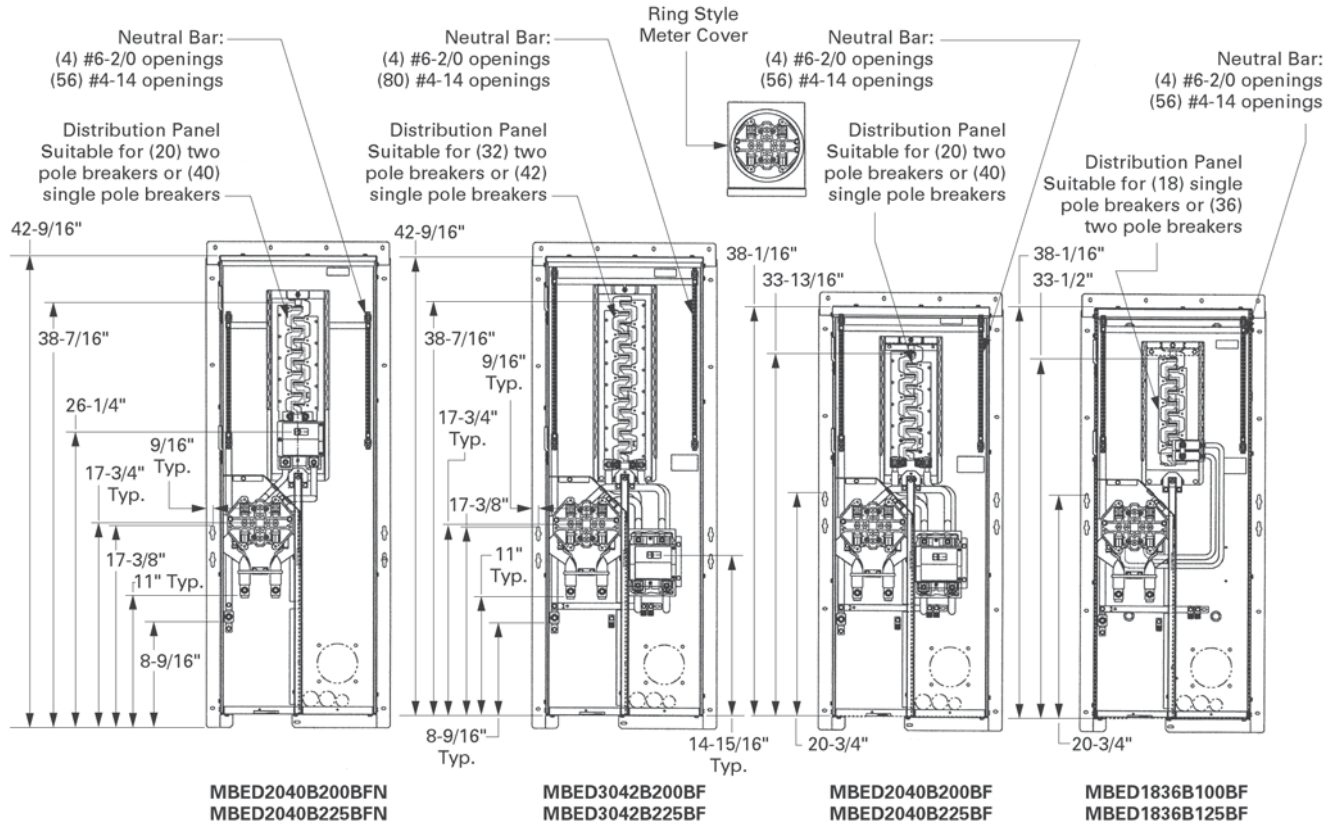
Metering Products

Meter Breakers

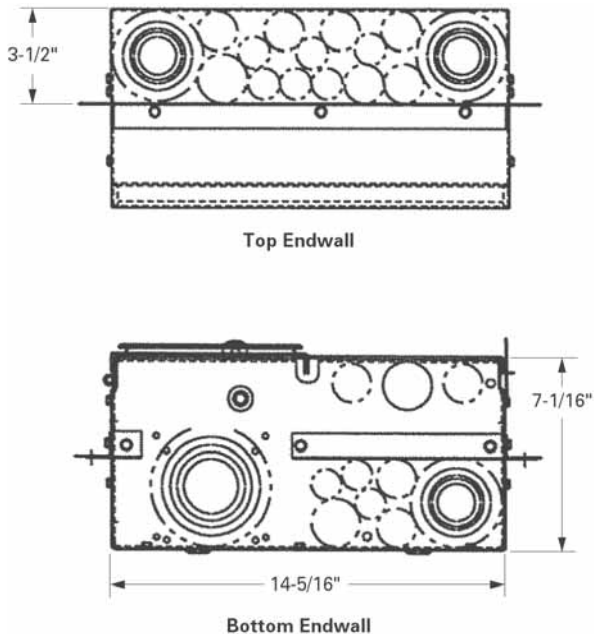
4

Approximate Dimensions in Inches (mm)

Catalog Numbers MBED2040B200BFN, MBED20408225BFN, MBED3042B200BF, MBED3042B225BF, MBED2040B200BF, MBED2040B225BF, MBED1836B100BF, MBED1836B125BF

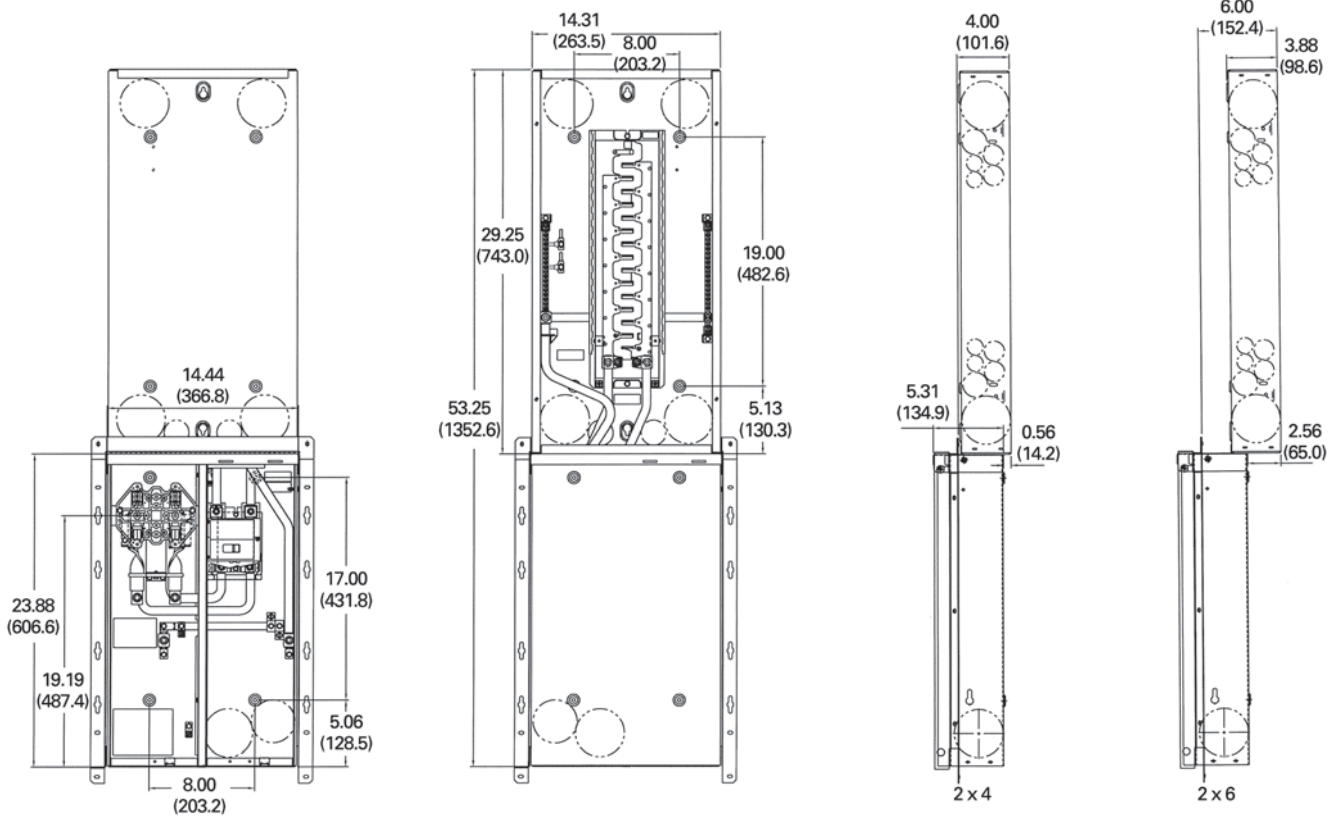


Knockout Configurations and Dimensions for MBED2040B200BFN, MBED20408225BFN, MBED3042B200BF, MBED3042B225BF, MBED2040B200BF, MBED2040B225BF, MBED1836B100BF, MBED1836B125BF

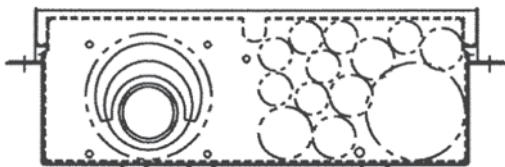
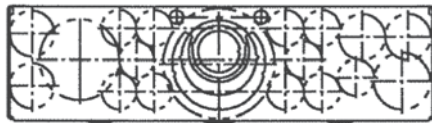


Approximate Dimensions in Inches (mm)

Catalog Numbers MBEB2003040BB, MBEB2253040BB



Knockout Configurations for MBEB2003040BB, MBEB2253040BB



House Panels



Contents

<i>Description</i>	<i>Page</i>
Residential Meter Breakers	V1-T4-35
Non-EUSERC Combination Service Entrance Devices 100–200 A Styles	V1-T4-37
EUSERC Required Service Entrance Devices 100–225 A	V1-T4-41
West Coast All-In-One Design	V1-T4-44
House Panels	
Product Selection	V1-T4-49
Accessories	V1-T4-50
Dimensions and Knockouts	V1-T4-51
Aluminum Meter Breakers	V1-T4-53
CH Style Renovation Solutions	V1-T4-54
Commercial Safety Sockets	V1-T4-55
Meter Breakers Accessories	V1-T4-58

House Panels

Product Description

Eaton’s House Panels offer a faster, easier and safer installation. These 400 A units are ideal for larger homes in North America that require meter breakers. Available in both CH and BR styles, these service entrance devices consist of a meter socket and a distribution section. In response to contractor feedback, these panels have been redesigned with a focus on flexibility, simplified wiring, and an overall ease of installation. All units come standard with a 22 kAIC main breaker. The load conductors can exit the top, bottom, side or back for greater application and installation flexibility.

Application Description

Additionally, Eaton’s House Panels can be used for apartments, condominiums, clubhouses or common areas.

Features, Benefits and Functions

- NEMA 3R rainproof
- Rated for service entrance equipment
- Lever bypass socket available on certain catalog numbers
- Pin type door hinges
- Socket to distribution section is connected via insulated cable for safety
- Second main space can accept 100–200 A BW, CSR or CSR breakers

Standards and Certifications

- Ring style units meet EUSERC requirements
- UL listed



Product Selection

House Panels

400 A "House Panels"



Ampere Rating	Security ①	Bypass ②	Main Breaker	Optional Secondary Main Breaker (Not Included)	Service Type	kAIC	Dist.	Line Side Main Lugs and Neutral (Lugs Not Included)	Semi-Flush Catalog Number ③④	Surface Catalog Number ④
300	Ringless	Lever	CSR2150	BW/CSR	OH/UG	22	8/16	Lug landings for compression	—	HP816P300BSL
300	Ringless	Lever	CSR2150	BW/CSR	UG	22	None		—	HPC30SHL
400	Ring	None	CSR2200N	CSH	UG	22	32/42	Lug landings for compression	—	CG403242SH ⑥
400	Ring	None	CSR2200N	CSH	UG	22	12/12		—	CG1212P400BS ⑥⑦
400	Ring	Manual / TEST ⑤	CSR2200	BRH/CSR	UG	22	None	—	—	HP40SHA ⑧
400	Ring	Manual / TEST ⑤	CSR2200	BRH/CSR	UG	22	40/40	—	—	HP404040SHA ⑧⑨
400	Ring	None	DK2400	None	UG	22	None	—	—	HP40 ⑤
400	Ring	None	CSR2200	BRH/CSR	UG	22	None	—	—	HP40SH ⑥⑧
400	Ring	None	DK2400	None	UG	22	24/42	—	—	HP402442 ⑥
400	Ring	None	CSR220	BRH/CSR	UG	22	40/40	—	HP404040SHF ⑥	HP404040SH ⑥⑧
400	Ring	Manual / TEST ⑤	CSR2200	BRH/CSR	UG	22	40/40	—	HP404040SHFA ⑥	—
400	Ring	None	CSR2200	BRH/CSR	UG	22	8/16	—	—	HP816P400BS ⑥⑦⑩
400	Ringless	Lever	CSR2200N	CSH	UG	22	12/12	—	—	CG1212P400BSL ⑦
400	Ringless	Lever	CSR2200N	CSH	UG	22	42/42	—	—	CG404242SHL
400	Ringless	Lever	CSR2200	BRH/CSR	UG	22	None	—	—	HP40SHL ⑧
400	Ringless	Lever	CSR2200	BRH/CSR	OH/UG	22	None	—	—	HPC40SHL ⑧
400	Ringless	Lever	CSR2200	BRH/CSR	UG	22	40/40	—	—	HP404040SHL ⑧
400	Ringless	Lever	CSR2200	BRH/CSR	UG	22	8/16	—	—	HP816P400BSL ⑦⑧⑩
400	Ringless	Lever	CSR2200	BRH/CSR	OH/UG	22	4/6	—	—	HPC4046SHLG ⑪
400	Ringless	Lever	CSR2200	BRH/CSR	OH/UG	22	4/6	—	—	HPC4046SHLX ⑫
Bolt-On Socket										
400	Ringless	None	DK2400	None	UG	22	24/40	Lug landings for compression	—	HP402440B ⑬
400	Ringless	None	CSR2200	BRH/CSR	UG	22	24/40		—	HP402440SBH ⑬⑭





Notes

- ① Confirm security type for individual EUSERC utility requirements.
- ② Included in all of the following devices.
- ③ If unit needs to be semi-flush, order accessory item catalog number **HPPR** to convert **all** surface mounting devices to semi-flush mounting.
- ④ BR style has **HP** prefix. CH style has **CG** prefix.
- ⑤ "Test" or "Manual" bypass allows utility capability to bypass the meter socket during service operations. The terms are specific to meeting utility requirements but function identically.
- ⑥ Reference drawing EUSERC DWG-302A, G1.
- ⑦ Feed-through lugs included.
- ⑧ For 10 kAIC, use BR or BW breakers as secondary main.
- ⑨ Includes manual bypass and additional ground lug to meet Nevada Power requirements.
- ⑩ To order a 5th Jaw Kit, please order MSL5TK.
- ⑪ Georgia Power approved.
- ⑫ Xcel approved.
- ⑬ Bolt-on meter socket.

Accessories

- Top-feed gutter kit to ease top-fed installation
- Re-engineered, adjustable flush mount kit for a cleaner installation
- 100 A second main breaker kit
- New 750 kcmil box type lug kit

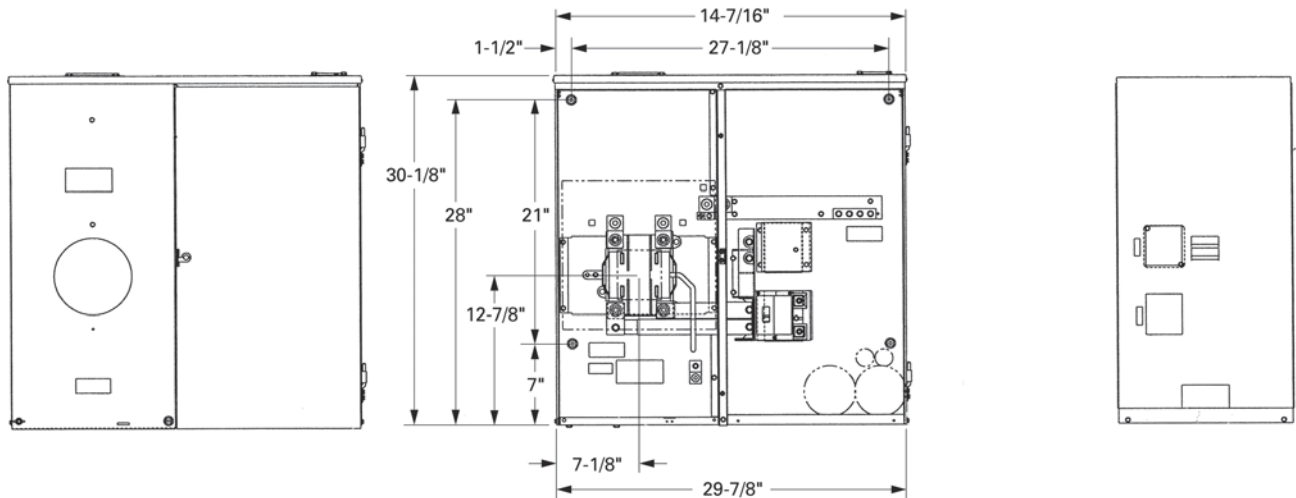
Accessories

	Description	Catalog Number
	Top feed kit to convert surface mount house panel for overhead service	HP40TFKIT
	750 kcmil lug kit	HPBLK750
	Manual bypass kit	HPBPK
	Flushmount kit	HPPR
	100 A 2nd main kit (Type BR branch)	HP2NDMNKIT
	100 A 2nd main kit (Type CH branch)	CH2NDMNKIT
	5th jaw for lever bypass house panels	ARP00326CH
	Locates 3-inch (only) incoming conduit to back of can by utilizing the 4-inch knockout useful in semi-flush applications	HP40HUBPLATE

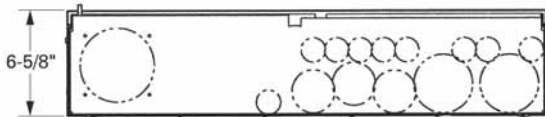
Dimensions and Knockouts

Approximate Dimensions in Inches (mm)

Catalog Numbers HPC40SHL and HPC30SHL



Knockout Configurations and Dimensions for HPC40SHL and HPC30SHL



4.2

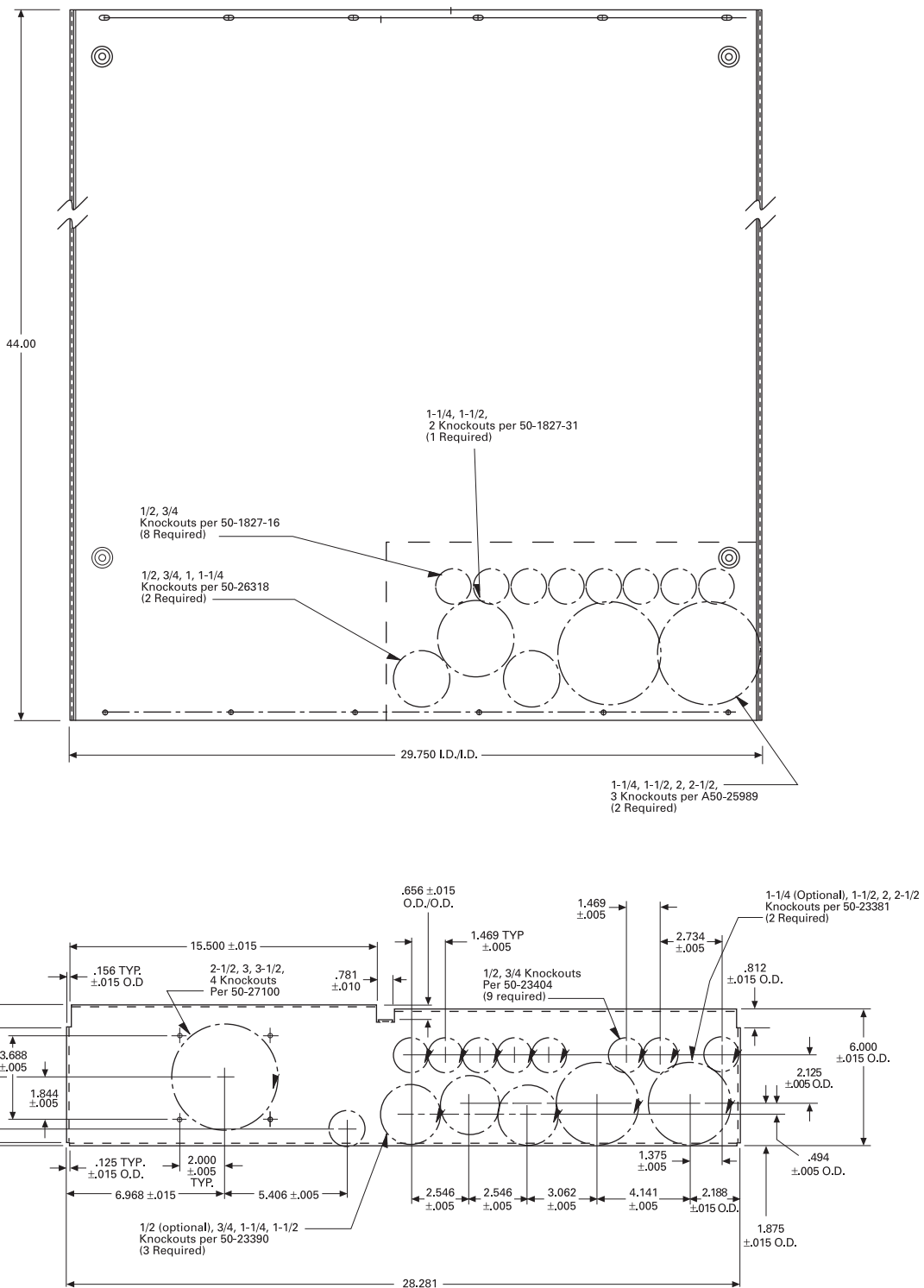
Metering Products

Meter Breakers

Approximate Dimensions in Inches (mm)

House Panel Dimensions and Knockouts—For All House Panels Except Those With HPCPREFIX

4



Aluminum Meter Breakers

Contents

<i>Description</i>	<i>Page</i>
Residential Meter Breakers	V1-T4-35
Non-EUSERC Combination Service Entrance Devices 100–200 A Styles	V1-T4-37
EUSERC Required Service Entrance Devices 100–225 A	V1-T4-41
West Coast All-In-One Design	V1-T4-44
House Panels	V1-T4-48
Aluminum Meter Breakers	
CH Style Renovation Solutions	V1-T4-54
Commercial Safety Sockets	V1-T4-55
Meter Breakers Accessories	V1-T4-58

Aluminum Meter Breakers

Product Description

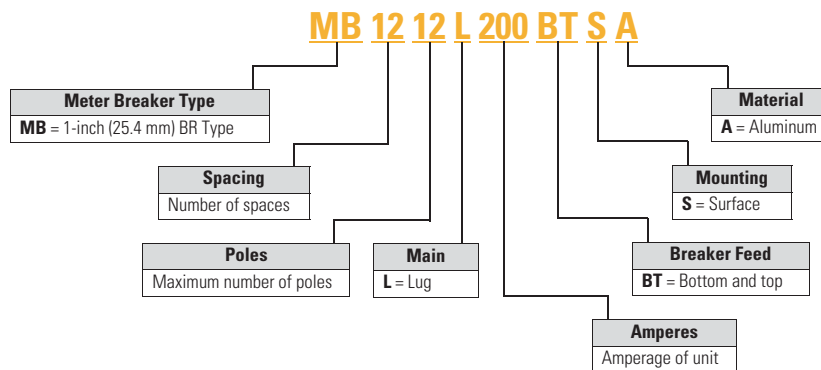
Eaton’s Aluminum Meter Breaker enclosure and external cover offers excellent corrosion resistance in the harshest coastal environments. The meter breaker’s light weight and overhead/underground design offers flexibility and ease of installation.

Features and Benefits

- Overhead/underground design provides flexibility with wiring options
- Steel meter guides are standard, which provides a means of easy installation of the utility glass bulb meter into the meter’s jaws
- Main Lug Only design includes six two-pole breaker locations, which complies with National Electrical Code 225.33 (maximum number of disconnects)
- Distribution section accepts BR branch breakers
- Single-phase, three-wire 120/240 Vac applications
- Hub closure plate is provided, attached to the top of the device
- Optional fifth jaw can be applied to 3 o’clock or 9 o’clock meter socket position
- 10-year warranty
- For customer support, contact Eaton’s Technical Resource Center at 1-877-ETN-CARE
- For additional information or to place an order, contact your local Eaton representative or visit us at www.eaton.com

Catalog Number Selection

Aluminum Meter Breakers



CH Style Renovation Solutions



Contents

<i>Description</i>	<i>Page</i>
Residential Meter Breakers	V1-T4-35
Non-EUSERC Combination Service Entrance Devices 100–200 A Styles	V1-T4-37
EUSERC Required Service Entrance Devices 100–225 A	V1-T4-41
West Coast All-In-One Design	V1-T4-44
House Panels	V1-T4-48
Aluminum Meter Breakers	V1-T4-53
CH Style Renovation Solutions Commercial Safety Sockets	V1-T4-55
Meter Breakers Accessories	V1-T4-58

CH Style Renovation Solutions

Product Description

- Ring style meter socket design
- Provisional main breaker or factory main breaker available
- Center top feed design
- Exit bottom or top design
- 100 A, 125 A or 200 A ratings available

Product Selection

CH Style Retrofit Solutions ①

Ampere Rating	Description	Catalog Number
100	CH, 22 circuit, provision, center top feed, exit top or bottom, flush, OH/UG	CMBE22P100BTFR
125	CH, 22 circuit, provision, center top feed, exit top or bottom, surface, OH/UG	CMBE22P125BTSR
125	CH, 22 circuit, provision, center top feed, exit top or bottom, flush, OH/UG	CMBE22P125BTFR
200	CH, 32/42 circuit, 200 A main breaker, center top feed, exit top or bottom, semi-flush, OH/UG	CMBE3242B200BTS
200	CH, 32/42 circuit, 200 A main breaker, center top feed, exit top or bottom, flush, OH/UG	CMBE3242B200BTFR

Note

① Reference drawing EUSERC DWG-308, G1.

Commercial Safety Sockets



Contents

<i>Description</i>	<i>Page</i>
Residential Meter Breakers	V1-T4-35
Non-EUSERC Combination Service Entrance Devices 100–200 A Styles	V1-T4-37
EUSERC Required Service Entrance Devices 100–225 A	V1-T4-41
West Coast All-In-One Design	V1-T4-44
House Panels	V1-T4-48
Aluminum Meter Breakers	V1-T4-53
CH Style Renovation Solutions	V1-T4-54
Commercial Safety Sockets Product Selection	V1-T4-56
Meter Breakers Accessories	V1-T4-58

Commercial Safety Sockets

Product Description

A Commercial Safety Socket is service entrance equipment that consists of a commercial meter socket with a test block, and may come with or without a loadcenter type distribution section.

Application Description

Eaton's Commercial Safety Sockets are typically used where a single meter socket or single meter socket with a distribution section are needed. These areas could include a commercial business, commercial office building, individual retail facilities and signs and street lighting. Commercial Safety Sockets are typically used in EUSERC utility regions.

Features, Benefits and Functions

Commercial Safety Sockets with No Secondary Feeder



- Ring type continuous duty meter socket. 600 Vac maximum, single- or three-phase
- 100 and 200 A units
- Bussed connection from meter socket to test block
- For use with self-contained watt-hour meter
- Conform with EUSERC standards
- NEMA 3R construction for indoor/outdoor applications
- Units can be individually mounted with provisions for hub kits and pole mounting

Overhead Combination Units



- NEMA 3R construction for indoor/outdoor applications
- T-fuse protection, 480 Vac maximum
- Line at top, load at bottom
- 100 and 200 A units available up to 480 Vac maximum
- Circuit breaker protection to 480 Vac maximum in 10, 22, 42 and 100 kAIC ratings
- Factory-cabled connection from test block to line side of tenant main

Underground Combination Units



- 100 and 200 A units
- 480 Vac maximum
- NEMA 3R construction for indoor/outdoor applications
- Underground or overhead feed
- Provisions for self-contained watt-hour meter
- Bussed connection from meter socket to test block
- Tenant main disconnects are available with circuit breakers up to 480 Vac maximum and T-fuse mains, 240 Vac maximum
- Load wires can exit top or bottom

Product Selection

Overhead and Underground Combination Units and Individual Units

CH127TB



4

Individual Safety Sockets—600 V Maximum—No Secondary Feeder Devices ^①

Ampere Rating	No. of Jaws	AC Voltage	Service	Phase, Wire	Maximum Interrupting Rating	Wire Size	Catalog Number
125	4	600	OH/UG	Single-phase, three-wire	②	#14–2/0	CH114TB
125	5	600	OH/UG	Three-phase, three-wire	②	#14–2/0	CH115TB
125	7	600	OH/UG	Three-phase, four-wire	②	#14–2/0	CH117TB
200	4	600	OH/UG	Single-phase, three-wire	②	#6–250 kcmil	CH124TB
200	5	600	OH/UG	Three-phase, three-wire	②	#6–250 kcmil	CH125TB
200	7	600	OH/UG	Three-phase, four-wire	②	#6–250 kcmil	CH127TB

Commercial Safety Sockets with Provision for Main Circuit Breaker ^③

Ampere Rating	No. of Jaws	AC Voltage	Service	Phase, Wire	Feeder Circuit Breaker	Maximum Interrupting Rating	Wire Size	Catalog Number
125	4	240	OH	Single-phase, three-wire	Provision ^④	⑥	#14–2/0	CH214MTBLB
125	7	208/120	OH	Three-phase, four-wire	Provision ^④	⑥	#14–2/0	CH217MTBLB
125	4	240	UG	Single-phase, three-wire	Provision ^④	⑥	#14–2/0	CHU214MTBLB
125	7	208/120	UG	Three-phase, four-wire	Provision ^④	⑥	#14–2/0	CHU217MTBLB
200	4	120/240	OH	Single-phase, three-wire	Provision ^⑤	⑦	#6–250 kcmil	CH224MTBLB
200	7	208/120	OH	Three-phase, four-wire	Provision ^⑤	⑦	#6–250 kcmil	CH227MTBLB
200	4	120/240	UG	Single-phase, three-wire	Provision ^⑤	⑦	#6–250 kcmil	CHU224MTBLB
200	7	208/120	UG	Three-phase, four-wire	Provision ^⑤	⑦	#6–250 kcmil	CHU227MTBLB

Commercial Safety Sockets with Main Circuit Breaker Included ^③

Ampere Rating	No. of Jaws	AC Voltage	Service	Phase, Wire	Feeder Circuit Breaker	Maximum Interrupting Rating	Wire Size	Catalog Number
100	7	480/277	OH	Three-phase, four-wire	EHD3100	14 kA	#14–2/0	CH217MTBM515
100	7	480/277	UG	Three-phase, four-wire	EHD3100	14 kA	#14–2/0	CHU217MTBMS15
200	7	480/277	OH	Three-phase, four-wire	JD3200	25 kA	#6–250 kcmil	CH227MTBHMS15
200	7	480/277	UG	Three-phase, four-wire	JD3200	25 kA	#6–250 kcmil	CHU227MTBHMS15

Notes

- ① Reference drawing EUSERC DWG-305, G1.
- ② If being protected by a fuse, the interrupting rating of the unit is limited to the fuse AIC rating. If being protected by a single- or three-phase, 600 V breaker, the AIC is 14 kA; by a maximum 400 A, single-phase, 240 V breaker, the AIC is 18 kA; by a maximum 200 A, single- or three-phase, 240 V breaker, the AIC is 18 kA; by a maximum 125 A, single-phase, 240 V breaker, the AIC is 22 kA.
- ③ Reference drawing EUSERC DWG-305A, G1.
- ④ Order plug-on Type BR, BRH or BRHH circuit breaker separately.
- ⑤ Order Type CC breaker or CCH breaker separately.
- ⑥ Type BR = 10 kA; Type BRH = 22 kA; Type BRHH = 42 kA.
- ⑦ Type CCV = 10 kA; Type CCVH = 25 kA.

Underground Combination Units and Safety Sockets

CHU227MTBP

Commercial Safety Sockets with T-Fuse Switch ①



Ampere Rating	No. of Jaws	AC Voltage	Service	Phase, Wire	Feeder Circuit Breaker	Maximum Interrupting Rating	Wire Size
100	4	120/240	OH	Single-phase, three-wire	200 kA	#14-2/0	CH214MTBP
100	7	208/120	OH	Three-phase, four-wire	200 kA	#14-2/0	CH217MTBP
100	4	120/240	UG	Single-phase, three-wire	200 kA	#14-2/0	CHU214MTBP
100	7	208/120	UG	Three-phase, four-wire	200 kA	#14-2/0	CHU217MTBP
200	4	120/240	OH	Single-phase, three-wire	200 kA	#6-250 kcmil	CH224MTBP
200	7	208/120	OH	Three-phase, four-wire	200 kA	#6-250 kcmil	CH227MTBP
200	4	120/240	UG	Single-phase, three-wire	200 kA	#6-250 kcmil	CHU224MTBP
200	7	208/120	UG	Three-phase, four-wire	200 kA	#6-250 kcmil	CHU227MTBP

Notes

① Reference drawing EUSERC DWG-305A, G1.

Order Type CC or CHH breaker separately.

Meter Breakers Accessories



Meter Breaker with Interlock Cover

Meter Breakers Accessories

Underground Combination Units and Safety Socket Accessories

Hubs

Description	Carton Weight Lbs (kg)	Catalog Number
Hub closure plate	3 (1.4)	ARP00002CHB
1.00-inch (25.4 mm) hub	3 (1.4)	ARP00003CH1
1.25-inch (31.8 mm) hub	3 (1.4)	ARP00004CH12
1.50-inch (38.1 mm) hub	3 (1.4)	ARP00005CH15
2.00-inch (50.8 mm) hub	3 (1.4)	ARP00006CH2
2.50-inch (63.5 mm) hub	3 (1.4)	ARP00007CH25

Hub Adapter Plate

Description	Catalog Number
Hub adapter plate	MBEDADPT

Top Endwall (Surface) Hub Provision Selection Chart

Description	Catalog Number
1.00 (25.4)	DS100H2
1.25 (31.8)	DS125H2
1.50 (38.1)	DS150H2
2.00 (50.8)	DS200H2
2.50 (63.5)	DS250H2
3.00 (76.2)	DS300H2
Adapter Plate if using DS___H1 hubs only) ③	DS900AP

Contents

Description	Page
Residential Meter Breakers	V1-T4-35
Non-EUSERC Combination Service Entrance Devices 100–200 A Styles	V1-T4-37
EUSERC Required Service Entrance Devices 100–225 A	V1-T4-41
West Coast All-In-One Design	V1-T4-44
House Panels	V1-T4-48
Aluminum Meter Breakers	V1-T4-53
CH Style Renovation Solutions	V1-T4-54
Commercial Safety Sockets	V1-T4-55
Meter Breakers Accessories	
Mechanical Interlock Cover	V1-T4-59
Technical Data and Specifications	V1-T4-60
Dimensions and Knockouts	V1-T4-61

Other Accessories for Meter Breakers

Meter Breaker Parts ①

Description	Catalog Number
5th Jaw Kits	
Compact and standard styles (MB and CMB)	MB5JAWKIT
EUSERC style	IMM5JKOP ②
Horn Bypass Kits	
Ringless Style units only (MB and CMB)	MBHBPKIT

Jaws

Description	Part Number
5th jaw kit	CH50371

Notes

- ① For breakers under 70 A used in backfed applications, add “B” to the end of the catalog string to get the appropriate “hold-down” version.
- ② Reference drawing EUSERC DWG-G1.
- ③ Use when DS H1 Type 1, 1.25 and 1.50-inch hubs are needed.

Use DS...H2 hubs for bottom endwalls (for all units). Use RH hubs for top endwalls on semi-flush units. Use DS...H2 hubs for top endwalls on surface devices.

Mechanical Interlock Cover

Covers mechanically interlock two breakers. Covers interlock main breaker with two-pole breaker mounted in the distribution section of the meter breakers.

Meter Breaker with Interlock Cover



Mechanical Interlock Cover

Mechanical Interlock Deadfront	Meter Breaker Catalog Number
MBDF1M	CMB1212B200BTS
	CMB1212B200BTSD
	CMB1212P200BTS
	CMB1212P200BTSD
MBDF2M	MB816B200BTS
	MB816B200BTSCU
	MB816P200BTS
	MB816P200BTSCU
MBDF3M	MB816P200STD
	MB2040B200BTS
	MB2040P200BTS
MBDF4M	MB2040P200SD
	MBE816P200TS
	MBE816P200TSCU
MBDF5M	MBE2040B150BF
	MBE2040B150BS
	MBE2040B200BF
	MBE2040B200BS
MBDF6M	MBE2040B200TF
	MBE2040B200TS
	MBE2040P200TF
	MBE2040P200TS
MBDF7M	CMBE3242B150BF
	CMBE3242B150BS
	CMBE3242B200BF
	CMBE3242B200BS
	CMB3242B150BS
MBDF8M	CMB3242B200BS
	CMBE4242B200BSH
	CMBE4242B200BTF
MBDF9M	CMBE4242B200BTS
	MBE4040B200BSH
	MBE4040B200BSHH
	MBE4040B200BTF
	MBE4040B200BTS

Mechanical Interlock Deadfront	Meter Breaker Catalog Number
MBDF1AM	CMB2424B200BTS
MBDF10M	CMB24B200TFR
	CMB24B200TSR
MBDF12M	CMBX3242B200BTS
	CMBX3242P200BTS
MBDF13M	MBE3042B200BF
	MBE3042B225BF
MBDF14M	CMBE88B150BTF
	CMBE88B150BTS
	CMBE88B200BTF
	CMBE88B200BTS
MBDF15M	MBE48B150BTF
	MBE48B150BTS
	MBE48B200BTF
	MBE48B200BTS
MBDF16M	MBE88B150BTF
	MBE88B150BTS
	MBE88B200BTF
	MBE88B200BTS
MBDF17M	MBE2040BC200BTS
	MBE2040BH200BTF
	MBE2040BH200BTS
	MBE2040B150BTF
	MBE2040B150BTS
	MBE2040B200BTF
	MBE2040B200BTS
MBE2040B225BTF	
	MBE2040B225BTS

Technical Data and Specifications

Wire Size Chart

Main	Wire Size Range Cu/Al 60 °C or 75 °C for Line Terminals
	BR250
BR260	#4–1/0 kcmil
BR270	#4–1/0 kcmil
BR280	#4–1/0 kcmil
BR290	#4–1/0 kcmil
BR2100	#4–1/0 kcmil
BW2125	#2–300 kcmil
BW2150	#2–300 kcmil
BW2200	#2–300 kcmil
CSR2125	#2–300 kcmil
CSR2150	#2–300 kcmil
CSR2200	#2–300 kcmil
CSR2125N	#1/0–250 kcmil
CSR2150N	#1/0–250 kcmil
CSR2200N	#1/0–250 kcmil
125 A main lugs	—
200 A main lugs	—
MCBK225	#2–300 kcmil

Wire Size is Determined by the Circuit Breaker Installed in the Enclosure

Wire/Application	Maximum	
	Wire Size	Ampere Rating
Aluminum—Standard	250 kcmil	200
Aluminum—Service Entrance	250 kcmil	225
Copper—Standard and Service Entrance	250 kcmil	225

Notes

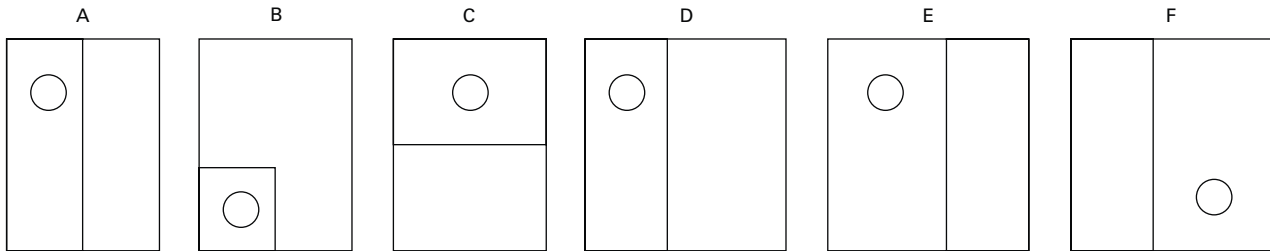
- ① For breakers under 70 A used in backfed applications, add “B” to the end of the catalog string to get the appropriate “hold-down” version.
- ② Reference drawing EUSERC DWG-G1.
- ③ Use when DS H1 Type 1, 1.25 and 1.50-inch hubs are needed.

Use DS...H2 hubs for bottom endwalls (for all units). Use RH hubs for top endwalls on semi-flush units. Use DS...H2 hubs for top endwalls on surface devices.

Dimensions and Knockouts

Approximate Dimensions in Inches (mm)

Box Styles—Five Different Styles (Shapes) of Product



Box Dimensions

Box Number	Height	Width	Depth	Box Style
1	12.50 (317.5)	14.44 (366.7)	4.00 (101.6)	A
2	23.88 (606.4)	14.44 (366.7)	5.38 (136.5)	A
3	28.38 (720.7)	14.44 (366.7)	5.38 (136.5)	A
4	34.13 (866.8)	14.44 (366.7)	5.38 (136.5)	B
5	36.13 (917.6)	14.44 (366.7)	5.38 (136.5)	B
6	43.38 (1101.7)	14.44 (366.7)	5.38 (136.5)	B
7	46.88 (1190.6)	14.44 (366.7)	5.38 (136.5)	B
8	19.75 (501.7)	7.50 (190.5)	4.00 (101.6)	C
9	25.00 (635.0)	14.44 (366.7)	5.38 (136.5)	C
10	32.38 (822.3)	14.44 (366.7)	5.38 (136.5)	C
11	36.63 (930.3)	14.44 (366.7)	5.38 (136.5)	C
12	34.38 (873.1)	22.00 (558.8)	5.38 (136.5)	D
13	19.75 (501.7)	14.44 (366.7)	5.38 (136.5)	E
14	39.91 (1013.7)	14.44 (366.7)	5.38 (136.5)	C
15	23.88 (606.6)	13.00 (330.2)	4.94 (125.5)	F
16	28.38 (720.9)	13.00 (330.2)	4.94 (125.5)	F
17	34.19 (868.4)	22.13 (562.1)	5.00 (127.0)	D
18	36.06 (915.9)	16.63 (422.4)	5.50 (139.7)	A
19	28.38 (720.9)	14.44 (366.8)	4.94 (125.5)	A
20	32.06 (814.3)	14.44 (366.8)	4.94 (125.5)	C
21	25.50 (647.7)	14.44 (366.8)	4.94 (125.5)	C

4.2

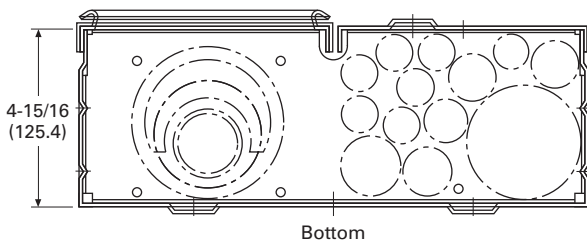
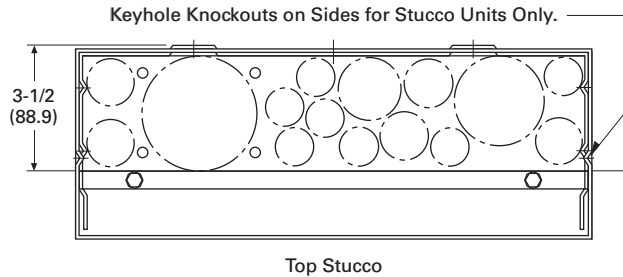
Metering Products

Meter Breakers

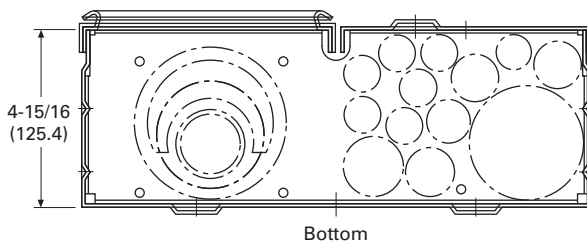
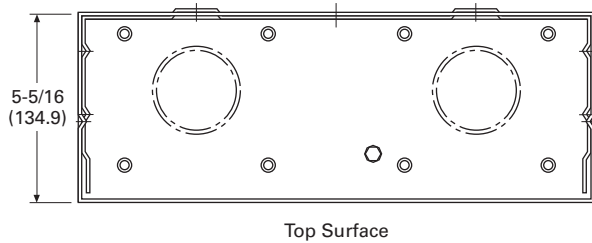
Approximate Dimensions in Inches (mm)

**Knockouts for Stucco and Surface Units Catalog Numbers—
CMBE3242B200BF, CMBE3242B225BF, MBE2040B200BF,
MBE2040B150BF, MBE1428B100BF, MBE1212L200BTF,
MBE1836B125BF and MBE1212L200BTS**

4



**Knockouts for Stucco and Surface Units Catalog Numbers—
CMBE3242B150BS, CMBE3242B200BS, CMBE3242B225BS,
CMBE1212L200BS, MBE2040B200BS, MBE1428B100BS,
MBE1212L200BTS, CMB3242B150BS and CMB3242B200BS**



Top Endwall (Surface)

Hub Provision Catalog Number	Quantity
DS100H2	①
DS125H2	①
DS150H2	①
DS200H2	①
DS250H2	①
DS300H2	①
DS900AP (Adapter Plate if using DS___H1 hubs only) ②	①

Top Endwall (Stucco) ③

Knockout Size Dimensions in Inches (mm)	Quantity
1.25, 1.50, 2.00, 2.50 (31.8, 38.1, 50.8, 63.5)	1
1.00, 1.25, 1.50 (25.4, 31.8, 38.1)	1
0.50, 0.75, 1.00 (12.7, 19.1, 25.4)	1
0.50, 0.75 (12.7, 19.1)	3
0.50 (12.7)	3

Bottom Endwall

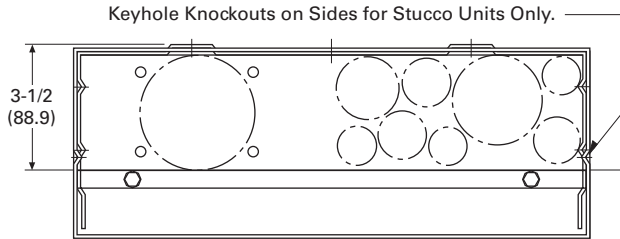
Knockout Size Dimensions in Inches (mm)	Quantity
0.50 (12.7)	7
0.50, 0.75 (12.7, 19.1)	4
0.50, 0.75, 1.00 (12.7, 19.1, 25.4)	1
1.00, 1.25, 1.50, 2.00 (25.4, 31.8, 38.1, 50.8)	1
1.25, 1.50, 2.00, 2.50, 3.00 (31.8, 38.1, 50.8, 63.5, 76.2)	1

Notes

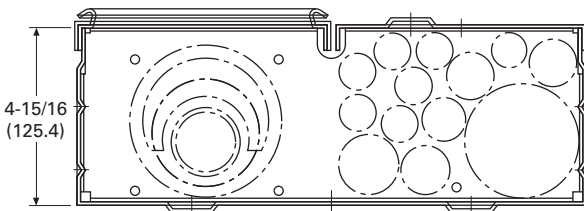
- ① For details regarding quantities, please contact the Technical Resource Center (TRC) at 1-877-ETN-CARE.
- ② Use when DS H1 Type 1, 1.25 and 1.50-inch hubs are needed.
- ③ RH hubs are to be used for Top Endwall (Stucco) endwalls.

Approximate Dimensions in Inches (mm)

**Knockouts for Stucco and Surface Units Catalog Numbers—
CMBE88B150BTF, CMBE88B200BTF, MBE24L125BTF,
MBE24L200BTF, MBE48B200BTF, MBEB200BTF,
MBE1224B100BTF and MBE1224B125BTF**

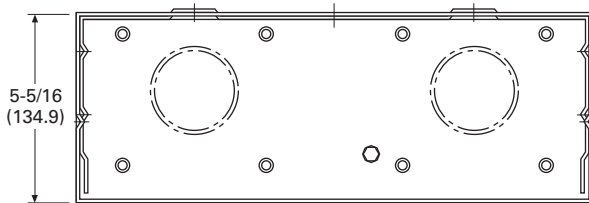


Top Stucco

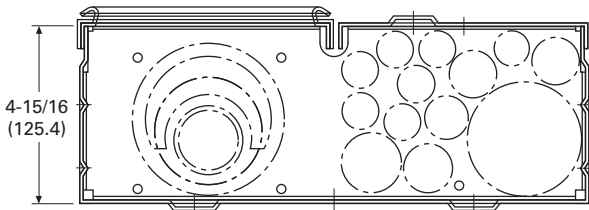


Bottom

**Knockouts for Stucco and Surface Units Catalog Numbers—
CMBB150BTS, CMBB200BTS, CMBP200BTS,
CMBE24L125BTS, CMB24L125BTS, CMBE24L200BTS,
CMBEB200BTS, CMBEB150BTS, CMBE88B150BTS,
CMBP200BTS, CMBE88B200BTS, MBE24L125BTS,
MBE24L200BTS, MBE48B150BTS, MBE48B200BTS,
MBE88B200BTS, MBEB200BTS, MBE1224B100BTS,
MBE1224B125BTS, CMB88B150BTS, CMB88B200BTS
and MB48B200BTS**



Top Surface



Bottom

Top Endwall (Surface)

Hub Provision Catalog Number	Quantity
DS100H2	①
DS125H2	①
DS150H2	①
DS200H2	①
DS250H2	①
DS300H2	①
DS900AP (Adapter Plate if using DS___H1 hubs only) ②	①

Top Endwall (Stucco) ③

Knockout Size Dimensions in Inches (mm)	Quantity
1.25, 1.50, 2.00, 2.50 (31.8, 38.1, 50.8, 63.5)	1
1.00, 1.25, 1.50 (25.4, 31.8, 38.1)	1
0.50, 0.75, 1.00 (12.7, 19.1, 25.4)	1
0.50, 0.75 (12.7, 19.1)	3
0.50 (12.7)	3

Bottom Endwall

Knockout Size Dimensions in Inches (mm)	Quantity
0.50 (12.7)	7
0.50, 0.75 (12.7, 19.1)	4
0.50, 0.75, 1.00 (12.7, 19.1, 25.4)	1
1.00, 1.25, 1.50, 2.00 (25.4, 31.8, 38.1, 50.8)	1
1.25, 1.50, 2.00, 2.50, 3.00 (31.8, 38.1, 50.8, 63.5, 76.2)	1

Notes

- ① For details regarding quantities, please contact the Technical Resource Center (TRC) at 1-877-ETN-CARE.
- ② Use when DS H1 Type 1, 1.25 and 1.50-inch hubs are needed.
- ③ RH hubs are to be used for Top Endwall (Stucco) endwalls.

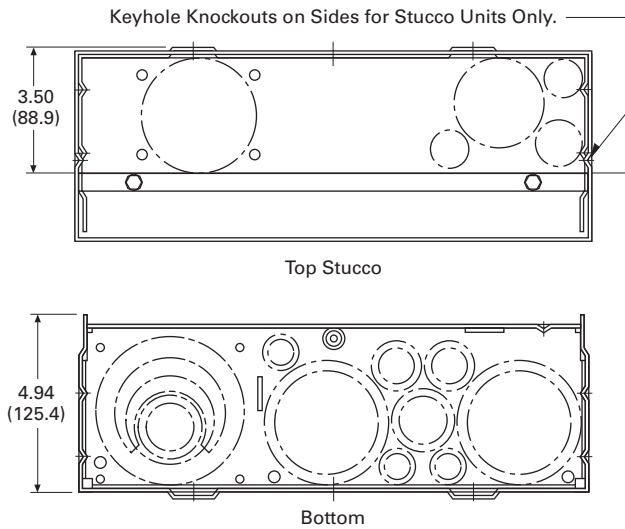
4.2

Metering Products

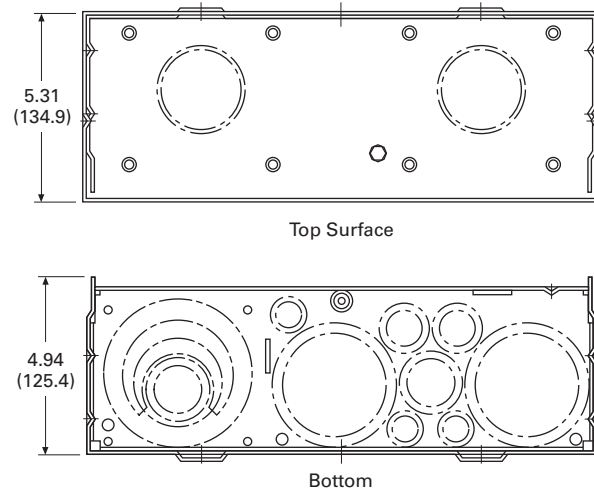
Meter Breakers

Approximate Dimensions in Inches (mm)

Knockouts for Stucco and Surface Units Catalog Number—MMBE2040B200TF



Knockouts for Stucco and Surface Units Catalog Numbers—MBE1224B100TS, MBE1224B125TS, MBE816P200TS, MBE816P200TSCU, MBE2040B200TS, CMB1212P200BTS, CMB1212P200BTSD, CMB1212B200BTS, MB1212L200BTS and CMB1212L200BTS



Top Endwall (Surface)

Hub Provision Catalog Number	Quantity
DS100H2	①
DS125H2	①
DS150H2	①
DS200H2	①
DS250H2	①
DS300H2	①
DS900AP (Adapter Plate) ②	①

Top Endwall (Stucco) ③

Knockout Size Dimensions in Inches (mm)	Quantity
1.25, 1.50, 2.00, 2.50 (31.8, 38.1, 50.8, 63.5)	1
1.00, 1.25, 1.50 (25.4, 31.8, 38.1)	1
0.50, 0.75, 1.00 (12.7, 19.1, 25.4)	1
0.50, 0.75 (12.7, 19.1)	3
0.50 (12.7)	3

Bottom Endwall

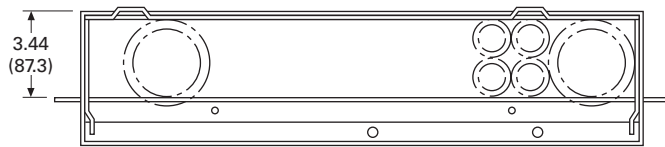
Knockout Size Dimensions in Inches (mm)	Quantity
0.50 (12.7)	7
0.50, 0.75 (12.7, 19.1)	4
0.50, 0.75, 1.00 (12.7, 19.1, 25.4)	1
1.00, 1.25, 1.50, 2.00 (25.4, 31.8, 38.1, 50.8)	1
1.25, 1.50, 2.00, 2.50, 3.00 (31.8, 38.1, 50.8, 63.5, 76.2)	1

Notes

- ① For details regarding quantities, please contact the Technical Resource Center (TRC) at 1-877-ETN-CARE.
- ② Use when DS H1 Type 1, 1.25 and 1.50-inch hubs are needed.
- ③ RH hubs are to be used for Top Endwall (Stucco) endwalls.

Approximate Dimensions in Inches (mm)

Knockouts for Stucco and Surface Units



Top Flush

MBE4040B200BTF



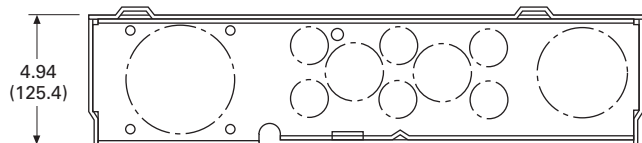
Top Surface

**CMBE4242B200BTS
MBE4040B200BTS**

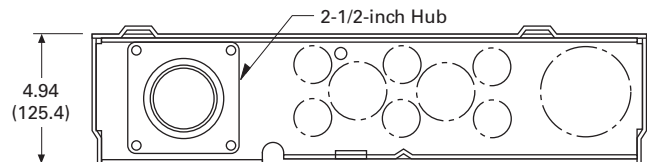


Top Surface

MBE4040B200BSH



Bottom



Bottom

Top Endwall (Surface)

Hub Provision Catalog Number	Quantity
DS100H2	①
DS125H2	①
DS150H2	①
DS200H2	①
DS250H2	①
DS300H2	①
DS900AP (Adapter Plate) ②	①

Top Endwall (Stucco) ③

Knockout Size Dimensions in Inches (mm)	Quantity
1.25, 1.50, 2.00, 2.50 (31.8, 38.1, 50.8, 63.5)	2
0.50, 0.75 (12.7, 19.1)	3

Bottom Endwall

Knockout Size Dimensions in Inches (mm)	Quantity
0.50, 0.75 (12.7, 19.1)	6
0.50, 0.75, 1, 1.25 (12.7, 19.1, 25.4, 31.8)	2
1.00, 1.25, 1.50, 2.00, 2.50 (25.4, 31.8, 38.1, 50.8, 63.5)	1
1.00, 1.25, 1.50, 2.00, 2.50, 3.00 (25.4, 31.8, 38.1, 50.8, 63.5, 76.2)	1

Notes

- ① For details regarding quantities, please contact the Technical Resource Center (TRC) at 1-877-ETN-CARE.
- ② Use when DS H1 Type 1, 1.25 and 1.50-inch hubs are needed.
- ③ RH hubs are to be used for Top Endwall (Stucco) endwalls.

4.2

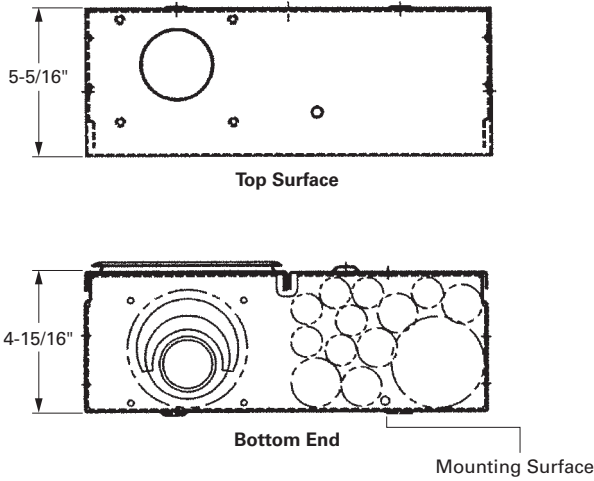
Metering Products

Meter Breakers

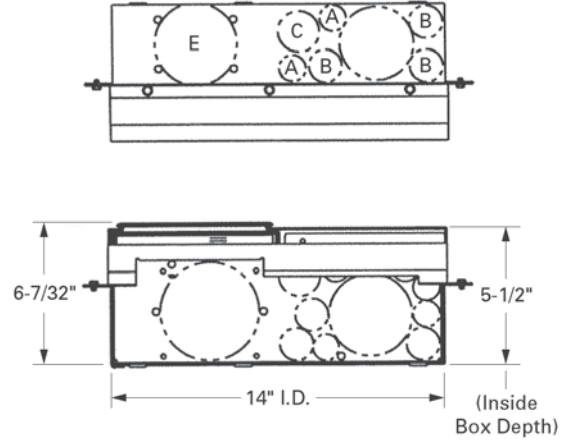
4

Approximate Dimensions in Inches (mm)

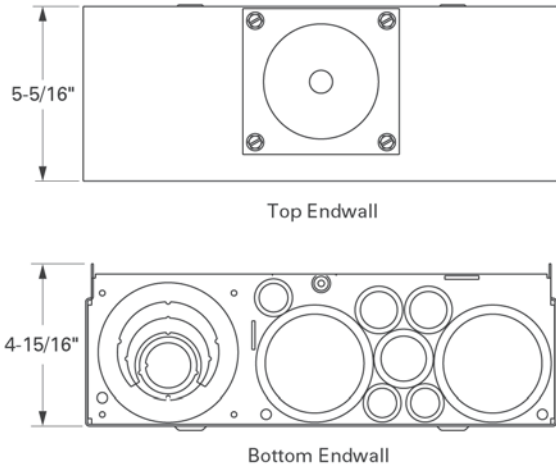
Knockout Configurations and Dimensions for Catalog Numbers MBER48B200BTS and CMBER88B200BTS



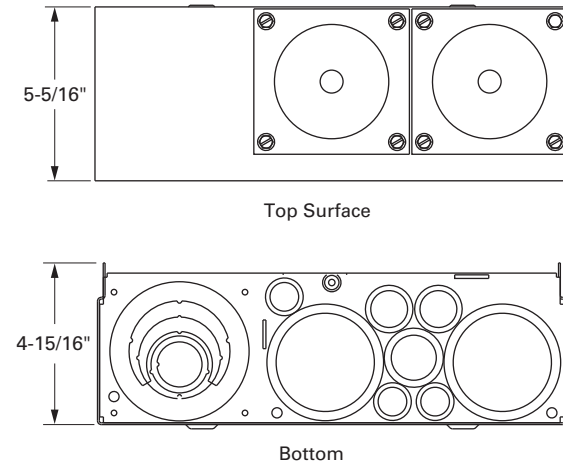
Semi-Flush Stucco Unit Knockout Configurations and Dimensions for MBE2040B200BTS, MBE2040B225BTS, MBE2040B200BTF and MBE2040B225BTF



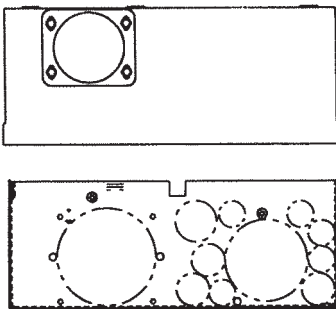
Knockout Configurations and Dimensions for Catalog Numbers CMBXP200BTS, CMBXB200BTS, CMBX1212P200BTS and CMBX3242P200BTS, CMBX3242B200BTS, CMBX1212B200BTS



Knockout Configurations and Dimensions for Catalog Numbers MBT48B125BTS, MBT48B150BTS, MBT48B200BTS and MBT48P200BTS

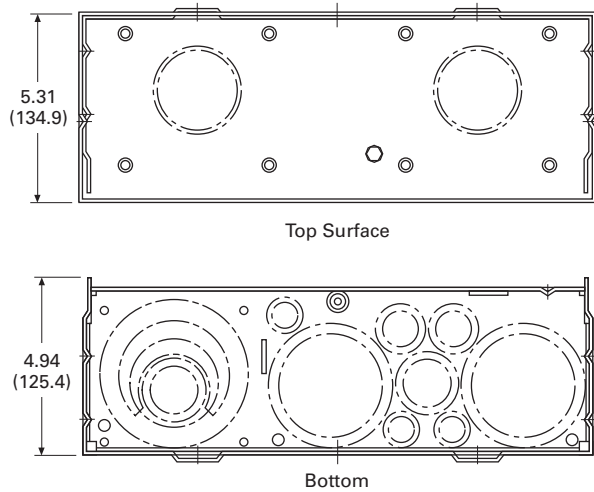


Surface Unit Knockout Configurations and Dimensions for MBE2040B200BTS, MBE2040B225BTS, MBE2040B200BTF and MBE2040B225BTF

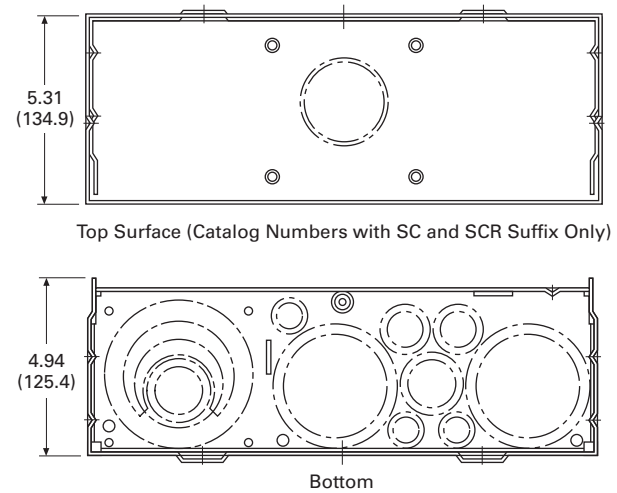


Approximate Dimensions in Inches (mm)

Knockouts for Non-EUSERC Units Catalog Numbers—
MBB150BTS, MBB200BTS, MBP200BTS, MB816P200BTS,
MB816P200BTSCU, MB816P200BTSD, MB816B200BTS,
MB816B200BTSCU, MB2040P200BTS, MB2040B200BTS,
MBP200BTSD, MBP200SD, MB816P200STD,
MB2040B150SD, MB2040B200SD and MB2040P200SD



Knockouts for Non-EUSERC Units Catalog Numbers—
CMB2424B200BTS, MBB150BTSCR, MBB200BTSCR,
MBB150BTSC, MBB200BTSC and CMB2436B200BTS



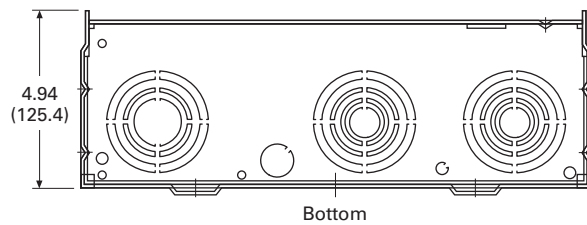
Top Endwall (Surface)

Hub Provision Catalog Number	Quantity
DS100H2	①
DS125H2	①
DS150H2	①
DS200H2	①
DS250H2	①
DS300H2	①
DS900AP (Adapter Plate) ②	①

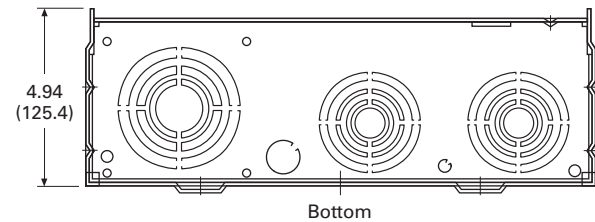
Bottom Endwall

Knockout Size Dimensions in Inches (mm)	Quantity
0.31 (7.9)	3
0.50 (12.7)	3
0.50, 0.75 (12.7, 19.1)	2
0.75, 1.00 (12.7, 25.4)	1
1.25, 1.50, 2.00, 2.50 (19.1, 38.1, 50.8, 63.5)	2
1.50, 2.00, 2.50, 3.00 (38.1, 50.8, 63.5, 76.2)	1

Knockouts for Non-EUSERC Units Catalog Number—
CHMMB100BTS



Knockouts for Non-EUSERC Units Catalog Numbers—
CHMMB150BTS and CHMMB200BTS



Bottom Endwall

Knockout Size Dimensions in Inches (mm)	Quantity
0.31 (7.9)	1
0.50 (12.7)	1
0.50, 0.75, 1.00, 1.25, 1.50, 2.00, 2.50 (12.7, 19.1, 25.4, 31.8, 38.1, 50.8, 63.5)	2
1.00, 1.25, 1.50, 2.00, 2.50 (25.4, 31.8, 38.1, 50.8, 63.5)	1

Bottom Endwall

Knockout Size Dimensions in Inches (mm)	Quantity
0.31 (7.9)	1
0.50 (12.7)	1
0.50, 0.75, 1.00, 1.25, 1.50, 2.00, 2.50 (12.7, 19.1, 25.4, 31.8, 38.1, 50.8, 63.5)	2
1.00, 1.25, 1.50, 2.00, 2.50, 3.00 (25.4, 31.8, 38.1, 50.8, 63.5, 76.2)	1

Notes

- ① For details regarding quantities, please contact the Technical Resource Center (TRC) at 1-877-ETN-CARE.
- ② Use when DS H1 Type 1, 1.25 and 1.50-inch hubs are needed.

Systems for Residential and Commercial Applications



Systems for Residential and Commercial Applications

Product Description

Group metering is a service entrance product line that consists of a main device and multiple meter sockets in one enclosure or several connected enclosures. Group metering allows the customer to install a multiple tenant-metering device in one location while providing a space and installation cost savings.

Application Description

Eaton’s Electrical Sector offers two group metering designs—Meter Packs and Gangable Metering. Meter Packs, also called All-in-Ones, consist of main lugs and up to six meter sockets in one enclosure. Meter Packs are supplied as one complete unit and the user cannot “add” additional meter sockets to the unit in the future. The most common application for Meter Packs is garden apartments, small condominiums and townhouses where six or less units are metered through one centrally located Meter Pack.

Contents

Description

	<i>Page</i>
Systems for Residential and Commercial Applications	
Features, Benefits and Functions	V1-T4-69
Dimensions	V1-T4-75
Meter Packs	V1-T4-76
Meter Packs—Tenant Circuit Breakers	V1-T4-88
Main Service Modules	V1-T4-89
Residential Meter Stacks	V1-T4-108
Commercial Meter Stack Modules	V1-T4-123
35MM, 37MM, 35SS and 37SS Tenant Main Circuit Breakers	V1-T4-130
Phase Balanced Stack	V1-T4-132
Group Metering Inline Current Transformer Cabinets	V1-T4-133
Surge Metering	V1-T4-134
Group Metering Accessories	V1-T4-135

Standards and Certifications

- UL listed



**Gangable Metering
(Main Service Modules
and Meter Stacks)**

The second type of group metering is Gangable Metering, which consists of a Main Service Module used in conjunction with a Meter Stack to make a custom metering lineup. The Main Service Module can be main lug, main circuit breaker, main fusible switch or bolted pressure switch. The Meter Stack is offered with various meter sockets and bus ratings. This type of custom lineup allows the owner to add/remove meter sockets and main devices to meet future need. Gangable Metering is often used in large condominiums, strip malls and light commercial applications where more than six units are metered, or there will be a future need to add more units.

Features, Benefits and Functions

Bypass Mechanisms

Cotter Pin



Eaton’s metering socket for 1MP, 1MM, 3MM metering devices employ cotter pins on the front and back of the socket jaws for increased durability during performed maintenance on the meters. This component uses jaws on both sides of the base eliminating the need for self-tapping screw connections to vertical busbars.

Horn and Manual Bypass



With an increasing demand for uninterrupted power, Eaton’s series of 1MP, 1MM and 3MM meter sockets offer horn (ringless style) and manual (ring style) field-installable bypass accessories. These accessories provide uninterrupted tenant service if a meter is pulled for inspection or replacement.

Horn bypass kits are compatible with ring-less meter sockets for type MB and CMB units and are ANSI/UL Listed.

Lever Bypass



Due to commercial requirements, Eaton offers a lever bypass (as standard) on all 35MM and 37MM devices. Each socket base consists of a lever bypass, which also releases the jaws (when lever is engaged in bypass position), enabling utility company mechanics to easily remove and/or insert utility meter.

Test Bypass Disconnects



Eaton also provides commercial meter stacks with EUSERC required test-bypass disconnects (35SS and 37SS). This bypass is used in the same applications as the lever bypass and it is required by EUSERC utilities.

Busing and Meter Socket Field Phase Balancing



Due to popular incoming three-phase voltage systems and single-phase outgoing loads, installers have the option to field phase balance on the individual stack (A-B, B-C, A-C). This feature eliminates the chance of installing an incorrectly phased device due to its versatility.

One-Piece Vertical Busbar



Eaton’s series of 1MP, 1MM, 3MM meter stacks embody a one-piece busbar construction to each socket, as well as a one-piece cross bus to each tenant main. Because the Eaton design uses the Clip-Tight meter socket and does not have busbar joints, the chance of hot spots occurring is virtually eliminated.

Mounting and Security

Main Tenant Breaker Cover



Each tenant circuit breaker is protected by a lockable raintight cover that secures the breaker against unauthorized operation. The tenant breaker cover is a high impact plastic to resist wear, rusting and corrosion.

Mounting Features



A standard mounting rail and factory-installed swing away feet speed up and simplify installation.

General

When tenant breakers are installed in Eaton’s metering modules per the short-circuit current ratings below, the branch breakers installed in downstream panel rated 10 kAIC or greater are protected to the listed series AIC rating. Refer to the downstream panel marking for the proper series combination short-circuit ratings. These ratings apply to both loadcenter Types BR and CH.

The short-circuit rating is limited to the lowest interrupting rating of any tenant breaker installed or to the lowest marked interrupting rating of the main switch, main breaker or main lug modules.

Replacement or additional breakers shall be of the same type and manufacturer, and shall have an interrupting rating equal to or greater than the interrupting rating of any tenant breaker presently installed in the meter module.

1MM, 3MM 125 A Meter Module

When used with main switch, main breaker or main lug modules, this meter module is UL listed for the short-circuit rating at 240 Vac maximum in rms symmetrical amperes per table below.

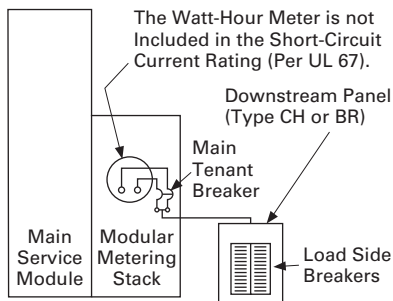
1MM, 3MM 125 A Meter Module

Tenant Breaker Catalog Number Two-Pole	Amperes Maximum	UL Listed Series Short-Circuit Rating
BRX_____	125	65 kAIC
BRHH_____	125	42 kAIC
BRH_____	125	22 kAIC
BR_____	125	10 kAIC

When Type BRX, BRHH or BRH tenant breakers are installed in this meter module, then breakers rated 10 kAIC or greater installed on the load side of this meter module may be protected for short circuits up to 22 kAIC with Type BRH breakers, 42 kAIC with Type BRHH or 65 kAIC with Type BRX breakers.

See load side breaker panel marking for proper short-circuit current rating.

1MM, 3MM 125 A Meter Module



1MM, 3MM, 200 A Meter Modules; 35MM, 37MM, 35SS and 37SS 225 A Meter Modules

When used with main switch, main breaker or main lug modules, these meter modules are UL listed for the short-circuit rating at 240 Vac maximum in rms symmetrical amperes per table below.

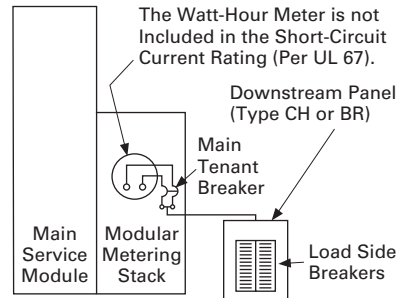
1MM, 3MM, 200 A Meter Modules; 35MM, 37MM, 35SS and 37SS 225 A Meter Modules

Tenant Breaker Catalog Number Two- or Three-Pole	Amperes Maximum		UL Listed Series Short-Circuit Rating
	1MM 3MM 200 A	35MM, 37MM, 35SS, 37SS 225 A	
CVH_XMM	200	225	100 kAIC
CV_XMM	200	225	65 kAIC
CVS_XMM	200	225	42 kAIC
CCVH_X	200	225	25 kAIC
CCV_X	200	225	10 kAIC
CC_X	200	225	10 kAIC

When Type CV tenant breakers are installed in these meter modules, then Eaton’s breakers rated 10 kAIC or greater installed on the load side of these meter modules may be protected for short circuits up to 100 kAIC.

See load side breaker panel marking for proper short-circuit current rating.

1MM, 3MM, 200 A Meter Modules; 35MM, 37MM, 35SS and 37SS 225 A Meter Modules



1MP 125 A Meter Module

This All-in-One Meter Module is UL listed for the short-circuit rating at 240 Vac maximum in rms symmetrical amperes per table below.

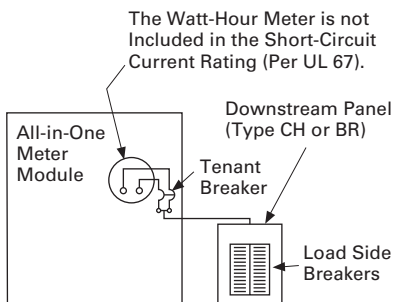
1MP 125 A Meter Module

Tenant Breaker Catalog Number Two-Pole	Maximum Ampere Rating	UL Listed Series Short-Circuit Rating
BRX_____	125	65 kAIC
BRHH_____	125	42 kAIC
BRH_____	125	22 kAIC
BR_____	125	10 kAIC

When Type BRX, BRHH or BRH tenant breakers are installed in this meter module, then Eaton’s breakers rated 10 kAIC or greater installed on the load side of this meter module may be protected for short circuits up to 22 kAIC with Type BRH breakers, 42 kAIC with Type BRHH or 65 kAIC with Type BRX breakers.

See load side breaker panel marking for proper short-circuit current rating.

1MP 125 A Meter Module



Note: The ratings for both 125 and 200 A tenant positions apply to both Type BR and CH loadcenters and 10 kAIC branch breakers.

1MP 200 A Meter Module

This All-in-One Meter Module is UL listed for the short-circuit rating at 240 Vac maximum in rms symmetrical amperes per table below.

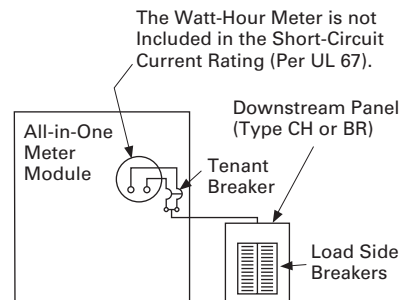
1MP 200 A Meter Module

Tenant Breaker Catalog Number Two- or Three-Pole	Maximum Ampere Rating	UL Listed Series Short-Circuit Rating
CVH_XMM	200	100 kAIC
CV_XMM	200	65 kAIC
CVS_XMM	200	42 kAIC
CCVH_XMM	200	25 kAIC
CCV_X	200	10 kAIC

When Type CV tenant breakers are installed in this meter module, then breakers rated 10 kAIC or greater installed on the load side of this meter module may be protected for short circuits up to 100 kAIC.

See load side breaker panel marking for proper short-circuit current rating.

1MP 200 A Meter Module



Ratings

- A. The assembly shall be rated to withstand mechanical forces exerted during short-circuit conditions when connected directly to a power source having available fault current [22,000] [42,000] [65,000] [100,000] amperes symmetrical at rated voltage.
- C. All hardware used for busbar connections shall be high-tensile strength, zinc-plated. Provide Belleville-type spring washers for all bus joints.

Wiring/Terminations

- A. [Mechanical-type terminals] [Crimp-type termination provisions] shall be provided for all line terminations suitable for copper or aluminum cable and rated at 75 °C.
- B. Lugs shall be provided in the incoming line section for connection of the main grounding conductor.

Main Circuit Protective Devices

- A. Main protective devices shall be [molded case circuit breakers] [bolted pressure switches] [quick-make/quick-break fusible switches].

Molded Case Circuit Breakers

- A. [Main] [Feeder] [All] protective devices shall be molded case circuit breakers with inverse time and instantaneous tripping characteristics.
- B. Circuit breakers shall be operated by a toggle-type handle and shall have a quick-make/quick-break over-center switching mechanism that is mechanically trip-free. Automatic tripping of the breaker shall be clearly indicated by the handle position. Contacts shall be nonwelding silver alloy and arc extension shall be accomplished by means of DE-ION® arc chutes.
- C. Circuit breakers shall have a minimum symmetrical interrupting capacity as indicated on the drawings.

- D. Circuit breakers [250-] [400-] [600-] [1200-] ampere frame and below shall be manufactured by Eaton with thermal-magnetic or electronic trip units having inverse time-current characteristics.
- E. Circuit breakers shall be UL listed for series application.

Bolted Pressure Switches

- A. Main protective devices shall be bolted pressure contact type and shall be UL listed.
- B. Fusible switches shall be furnished with Class L fuse clips. Switch contact interrupting capacity shall be 12 times the continuous rating of the switch.
- C. Fuse access door s shall be mechanically interlocked with the operating handle and shall have provisions for padlocking the switch in the OPEN position.
- D. The switch shall use a stored energy deadfront operating mechanism compressed and released by the operating handle, to provide quick positive switching action, independent of the operating handle.
- E. Switches shall be manually operated.

Quick-Make/Quick-Break Fusible Switches

- A. Fusible switches 30 A through 1200 A frames shall be furnished with 300 V Class T-type fuse clips unless otherwise scheduled.
- B. Switches shall incorporate safety cover interlocks to prevent opening the cover with the switch in the ON position.
- C. Provide defeater for authorized personnel.

- D. Handles shall have provisions for padlocking and shall clearly indicate the ON or OFF position.
- E. Front cover doors shall be padlockable in the CLOSED position.
- F. Main protective devices shall be quick-make/quick-break fusible switches as manufactured by Eaton.

Tenant Utility Metering

- A. For EUSERC serviced areas, meter centers shall incorporate metering sections with tenant feeder circuits using ring-type meter sockets rated [125] [200] amperes to meet local utility and/or customer requirements.
- B. The self-contained meter sockets shall include a test bypass/disconnect block per EUSERC requirements,
 - OR –
- A. For non-EUSERC serviced areas, meter centers shall incorporate metering sections with tenant feeder circuits using [ring-] [ringless-] type meter sockets rated [125] [200] [320] amperes to meet local utility or customer requirements. Provide meter sockets with individual covers having sealing provisions.
- B. Meter sockets shall have manual bypass and optional internal barriers.

Enclosures

- A. NEMA 1 Enclosure
 - OR –
- A. Outdoor NEMA 3R Surface-Mounted Enclosure

Finish

- A. Boxes and trims shall be bonderized and finished with ANSI 61 light gray enamel.

Construction

- A. The entire assembly shall be front accessible and shall include [main lugs] [a main disconnect device].
- B. Tenant disconnects shall be wired for cold sequence and shall be molded case circuit breakers.
- C. The meter sockets shall be (ring-) (ringless-) type rated (125 A) (200 A) (as shown on the plans) and a bypass (shall be) (shall not be) required. If required, the bypass shall be a (slider-) (horn-) (lever-) (disconnect block-) type. The meter sockets and associated branch protective device positions shall be completely prewired and shipped ready for installation of the meters and tenant main breakers. Meter sockets shall include covers with sealing positions.

Bus

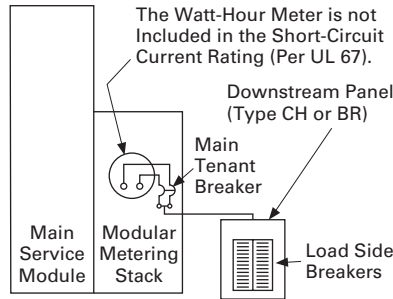
- A. All busbars shall be [tin-plated aluminum or copper]. Main horizontal busbars shall be mounted with all three phases arranged in the same vertical plane. Bus sizing shall be based on UL standard temperature rise criteria for multiple metering equipment.
- B. Provide a full capacity neutral bus where a neutral bus is indicated on the drawings.

Series Combination Short-Circuit Ratings

When main tenant breakers are installed in Eaton’s modular metering stack, the branch breakers installed in downstream panel rated 10 kAIC or greater are protected to the listed series combination AIC rating. Refer to the downstream panel marking for the proper series combination short-circuit ratings.

Replacement or additional breakers shall be of the same manufacture and type, and shall have an interrupting rating equal to or greater than the interrupting rating of any main tenant breaker installed.

Series Combination Short-Circuit Ratings

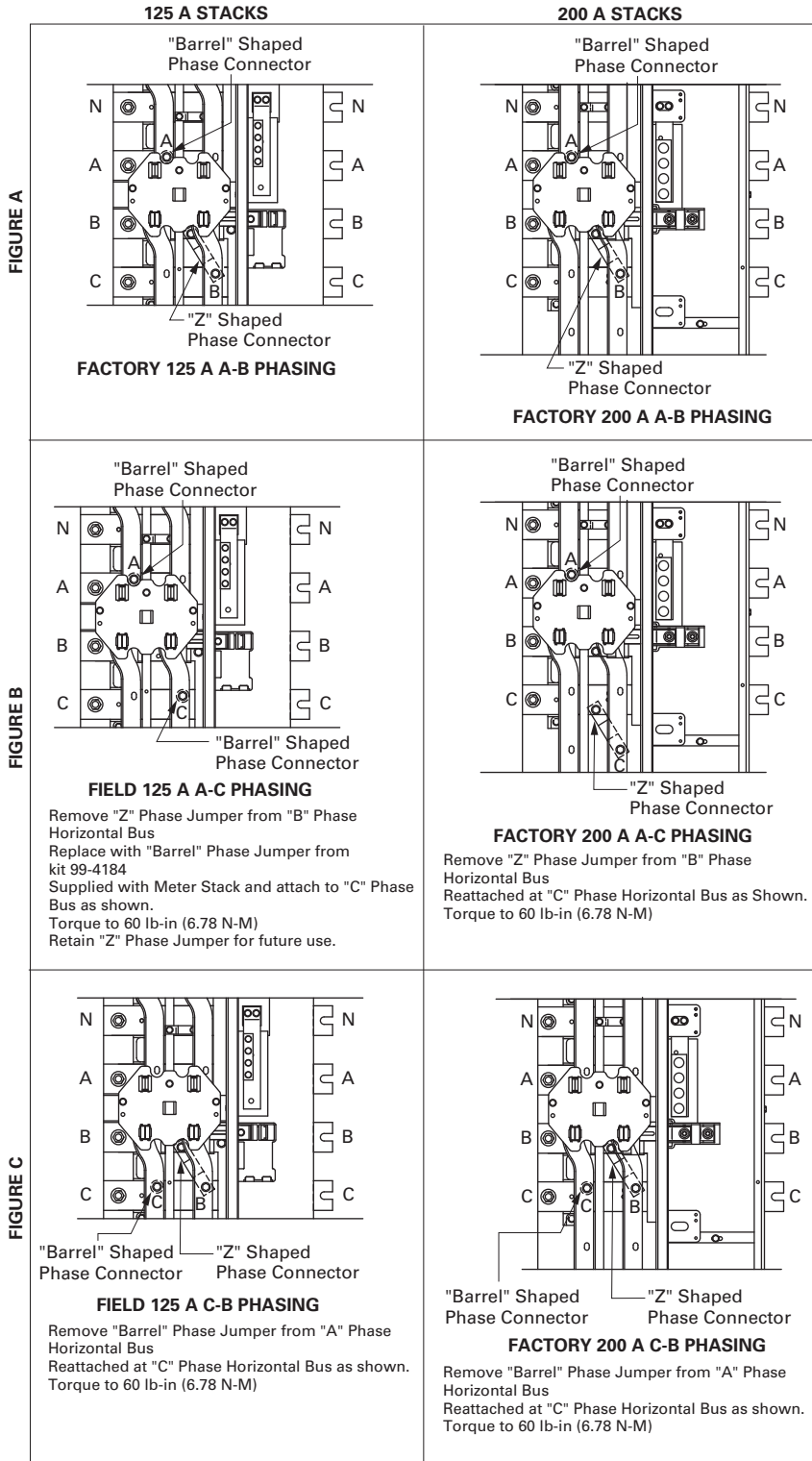


Series Combination Short-Circuit Ratings—240 Vac

Main Module Overcurrent Device Breaker Type or Class Fuse	System AIC Rating 120/240 Vac Maximum	Meter Module Tenant Feeder Breaker Type 1MM, 3MM, 35MM, 37MM, 35SS, 37SS or Loadcenter Main Breaker	Tenant Feeder Breaker Short-Circuit Rating	Loadcenter Branch Breaker (Single-, Two- or Three-Pole)
None	10,000	None	—	BD, BR, BRD, BQ, BQC, BRCAF, GFTCB
Without main disconnect. Cable tap box Type 1MTB_, 3MTB_	10,000	BR, CC, BW, CCV	10,000	
	22,000	BRH	22,000	
Main switch module, Type 1MFS, 3MFS and 1BPS, 3BPS	25,000	CSR, CCVH	25,000	
	42,000	BRHH, CVS	42,000	
Main breaker module, Type 1MCB, 3MCB	65,000	BRX, CV, KD, HKD	65,000	
	100,000	CVH, KDC	100,000	
Without main disconnect. Cable tap box Type 1MTB_, 3MTB_	10,000	BR, CC, BW, CCV	10,000	BD, BR, BRD, BQ, BQC, CH, CHT, BRCAF, CHFCAF, CHF, CH-GFCI, GFTCB
	22,000	BRH	22,000	
Main switch module, Type 1MFS, 3MFS and 1BPS, 3BPS	25,000	CSR, CCVH	25,000	
	42,000	BRHH, CVS	42,000	
Main breaker module, Type 1MCB, 3MCB	65,000	BRX, CV, KD, HKD	65,000	
Main breaker module Type 1MCB_, 3MCB_ 2000 A maximum	65,000	BRHX	22,000	BR, BRAFGF
Main switch module Type 1MFS_, 3MFS_ with Class T fuse, 600 A maximum	100,000	BRH	22,000	BD, BR, BRD, BQ, BQC, GFCB, GFTCB
Main switch module Type 1MFS_, 3MFS_ with Class T fuse, 1200 A maximum	100,000	BRHH	42,000	BD, BR, BRD, BQ, BQC, CH, CHT, BRCAF, CHFCAF, CHF, GFTCB

Phase Balancing

4

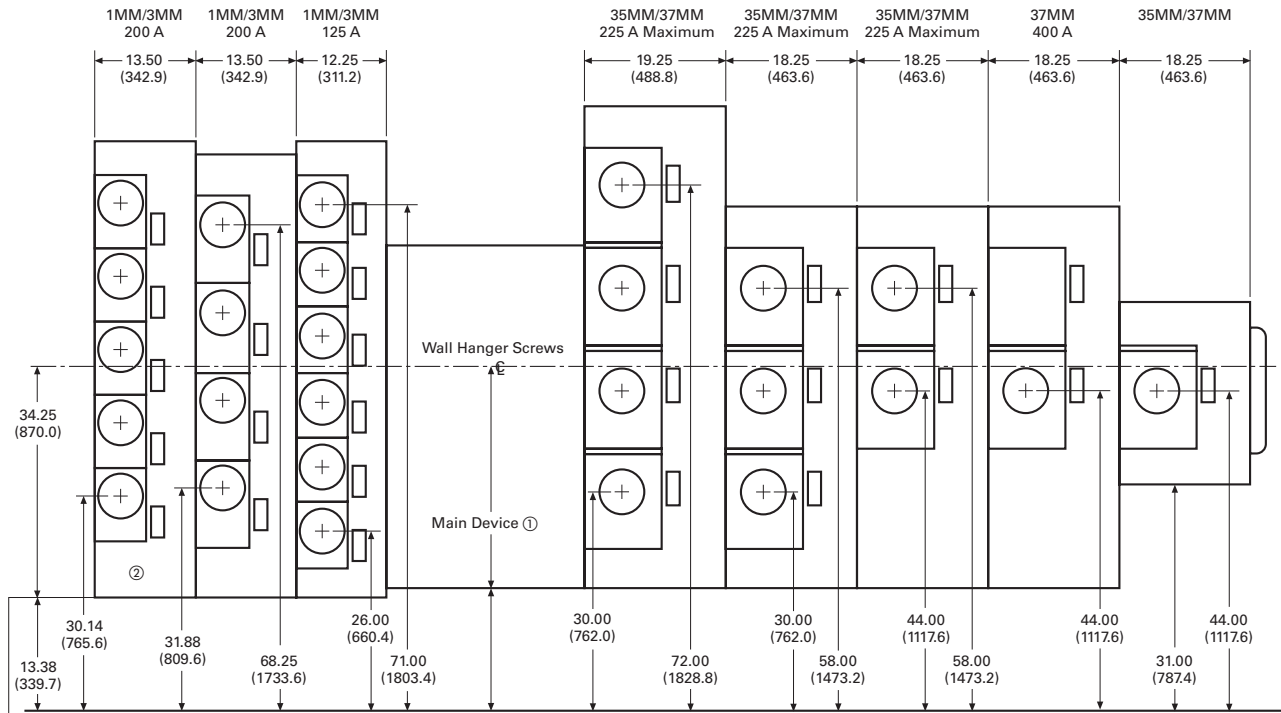


Dimensions

Approximate Dimensions in Inches (mm)

General Layout

Minimum and maximum height of single-phase and three-phase meter sockets above typical ground level.



Typical Height Above Ground or Floor Level

Mounting Features



Mounting Features

A standard mounting rail and factory-installed swing away feet, speed up and simplify installation.

Notes

- ① Not a constant value. Dimension changes depending on main device chosen. See **Page V1-T4-103** for specific dimensions.
- ② Residential device.

Meter Pack



4

Contents

Description

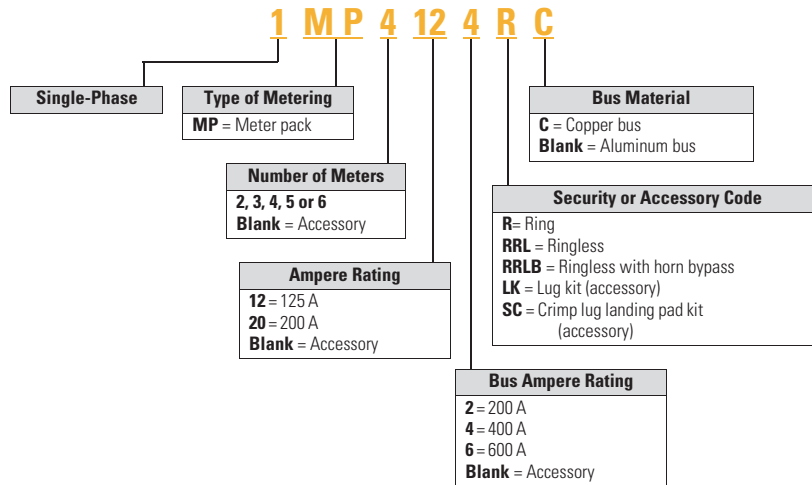
	<i>Page</i>
Systems for Residential and Commercial Applications	V1-T4-68
Meter Packs	
Catalog Number Selection	V1-T4-77
Product Selection	V1-T4-78
Dimensions and Knockouts	V1-T4-80
Meter Packs—Tenant Circuit Breakers	V1-T4-88
Main Service Modules	V1-T4-89
Residential Meter Stacks	V1-T4-108
Commercial Meter Stack Modules	V1-T4-123
35MM, 37MM, 35SS and 37SS Tenant Main Circuit Breakers	V1-T4-130
Phase Balanced Stack	V1-T4-132
Group Metering Inline Current Transformer Cabinets	V1-T4-133
Surge Metering	V1-T4-134
Group Metering Accessories	V1-T4-135

Meter Packs

Product Overview

- Eaton's 1MP units are self-contained (main terminal box included) for installations requiring up to six meter socket positions in a single enclosure
- Units are not gangable with any other metering device
- Approved by major power companies, UL listed, suitable as service equipment and meet the service and electrical requirements of EUSERC and CECHA
- Series rating up to 100 kAIC
- All ringless cover devices include fifth jaw as standard
- Ring type devices do not include fifth jaw as standard. Order 1MM5JK if needed
- Bondable neutral
- 120/240 Vac, single-phase three-wire metering device
- Up to 600 A maximum horizontal bus rating
- Incoming lugs not included (phase A, phase B and neutral)
- Indoor/outdoor construction
- Provision for two-pole breaker (plug-on type for 125 A sockets and bolt-on type for 200 A sockets)—circuit breakers not included
- Underground feed incoming standard with overhead feed available on select hubs
- Aluminum or copper bus

Catalog Number Selection



When Ordering:

1. Determine catalog number of the basic device.
2. Include Lug Kit for incoming section. See **Page V1-T4-141**.
3. Find quantity and catalog numbers for tenant circuit breakers. (Order one breaker per socket.) See **Page V1-T4-141**.
4. Select required accessories. See **Page V1-T4-136**.

Product Selection

Meter Packs

Aluminum Bus—Main Lugs Not Included—See Page V1-T4-141

Socket Ampere Rating	Number of Meter Sockets	Bus Ampere Rating	Main Tenant Breaker Type (See Page V1-T4-141)	Catalog Number	Semi-Flush Flange Kit Catalog Number
Ring Style Meter Socket Covers ^{①②}					
125 ^③	2 ^⑤	200	Plug-on type BR2_	1MP2122R ^{⑥⑦}	1MP5FK1
125 ^③	3	400	BRH2_	1MP3124R ^⑨	1MP5FK2
125 ^③	4	400	BRHX2_	1MP4124R ^⑨	1MP5FK2
125 ^③	5 ^⑤	600	BRHH2_	1MP5126R ^⑨	1MP5FK3
125 ^③	6 ^⑤	600	BRX2_	1MP6126R ^⑨	1MP5FK3
200 ^④	2	400	Bolt-on type CCV2_X	1MP2204R ^⑨	1MP5FK4
200 ^④	3	600	CCVH2_X	1MP3206R ^⑨	1MP5FK5
200 ^④	4	600	CVS2_XMM	1MP4206R ^⑨	1MP5FK5
200 ^④	5	600	CV2_XMM	1MP5206R ^⑨	1MP5FK6
200 ^④	6	600	CVH2_XMM	1MP6206R ^⑨	1MP5FK6
Ringless Style Meter Socket Covers ^⑧					
125	2	200	Plug-on type BR2_	1MP2122RRL ^{⑥⑦}	1MP5FK1
125	3	400	BRH2_	1MP3124RRL ^⑨	1MP5FK2
125	4	400	BRHX2_	1MP4124RRL ^⑨	1MP5FK2
125	5	600	BRHH2_	1MP5126RRL ^⑨	1MP5FK3
125	6	600	BRX2_	1MP6126RRL ^⑨	1MP5FK3
200	2	400	Bolt-on type CCV2_X	1MP2204RRL ^⑨	1MP5FK4
200	3	600	CCVH2_X	1MP3206RRL ^⑨	1MP5FK5
200	4	600	CVS2_XMM	1MP4206RRL ^⑨	1MP5FK5
200	5	600	CV2_XMM	1MP5206RRL ^⑨	1MP5FK6
200	6	600	CVH2_XMM	1MP6206RRL ^⑨	1MP5FK6
Ringless Style Covers with Horn Bypass ^⑩					
125	2	200	Plug-on type BR2_	1MP2122RRLB ^{⑥⑦}	1MP5FK1
125	3	400	BRH2_	1MP3124RRLB ^{⑨⑩}	1MP5FK2
125	4	400	BRHX2_	1MP4124RRLB ^{⑨⑩}	1MP5FK2
125	5	600	BRHH2_	1MP5126RRLB ^{⑨⑩}	1MP5FK3
125	6	600	BRX2_	1MP6126RRLB ^{⑨⑩}	1MP5FK3
200	2	400	Bolt-on type CCV2_X	1MP2204RRLB ^{⑨⑩}	1MP5FK4
200	3	600	CCVH2_X	1MP3206RRLB ^{⑨⑩}	1MP5FK5
200	4	600	CVS2_XMM	1MP4206RRLB ^{⑨⑩}	1MP5FK5
200	5	600	CV2_XMM	1MP5206RRLB ^{⑨⑩}	1MP5FK6
200	6	600	CVH2_XMM	1MP6206RRLB ^{⑨⑩}	1MP5FK6

Notes

- ① Ring Style Meter Packs do not come with fifth jaw. Order **1MM5JK** if needed.
- ② Reference drawing EUSERC DWG-342, G1.
- ③ To change in field from ring to ringless—order **1MMRC125**.
- ④ To change in field from ring to ringless—order **1MMRC200**.
- ⑤ To change from ring to ringless covers, the top socket only in 2, 5 and 6 socket designs—order **1MMRC125T**. Top socket only.
- ⑥ Main lugs included. #6–300 kcmil. (Optional lugs are not available.)
- ⑦ For overhead use, order DS_H2 type hub.
- ⑧ Fifth jaw factory installed at 9 o'clock position.
- ⑨ For overhead use, order DS_MH type hub.
- ⑩ To order with raceway provision in bottom endwall, add "T" suffix to the catalog number. Trough accessory catalog number is **1008934CH**.

See **Page V1-T4-141** for Main Lug Kit selection and Wire Sizes.

Copper Bus—Main Lugs Not Included—See Page V1-T4-141

Socket Ampere Rating	Number of Meter Sockets	Bus Ampere Rating	Main Tenant Breaker Type (See Page V1-T4-141)	Catalog Number	Semi-Flush Flange Kit Catalog Number
Ring Style Meter Socket Covers ^{①②}					
125 ^③	2 ^④	200	Plug-on type	1MP2122RC ^⑦	1MPSFK1
125 ^③	3	400	BR2_	1MP3124RC ^⑧	1MPSFK2
125 ^③	4	400	BRH2_	1MP4124RC ^⑧	1MPSFK2
125 ^③	5 ^⑤	600	BRHX2_	1MP5126RC ^⑧	1MPSFK3
125 ^③	6 ^⑤	600	BRHH2_	1MP6126RC ^⑧	1MPSFK3
200 ^④	2	400	Bolt-on type	1MP2204RC ^⑧	1MPSFK4
200 ^④	3	600	CCV2_X	1MP3206RC ^⑧	1MPSFK5
200 ^④	4	600	CCVH2_X	1MP4206RC ^⑧	1MPSFK5
200 ^④	5	600	CVS2_XMM	1MP5206RC ^⑧	1MPSFK6
200 ^④	6	600	CV2_XMM	1MP6206RC ^⑧	1MPSFK6
Ringless Style Meter Socket Covers ^⑥					
125	2	200	Plug-on type	1MP2122RRLC ^⑦	1MPSFK1
125	3	400	BR2_	1MP3124RRLC ^⑧	1MPSFK2
125	4	400	BRH2_	1MP4124RRLC ^⑧	1MPSFK2
125	5	600	BRHX2_	1MP5126RRLC ^⑧	1MPSFK3
125	6	600	BRHH2_	1MP6126RRLC ^⑧	1MPSFK3
200	2	400	Bolt-on type	1MP2204RRLC ^⑧	1MPSFK4
200	3	600	CCV2_X	1MP3206RRLC ^⑧	1MPSFK5
200	4	600	CCVH2_X	1MP4206RRLC ^⑧	1MPSFK5
200	5	600	CVS2_XMM	1MP5206RRLC ^⑧	1MPSFK6
200	6	600	CV2_XMM	1MP6206RRLC ^⑧	1MPSFK6
Ringless Style Covers with Horn Bypass ^⑥					
125	2	200	Plug-on type	1MP2122RRLBC ^⑦	1MPSFK1
125	3	400	BR2_	1MP3124RRLBC ^⑧	1MPSFK2
125	4	400	BRH2_	1MP4124RRLBC ^⑧	1MPSFK2
125	5	600	BRHX2_	1MP5126RRLBC ^⑧	1MPSFK3
125	6	600	BRHH2_	1MP6126RRLBC ^⑧	1MPSFK3
200	2	400	Bolt-on type	1MP2204RRLBC ^⑧	1MPSFK4
200	3	600	CCV2_X	1MP3206RRLBC ^⑧	1MPSFK5
200	4	600	CCVH2_X	1MP4206RRLBC ^⑧	1MPSFK5
200	5	600	CVS2_XMM	1MP5206RRLBC ^⑧	1MPSFK6
200	6	600	CV2_XMM	1MP6206RRLBC ^⑧	1MPSFK6

Notes

- ① Ring Style Meter Packs do not come with fifth jaw. Order **1MM5JK** if needed.
- ② Reference drawing EUSERC DWG-342, G1.
- ③ To change in field from ring to ringless—order **1MMRC125**.
- ④ To change in field from ring to ringless—order **1MMRC200**.
- ⑤ To change in field from ring to ringless covers, the top socket only in 5 to 6 socket design—order **1MMRC125T**. Top socket only—other sockets see ③.
- ⑥ Fifth jaw factory installed at 9 o'clock position.
- ⑦ For overhead use, order DS_H2 type hub.
- ⑧ For overhead use, order DS_MH type hub.

4.3

Metering Products

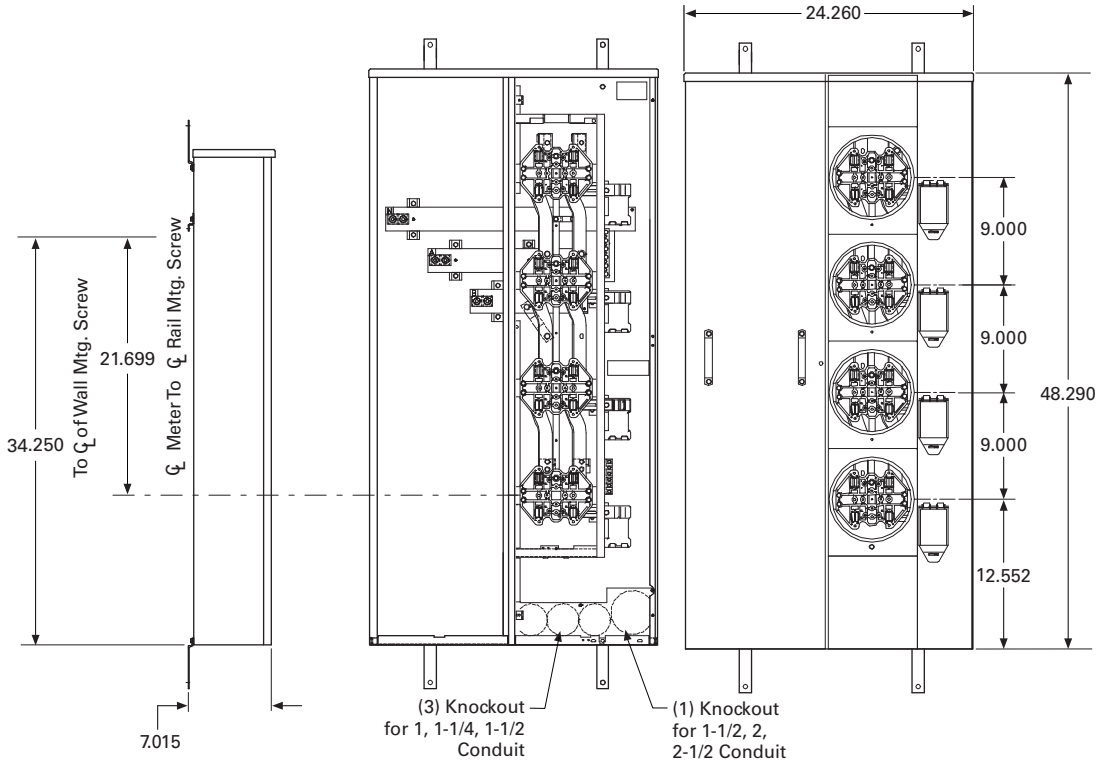
Group Metering

Dimensions and Knockouts

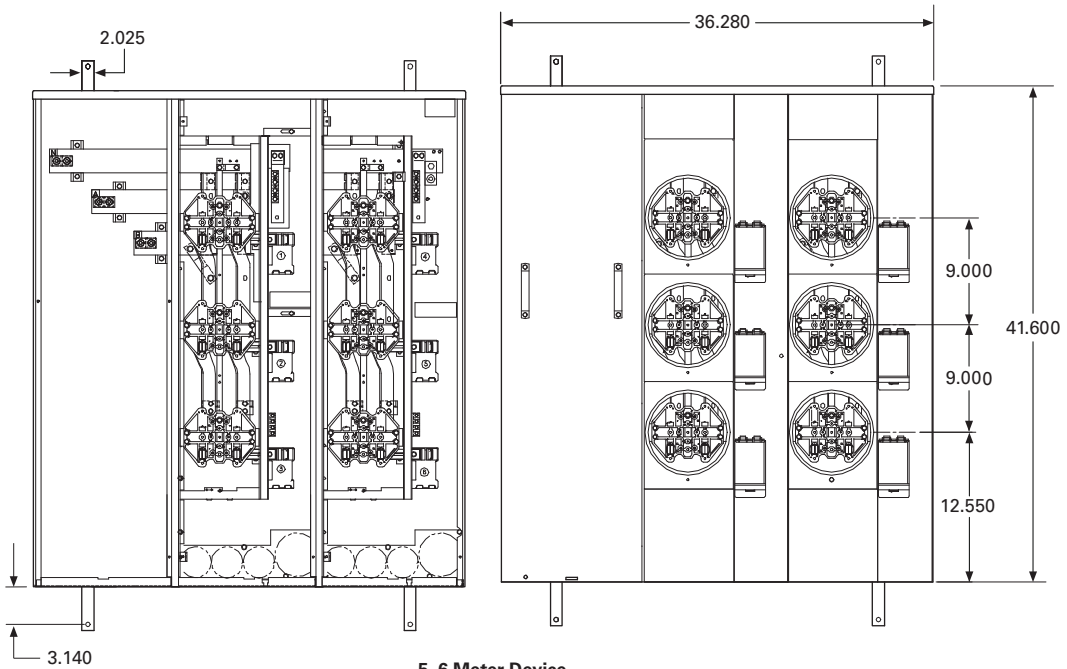
Approximate Dimensions in Inches (mm)

1MP, 125 Ampere Meter Packs—Aluminum and Copper Bus (1 of 2)

4



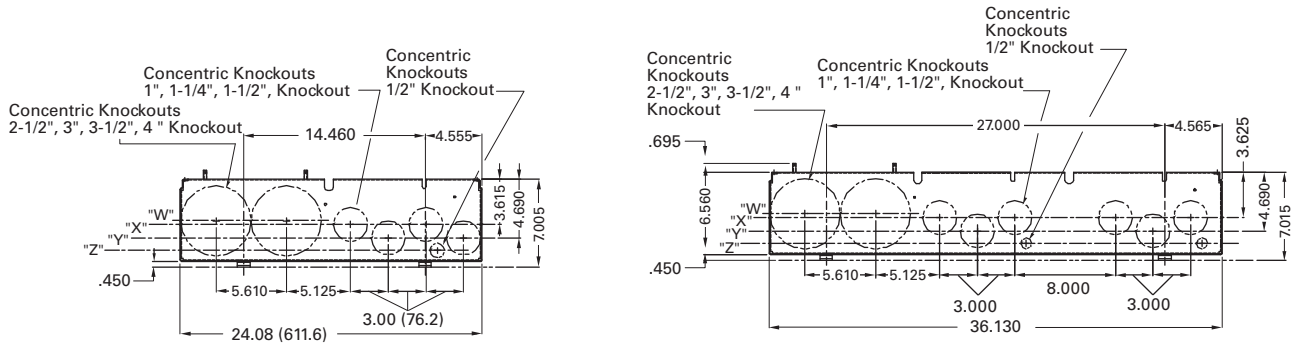
3, 4 Meter Device



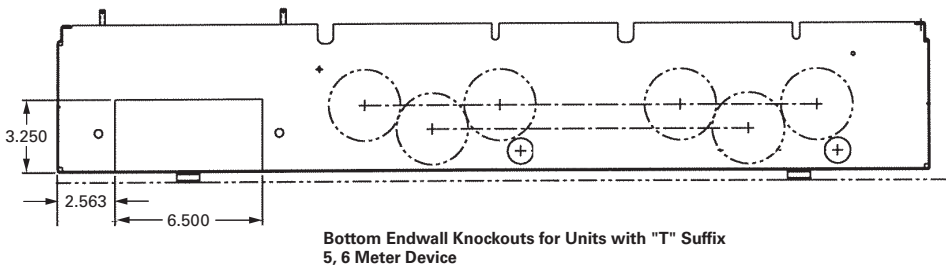
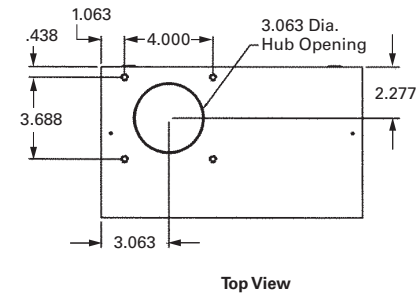
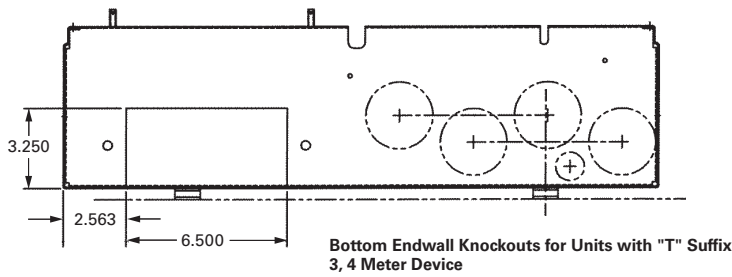
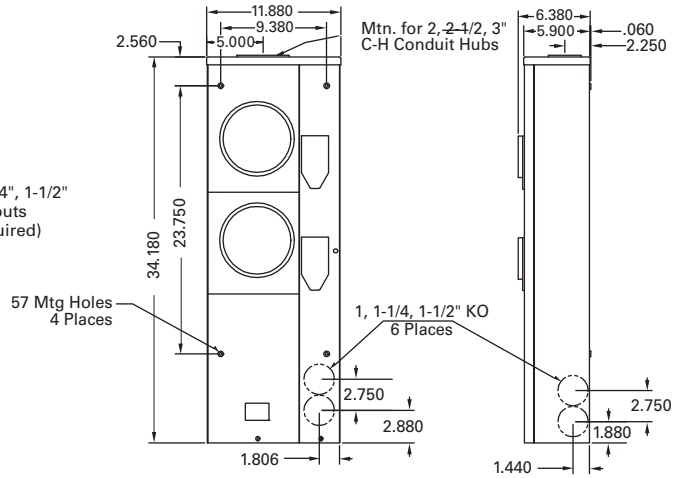
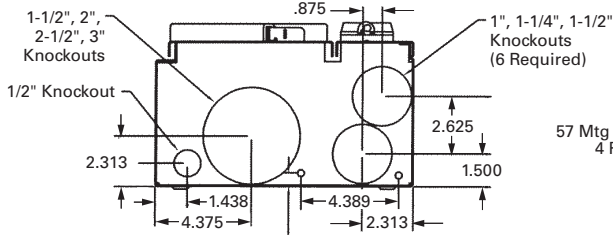
5, 6 Meter Device

Approximate Dimensions in Inches (mm)

1MP, 125 Ampere Meter Packs—Aluminum and Copper Bus (2 of 2)



"Z" = C of 1/2" Ring
 "Y" = C of 1-1/2" Ring
 "X" = C of 1-1/2" Ring
 "W" = C of 4" Ring



4.3

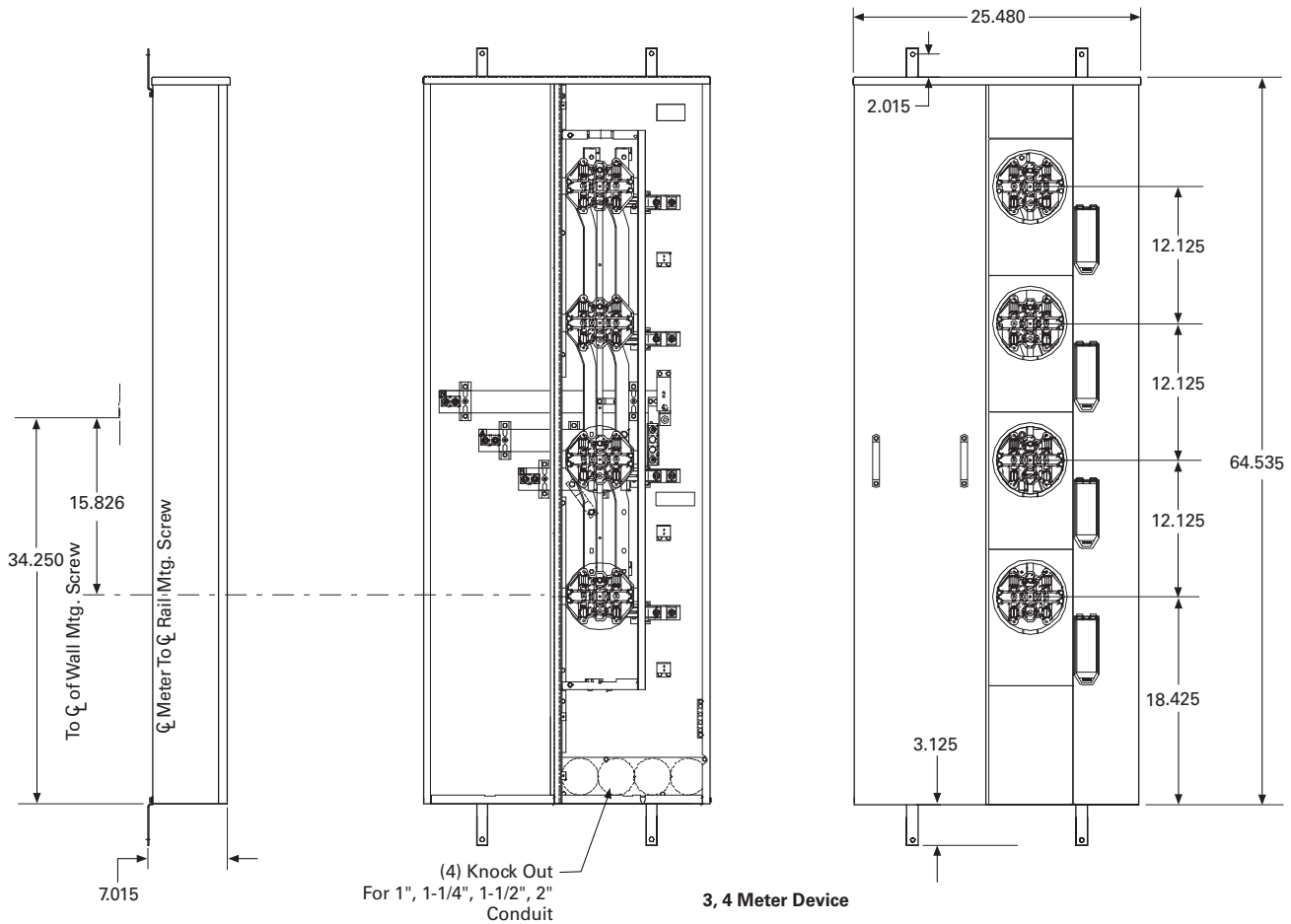
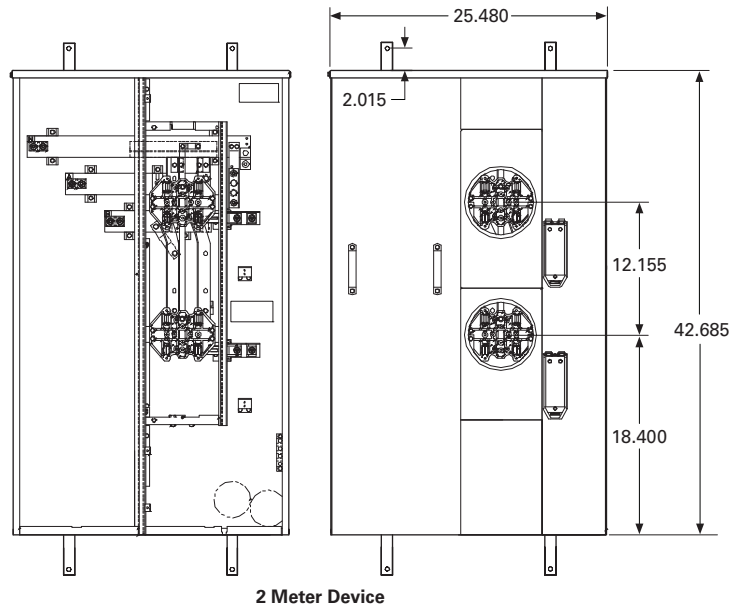
Metering Products

Group Metering

Approximate Dimensions in Inches (mm)

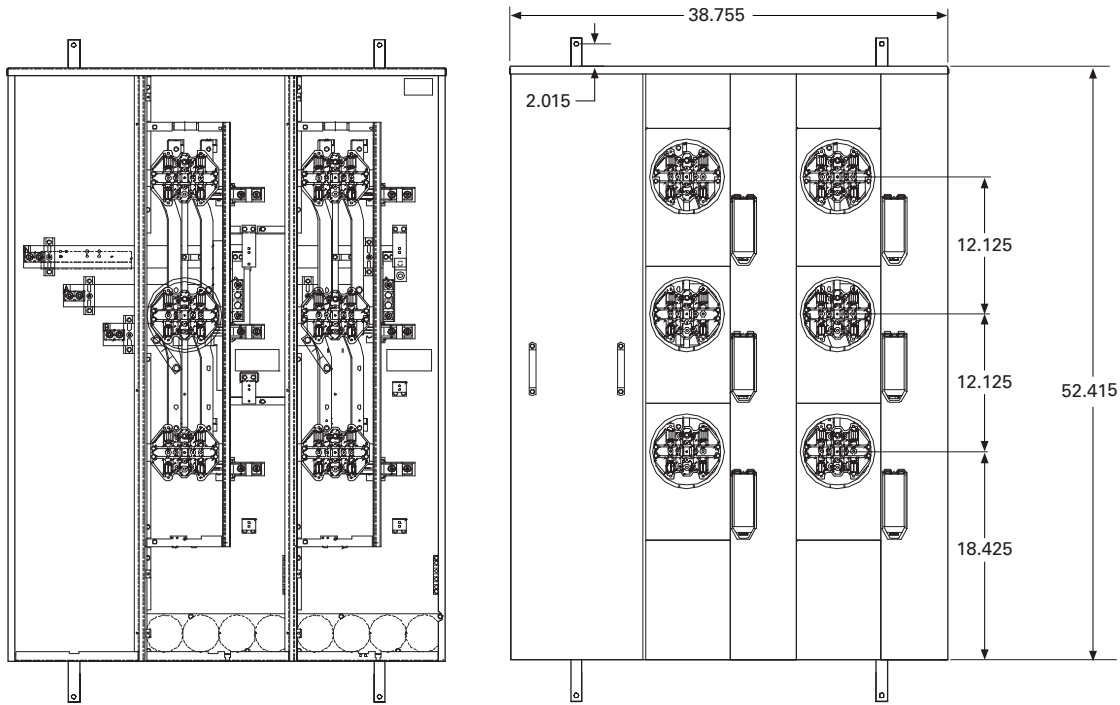
1MP, 200 Ampere Meter Packs—Aluminum and Copper Bus (1 of 2)

4

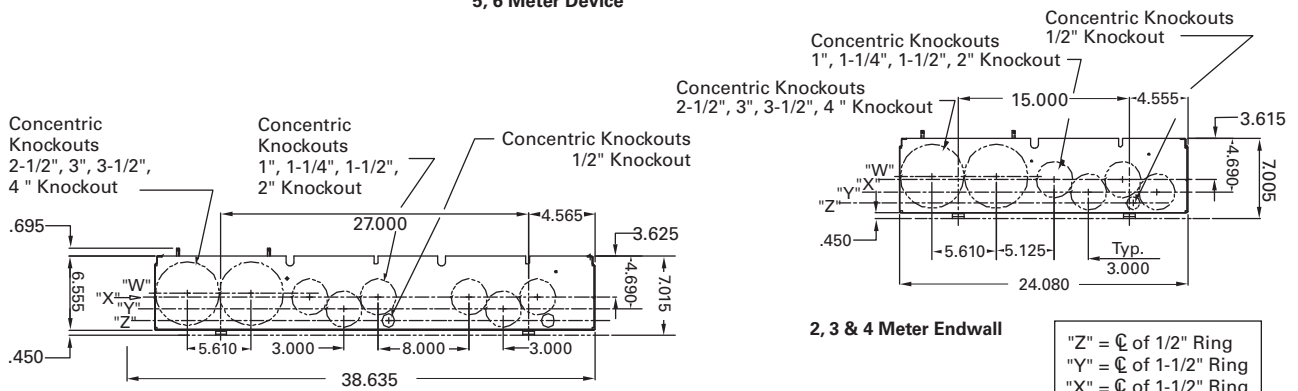


Approximate Dimensions in Inches (mm)

1MP, 200 Ampere Meter Packs—Aluminum and Copper Bus (2 of 2)

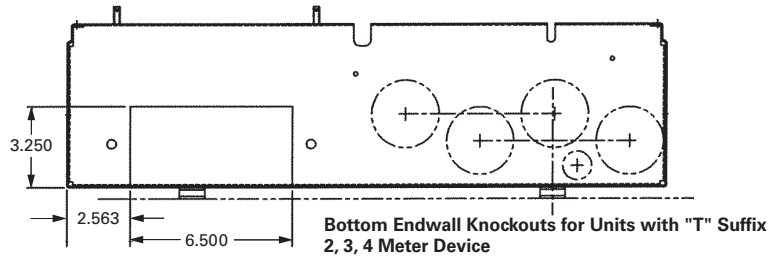


5, 6 Meter Device

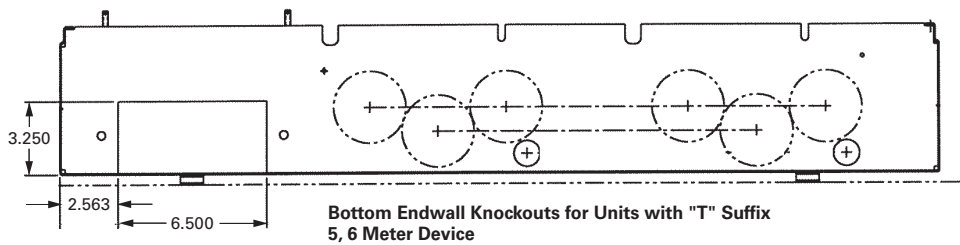


2, 3 & 4 Meter Endwall

"Z" = C of 1/2" Ring
 "Y" = C of 1-1/2" Ring
 "X" = C of 1-1/2" Ring
 "W" = C of 4" Ring



Bottom Endwall Knockouts for Units with "T" Suffix
 2, 3, 4 Meter Device



Bottom Endwall Knockouts for Units with "T" Suffix
 5, 6 Meter Device

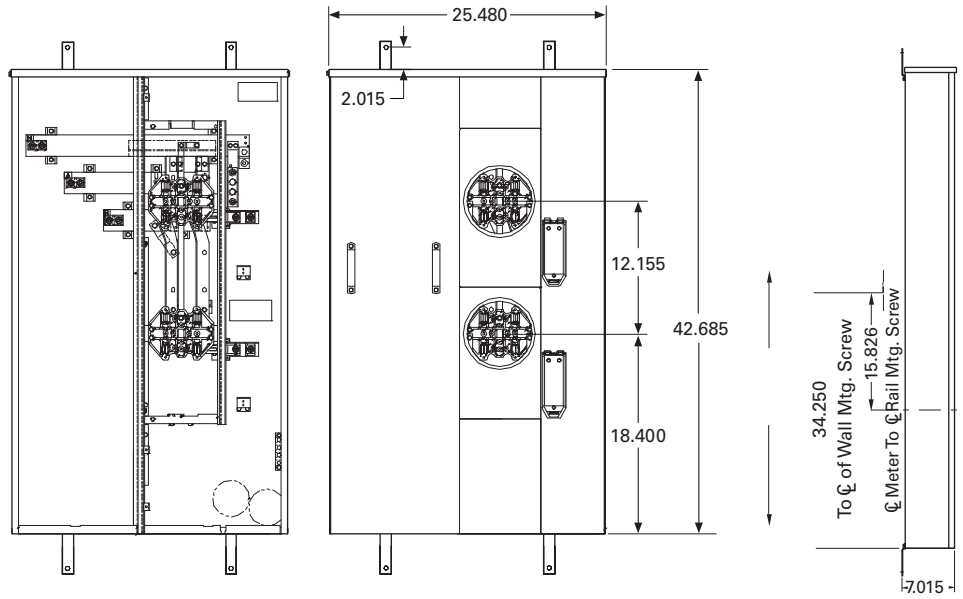
4.3

Metering Products

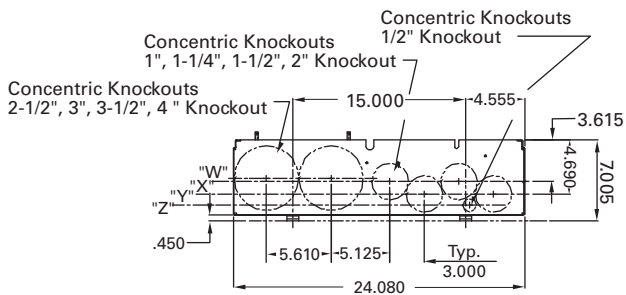
Group Metering

Approximate Dimensions in Inches (mm)

1MP, 200 Ampere Meter Packs—Aluminum and Copper Bus (2 Meter Device)

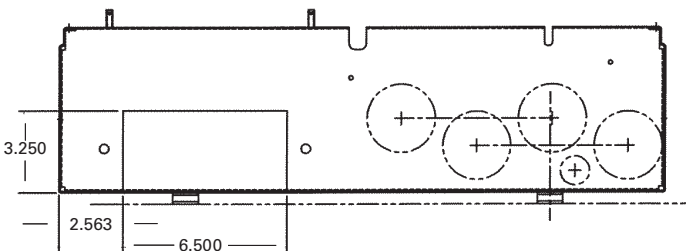
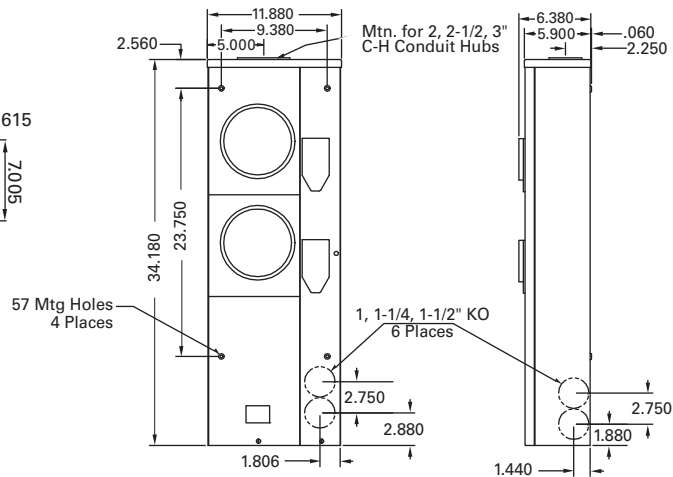


2 Meter Device



2, 3 & 4 Meter Endwall

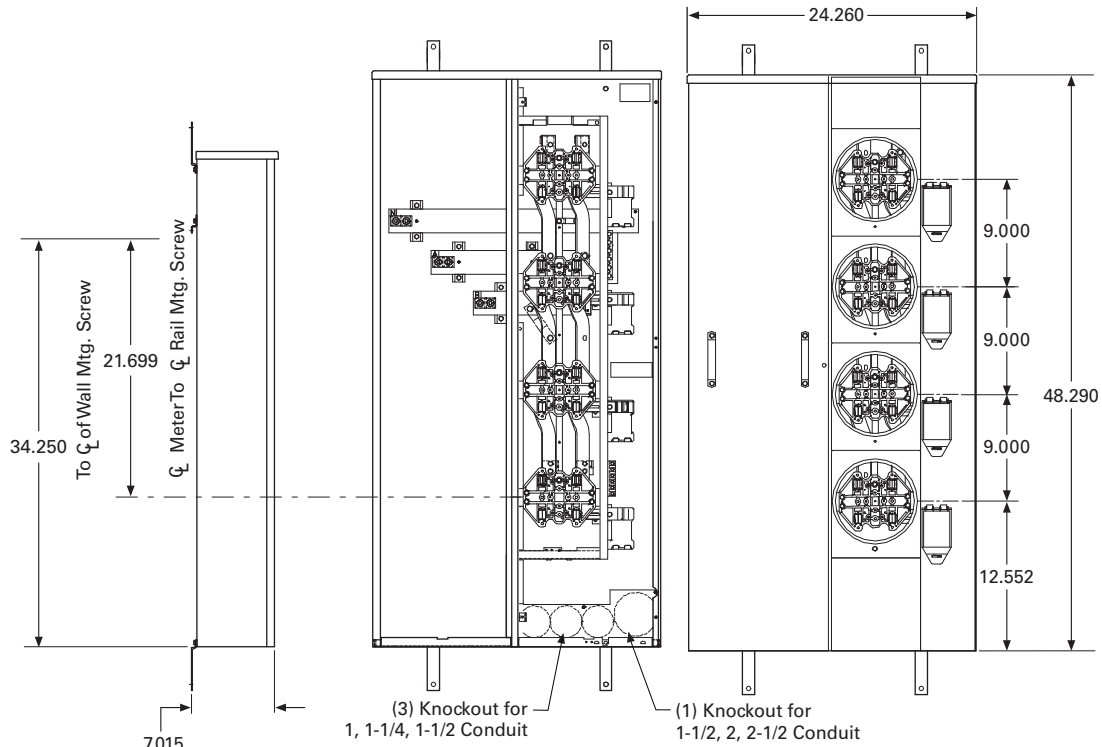
"Z" = C of 1/2" Ring
 "Y" = C of 1-1/2" Ring
 "X" = C of 1-1/2" Ring
 "W" = C of 4" Ring



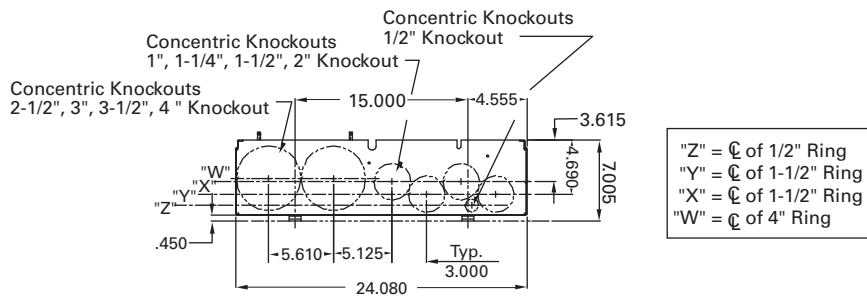
Bottom Endwall Knockouts
 for Units with "T" Suffix
 2, 3, 4 Meter Device

Approximate Dimensions in Inches (mm)

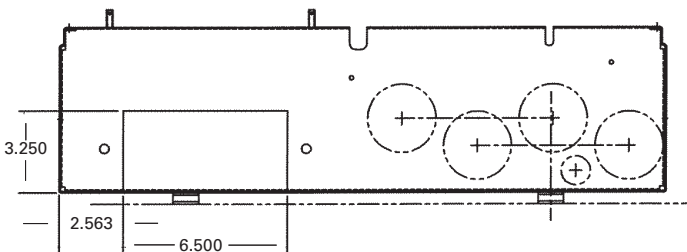
1MP, 200 Ampere Meter Packs—Aluminum and Copper Bus (3 and 4 Meter Device)



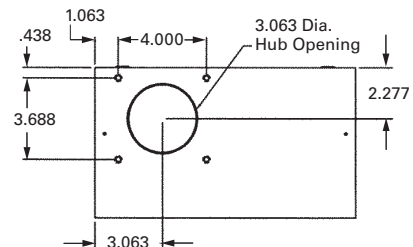
3 and 4 Meter Device



2, 3 & 4 Meter Endwall



Bottom Endwall Knockouts for Units with "T" Suffix
2, 3, 4 Meter Device



Top View

4.3

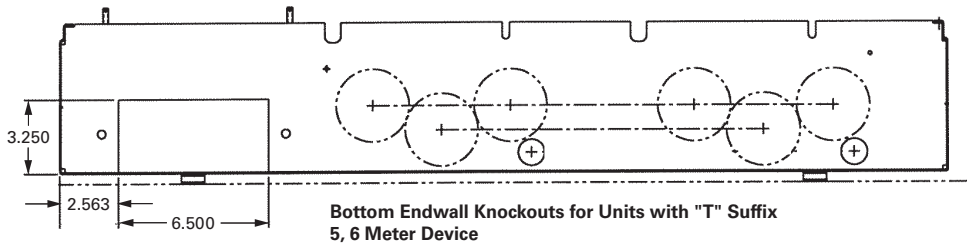
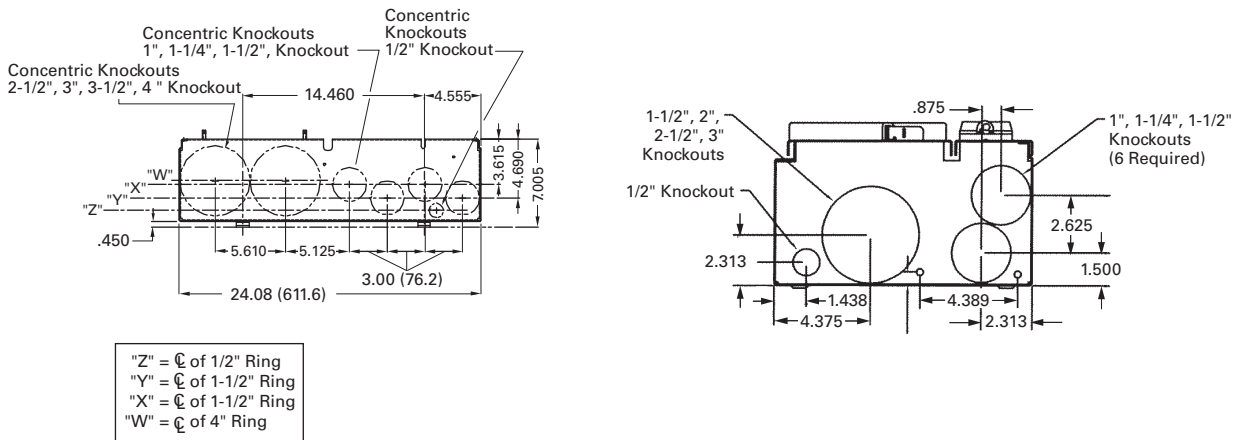
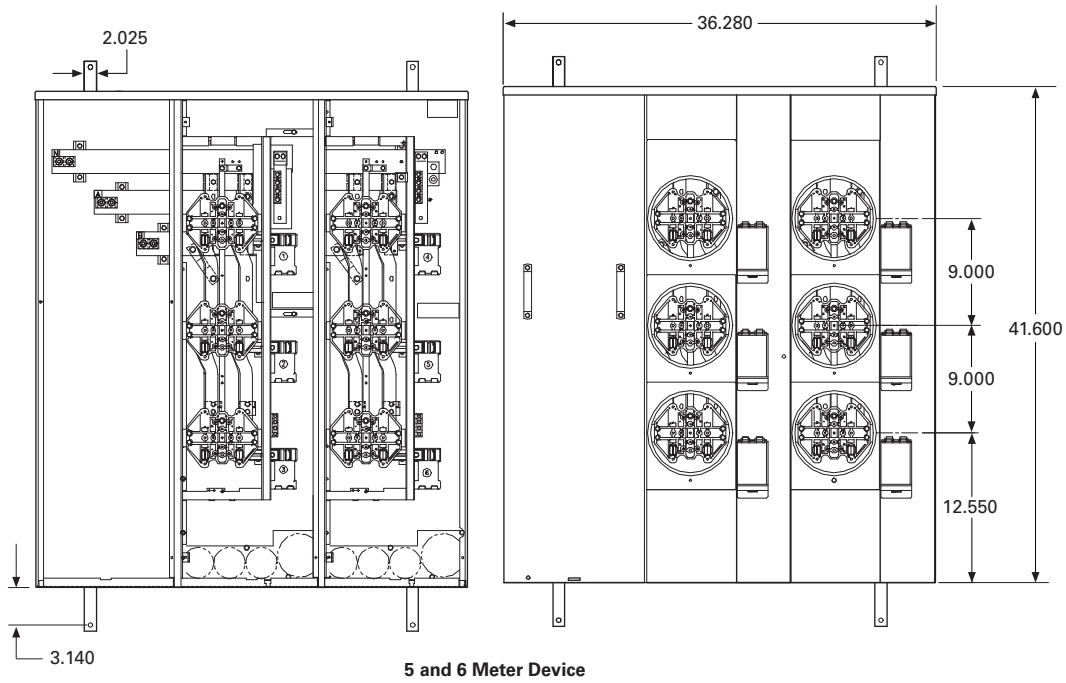
Metering Products

Group Metering

Approximate Dimensions in Inches (mm)

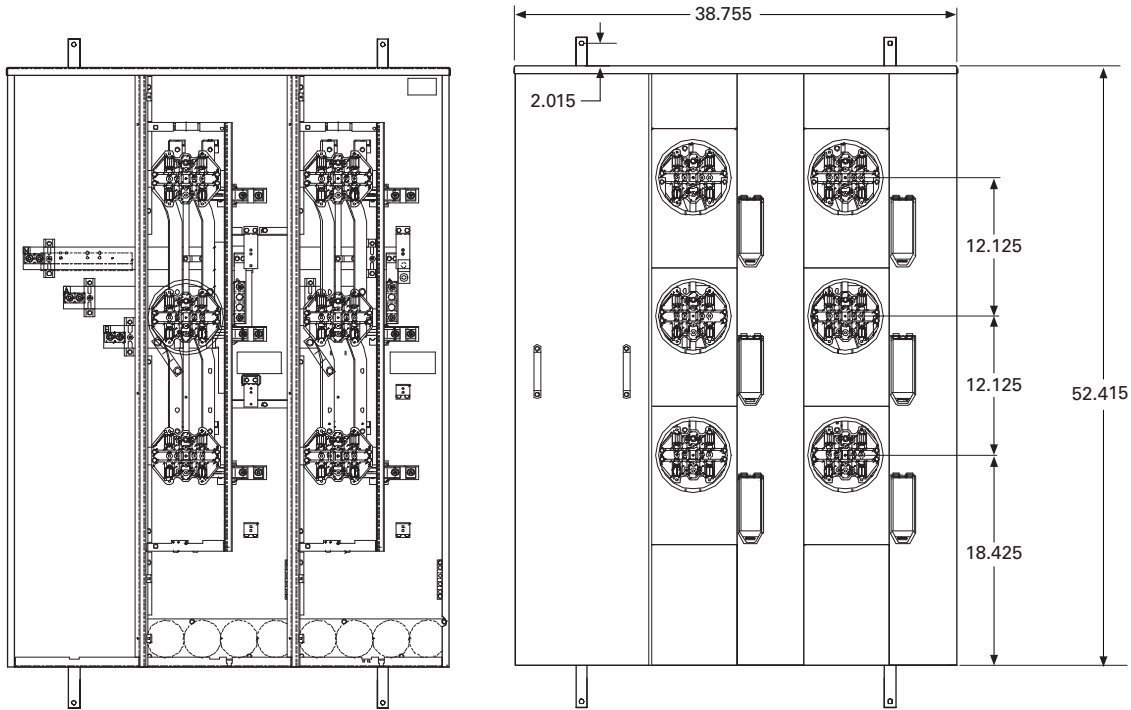
1MP, 200 Ampere Meter Packs—Aluminum and Copper Bus (5 and 6 Meter Device) 1 of 2

4

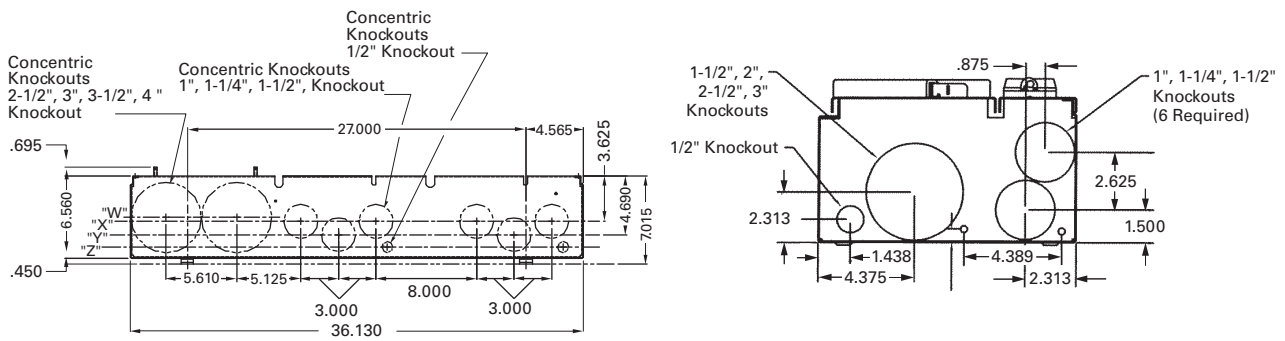


Approximate Dimensions in Inches (mm)

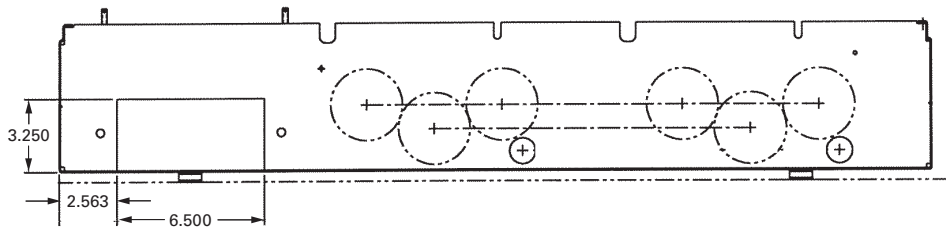
1MP, 200 Ampere Meter Packs—Aluminum and Copper Bus (5 and 6 Meter Device) 2 of 2



5 and 6 Meter Device



"Z" = C of 1/2" Ring
 "Y" = C of 1-1/2" Ring
 "X" = C of 1-1/2" Ring
 "W" = C of 4" Ring



**Bottom Endwall Knockouts for Units with "T" Suffix
 5, 6 Meter Device**

Main Tenant Circuit Breakers



Contents

<i>Description</i>	<i>Page</i>
Systems for Residential and Commercial Applications	V1-T4-68
Meter Packs	V1-T4-76
Meter Packs—Tenant Circuit Breakers	V1-T4-88
Main Service Modules	V1-T4-89
Residential Meter Stacks	V1-T4-108
Commercial Meter Stack Modules	V1-T4-123
35MM, 37MM, 35SS and 37SS Tenant Main Circuit Breakers	V1-T4-130
Phase Balanced Stack	V1-T4-132
Group Metering Inline Current Transformer Cabinets	V1-T4-133
Surge Metering	V1-T4-134
Group Metering Accessories	V1-T4-135

Meter Packs—1MP, 1MM and 3MM Main Tenant Circuit Breakers

Product Description

Specific main tenant circuit breakers that are to be used in meter packs (1MP), residential meter stacks (1MM) and three-phase in single-phase out meter stacks (3MM).

Product Selection

Meter Packs—1MP, 1MM and 3MM Main Tenant Circuit Breakers

Description	Number of Poles	Main Tenant Circuit Breaker Ampere Rating	10 kAIC Catalog Number ①	22 kAIC Catalog Number	25 kAIC Catalog Number ①②③④	42 kAIC Catalog Number ②③④	65 kAIC Catalog Number ②③④	100 kAIC Catalog Number ②③④
Plug-On Type								
Plug-on type circuit breakers used with 1MP, 1MM, and 3MM 125 A modular metering stacks	2	60	BR260	BRH260	—	BRHH260	BRX260	—
	2	70	BR270	BRH270	—	BRHH270	BRX270	—
	2	80	BR280	BRH280	—	BRHH280	BRX280	—
	2	90	BR290	BRH290	—	BRHH290	BRX290	—
	2	100	BR2100	BRH2100	—	BRHH2100	BRX2100	—
	2	110	BR2110	BRH2110	—	BRHH2110	BRX2110	—
	2	125	BR2125	BRH2125	—	BRHH2125	BRX2125	—
	Bolt-On Type							
Bolt-on type circuit breakers used with 1MP, 1MM, and 3MM 200 A modular metering stacks	2	60	CCV2060X	—	CCVH2060X	CVS2060XMM	CV2060XMM	CVH2060XMM
	2	70	CCV2070X	—	CCVH2070X	CVS2070XMM	CV2070XMM	CVH2070XMM
	2	80	CCV2080X	—	CCVH2080X	CVS2080XMM	CV2080XMM	CVH2080XMM
	2	90	CCV2090X	—	CCVH2090X	CVS2090XMM	CV2090XMM	CVH2090XMM
	2	100	CCV2100X	—	CCVH2100X	CVS2100XMM	CV2100XMM	CVH2100XMM
	2	125	CCV2125X	—	CCVH2125X	CVS2125XMM	CV2125XMM	CVH2125XMM
	2	150	CCV2150X	—	CCVH2150X	CVS2150XMM	CV2150XMM	CVH2150XMM
	2	175	CCV2175X	—	CCVH2175X	CVS2175XMM	CV2175XMM	CVH2175XMM
2	200	CCV2200X	—	CCVH2200X	CVS2200XMM	CV2200XMM	CVH2200XMM	

Notes

- ① #2–300 kcmil wire size range for CCV and CCVH tenant main circuit breakers.
- ② “MM” suffix indicates mounting hardware kit is included as standard with tenant main breaker.
- ③ 1MMCBK replacement mounting hardware kit. One kit is needed per breaker. Mounting hardware kit ships standard with breaker “MM” suffix offering.
- ④ #6–4/0 kcmil wire size range for CVS, CV and CVH tenant main circuit breakers. If #2–300 kcmil is needed, order 2TA225CVK. One kit needed per breaker.

Main Service Modules

Main Service Modules

Product Description

- Main terminal box
- Main circuit breaker
- Main bolted pressure switch
- Main fusible switch
- Main fusible switch with pull box
- Underground pull box

Application Description

Main Circuit Breakers with Busway Connections

The Service Entrance Product Team announces the availability of both main fusible switch and main circuit breaker group metering mains with busway connections. This offering provides us with the ability to offer multiple tenant metering in high rise apartment buildings where riser busway is used.

Features, Benefits and Functions

Eaton's Main Service Module

- Offering: main terminal/lug compartment, main circuit breaker, main fusible switch, main bolted pressure switch, main fusible switch with pull box (meets EUSERC electrical requirements), underground pull box termination compartment without cross bus (meets EUSERC electrical requirements)
- Mechanically and electrically built for use with 1MM, 3MM, 35MM, 37MM, 35SS and 37SS modular metering stacks
- For integrated system short-circuit ratings with main devices, see series ratings on **Page V1-T4-73**
- All main service modules include both left and right horizontal bus closure plates

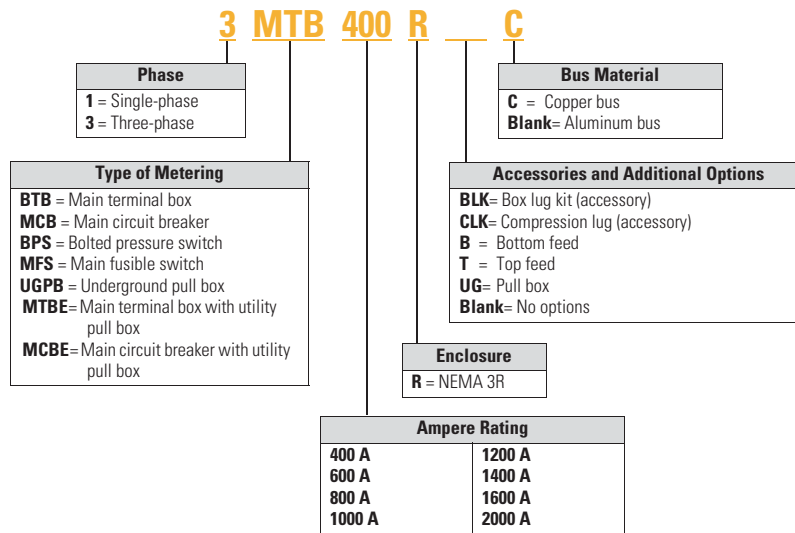
Contents

<i>Description</i>	<i>Page</i>
Systems for Residential and Commercial Applications	V1-T4-68
Meter Packs	V1-T4-76
Meter Packs—Tenant Circuit Breakers	V1-T4-88
Main Service Modules	
Catalog Number Selection	V1-T4-90
Product Selection	V1-T4-91
Dimensions	V1-T4-103
Residential Meter Stacks	V1-T4-108
Commercial Meter Stack Modules	V1-T4-123
35MM, 37MM, 35SS and 37SS Tenant Main Circuit Breakers	V1-T4-130
Phase Balanced Stack	V1-T4-132
Group Metering Inline Current Transformer Cabinets	V1-T4-133
Surge Metering	V1-T4-134
Group Metering Accessories	V1-T4-135

Main Circuit Breakers with Busway Connections

- Two-pole devices are applied to single-phase, three-wire, 120/240 V or 208Y/120 V systems, three-pole devices to 208Y/240 V or 120/240 V delta systems
 - Single-phase mains couple to any modular metering stack (1MM, 3MM, 35MM, 37MM, 35SS and 37SS)
 - Three-phase mains require three-phase bussed stacks. These modular metering stacks are 3MM, 35MM, 37MM, 35SS and 37SS
 - If the ampere rating of the main service module is greater than the horizontal bus rating of the meter stack (residential or commercial), the main service module must be center fed. Examples: 1200 A Main Circuit Breaker (**1MCB1200R**) with an 800 A residential stack (**1MM512R**). 1600 A Main Terminal Box (**3MTB1600R**) with a 1200 A residential stack (**3MM212R12**)
 - Most main service modules are available with aluminum or copper bus
- Three-phase, 400–200 A main circuit breakers
 - Three-phase, 400–800 A main fusible switches
 - Simple bridge joint connection
 - Variety of options:
 - Right or left mounting
 - Internal ground or housing ground
 - The MFS/MCB and busway connector are supplied completely assembled

Catalog Number Selection



When Ordering:

1. Determine catalog number of Main Service Module.
2. Determine catalog number of Meter Stack (Residential or Commercial).
3. Find quantity and catalog numbers for tenant circuit breakers (found on **Page V1-T4-125** or **V1-T4-131**). Order one breaker per socket.
4. If any accessories are needed, order from **Pages V1-T4-136** and **V1-T4-137**.

Product Selection

Main Terminal Box

- Phase and neutral lugs are included
- Top or bottom feed:
 - For top feed, use Myer type hub
- Indoor or outdoor
- Terminal box UL listed short-circuit rating is the least AIC rating of any installed main tenant breaker—to a maximum of 100,000 rms symmetrical amperes

Main Terminal Box



Main Terminal Box

Ampere Rating	Line Side Lug and Wire Sizes—Included	System Voltage 120/240 Vac Single-Phase, Three-Wire Catalog Number	120/208 Vac Three-Phase, Four-Wire Catalog Number
Aluminum Bus (Standard Offering)			
400	(1) #6–600 or (2) 1/0–250 kcmil ②	Use three-phase	3MTB400R
600	(2) 250–500 kcmil ③	Use three-phase	3MTB600R
800	(4) 250–500 kcmil ④⑤	1MTB800R	3MTB800R
1200 ①	(4) 250–500 kcmil ⑥⑥	1MTB1200R	3MTB1200R
Aluminum Bus (EUSERC)			
400	Crimp lug landing pads (no lugs included)	1MTBE400R ⑦	3MTBE400R ⑦
800	Crimp lug landing pads (no lugs included)	1MTBE800R ⑦	3MTBE800R ⑦
Copper Bus (Premium Offering)			
400	(1) #6–600 or (2) 1/0–250 kcmil ②	Use three-phase	3MTB400RC
600	(2) 250–500 kcmil ③	Use three-phase	3MTB600RC
800	(4) 250–500 kcmil ④⑤	1MTB800RC	3MTB800RC
1200 ①	(4) 250–500 kcmil ⑥⑥	1MTB1200RC	3MTB1200RC
1400	(6) #2–600 kcmil	1MCB1400RBC-600	3MCB1400RBC-600
1400	(6) #2–600 kcmil	1MCB1400RT-600	3MCB1400RT-600
1600 ①	(6) 250–500 kcmil	1MTB1600RC	3MTB1600RC
2000 ①	(8) 1/0–750 kcmil or (16) 1/0–300 kcmil	1MTB2000RC	3MTB2000RC

Main Terminal Box Riser Panel

Eaton’s Main Terminal Box Riser Panel is a main terminal box with offset lugs on each

phase to allow riser cables to pass through the main service module.

These panels are used in the construction of assisted living homes, dormitories, public housing complexes and apartments.

Main Terminal Box Riser Panel

Ampere Rating	Line and Load Side Lug and Wire Sizes Included	System Voltage 120/240 Vac Single-Phase, Three-Wire Catalog Number	120/208 Vac Three-Phase, Four-Wire Catalog Number
Copper Bus (Standard Offering)			
1200	#2–750 kcmil ①⑥	Use three-phase	3MTB1200RCRIS
1600	#2–750 kcmil ①⑥	Use three-phase	3MTB1600RCRIS
2000	#2–750 kcmil ①⑥	1MTB2000RCRIS	3MTB2000RCRIS

Notes

- ① 1200 A main devices must be center fed when installing 800 A residential meter stacks. 1600 A and 2000 A main devices must be center fed when installing 800–1200 A residential and commercial meter stacks.
- ② For 400 A units, to obtain (4) 750 kcmil cables per phase—order quantity 4 **1MPLK2**. Kit contains one lug.
- ③ For compression lug landing kits for 600 A units, order **3MTB600CLK**. Kit includes lug landings for three phases and neutral.
- ④ For 800 A units, to obtain (4) 1/0–300 kcmil or (2) 1/0–750 kcmil cables per phase—order catalog number **3MTB800BLK**, one lug kit per main terminal box ordered (neutral and ground included in kit).
- ⑤ For 800 A and 1200 A units, for compression lug landing kits, order **3MTB1200CLK**. Kit includes lug landings for three-phase and neutral.
- ⑥ For 1200 A units, to obtain (6) 1/0–300 kcmil or (3) 750 kcmil cables per phase—order catalog number **3MTB1200BLK**, one lug kit per main terminal box ordered (neutral and ground included in kit).
- ⑦ Meets EUSERC electrical requirements and eliminates the need to add additional pull box section. Reference drawing EUSERC DWG-343.
- ⑧ Quantity (10) lugs per phase—quantity (5) lugs incoming and quantity (5) lugs outgoing per phase.
- ⑨ Quantity (16) lugs per phase—quantity (8) lugs incoming and quantity (8) lugs outgoing per phase.

Aluminum Bus—Standard Offering

Main Circuit Breaker

- Phase and neutral lugs included. If additional neutral lugs are needed, order 1MCB1200NLK for (3) 1/0–750 or (6) 1/0–300 kcmil
- For shunt trip mains, order the field-installable shunt trip kit in this volume, Tab 1, section 1.1
- For overhead feed, use Myer type hub. Verify local utility approval
- For compression lugs on 400, 600, 800, 1000 and 1200 A units, add CL to the end of the part number (includes copper lug pads for lines and neutral)
- 1200 A or greater main devices must be center fed when installing 800 A residential meter stacks
- 1400, 1600 and 2000 A main devices must be center fed when installing 800 and 1200 A residential and commercial meter stacks

Main Circuit Breaker



Main Circuit Breaker

Main Ampere Rating	Main Circuit Breaker Type	Feed	kAIC	Line Side Lug and Wire Sizes (Lugs Included with Main Breaker) ①	System Voltage	
					120/240 Vac Single-Phase, Three-Wire Catalog Number	120/208 Vac Three-Phase, Four-Wire Catalog Number
Aluminum Bus (Standard Offering)						
250	KD	Bottom/top	65	(2) 3/0–250 kcmil or (1) 2/0–500 kcmil	1MCB250R	3MCB250R
250	HKD	Bottom/top	100	(2) 3/0–250 kcmil or (1) 2/0–500 kcmil	1MHCB250R	3MHCB250R
300	KD	Bottom/top	65	(2) 3/0–250 kcmil or (1) 2/0–500 kcmil	1MCB300R	3MCB300R
300	HKD	Bottom/top	100	(2) 3/0–250 kcmil or (1) 2/0–500 kcmil	1MHCB300R	3MHCB300R
350	KD	Bottom/top	65	(2) 3/0–250 kcmil or (1) 2/0–500 kcmil	1MCB350R	3MCB350R
350	HKD	Bottom/top	100	(2) 3/0–250 kcmil or (1) 2/0–500 kcmil	1MHCB350R	3MHCB350R
400	KD	Bottom/top	65	(2) 3/0–250 kcmil or (1) 2/0–500 kcmil	1MCB400R ②	3MCB400R ②
400	HKD	Bottom/top	100	(2) 3/0–250 kcmil or (1) 2/0–500 kcmil	1MHCB400R ②	3MHCB400R ②
500	LD	Bottom/top	65	(2) 400–500 kcmil	1MCB500R	3MCB500R
500	HLD	Bottom/top	100	(2) 400–500 kcmil	1MHCB500R	3MHCB500R
600	LD	Bottom/top	65	(2) 400–500 kcmil	1MCB600R ②	3MCB600R ②
600	HLD	Bottom/top	100	(2) 400–500 kcmil	1MHCB600R ②	3MHCB600R ②
700	HMDL	Bottom/top	100	(3) 3/0–400 kcmil	1MHCB700R	3MHCB700R
700	MDL	Bottom/top	65	(3) 3/0–400 kcmil	1MCB700R	3MCB700R
800	MDL	Bottom/top	65	(3) 3/0–400 kcmil	1MCB800R ②	3MCB800R ②
800	MDL	Bottom/top	65	(2) 500–750 kcmil	1MCB800R750	3MCB800R750
800	HMDL	Bottom/top	100	(3) 3/0–400 kcmil	1MHCB800R ②	3MHCB800R ②
900	NGS	Bottom/top	65	(4) 4/0–500 kcmil ③	1MCB900R ④	3MCB900R ④
900	NGH	Bottom/top	100	(4) 4/0–500 kcmil ③	1MHCB900R ④	3MHCB900R ④
1000	NGS	Bottom/top	65	(4) 4/0–500 kcmil ③	1MCB1000R ②④	3MCB1000R ②④
1000	NGS	Bottom/top	65	(3) 500–750 kcmil	1MCB1000R750	3MCB1000R750
1000	NGH	Bottom/top	100	(4) 4/0–500 kcmil ③	1MHCB1000R ②④	3MHCB1000R ②④
1200	NGS	Bottom/top	65	(4) 4/0–500 kcmil ③	1MCB1200R ②④	3MCB1200R ②④
1200	NGH	Bottom/top	100	(4) 4/0–500 kcmil ③	1MHCB1200R ②④	3MHCB1200R ②④
1200	NGS	Bottom/top	65	(3) 500–750 kcmil	Use three-phase	3MCB1200R750

Notes

- ① If additional neutral lugs are needed, order **1MCB1200NLK** [(3) 1/0–750 kcmil or (6) 1/0–300 kcmil].
- ② Add CL to end of catalog number for compression lug pads (includes lug pads for lines and neutral).
- ③ If (3) 500–750 kcmil are needed, order **TA1201NB1**. Order one kit per pole.
- ④ Main devices with a rating greater than 800 A can be used with 800 A residential modular stacks, but only as a center fed main.

Copper Bus—Premium Offering

Main Circuit Breaker

Main Circuit Breaker



Main Ampere Rating	Main Circuit Breaker Type	Feed	kAIC	Line Side Lug and Wire Sizes (Lugs Included with Main Breaker) ①	System Voltage 120/240 Vac Single-Phase, Three-Wire Catalog Number	120/208 Vac Three-Phase, Four-Wire Catalog Number
Copper Bus (Premium Offering)						
400	KD	Bottom/top	65	(2) 3/0–250 kcmil or (1) 2/0-500 kcmil	1MCB400RC ②	3MCB400RC ②
400	HKD	Bottom/top	100	2/0–500 kcmil	1MHCB400RC ②	3MHCB400RC ②
600	LD	Bottom/top	65	(2) 300–500 kcmil	1MCB600RC ②	3MCB600RC ②
600	HLD	Bottom/top	100	(2) 300–500 kcmil	1MHCB600RC ②	3MHCB600RC ②
800	MDL	Bottom/top	65	(3) 3/0–400 kcmil	1MCB800RC ②	3MCB800RC ②
800	HMDL	Bottom/top	100	(3) 3/0–400 kcmil	1MHCB800RC ②	3MHCB800RC ②
900	NGS	Bottom/top	65	(4) 4/0–500 kcmil ③	1MCB900RC ④	3MCB900RC ④
900	NGH	Bottom/top	100	(4) 4/0–500 kcmil ③	1MHCB900RC ④	3MHCB900RC ④
1000	NGS	Bottom/top	65	(3) 500–750 kcmil	1MCB1000R750C	3MCB1000R750C
1000	NGS	Bottom/top	65	(4) 4/0–500 kcmil ③	1MCB1000RC ②④	3MCB1000RC ②④
1000	NGH	Bottom/top	100	(4) 4/0–500 kcmil ③	1MHCB1000RC ②④	3MHCB1000RC ②④
1200	NGS	Bottom	65	(3) 500–750 kcmil	Use three-phase	3MCB1200R750C
1200	NGS	Bottom	65	(4) 4/0–500 kcmil ③	1MCB1200RC ②④	3MCB1200RC ②④
1200	NGH	Bottom	100	(4) 4/0–500 kcmil ③	1MHCB1200RC ②④	3MHCB1200RC ②④
1400	RGH	Bottom	100	(4) 500–1000 kcmil ⑤	1MCB1400RBC ④	3MCB1400RBC ④
1400	RGH	Top	100	(4) 500–1000 kcmil ⑤	1MCB1400RT ⑥	3MCB1400RT ⑥
1400	RGH	Bottom	100	(6) #2–600 kcmil	1MCB1400RBC-600 ④	3MCB1400RBC-600 ④
1400	RGH	Top	100	(6) #2–600 kcmil	1MCB1400RT-600 ④	3MCB1400RT-600 ④
1600	RGH	Bottom	100	(4) 500–1000 kcmil ⑤	1MCB1600RBC ⑦	3MCB1600RBC ⑦
1600	RGH	Top	100	(4) 500–1000 kcmil ⑤	1MCB1600RT ⑦	3MCB1600RT ⑦
1600	RGH	Bottom	100	(6) #2–600 kcmil	1MCB1600RBC-600 ④	3MCB1600RBC-600 ④
1600	RGH	Top	100	(6) #2–600 kcmil	1MCB1600RT-600 ④	3MCB1600RT-600 ④
2000	RGH	Bottom	100	(6) #2–600 kcmil	1MCB2000RBC ⑦	3MCB2000RBC ⑦
2000	RGH	Top	100	(6) #2–600 kcmil	1MCB2000RT ⑦	3MCB2000RT ⑦

Notes

- ① If additional neutral lugs are needed, order **1MCB1200NLK** [(3) 1/0–750 kcmil or (6) 1/0–300 kcmil].
- ② Add CL to end of catalog number for compression lug pads (includes lug pads for lines and neutral).
- ③ If (3) 500–750 kcmil are needed, order **TA1201NB1**. Order one kit per pole.
- ④ Main devices with a rating greater than 800 A can be used with 800 A residential modular stacks but only as a center fed main.
- ⑤ If (6) #2–600 kcmil lugs are needed, order **TA2000RD**. Catalog number includes terminals and hardware for three poles. If neutral is needed, order **TA2000N**.
- ⑥ Main devices with a rating greater than 1200 A can be used with residential and commercial modular metering stacks but only as a center fed main.
- ⑦ Only to be used in center feed applications with 1200 A meter stacks. Not to be used with 800 A stacks.

Aluminum Bus—EUSERC

Main Circuit Breaker

Main Circuit Breaker, EUSERC



Main Ampere Rating	Main Circuit Breaker Type	Feed	KAIC	Line Side Lug and Wire Sizes (Lugs Included with Main Breaker) ①	System Voltage	
					120/240 Vac Single-Phase, Three-Wire Catalog Number	120/208 Vac Three-Phase, Four-Wire Catalog Number
Aluminum Bus (EUSERC) ②						
300	KD	Bottom	65	Crimp lug landing pads (no lugs included)	1MCBE300R	3MCBE300R
350	KD	Bottom	65	Crimp lug landing pads (no lugs included)	1MCBE350R	3MCBE350R
400	KD	Bottom	65	Crimp lug landing pads (no lugs included)	1MCBE400R	3MCBE400R
400	HKD	Bottom	100	Crimp lug landing pads (no lugs included)	1MHCBE400R	3MHCBE400R
500	LD	Bottom	65	Crimp lug landing pads (no lugs included)	1MCBE500R	3MCBE500R
600	LD	Bottom	65	Crimp lug landing pads (no lugs included)	1MCBE600R	3MCBE600R
600	HLD	Bottom	100	Crimp lug landing pads (no lugs included)	1MHCBE600R	3MHCBE600R
800	MDL	Bottom	65	Crimp lug landing pads (no lugs included)	1MCBE800R	3MCBE800R
800	HMDL	Bottom	100	Crimp lug landing pads (no lugs included)	1MHCBE800R	3MHCBE800R
1000	NGS	Bottom	65	Crimp lug landing pads (no lugs included)	1MCBE1000R	3MCBE1000R
1200	NGS	Bottom	65	Crimp lug landing pads (no lugs included)	1MCBE1200R	3MCBE1200R
1200	NGH	Bottom	100	Crimp lug landing pads (no lugs included)	1MHCBE1200R	3MHCBE1200R

Copper Bus—EUSERC

Main Circuit Breaker

Main Circuit Breaker



Main Ampere Rating	Main Circuit Breaker Type	Feed	KAIC	Line Side Lug and Wire Sizes (Lugs Included with Main Breaker) ①	System Voltage	
					120/240 Vac Single-Phase, Three-Wire Catalog Number	120/208 Vac Three-Phase, Four-Wire Catalog Number
Copper Bus (EUSERC) ②						
1000	NGS	Bottom	65	Crimp lug landing pads (no lugs included)	1MCBE1000RC	3MCBE1000RC
1200	NGS	Bottom	65	Crimp lug landing pads (no lugs included)	1MCBE1200RC	3MCBE1200RC
1200	NGH	Bottom	100	Crimp lug landing pads (no lugs included)	1MHCBE1200RC	3MHCBE1200RC

Notes

- ① If additional neutral lugs are needed, order **1MCB1200NLK** [(3) 1/0–750 kcmil or (6) 1/0–300 kcmil].
- ② Main devices with a rating greater than 1200 A can be used with residential and commercial modular metering stacks but only as a center fed main.

Arcflash Reduction Maintenance System™ for group metering mains

Eaton’s Arcflash Reduction Maintenance System (ARMS) for group metering main breakers enhances worker safety in multi-tenant residential and light commercial applications by reducing the arc flash potential while performing maintenance. With a reduction in arc flash hazard risk, workers can operate with improved mobility without sacrificing safety. ARMS provides accelerated instantaneous trip, reducing potential arc flash. 310+ trip unit provides the fastest clearing times in the industry, with less arc energy.

Services

Eaton can offer a higher degree of application knowledge and technical support, along with reduced complexity. To further support utility teams, Eaton offers comprehensive, tailored training, offered both virtually and onsite.

Training

- Intro to Eaton
Learn more about our company and our history of innovation
- Meter Products Overview
Comprehensive overview of Eaton’s metering product line, available configurations and features
- Technical Metering
A deeper dive into complex metering issues, such as phase balancing or the Arcflash Reduction Maintenance System
- Codes and Standards
Discussion of increasingly complex federal and state regulations to decrease burdens on utility staff, and reduce operations at risk

Support

With a strong presence and local sales offices throughout the U.S., Eaton’s national footprint and extensive utility presence allows us to connect with your business—wherever it operates—offering local engineering, project management and service providers for immediate support to improve uptime, increase safety and reduce costs. Eaton’s team includes utility application-specific experts with a track record of solving unique problems and managing complex, integrated solutions and turnkey projects.

Main Circuit Breaker



Main Circuit Breaker with Arcflash Reduction Maintenance Switch

Main Ampere Rating	Main Circuit Breaker Type	Feed	kAIC	Line Side Lug and Wire Sizes (Lugs Included with Main Breaker)	System Voltage 120/240 Vac	System Voltage 120/208 Vac
					Single-Phase, Three-Wire	Three-Phase, Four-Wire
					Catalog Number	Catalog Number
Aluminum Bus (Standard Offering)						
900	NGS	Top	65	(4) 4/0–500 kcmil	1MCB900RA	3MCB900RA
1000	NGS	Bottom/top	65	(4) 4/0–500 kcmil	1MCB1000RA	3MCB1000RA
1000	NGS	Bottom/top	65	(3) 500–750 kcmil	1MCB1000RA750	3MCB1000RA750
1000	NGS	Bottom	65	Crimp lug landing pads (no lugs included)	1MCBE1000RA	3MCBE1000RA
1000	NGH	Bottom/top	100	(4) 4/0–500 kcmil	1MHCB1000RA	3MHCB1000RA
1200	NGS	Bottom/top	65	(4) 4/0–500 kcmil	1MCB1200RA	3MCB1200RA
1200	NGS	Bottom	65	Crimp lug landing pads (no lugs included)	1MCBE1200RA	3MCBE1200RA
1200	NGH	Bottom/top	100	(4) 4/0–500 kcmil	1MHCB1200RA	3MHCB1200RA
1200	NGH	Bottom	100	Crimp lug landing pads (no lugs included)	1MHCE1200RA	3MHCE1200RA
1400	RGH	Top	100	(4) #500–1000 kcmil	1MCB1400RTA	3MCB1400RTA
1600	RGH	Top	100	(6) #2–600 kcmil	1MCB1600RTA600	3MCB1600RTA600
1600	RGH	Top	100	(4) #500–1000 kcmil	—	3MCB1600RTA
2000	RGH	Top	100	(6) #2–600 kcmil	1MCB2000RTA	3MCB2000RTA

Main Circuit Breaker with Arcflash Reduction Maintenance Switch

Main Ampere Rating	Main Circuit Breaker Type	Feed	kAIC	Line Side Lug and Wire Sizes (Lugs Included with Main Breaker) ①	System Voltage 120/240 Vac	System Voltage 120/208 Vac
					Single-Phase, Three-Wire	Three-Phase, Four-Wire
					Catalog Number	Catalog Number
Copper Bus (Premium Offering) ②						
1000	NGS	Bottom/top	65	(4) 4/0–500 kcmil	1MCB1000RCA	3MCB1000RCA
1000	NGS	Bottom	65	Compression lug pads	1MCB1000RCCLA	3MCB1000RCCLA
1000	NGH	Bottom	100	Compression lug pads	1MHCB1000RCCLA	3MHCB1000RCCLA
1000	NGH	Bottom/top	100	(4) 4/0–500 kcmil	—	3MCBE1000RCA
1000	NGH	Bottom	100	(4) 4/0–500 kcmil	—	3MHCB1000RCA
1200	NGS	Bottom/top	65	(2) 500–750 kcmil	1MCB1200RCA	3MCB1200RCA
1200	NGS	Bottom	65	Compression lug pads	1MCB1200RCCLA	3MCB1200RCCLA
1200	NGS	Bottom/top	65	(3) 500–750 kcmil	—	3MCB1200RA750C
1200	NGH	Bottom/top	100	(4) 4/0–500 kcmil	1MHCB1200RCA	3MHCB1200RCA
1200	NGH	Bottom	100	Compression lug pads	—	3MHCB1200RCCLA
1400	RGH	Bottom/top	100	(4) #500–1000 kcmil	1MCB1400RBCA	3MCB1400RBCA
1400	RGH	Bottom/top	100	(6) #2–600 kcmil	1MCB1400RBCA600	3MCB1400RBCA600
1400	RGH	Bottom	100	Compression lug pads	1MCB1400RUGCCLA	3MCB1400RUGCCLA
1600	RGH	Bottom/top	100	(4) #500–1000 kcmil	1MCB1600RBCA	3MCB1600RBCA
1600	RGH	Bottom/top	100	(6) #2–600 kcmil	1MCB1600RBCA600	3MCB1600RBCA600
1600	RGH	Bottom	100	Compression lug pads	1MCB1600RUGCCLA	3MCB1600RUGCCLA
2000	RGH	Bottom/top	100	(6) #2–600 kcmil	1MCB2000RBCA	3MCB2000RBCA
2000	RGH	Bottom	100	Compression lug pads	1MCB2000RUGCCLA	3MCB2000RUGCCLA

Main Circuit Breaker with Utility Pull Box

- These main circuit breakers are not suitable for EUSERC territories

Main Circuit Breaker with Utility Pull Box

Ampere Rating	Main Circuit Breaker Type	Feed	kAIC	Line Side Lug and Wire Sizes	System Voltage	
					120/240 Vac, Single-Phase, Three-Wire	120/208 Vac, Three-Phase, Four-Wire
Aluminum Bus (Standard Offering)						
1400	RGH	Bottom/Top	65	Crimp lug landing pads (lugs not included)	1MCB1400RUGCCL	3MCB1400RUGCCL
1600	RGH	Bottom/Top	65	Crimp lug landing pads (lugs not included)	1MCB1600RUGCCL	3MCB1600RUGCCL
2000	RGH	Bottom/Top	65	Crimp lug landing pads (lugs not included)	1MCB2000RUGCCL	3MCB2000RUGCCL
Copper Bus (Premium)						
1600	RGH	Bottom/Top	100	Crimp lug landing pads (lugs not included)	1MHCB1600RUGCCL	3MHCB1600RUGCCL
2000	RGH	Bottom/Top	100	Crimp lug landing pads (lugs not included)	1MHCB2000RUGCCL	3MHCB2000RUGCCL

Main Fusible Switch with Utility Pull Box

- Fuses not included
- Includes lug landing pads on line side and neutral
- Complies with EUSERC requirements as long as spacer kit 3MMBSK is used
- 100 kAIC rating on switches with Class T fuse clips installed

Main Fusible Switch with Utility Pull Box ①

Main Fusible Switch with Utility Pull Box



Ampere Rating	Feed	Class Fuse Clips (Fuses Not Included)	Line Side Box Lugs and Wire Sizes (Included with Switch)	System Voltage	
				120/240 Vac Single-Phase, Three-Wire Catalog Number	120/208 Vac Three-Phase, Four-Wire Catalog Number
Aluminum Bus (Standard Offering)					
400	Bottom	T	②	1MFS400RUG	3MFS400RUG
600	Bottom	T	②	1MFS600RUG	3MFS600RUG
800	Bottom	T, L	②	1MFS800RUG	3MFS800RUG
1200	Bottom	T	②	1MFS1200RUG	3MFS1200RUG
Copper Bus (Premium Offering)					
400	Bottom	T	②	1MFS400RUGC	3MFS400RUGC
600	Bottom	T	②	1MFS600RUGC	3MFS600RUGC
800	Bottom	T, L	②	1MFS800RUGC	3MFS800RUGC
1200	Bottom	T	②	1MFS1200RUGC	3MFS1200RUGC

Notes

- ① Reference drawing EUSERC DWG-315.
- ② Pull box section includes landing studs for line side compression lugs. Wire sizes refer to load side connection.
- ③ Reference drawing EUSERC DWG-343.

Main Fusible Switches

- Fuses not included
- Main lugs and neutral included with device
- 100 kAIC rating on switches with Class T fuses installed. If converting to Class H, the kAIC rating is 10 and if converted to Class R, the kAIC rating is 200
- 800 A top and bottom fed units are supplied with Class T fuse clips as standard. The Class T fuse clips are field convertible to Class L by repositioning. No kit is needed
- Barrier kits available for 400–800 A fusible switches:
Bottom feed—**3MFSBBK**,
Top feed—**3MFSBTK**

Note: This is the fuse rating, switch still rated at 100 kAIC.

Main Fusible Switches

Main Fusible Switches



Ampere Rating	Feed	Class Fuse Clips (Fuses Not Included)	Line Side Box Lugs and Wire Sizes (Included with Switch)	System Voltage 120/240 Vac Single-Phase, Three-Wire Catalog Number	120/208 Vac Three-Phase, Four-Wire Catalog Number
Aluminum Bus (Standard Offering)					
400	Bottom	T ①	(2) 1/0–300 kcmil or (1) 750 kcmil ④⑤	1MFS400RB	3MFS400RB
400	Top	T ①	(2) 1/0–300 kcmil or (1) 750 kcmil ④⑥	1MFS400RT	3MFS400RT
600	Bottom	T ②	(2) #2–600 kcmil ④⑤	1MFS600RB	3MFS600RB
600	Top	T ②	(2) #2–600 kcmil ④⑥	1MFS600RT	3MFS600RT
800	Bottom	T, L ③	(4) 3/0–750 kcmil ④	1MFS800RB	3MFS800RB
800	Top	T, L ③	(4) 3/0–750 kcmil ④	1MFS800RT	3MFS800RT
1200	Bottom	T, L ③	(4) #2–600 kcmil ⑦	1MFS1200RB	3MFS1200RB
Copper Bus (Premium Offering)					
400	Bottom	T ①	(2) 1/0–300 kcmil or (1) 750 kcmil ④⑤	1MFS400RBC	3MFS400RBC
400	Top	T ①	(2) 1/0–300 kcmil or (1) 750 kcmil ④⑥	1MFS400RTC	3MFS400RTC
600	Bottom	T ②	(2) #2–600 kcmil ④⑤	1MFS600RBC	3MFS600RBC
600	Top	T ②	(2) #2–600 kcmil ④⑥	1MFS600RTC	3MFS600RTC
800	Bottom	T, L ③	(4) 3/0–750 kcmil ④	1MFS800RBC	3MFS800RBC
800	Top	T, L ③	(4) 3/0–750 kcmil ④	1MFS800RTC	3MFS800RTC
1200	Bottom	T, L ③	(4) #2–600 kcmil ⑦	1MFS1200RBC	3MFS1200RBC

Notes

- ① If Class H fuse clips are needed, use catalog number **WCG3HK400** (order 1) per phase.
If Class R fuse clips are needed, order catalog number **DS56FK** in addition to **WCG3HK400**.
In order to go from T to R, the device must first be converted to H.
All kits are field installable and each **DS56FK** kit will convert three poles.
- ② If Class H fuse clips are needed, use catalog number **WCG3HK600** (order 1) per phase.
If Class R fuse clips are needed, order catalog number **DS66FK** in addition to **WCG3HK600**.
In order to go from T to R, the device must first be converted to H.
All kits are field installable and each **DS66FK** kit will convert three poles.
- ③ Class T fuse clips provided are field convertible to Class L by repositioning. No kit is needed.
- ④ If compression lugs are being used, order **3MFS800CLK**. This compression lug kit includes four pads (three poles and neutral).
- ⑤ 1MFS600BLK (4) 3/0–750 kcmil/phase (one kit/phase and one kit/neutral).
- ⑥ If compression lugs are being used, order **3MFS800CLKT**. This compression lug kit includes four pads (three poles and neutral).
- ⑦ IMFS1200LK (3) 750 kcmil/phase (one kit/phase). IMFS1200LKN (3) 750 kcmil (neutral).

Utility Pull Box

- Includes lug landing pads on line side and neutral
- Requires cable connection in field to main device; does not include horizontal cross bus

Utility Pull Box ①

Ampere Rating	Feed	Line Side Lug Information	Load Side Lug Information for Cable Connection to Main Disconnect	System Voltage	
				120/240 Vac Single-Phase, Three-Wire Catalog Number	120/208 Vac Three-Phase, Four-Wire Catalog Number
Aluminum Bus (Standard Offering)					
400	Bottom	Crimp lug landing pads (no lugs included)	1/0–750 kcmil or (2) 1/0–300 kcmil	1UGPB400R	3UGPB400R
800	Bottom	Crimp lug landing pads (no lugs included)	(2) 1/0–750 kcmil or (4) 1/0–300 kcmil	1UGPB800R	3UGPB800R
1200	Bottom	Crimp lug landing pads (no lugs included)	(4) #2–600 kcmil	1UGPB1200R	3UGPB1200R
Copper Bus (Premium Offering)					
400	Bottom	Crimp lug landing pads (no lugs included)	1/0–750 kcmil or (2) 1/0–300 kcmil	1UGPB400RC	3UGPB400RC
800	Bottom	Crimp lug landing pads (no lugs included)	(2) 1/0–750 kcmil or (4) 1/0–300 kcmil	1UGPB800RC	3UGPB800RC
1200	Bottom	Crimp lug landing pads (no lugs included)	(4) #2–600 kcmil	1UGPB1200RC	3UGPB1200RC

Main Bolted Pressure Contact Switches

- Add suffix ST to catalog number for shunt trip
- Fuses not included
- 100 kAIC rating on switches with Class L fuses installed

Main Bolted Pressure Contact Switches

Rating	Feed	Class Fuse Clips	Single-Phase, Three-Wire Catalog Number	Three-Phase, Four-Wire Catalog Number	Line Side Lugs and Wire Sizes Minimum or Maximum Wire Size ②
Copper Bus					
1200	Bottom	L	1BPS1200RB	3BPS1200RB	(4) 1/0–750 kcmil or (8) 1/0–300 kcmil
1200	Top	L	1BPS1200RT	3BPS1200RT	(4) 1/0–750 kcmil or (8) 1/0–300 kcmil
1600	Bottom	L	Use three-phase	3BPS1600RB	(6) 1/0–750 kcmil or (12) 1/0–300 kcmil
1600	Top	L	Use three-phase	3BPS1600RT	(6) 1/0–750 kcmil or (12) 1/0–300 kcmil
2000	Bottom	L	Use three-phase	3BPS2000RB	(8) 1/0–750 kcmil or (16) 1/0–300 kcmil
2000	Top	L	Use three-phase	3BPS2000RT	(8) 1/0–750 kcmil or (16) 1/0–300 kcmil
Ground lug			—	—	(5) #6–250 kcmil

Notes

- ① Pull box section includes landing studs for line side compression lugs. Wire sizes refer to load side connection.
- ② Lugs included.

4.3

Metering Products

Group Metering

Main Fusible Switch with Busway Connection

Verify proper left/right–bus/main phasing.

Note: “Right” means that the bus duct is to the right of the main and “left” means that the bus duct is to the left of the main. (See Dimension/Layout section for clarification.)

Using this information, select the correct main device catalog number per the selection chart.

4 Main Fusible Switch with Busway Connection (3MFS...)

Ampere Rating	Internal Ground or Housing Ground	Standard T or TO Opposite Phasing	Right or Left Side	System Voltage 120/208 Vac Three-Phase, Four-Wire Catalog Number
400	Internal	TO	Right	3MFS400BCRGTO
600	Internal	TO	Right	3MFS600BCRGTO
800	Internal	TO	Right	3MFS800BCRGTO
400	Internal	TO	Left	3MFS400BCLGTO
600	Internal	TO	Left	3MFS600BCLGTO
800	Internal	TO	Left	3MFS800BCLGTO
400	Internal	T	Right	3MFS400BCRGT
600	Internal	T	Right	3MFS600BCRGT
800	Internal	T	Right	3MFS800BCRGT
400	Internal	T	Left	3MFS400BCLGT
600	Internal	T	Left	3MFS600BCLGT
800	Internal	T	Left	3MFS800BCLGT
400	Housing	TO	Right	3MFS400BCRNTO
600	Housing	TO	Right	3MFS600BCRNTO
800	Housing	TO	Right	3MFS800BCRNTO
400	Housing	TO	Left	3MFS400BCLNTO
600	Housing	TO	Left	3MFS600BCLNTO
800	Housing	TO	Left	3MFS800BCLNTO
400	Housing	T	Right	3MFS400BCRNT
600	Housing	T	Right	3MFS600BCRNT
800	Housing	T	Right	3MFS800BCRNT
400	Housing	T	Left	3MFS400BCLNT
600	Housing	T	Left	3MFS600BCLNT
800	Housing	T	Left	3MFS800BCLNT

Main Fusible Switch with Busway Connection (3MCB... and 3HMCB...)

Ampere Rating	Internal Ground or Housing Ground	Standard T or TO Opposite Phasing	Right or Left Side	System Voltage 120/208 Vac Three-Phase, Four-Wire Catalog Number
400	Internal	T	Right	3MCB400BCRGT
400	Internal	T	Right	3HMCB400BCRGT
600	Internal	T	Right	3MCB600BCRGT
600	Internal	T	Right	3HMCB600BCRGT
800	Internal	T	Right	3MCB800BCRGT
800	Internal	T	Right	3HMCB800BCRGT
1000	Internal	T	Right	3MCB1000BCRGT
1000	Internal	T	Right	3HMCB1000BCRGT
1200	Internal	T	Right	3MCB1200BCRGT
1200	Internal	T	Right	3HMCB1200BCRGT
400	Internal	T	Left	3MCB400BCLGT
400	Internal	T	Left	3HMCB400BCLGT
600	Internal	T	Left	3MCB600BCLGT
600	Internal	T	Left	3HMCB600BCLGT
800	Internal	T	Left	3MCB800BCLGT
800	Internal	T	Left	3HMCB800BCLGT
1000	Internal	T	Left	3MCB1000BCLGT
1000	Internal	T	Left	3HMCB1000BCLGT
1200	Internal	T	Left	3MCB1200BCLGT
1200	Internal	T	Left	3HMCB1200BCLGT
400	Housing	T	Right	3MCB400BCRNT
400	Housing	T	Right	3HMCB400BCRNT
600	Housing	T	Right	3MCB600BCRNT
600	Housing	T	Right	3HMCB600BCRNT
800	Housing	T	Right	3MCB800BCRNT
800	Housing	T	Right	3HMCB800BCRNT
1000	Housing	T	Right	3MCB1000BCRNT
1000	Housing	T	Right	3HMCB1000BCRNT
1200	Housing	T	Right	3MCB1200BCRNT
1200	Housing	T	Right	3HMCB1200BCRNT
400	Housing	T	Left	3MCB400BCLNT
400	Housing	T	Left	3HMCB400BCLNT
600	Housing	T	Left	3MCB600BCLNT
600	Housing	T	Left	3HMCB600BCLNT
800	Housing	T	Left	3MCB800BCLNT
800	Housing	T	Left	3HMCB800BCLNT
1000	Housing	T	Left	3MCB1000BCLNT
1000	Housing	T	Left	3HMCB1000BCLNT
1200	Housing	T	Left	3MCB1200BCLNT
1200	Housing	T	Left	3HMCB1200BCLNT
400	Internal	TO	Right	3MCB400BCRGTO
400	Internal	TO	Right	3HMCB400BCRGTO
600	Internal	TO	Right	3MCB600BCRGTO
600	Internal	TO	Right	3HMCB600BCRGTO
800	Internal	TO	Right	3MCB800BCRGTO
800	Internal	TO	Right	3HMCB800BCRGTO

Main Fusible Switch with Busway Connection (3MCB... and 3HMCB...), continued

Ampere Rating	Internal Ground or Housing Ground	Standard T or TO Opposite Phasing	Right or Left Side	System Voltage 120/208 Vac Three-Phase, Four-Wire Catalog Number
1000	Internal	TO	Right	3MCB1000BCRGTO
1000	Internal	TO	Right	3HMCB1000BCRGTO
1200	Internal	TO	Right	3MCB1200BCRGTO
1200	Internal	TO	Right	3HMCB1200BCRGTO
400	Internal	TO	Left	3MCB400BCLGTO
400	Internal	TO	Left	3HMCB400BCLGTO
600	Internal	TO	Left	3MCB600BCLGTO
600	Internal	TO	Left	3HMCB600BCLGTO
800	Internal	TO	Left	3MCB800BCLGTO
800	Internal	TO	Left	3HMCB800BCLGTO
1000	Internal	TO	Left	3MCB1000BCLGTO
1000	Internal	TO	Left	3HMCB1000BCLGTO
1200	Internal	TO	Left	3MCB1200BCLGTO
1200	Internal	TO	Left	3HMCB1200BCLGTO
400	Housing	TO	Right	3MCB400BCRNTO
400	Housing	TO	Right	3HMCB400BCRNTO
600	Housing	TO	Right	3MCB600BCRNTO
600	Housing	TO	Right	3HMCB600BCRNTO
800	Housing	TO	Right	3MCB800BCRNTO
800	Housing	TO	Right	3HMCB800BCRNTO
1000	Housing	TO	Right	3MCB1000BCRNTO
1000	Housing	TO	Right	3HMCB1000BCRNTO
1200	Housing	TO	Right	3MCB1200BCRNTO
1200	Housing	TO	Right	3HMCB1200BCRNTO
400	Housing	TO	Left	3MCB400BCLNTO
400	Housing	TO	Left	3HMCB400BCLNTO
600	Housing	TO	Left	3MCB600BCLNTO
600	Housing	TO	Left	3HMCB600BCLNTO
800	Housing	TO	Left	3HMCB800BCLNTO
800	Housing	TO	Left	3HMCB800BCLNTO
1000	Housing	TO	Left	3MCB1000BCLNTO
1000	Housing	TO	Left	3HMCB1000BCLNTO
1200	Housing	TO	Left	3MCB1200BCLNTO
1200	Housing	TO	Left	3HMCB1200BCLNTO

Dimensions

Approximate Dimensions in Inches (mm)

Dimensions (Not to be Used for Construction Purposes)

Main Device	Width A	Height B	Depth C	Mounting D	E	Center Line of Wall Mounting Bracket F	Knockouts in Bottom Endwalls and Top Feed Switch or Bolted Pressure Switch Conduit Diameter		KO Dwg
							Inches	mm	
Terminal Box									
400 and 600 A	13.50 (342.9)	48.75 (1238.3)	7.00 (177.8)	—	54.00 (1371.6)	30.63 (777.9)	(1) 2.50, 3.00, 3.50, 4.00 (1) 0.50	(1) 63.5, 76.2, 88.9, 101.6 (1) 12.7	1
800 and 1200 A	20.00 (508.0)	47.63 (1209.8)	11.75 (298.5)	12.00 (304.8)	51.50 (1308.1)	30.63 (777.9)	(2) 0.50, 0.75, 1.00	(2) 12.1, 19.1, 25.4	8
1600 A	32.88 (835.2)	60.13 (1527.3)	11.44 (290.6)	16.00 (406.4)	64.13 (1628.9)	38.59 (980.2)	(1) 0.75, 1.00, 1.25, 1.50 (5) 3.00, 3.50, 4.00, 5.00	(1) 19.1, 25.4, 31.8, 38.1 (5) 76.2, 88.9, 101.6, 127.0	3
Main Circuit Breaker with Box Lugs									
400–1200 A	20.00 (508.0)	47.63 (1209.8)	11.75 (298.5)	12.00 (304.8)	51.50 (1308.1)	30.63 (777.9)	(2) 0.50, 0.75, 1.00	(2) 12.7, 19.1, 25.4	8
1400–2000 A	24.88 (632.0)	57.13 (1451.0)	14.88 (378.0)	16.00 (406.4)	57.13 (1451.0)	44.00 (1117.6)	—	—	—
Main Circuit Breaker with Compression Lugs									
400–1200 A	20.00 (508.0)	61.00 (1549.4)	11.75 (298.5)	12.00 (304.8)	65.00 (1651.0)	44.00 (1117.6)	(2) 0.50, 0.75, 1.00	(2) 12.7, 19.1, 25.4	8
Main Fusible Switch									
Bottom feed 400–800 A	20.00 (508.0)	47.63 (1209.8)	11.75 (298.5)	12.00 (304.8)	51.50 (1308.1)	30.63 (777.9)	(2) 0.50, 0.75, 1.00	(2) 12.7, 19.1, 25.4	8
Top feed 400–800 A	20.00 (508.0)	47.63 (1209.8)	11.75 (298.5)	12.00 (304.8)	51.50 (1308.1)	18.13 (460.4)	(2) 0.50, 0.75, 1.00	(2) 12.7, 19.1, 25.4	8
1200 A	33.50 (850.9)	52.75 (1339.9)	11.88 (301.8)	16.00 (406.4)	56.25 (1428.8)	30.75 (781.1)	(5) 3.50, 4.00, 5.00 (1) 0.75, 1.00, 1.25, 1.50	(5) 88.9, 101.6, 127.0 (1) 19.1, 25.4, 31.8, 38.1	2
Bolted Pressure Switch									
	36.50 (927.1)	66.50 (1689.1)	19.50 (495.3)	28.00 (711.2)	60.00 (1524.0)	30.63 (777.9)	—	—	—
Main Fusible Switch with Pull Box									
400 A	20.00 (508.0)	61.00 (1549.4)	11.75 (298.5)	12.00 (304.8)	65.00 (1651.0)	44.00 (1117.6)	(2) 0.50, 0.75, 1.00 (4) 2.00, 2.50, 3.00, 3.50, 4.00	(2) 12.7, 19.1, 25.4 (4) 50.8, 63.5, 76.2, 88.9, 101.6	2
600 and 800 A (single-phase)	20.00 (508.0)	61.00 (1549.4)	11.75 (298.5)	12.00 (304.8)	65.00 (1651.0)	44.00 (1117.6)	(2) 0.50, 0.75, 1.00 (4) 2.00, 2.50, 3.00, 3.50, 4.00	(2) 12.7, 19.1, 25.4 (4) 50.8, 63.5, 76.2, 88.9, 101.6	2
600 and 800 A (three-phase)	25.06 (636.5)	61.00 (1549.4)	11.75 (298.5)	17.00 (431.8)	65.00 (1651.0)	44.00 (1117.6)	(2) 0.50, 0.75, 1.00 (4) 2.00, 2.50, 3.00, 3.50, 4.00	(2) 12.7, 19.1, 25.4 (4) 50.8, 63.5, 76.2, 88.9, 101.6	2
1200 A	33.50 (850.9)	61.50 (1562.1)	11.88 (301.8)	16.00 (406.4)	65.25 (1657.4)	48.00 (1219.2)	(5) 3.50, 4.00, 5.00 (1) 0.75, 1.00, 1.25, 1.50	(5) 88.9, 101.6, 127.0 (1) 19.1, 25.4, 31.8, 38.1	2
Main Circuit Breaker with Pull Box (EUSERC)									
400 A	20.01 (508.2)	60.44 (1535.2)	11.14 (283.0)	12.00 (304.8)	65.11 (1653.8)	39.75 (1009.6)	(4) 2.50, 3.00, 3.50, 4.00	(4) 63.5, 76.2, 88.9, 101.6	2
800 A	24.88 (632.0)	60.94 (1547.9)	11.14 (283.0)	17.00 (431.8)	64.88 (1648.0)	39.81 (1011.2)	(4) 2.50, 3.00, 3.50, 4.00	(4) 63.5, 76.2, 88.9, 101.6	2
1200 A	33.00 (838.2)	61.14 (1553.0)	11.32 (287.5)	16.00 (406.4)	65.25 (1657.4)	43.56 (1106.4)	(4) 2.50, 3.00, 3.50, 4.00	(4) 63.5, 76.2, 88.9, 101.6	2
Pull Box									
400 A	16.38 (416.1)	44.88 (1140.0)	7.88 (200.2)	8.00 (203.2)	45.75 (1162.1)	28.63 (727.2)	(2) 4.00	101.6	4
800 A	24.38 (619.3)	46.88 (1190.8)	11.88 (301.8)	12.00 (304.8)	47.75 (1212.9)	32.25 (819.2)	(3) 4.00	101.6	5
1200 A	32.50 (825.5)	56.88 (1444.8)	12.00 (304.8)	17.75 (450.9)	57.75 (1466.9)	42.25 (1073.2)	(4) 5.00	127.0	6
EUSERC Bussed Pull Section									
Single-phase 400 and 800 A	20.13 (511.3)	61.00 (1549.4)	11.25 (285.8)	12.00 (304.8)	64.88 (1648.0)	44.00 (1117.6)	(4) 2.50, 3.00, 3.50, 4.00	(4) 63.5, 76.2, 88.9, 101.6	4
Three-phase 400 and 800 A	25.13 (638.3)	61.00 (1549.4)	11.88 (301.8)	17.00 (431.8)	64.88 (1648.0)	44.00 (1117.6)	(4) 2.50, 3.00, 3.50, 4.00	(4) 63.5, 76.2, 88.9, 101.6	5
EUSERC Main Terminal Box									
Single-phase 400 and 800 A	20.13 (511.3)	61.00 (1549.4)	11.88 (301.8)	12.00 (304.8)	64.88 (1648.0)	44.00 (1117.6)	(2) 0.50, 0.75, 1.00	(2) 12.7, 19.1, 25.4	2
Three-phase 400 A	20.13 (511.3)	61.00 (1549.4)	11.88 (301.8)	12.00 (304.8)	64.88 (1648.0)	44.00 (1117.6)	(4) 2.00, 2.50, 3.00, 3.50, 4.00	(4) 50.8, 63.5, 76.2, 88.9, 101.6	2
Three-phase 800 A	25.13 (638.3)	61.00 (1549.4)	11.88 (301.8)	17.00 (431.8)	64.88 (1648.0)	44.00 (1117.6)	(4) 2.00, 2.50, 3.00, 3.50, 4.00	(4) 50.8, 63.5, 76.2, 88.9, 101.6	2

4.3

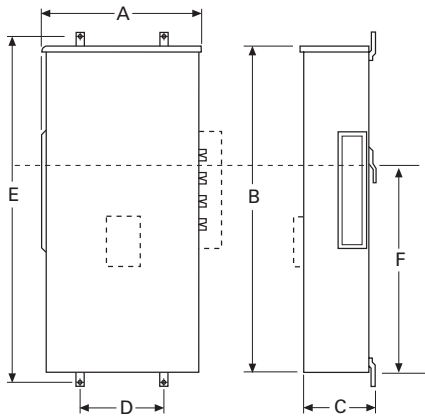
Metering Products

Group Metering

4

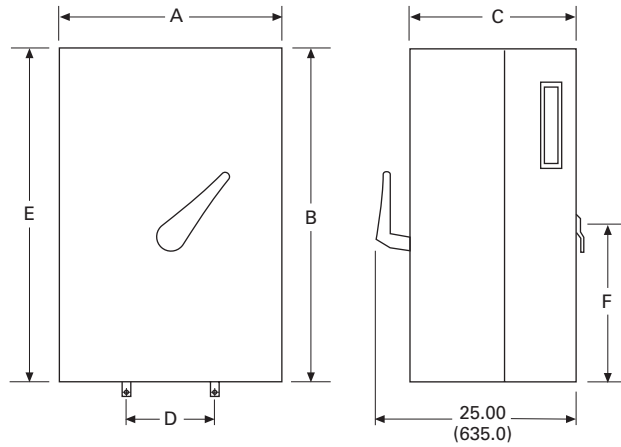
Approximate Dimensions in Inches (mm)

Main Circuit Breakers, Terminal Boxes and Pull Boxes

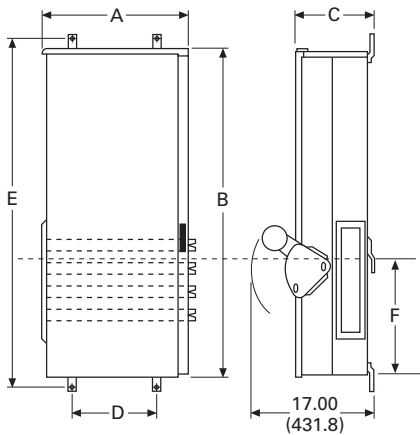


Main CB, Non-Euserc Terminal Box and Pullboxes

Bolted Pressure Switch

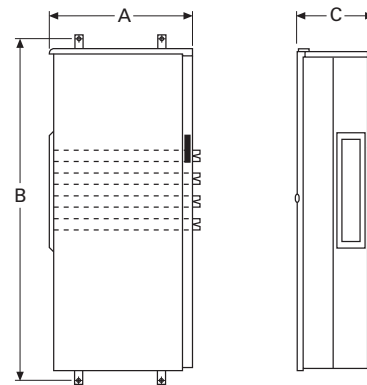


Top Feed Fusible Switch

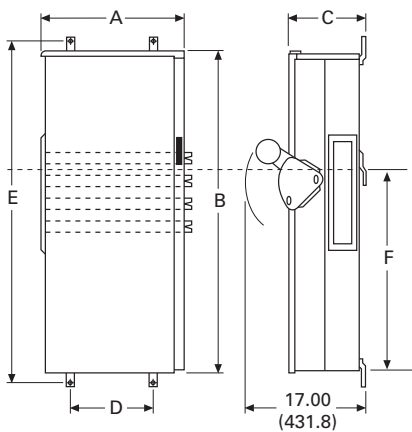


Top Feed Switch (No Knockouts)

EUSERC Main Terminal Box



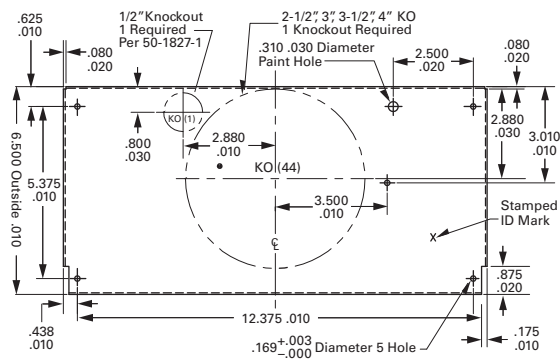
Bottom Feed Fusible Switch and Combination Fusible Switch with Pull Box



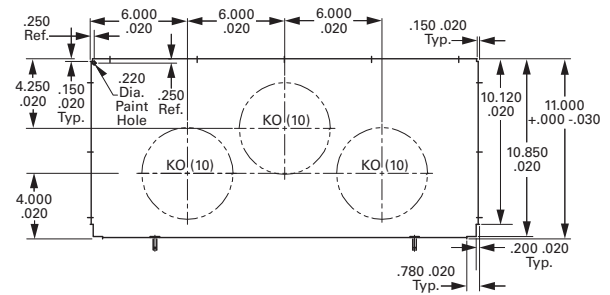
Bottom Feed Switch and Combination Switch/Pullbox

Approximate Dimensions in Inches (mm)

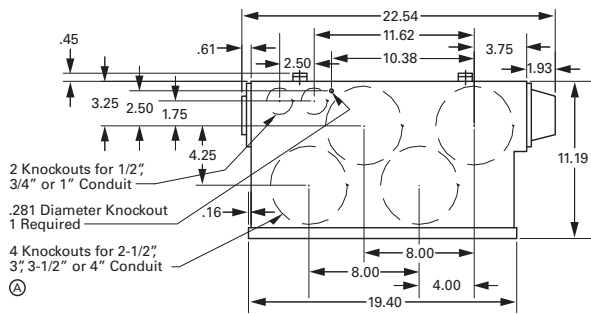
Knockout 1



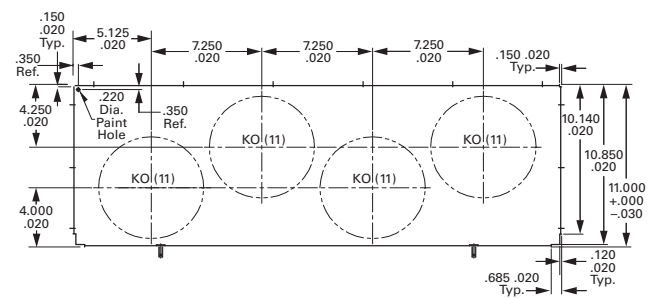
Knockout 5



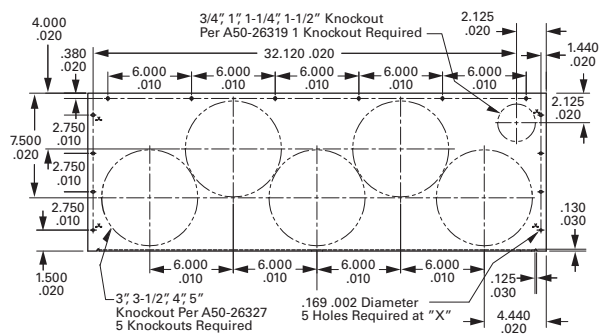
Knockout 2



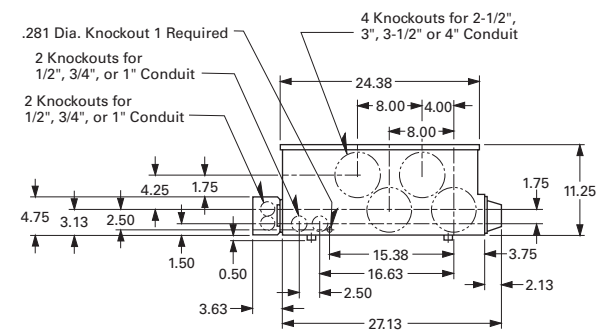
Knockout 6



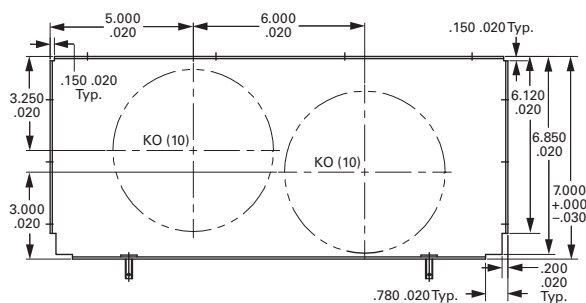
Knockout 3



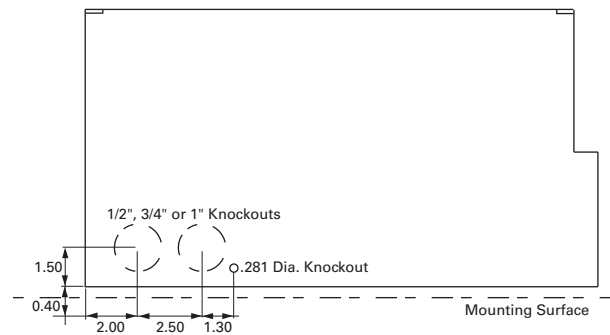
Knockout 7



Knockout 4



Knockout 8



4.3

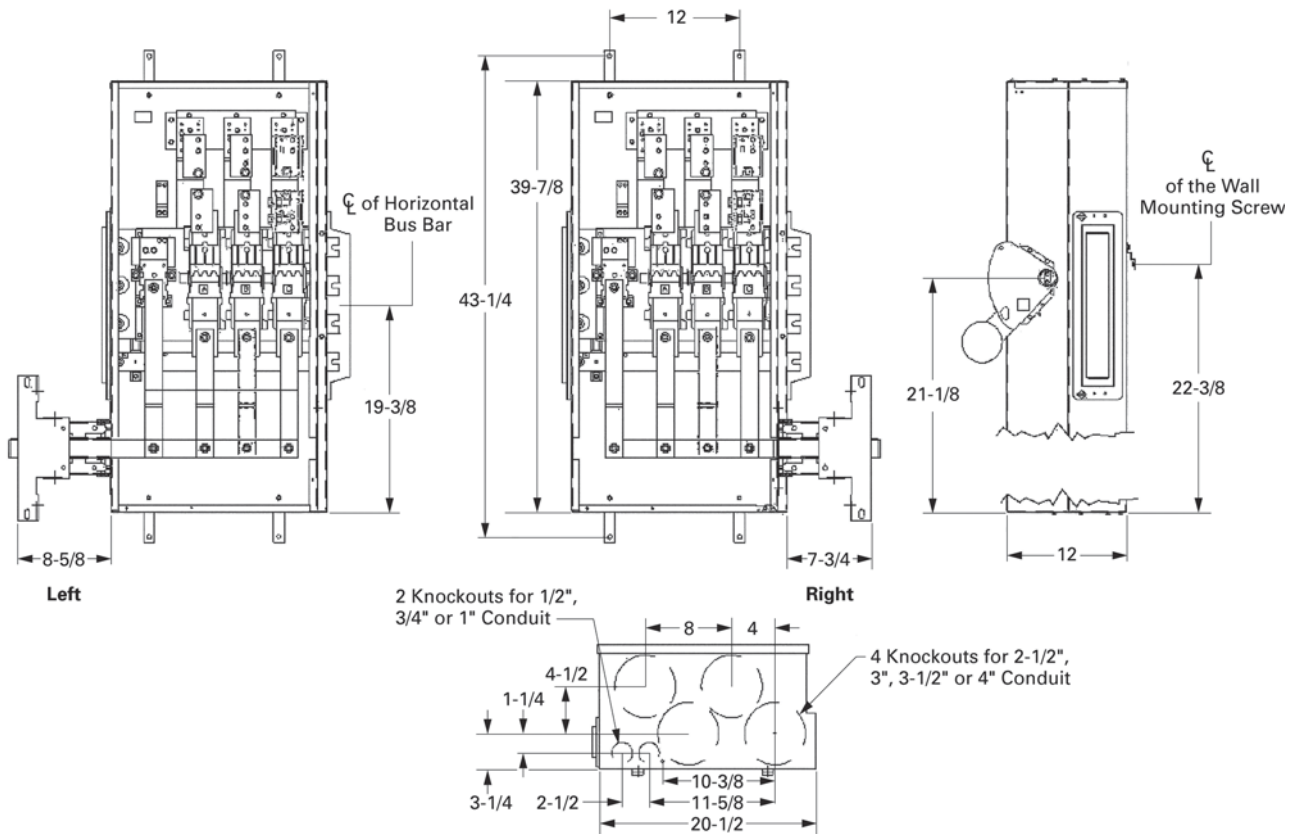
Metering Products

Group Metering

Approximate Dimensions in Inches (mm)

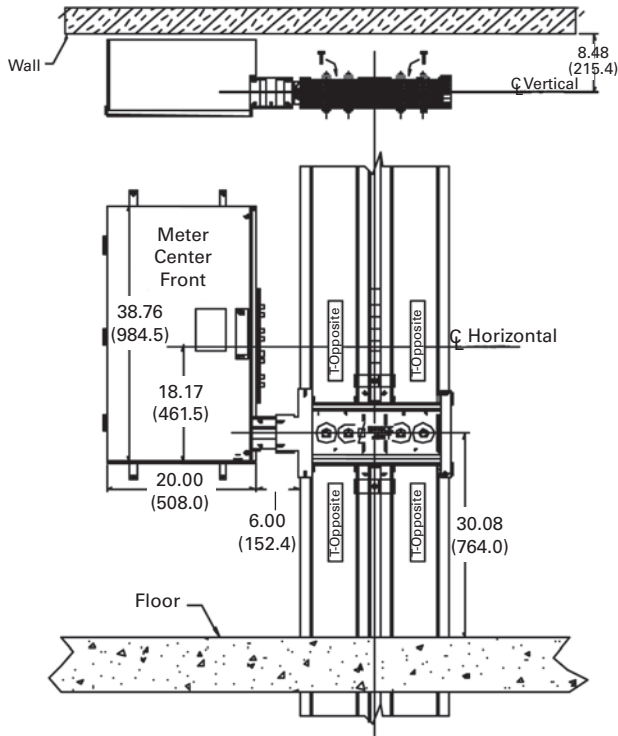
Layout—Main Fusible Switch

4

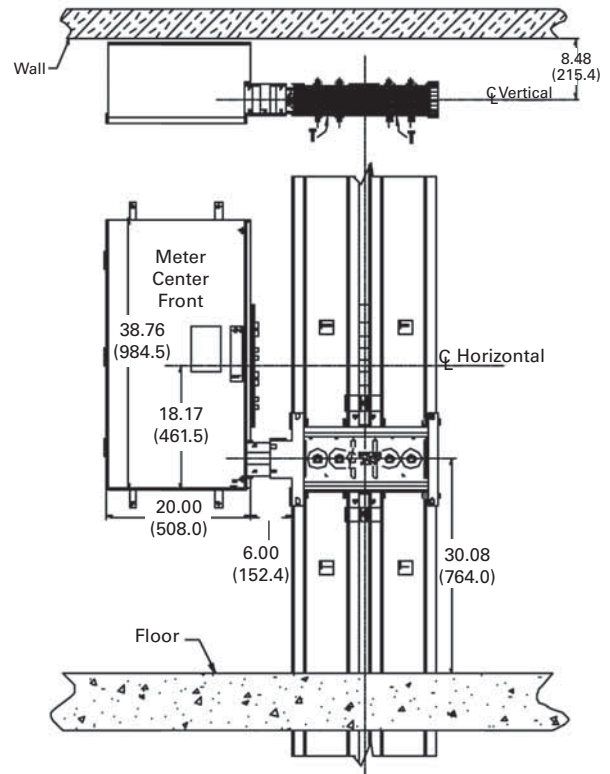


Approximate Dimensions in Inches (mm)

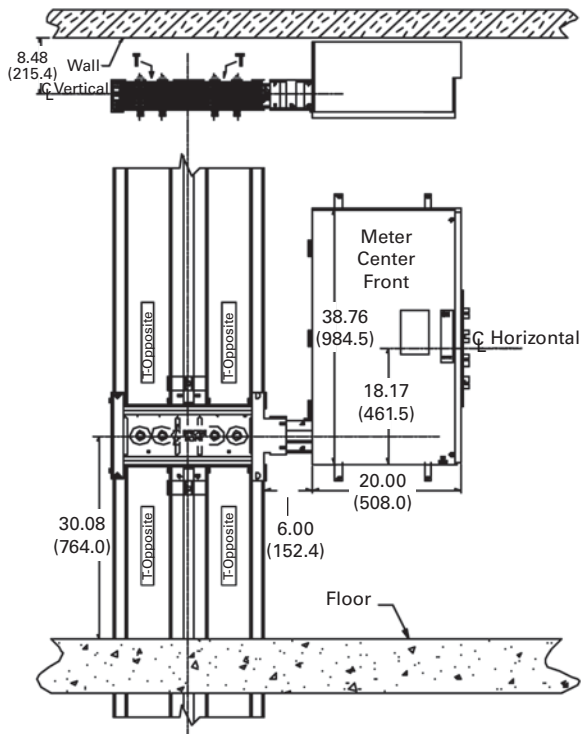
Main Circuit Breaker – “T-Opposite” Phasing Right



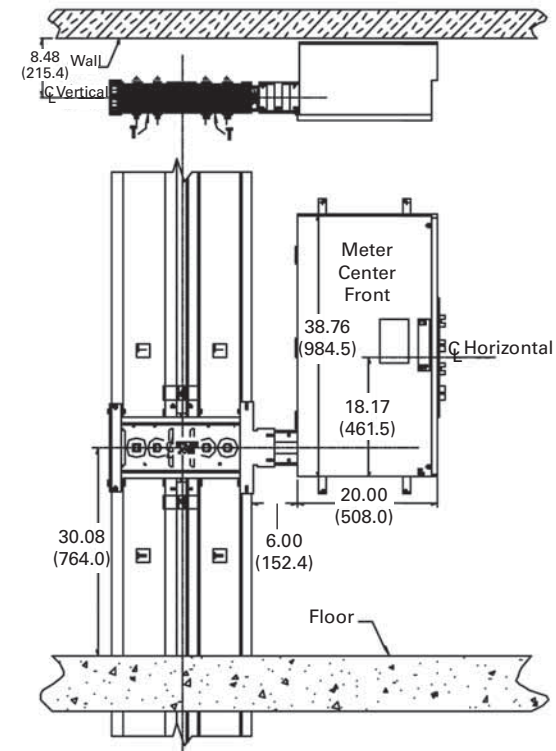
Main Circuit Breaker – “Standard T” Phasing Right



Main Circuit Breaker – “T-Opposite” Phasing Left



Main Circuit Breaker – “Standard T” Phasing Left



1MM and 3MM Metering Stack Modules



Contents

<i>Description</i>	<i>Page</i>
Systems for Residential and Commercial Applications	V1-T4-68
Meter Packs	V1-T4-76
Meter Packs—Tenant Circuit Breakers	V1-T4-88
Main Service Modules	V1-T4-89
Residential Meter Stacks	
Catalog Number Selection	V1-T4-109
Product Selection	V1-T4-110
Technical Data and Specifications	V1-T4-114
Dimensions	V1-T4-115
Commercial Meter Stack Modules	V1-T4-123
35MM, 37MM, 35SS and 37SS Tenant Main Circuit Breakers	V1-T4-130
Phase Balanced Stack	V1-T4-132
Group Metering Inline Current Transformer Cabinets	V1-T4-133
Surge Metering	V1-T4-134
Group Metering Accessories	V1-T4-135

Residential Meter Stacks—(1MP, 1MM and 3MM Tenant Main Circuit Breakers)

Features, Benefits and Functions

A. Barrier

Meter socket and tenant main breaker/wireway sections are separated by a solid metal barrier to guard unmetred bus against power theft.

B. Tenant Breaker

Reliable busbar-to-busbar connection. 200 A modules accept bolt-on breakers 60–200 A. 125 A modules accept 15–125 A plug-on breakers.

C. Moveable Phase Connector

Four-wire horizontal bus lets you use any 3MM module for single- or three-phase incoming service. Shipped with A and B phase connection, phase balancing is easily accomplished in the field by moving one, front-accessible phase connector post per module.

D. Neutral Assembly

A convenient termination for neutral conductors is in the wireway of each module.

E. Enclosed Horizontal Bus

Added security because a non-removable barrier encloses the 800 or 1200 A horizontal bus passing through tenant breaker section.

F. Equipment Ground Bar

Factory installed in side gutter, a standard feature that's moveable to the top or bottom gutter.

G. Raintight Cap

Shipped on each outdoor meter module and main device.

H. Knockouts

Tangential in bottom endwall.

I. Superior Finish

Rust inhibiting phosphate primer and gray baked enamel is standard. All outdoor enclosures are of galvanized steel construction.

J. Meter Socket

Our unique meter socket base is installed without any fasteners—reducing chances for hot spots, easily replaceable, and improves connection to vertical bus.

K. Bus Connection

Mains and modules slip together quickly and smoothly with front-accessible captive bolts securing the juncture without removing socket interiors or bus access plate. Main bus joint bolts torque to 25 foot pounds.

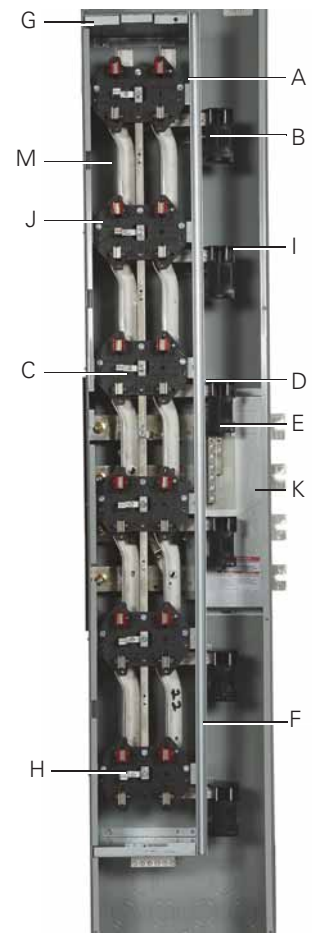
L. Separate Wireway Cover

Separate covers allow easy access to tenant breaker and wireway section, permit work on breakers or in wireway without disturbing meters or meter covers. (Not shown.)

M. Vertical Busbar

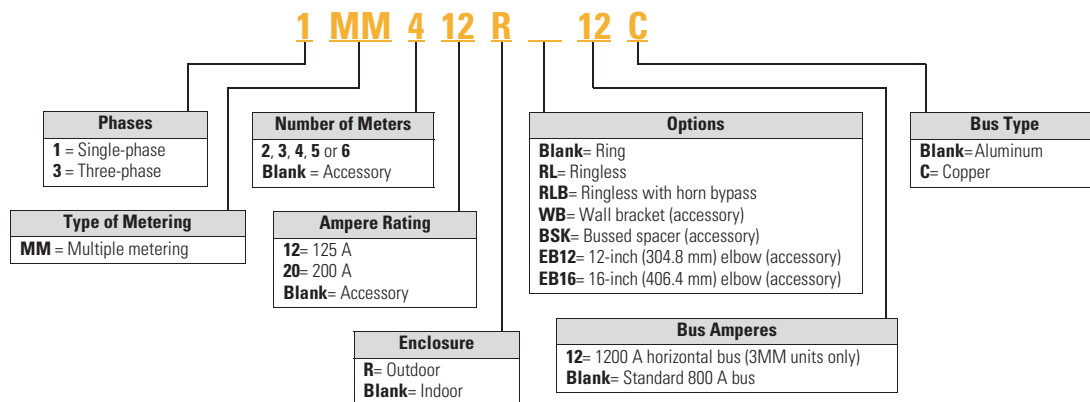
One-piece vertical busbar from phase balancing joints to meter socket eliminating any chance for hot spots.

1MM Meter Stack Module



- Eaton's 1MM stacks are single-phase in, single-phase out design
- Eaton's 3MM stacks are three-phase in, single-phase out design
- Stacks with single-phase horizontal bus are rated 240/120 V, single-phase, three-wire. Stacks with three-phase horizontal bus are rated 208Y/120 V, three-phase, four-wire, but can be used on 240/120 V, three-phase, four-wire delta systems
- All three-phase horizontal bus modules have four-wire cross bus, connected A-B phase to vertical bus, readily reconnectable for phase balance on installation
- Note:** Individual sockets cannot be phase balanced, only each stack.
- Short-circuit ratings up to 100,000 A rms symmetrical depending upon AIC rating of installed main tenant circuit breakers and main device
- Main tenant feeders can exit bottom or back. Knockouts are available at all exit locations
- If being used in outdoor application and exiting the top, mount Myer type hubs on rainproof cap
- Provision for two-pole breaker (plug-on type for 125 A sockets and bolt-on type for 200 A sockets)—circuit breakers not included
- Mechanically and electrically built to bolt-up with main service modules and commercial modular metering stacks
- Aluminum or copper bus
- 800 or 1200 A horizontal bus
- All 3MM stacks include fifth jaw at 9 o'clock position
- All 1MM stacks do not include fifth jaw. Order 1MM5JK if needed

Catalog Number Selection



When Ordering:

- Determine catalog number of Main Service Module.
- Determine catalog number of Meter Stack (Residential or Commercial).
- Find quantity and catalog numbers for tenant circuit breakers (found on **Page V1-T4-125** or **V1-T4-131**). Order one breaker per socket.
- If any accessories are needed, order from **Pages V1-T4-136** and **V1-T4-137**.

Product Selection

1MM and 3MM
Metering Stack
Modules



4

800 A Horizontal Aluminum Bus—Standard Offering

Amperes Per Meter Socket	Number of Meter Sockets	Bus Ampacity	Enclosure Type ^①	Main Tenant Breaker Type (For Specific Catalog Numbers, Refer to Page V1-T4-125)	Single-Phase In, Single-Phase Out	Three-Phase In, Single-Phase Out
					Single-Phase Horizontal Bus (Three Horizontal Busbars—A, B and Neutral) ^② Catalog Number	Three-Phase Horizontal Bus (Four Horizontal Busbars—A, B, C and Neutral) Catalog Number
Ring Style Meter Socket Covers ^③						
125 ^④	2 ^⑤	800	Indoor/outdoor	Plug-on type	Use three-phase	3MM212R
	3 ^⑤	800	Indoor/outdoor	BR2_ BRH2_	1MM312R	3MM312R
	4	800	Indoor/outdoor	BRHH2_ BRX2_	1MM412R	3MM412R
	5	800	Indoor/outdoor		1MM512R	3MM512R
	6	800	Indoor/outdoor		1MM612R	3MM612R
	200 ^⑥	2	800	Outdoor	Bolt-on type	Use three-phase
3		800	Outdoor	CCV2_X CCVH2_X	1MM320R	3MM320R
4		800	Outdoor	CVS2_XMM CV2_XMM	1MM420R	3MM420R
5		800	Outdoor	CVH2_XMM	1MM520R ^⑦	3MM520R ^⑧
Ringless Style Meter Socket Covers						
125	2	800	Outdoor	Plug-on type	Use three-phase	3MM212RRL
	3	800	Outdoor	BR2_ BRH2_	1MM312RRL	3MM312RRL
	4	800	Outdoor	BRHH2_ BRX2_	1MM412RRL	3MM412RRL
	5	800	Outdoor		1MM512RRL	3MM512RRL
	6	800	Outdoor		1MM612RRL	3MM612RRL
	200	2	800	Outdoor	Bolt-on type	Use three-phase
3		800	Outdoor	CCV2_X CCVH2_X	1MM320RRL	3MM320RRL
4		800	Outdoor	CVS2_XMM CV2_XMM	1MM420RRL	3MM420RRL
5		800	Outdoor	CVH2_XMM	1MM520RRL ^⑦	3MM520RRL ^⑧
Ringless Style Covers with Horn Bypass						
125	2	800	Outdoor	Plug-on type	Use three-phase	3MM212RRLB
	3	800	Outdoor	BR2_ BRH2_	1MM312RRLB	3MM312RRLB
	4	800	Outdoor	BRHH2_ BRX2_	1MM412RRLB	3MM412RRLB
	5	800	Outdoor		1MM512RRLB	3MM512RRLB
	6	800	Outdoor		1MM612RRLB	3MM612RRLB
	200	2	800	Outdoor	Bolt-on type	Use three-phase
3		800	Outdoor	CCV2_X CCVH2_X	1MM320RRLB	3MM320RRLB
4		800	Outdoor	CVS2_XMM CV2_XMM	1MM420RRLB	3MM420RRLB
5		800	Outdoor	CVH2_XMM	1MM520RRLB ^⑦	3MM520RRLB ^⑧

Notes

- ① For indoor applications where a top endwall with knockouts is needed, order one of part number **MM12N1WLK** for each 125 A stack or **MM20N1WLK** for each 200 A stack.
- ② 1MM units do not come with 5th jaw.
- ③ Reference drawing EUSERC DWG-G1, G2, G3.
- ④ To change in field from ring to ringless—order **1MMRC125**.
- ⑤ To change in field from ring to ringless, the top socket in 125 A, two- and three-high stacks use **1MMRC125T**. Top socket only—other sockets see ④.
- ⑥ To change in field from ring to ringless—order **1MMRC200**.
- ⑦ Check with local utility for height requirements or restrictions.

800 A Horizontal Copper Bus—Premium Offering

Amperes Per Meter Socket	Number of Meter Sockets	Bus Ampacity	Enclosure Type ①	Main Tenant Breaker Type (For Specific Catalog Numbers, Refer to Page V1-T4-125)	Single-Phase In, Single-Phase Out Single-Phase Horizontal Bus (Three Horizontal Busbars—A, B, C and Neutral) ② Catalog Number	Three-Phase In, Single-Phase Out Three-Phase Horizontal Bus (Four Horizontal Busbars—A, B, C and Neutral) Catalog Number
Ring Style Meter Socket Covers ③						
125 ④	2 ⑤	800	Outdoor	Plug-on type BR2_	Use three-phase	3MM212RC
	3 ⑤	800	Outdoor	BRH2_	1MM312RC	3MM312RC
	4	800	Outdoor	BRHH2_	1MM412RC	3MM412RC
	5	800	Outdoor	BRX2_	1MM512RC	3MM512RC
	6	800	Outdoor		1MM612RC	3MM612RC
200 ⑥	2	800	Outdoor	Bolt-on type CCV2_X	Use three-phase	3MM220RC
	3	800	Outdoor	CCVH2_X	1MM320RC	3MM320RC
	4	800	Outdoor	CVS2_XMM	1MM420RC	3MM420RC
	5	800	Outdoor	CV2_XMM CVH2_XMM	1MM520RC ⑦	3MM520RC ⑥
Ringless Style Meter Socket Covers						
125	2	800	Outdoor	Plug-on type BR2_	Use three-phase	3MM212RRLC
	3	800	Outdoor	BRH2_	1MM312RRLC	3MM312RRLC
	4	800	Outdoor	BRHH2_	1MM412RRLC	3MM412RRLC
	5	800	Outdoor	BRX2_	1MM512RRLC	3MM512RRLC
	6	800	Outdoor		1MM612RRLC	3MM612RRLC
200	2	800	Outdoor	Bolt-on type CCV2_X	Use three-phase	3MM220RRLC
	3	800	Outdoor	CCVH2_X	1MM320RRLC	3MM320RRLC
	4	800	Outdoor	CVS2_XMM	1MM420RRLC	3MM420RRLC
	5	800	Outdoor	CV2_XMM CVH2_XMM	1MM520RRLC ⑦	3MM520RRLC ⑥
Ringless Style Covers with Horn Bypass						
125	2	800	Outdoor	Plug-on type BR2_	Use three-phase	3MM212RRLBC
	3	800	Outdoor	BRH2_	1MM312RRLBC	3MM312RRLBC
	4	800	Outdoor	BRHH2_	1MM412RRLBC	3MM412RRLBC
	5	800	Outdoor	BRX2_	1MM512RRLBC	3MM512RRLBC
	6	800	Outdoor		1MM612RRLBC	3MM612RRLBC
200	2	800	Outdoor	Bolt-on type CCV2_X	Use three-phase	3MM220RRLBC
	3	800	Outdoor	CCVH2_X	1MM320RRLBC	3MM320RRLBC
	4	800	Outdoor	CVS2_XMM	1MM420RRLBC	3MM420RRLBC
	5	800	Outdoor	CV2_XMM CVH2_XMM	1MM520RRLBC ⑦	3MM520RRLBC ⑥

Notes

- ① For indoor applications where a top endwall with knockouts is needed, order (1) of part number **MM12N1WLK** for each 125 A stack or **MM20N1WLK** for each 200 A stack.
- ② 1MM units do not come with 5th jaw.
- ③ Reference drawing EUSERC DWG-G1, G2, G3.
- ④ To change in field from ring to ringless—order **1MMRC125**.
- ⑤ To change in field from ring to ringless, the top socket in 125 A, two- and three-high stacks use **1MMRC125T**. Top socket only—other sockets see ④.
- ⑥ To change in field from ring to ringless—order **1MMRC200**.
- ⑦ Check with local utility for height requirements or restrictions.

1MM and 3MM Metering Stack Modules



4

1200 A Horizontal Aluminum Bus—Standard Offering

Amperes Per Meter Socket	Number of Meter Sockets	Bus Ampacity	Enclosure Type ^①	Main Tenant Breaker Type (For Specific Catalog Numbers, Refer to Page V1-T4-118)	Three-Phase In, Single-Phase Out Three-Phase Horizontal Bus (Four Horizontal Busbars—A, B, C and Neutral) Catalog Number
Ring Style Meter Socket Covers ^②					
125 ^③	2 ^④	1200	Indoor/outdoor	Plug-on type	3MM212R12
	3 ^④	1200	Indoor/outdoor	BR2_ BRH2_	3MM312R12
	4	1200	Indoor/outdoor	BRHH2_	3MM412R12
	5	1200	Indoor/outdoor	BRX2_ BRHX2_	3MM512R12
	6	1200	Indoor/outdoor		3MM612R12
	200 ^⑤	2	1200	Outdoor	Bolt-on type
3		1200	Outdoor	CCV2_X CCVH2_X	3MM320R12
4		1200	Outdoor	CVS2_XMM CV2_XMM	3MM420R12
5		1200	Indoor/outdoor	CVH2_XMM	3MM520R12
Ringless Style Meter Socket Covers (5th Jaw at 9 o'Clock Standard—Field Adjustable to 3 or 6 o'Clock)					
125	2	1200	Outdoor	Plug-on type	3MM212R12RL
	3	1200	Outdoor	BR2_ BRH2_	3MM312R12RL
	4	1200	Outdoor	BRHH2_	3MM412R12RL
	5	1200	Outdoor	BRX2_ BRHX2_	3MM512R12RL
	6	1200	Outdoor		3MM612R12RL
	200	2	1200	Outdoor	Bolt-on type
3		1200	Outdoor	CCV2_X CCVH2_X	3MM320R12RL
4		1200	Outdoor	CVS2_XMM CV2_XMM	3MM420R12RL
5		1200	Outdoor	CVH2_XMM	3MM520R12RL
Ringless Style Covers with Horn Bypass (5th Jaw at 9 o'Clock Standard—Field Adjustable to 3 or 6 o'Clock)					
125	2	1200	Outdoor	Plug-on type	3MM212R12RLB
	3	1200	Outdoor	BR2_ BRH2_	3MM312R12RLB
	4	1200	Outdoor	BRHH2_	3MM412R12RLB
	5	1200	Outdoor	BRX2_ BRHX2_	3MM512R12RLB
	6	1200	Outdoor		3MM612R12RLB
	200	2	1200	Outdoor	Bolt-on type
3		1200	Outdoor	CCV2_X CCVH2_X	3MM320R12RLB
4		1200	Outdoor	CVS2_XMM CV2_XMM	3MM420R12RLB
5		1200	Outdoor	CVH2_XMM	3MM520R12RLB

Notes

- ① For indoor applications where a top endwall with knockouts is needed, order (one) of part number **MM12N1WLK** for each 125 A stack or **MM20N1WLK** for each 200 A stack.
- ② Reference drawing EUSERC DWG-G1, G2, G3.
- ③ To change in field from ring to ringless—order **1MMRC125**.
- ④ To change in field from ring to ringless, the top socket in 125 A, two- and three-high stacks use **1MMRC125T**. Top socket only—other sockets see ③.
- ⑤ To change in field from ring to ringless—order **1MMRC200**.

1200 A Horizontal Copper Bus—Premium Offering

Amperes Per Meter Socket	Number of Meter Sockets	Bus Ampacity	Enclosure Type ①	Main Tenant Breaker Type (For Specific Catalog Numbers, Refer to Page V1-T4-118)	Three-Phase In, Single-Phase Out Three-Phase Horizontal Bus (Four Horizontal Busbars—A, B, C and Neutral) Catalog Number
Ring Style Meter Socket Covers ②					
125 ③	2 ④	1200	Indoor/outdoor	Plug-on type	3MM212R12C
	3 ④	1200	Indoor/outdoor	BR2_ BRH2_	3MM312R12C
	4	1200	Indoor/outdoor	BRHH2_	3MM412R12C
	5	1200	Indoor/outdoor	BRX2_ BRHX2_	3MM512R12C
	6	1200	Indoor/outdoor		3MM612R12C
	200 ⑤	2	1200	Outdoor	Bolt-on type
3		1200	Outdoor	CCV2_X CCVH2_X	3MM320R12C
4		1200	Outdoor	CVS2_XMM CV2_XMM	3MM420R12C
5		1200	Outdoor	CVH2_XMM	3MM520R12C
Ringless Style Meter Socket Covers (5th Jaw at 9 o’Clock Standard—Field Adjustable to 3 or 6 o’Clock)					
125	2	1200	Outdoor	Plug-on type	3MM212R12RLC
	3	1200	Outdoor	BR2_ BRH2_	3MM312R12RLC
	4	1200	Outdoor	BRHH2_	3MM412R12RLC
	5	1200	Outdoor	BRX2_ BRHX2_	3MM512R12RLC
	6	1200	Outdoor		3MM612R12RLC
	200	2	1200	Outdoor	Bolt-on type
3		1200	Outdoor	CCV2_X CCVH2_X	3MM320R12RLC
4		1200	Outdoor	CVS2_XMM CV2_XMM	3MM420R12RLC
5		1200	Outdoor	CVH2_XMM	3MM520R12RLC
Ringless Style Covers with Horn Bypass (5th Jaw at 9 o’Clock Standard—Field Adjustable to 3 or 6 o’Clock)					
125	2	1200	Outdoor	Plug-on type	3MM212R12RLBC
	3	1200	Outdoor	BR2_ BRH2_	3MM312R12RLBC
	4	1200	Outdoor	BRHH2_	3MM412R12RLBC
	5	1200	Outdoor	BRX2_ BRHX2_	3MM512R12RLBC
	6	1200	Outdoor		3MM612R12RLBC
	200	2	1200	Outdoor	Bolt-on type
3		1200	Outdoor	CCV2_X CCVH2_X	3MM320R12RLBC
4		1200	Outdoor	CVS2_XMM CV2_XMM	3MM420R12RLBC
5		1200	Outdoor	CVH2_XMM	3MM520R12RLBC

Notes

- ① For indoor applications where a top endwall with knockouts is needed, order (one) of part number **MM12N1WLK** for each 125 A stack or **MM20N1WLK** for each 200 A stack.
- ② Reference drawing EUSERC DWG-G1, G2, G3.
- ③ To change in field from ring to ringless—order **1MMRC125**.
- ④ To change in field from ring to ringless, the top socket in 125 A, two- and three-high stacks use **1MMRC125T**. Top socket only—other sockets see ③.
- ⑤ To change in field from ring to ringless—order **1MMRC200**.

Technical Data and Specifications

Wire Sizes—Neutral and Ground Lugs

- Each stack includes a neutral and ground bar
- If an extra ground bar is needed, order **1MMGBK**

Wire Sizes—Neutral and Ground Lugs

Lugs in Meter Socket Modules	Wire Size, Al/Cu
Branch neutral—125 A socket module	#6–2/0 kcmil
Branch neutral—200 A socket module	#1/0–300 kcmil
Equipment ground bar—125 A socket module	#14–#2 kcmil
Equipment ground bar—200 A socket module	#14–2/0 kcmil
Optional ground bar (1MMGBK)	#6–2/0 kcmil

Notes

- ① For indoor applications where a top endwall with knockouts is needed, order (one) of part number **MM12N1WLK** for each 125 A stack or **MM20N1WLK** for each 200 A stack.
- ② Reference drawing EUSERC DWG-G1, G2, G3.
- ③ To change in field from ring to ringless—order **1MMRC125**.
- ④ To change in field from ring to ringless, the top socket in 125 A, two- and three-high stacks use **1MMRC125T**. Top socket only—other sockets see ③.
- ⑤ To change in field from ring to ringless—order **1MMRC200**.

Phase Balancing

All 3MM meter modules come factory connected to phase A and B, per Figure A. When connected to a 208Y/120 Vac three-phase, four-wire system, field phase balancing of two out of every three stacks is required. One of every three stacks should be phased AC, per Figure B, and one of every three stacks should be phased CB, per Figure C.

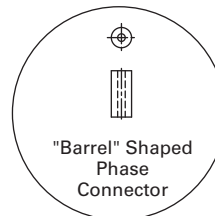
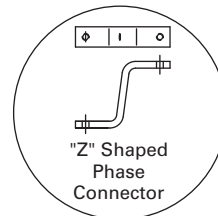
Examples:

Nine Total Positions—use (three) three-position stacks and phase one per Figure B (A-C phasing) and one per Figure C (C-B phasing).

16 Total Positions—use (two) five-position and (two) three-position stacks. Phase balance (one) five-position per Figure B (A-C phasing) and (one) five-position per Figure C (C-B phasing).

19 Total Positions—where four-position maximum height is allowed by utility. Use (one) four-position and (five) three-position stacks. Phase balance (two) three-position stacks per Figure B (A-C phasing) and (two) three-position stacks per Figure C (C-B phasing).

"Z" Shaped and "Barrel" Shaped Phase Connector

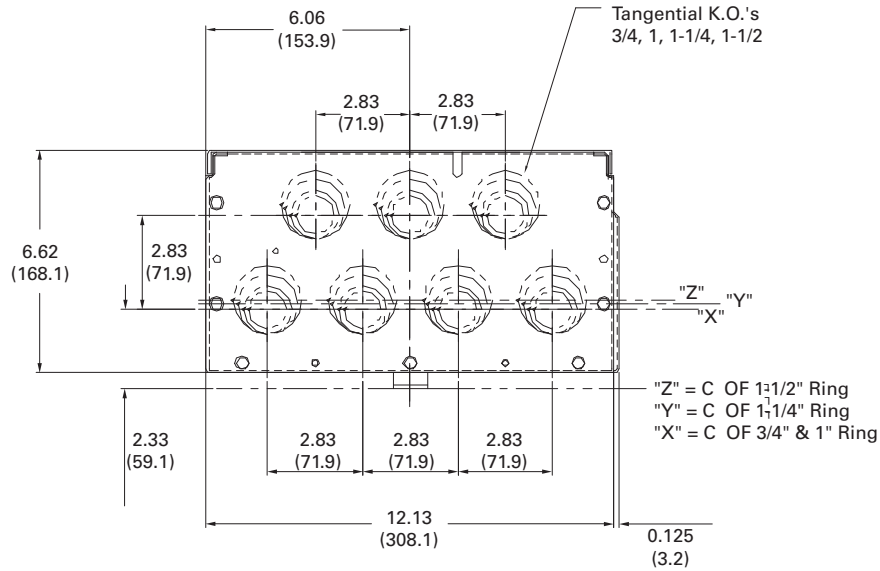
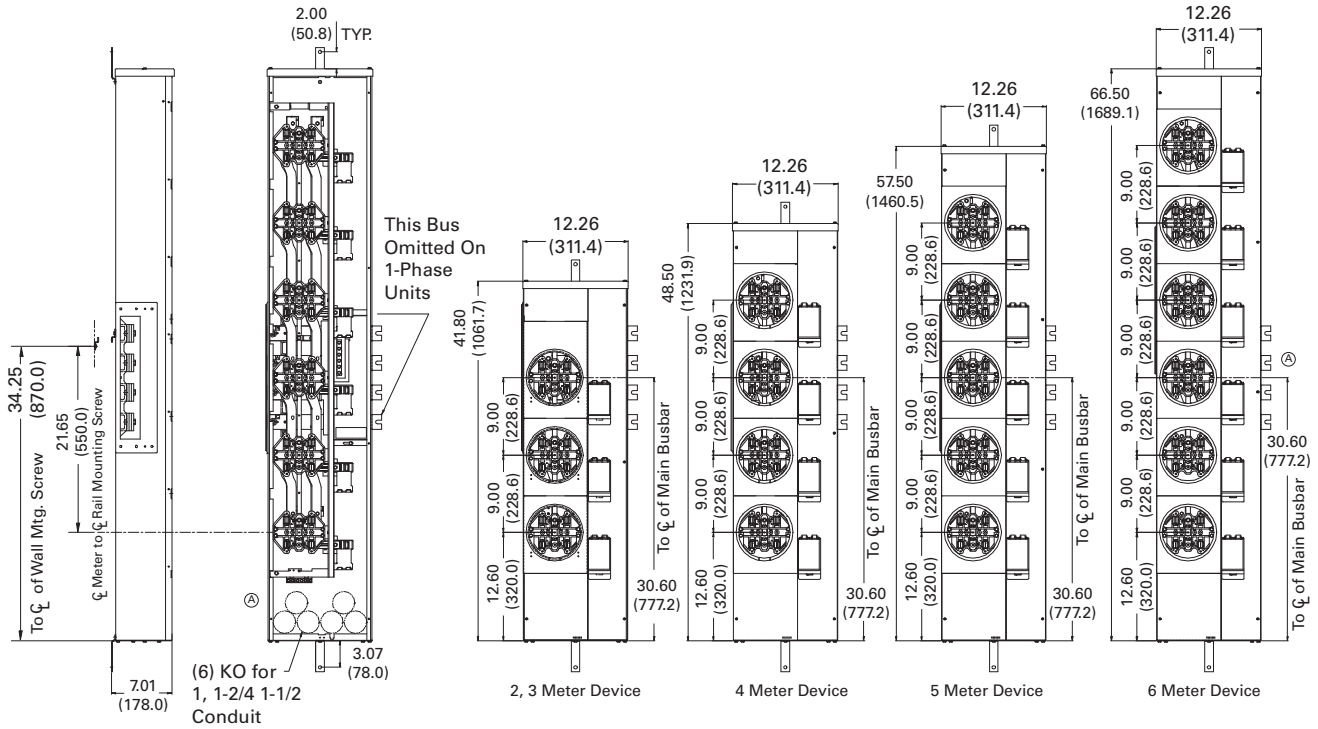


Dimensions

Approximate Dimensions in Inches (mm)

Modular Metering Stacks—Aluminum and Copper

3-High, 4-High, 5-High and 6-High, 125 Amperes, 1MM, 3MM



Top End & Bottom End View for NEMA 1;
Bottom End View for NEMA 3R

Note: Dimensions Apply to 800 and 1200 Ampere Horizontal Bus.

4.3

Metering Products

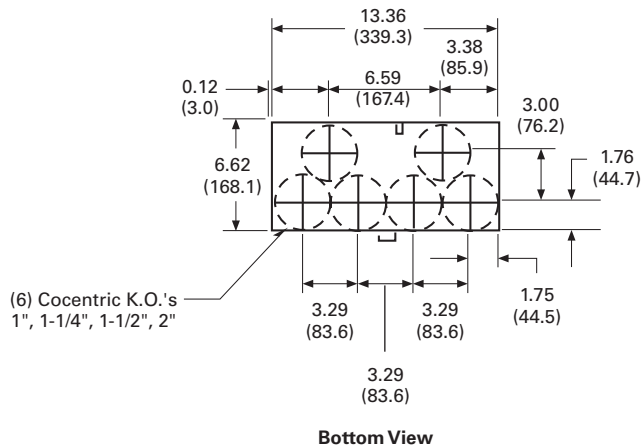
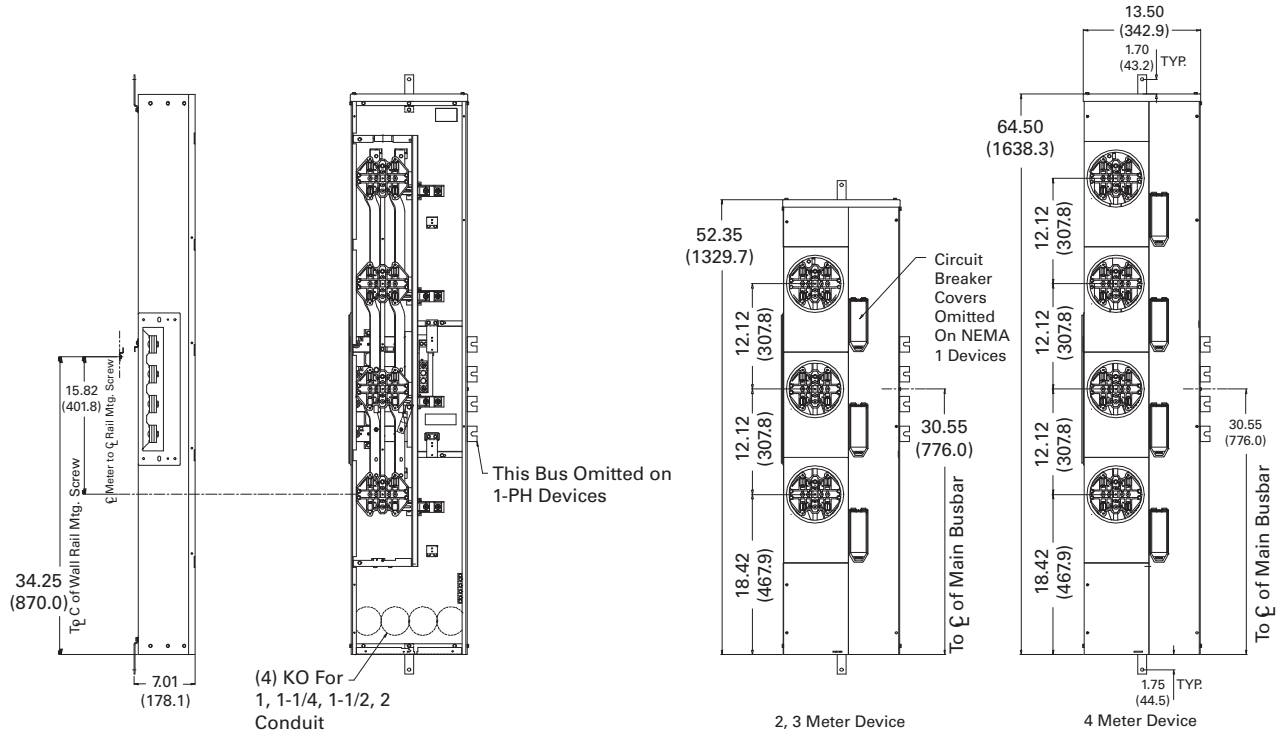
Group Metering

Approximate Dimensions in Inches (mm)

Modular Metering Stacks—Aluminum and Copper

3-High and 4-High, 200 Amperes, 1MM, 3MM

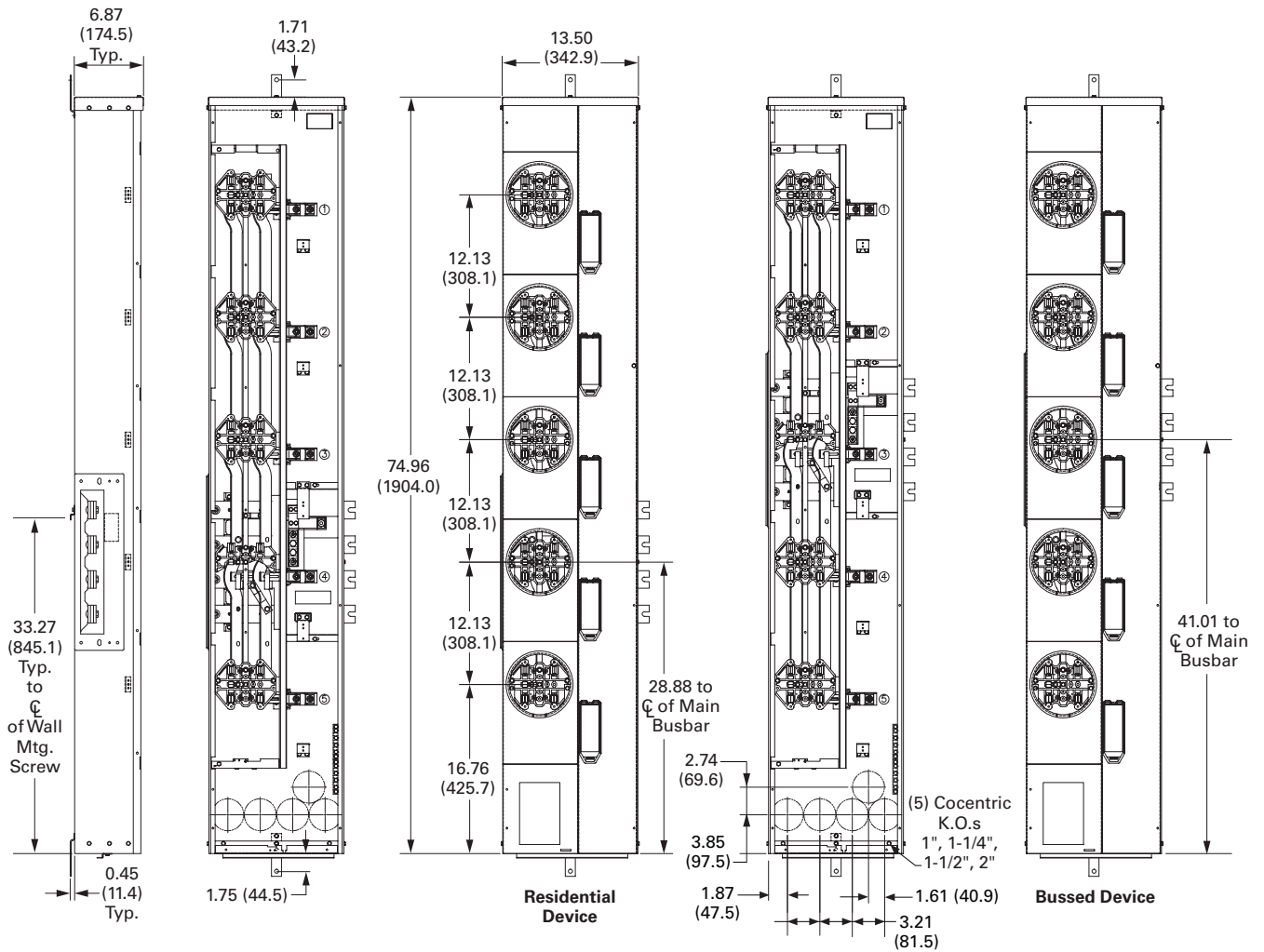
4



Note: Dimensions Apply to 800 and 1200 Ampere Horizontal Bus.

Approximate Dimensions in Inches (mm)

5-High, 200 Amperes, 1MM and 3MM Metering



Note: The Bussted meter stack device shown on the far right of the figure, must be used on Mains with Busway connections, found on Pages V1-T4-100 and V1-T4-106. Please contact factory for catalog numbers associated with Bussted meter stack devices.

Type BR Tenant Main Circuit Breaker



Type BR 120/240 V

Product Overview

Eaton offers Type BR family of circuit breakers as the plug-on tenant main breakers used in group metering applications.

Product Description

Eaton's residential products Type BR circuit breaker is available in a two-pole configuration for group metering applications from 60 A to 125 A in 10, 22, 42 and 65 kAIC ratings.

Contents

Description

	<i>Page</i>
Systems for Residential and Commercial Applications	V1-T4-68
Meter Packs	V1-T4-76
Meter Packs—Tenant Circuit Breakers	V1-T4-88
Main Service Modules	V1-T4-89
Residential Meter Stacks	V1-T4-108
Commercial Meter Stack Modules	V1-T4-123
35MM, 37MM, 35SS and 37SS Tenant Main Circuit Breakers	V1-T4-130
Phase Balanced Stack	V1-T4-132
Group Metering Inline Current Transformer Cabinets	V1-T4-133
Surge Metering	V1-T4-134
Group Metering Accessories	V1-T4-135

Features

- **Ratings**—120/240 Vac, two-pole, through 125 A continuous amperages, calibrated at 40 °C
- **Tripping characteristics**—thermal-magnetic trip
- **Interrupting capacity** at 120/240 Vac
 - BR—10,000 A rms symmetrical
 - BRH—22,000 A rms symmetrical
 - BRHX—22,000 A rms symmetrical
 - BRHH—42,000 A rms symmetrical
 - BRX—65,000 A rms symmetrical
- **Handles**—trip-free with ON-TRIPPED-OFF positions. Reset past OFF is required to latch breaker contacts after tripping
- **Terminals**—standard lugs (wire connectors) suitable for copper or aluminum wire

Standards and Certifications

- Complies with UL Standard 489. Breakers are listed under UL File #E7819



Product Selection



Type BR 120/240 V Tenant Main Circuit Breakers

Description	Number of Poles	Main Tenant Circuit Breaker Ampere Rating	10 kAIC Catalog Number	22 kAIC Catalog Number	22 kAIC ① Catalog Number	42 kAIC Catalog Number	65 kAIC Catalog Number	100 kAIC Catalog Number
Plug-On Type								
Plug-on type circuit breakers used with 1MP, 1MM, and 3MM 125 A modular metering stacks	2	60	BR260	BRH260	BRHX260	BRHH260	BRX260	—
	2	70	BR270	BRH270	BRHX270	BRHH270	BRX270	—
	2	80	BR280	BRH280	BRHX280	BRHH280	BRX280	—
Wire Sizes								
#8–1/0 Cu/Al—for 60–100 A	2	90	BR290	BRH290	BRHX290	BRHH290	BRX290	—
Only exception is BRX, which is #8–2/0 Cu/Al	2	100	BR2100	BRH2100	BRHX2100	BRHH2100	BRX2100	—
#8–2/0 Cu/Al—for 125 A	2	110	BR2110	BRH2110	BRHX2110	BRHH2110	BRX2110	—
	2	125	BR2125	BRH2125	BRHX2125	BRHH2125	BRX2125	—

Field Installable Lug Kits for 1MM and 3MM Tenant Main Circuit Breakers
(For use with Residential Meter Stacks to account for bigger wire sizes)

BR40LUG



Description	Catalog Number
4/0 Lug adapter—accommodates 3/0–4/0	BR40LUG

BR40NEU



4/0 Neutral bar adapter—accommodates #1–4/0	BR40NEU
---	---------

Up-sized ground bar kit	1MMGBK
Two-pole 300 kcmil with terminal shield	2TA225CVK
Three-pole 300 kcmil with terminal shield	3TA225CVK
Replacement mounting hardware kit for 200 A 1MP, 1MM and 3MM units	1MMCBK

Wire Sizes—Neutral and Ground Lugs

Description	Wire Size, Al/Cu	Catalog Number
Neutral—125 A meter pack	#6–2/0	—
Neutral—200 A meter pack	#1/0–300 kcmil	—
Equipment ground bar—125 A meter pack	#14–#2	—
Equipment ground bar—200 A meter pack	#14–2/0	—
Optional ground bar	#6–2/0	1MMGBK

BR40LUG Compatibility Chart

Type	60 A	70 A	80 A	90 A	100 A	110 A	125 A
BR	—	—	—	—	—	BR2110	BR2125
BRH	—	—	—	—	—	BRH2110	BRH2125
BRHX	—	—	—	—	—	BRHX2110	BRHX2125
BRHH	—	—	—	—	—	BRHH2110	BRHH2125
BRX	BRX260	BRX270	BRX280	BRX290	BRX2100	BRX2110	BRX2125

Other Notes for Lug Kits

Notes: The lug adapter kit can be used in 1MM and 3MM 3- through 6-socket 125 A modular metering stacks. Only intended for use in bottom- and rear-feed applications. Four adapters can be used per meter stack.

Notes

- ① Only to be used in 3-tier solution requiring a 65 kAIC rated main breaker (up to 2000 A) upstream.
- ① This kit comes with three pads for two lines and neutral. Each pad will accept one or two crimp lugs. Cannot be used on 1MP2122R, RL, RC and RLB EUSERC underground termination.
- ② This lug is not UL listed.

Each stack includes a neutral and ground bar. If an extra ground bar is needed, order 1MMGBK.

Type CCV Tenant Main Circuit Breaker



Type CCV 120/240 V

Product Overview

Eaton offers Type CCV (10 and 22 kAIC) and Type CV (42, 65 and 100 kAIC) family of circuit breakers as the primary tenant main breakers used in most group metering applications.

Product Description

Eaton's residential products Type CCV circuit breaker is available in two-pole configurations from 100 A to 225 A in 10 and 22 kAIC ratings.

Features

- **Ratings**—120/240 Vac, two-pole, through 225 continuous amperes, calibrated at 40 °C
- **Tripping characteristics**—thermal-magnetic trip, calibrated and sealed after assembly. Indirectly heated thermal tripping bimetal elements
- **Interrupting capacity** at 120/240 Vac. Type CCV—10 kAIC rms symmetrical. Type CCVH—25 kAIC rms symmetrical

Contents

Description

	<i>Page</i>
Systems for Residential and Commercial Applications	V1-T4-68
Meter Packs	V1-T4-76
Meter Packs—Tenant Circuit Breakers	V1-T4-88
Main Service Modules	V1-T4-89
Residential Meter Stacks	V1-T4-108
Commercial Meter Stack Modules	V1-T4-123
35MM, 37MM, 35SS and 37SS Tenant Main Circuit Breakers	V1-T4-130
Phase Balanced Stack	V1-T4-132
Group Metering Inline Current Transformer Cabinets	V1-T4-133
Surge Metering	V1-T4-134
Group Metering Accessories	V1-T4-135

Standards and Certifications

- Complies with UL Standard 489. Breakers are listed under UL File #E7819



- **Handles**—trip-free with ON-TRIPPED-OFF positions. Reset past OFF is required to latch breaker contacts after tripping
- **Terminals**—standard lugs (wire connectors) suitable for copper or aluminum wire
- **Backward compatibility**—Type CCV and CCVH retains same profile and footprint as the CC and CCH breaker, allowing use in the same applications

Product Selection

Type CCV 120/240 V Tenant Main Circuit Breaker

Ampere Rating	Two-Pole Breaker		
	Wire Size Range, Al/Cu	10 kAIC	25 kAIC
60	#2–300 kcmil	CCV2060X	CCVH2060X
70		CCV2070X	CCVH2070X
80		CCV2080X	CCVH2080X
90		CCV2090X	CCVH2090X
100		CCV2100X	CCVH2100X
125		CCV2125X	CCVH2125X
150		CCV2150X	CCVH2150X
175		CCV2175X	CCVH2175X
200		CCV2200X	CCVH2200X
225		CCV2225X	CCVH2225X

Modification Codes

- X—load side terminals only

Type CV Tenant Main Circuit Breaker



Type CV 120/240 V

Product Overview

Eaton offers Type CCV (10 and 22 kAIC) and Type CV (42, 65 and 100 kAIC) family of circuit breakers as the primary tenant main breakers used in most group metering applications.

Product Description

Eaton’s residential products Type CV molded-case circuit breaker is available in two- and three-pole configurations from 60 A to 225 A in 42, 65 and 100 kAIC ratings.

Contents

<i>Description</i>	<i>Page</i>
Systems for Residential and Commercial Applications	V1-T4-68
Meter Packs	V1-T4-76
Meter Packs—Tenant Circuit Breakers	V1-T4-88
Main Service Modules	V1-T4-89
Residential Meter Stacks	V1-T4-108
Commercial Meter Stack Modules	V1-T4-123
35MM, 37MM, 35SS and 37SS Tenant Main Circuit Breakers	V1-T4-130
Phase Balanced Stack	V1-T4-132
Group Metering Inline Current Transformer Cabinets	V1-T4-133
Surge Metering	V1-T4-134
Group Metering Accessories	V1-T4-135

Features

- **Ratings**—120/240 Vac, two- and three-pole, through 225 continuous amperes, calibrated at 40 °C
- **Tripping characteristics**—thermal-magnetic trip, calibrated and sealed after assembly. Indirectly heated thermal tripping bimetal elements; includes push-to-test button for routine preventive maintenance
- **Interrupting capacity** at 120/240 Vac
 - Type CVS—42,000 A rms symmetrical
 - Type CV—65,000 A rms symmetrical
 - Type CVH—100,000 A rms symmetrical
- **Handles**—trip-free with ON-TRIPPED-OFF positions. Reset past OFF is required to latch breaker contacts after tripping
- **Terminals**—standard lugs (wire connectors) suitable for copper or aluminum wire

Standards and Certifications

- Complies with UL Standard 489. Breakers are listed under UL File #E7819



Product Selection

Type CV Two-Pole Tenant Main Circuit Breakers

Number of Poles	Main Tenant Circuit Breaker Ampere Rating	Wire Size Range, Al/Cu	42 kAIC Catalog Number	65 kAIC Catalog Number	100 kAIC Catalog Number
2	60	#6-4/0	CVS2060XMM	CV2060XMM	CVH2060XMM
	70		CVS2070XMM	CV2070XMM	CVH2070XMM
	80		CVS2080XMM	CV2080XMM	CVH2080XMM
	90		CVS2090XMM	CV2090XMM	CVH2090XMM
	100		CVS2100XMM	CV2100XMM	CVH2100XMM
	125		CVS2125XMM	CV2125XMM	CVH2125XMM
	150		CVS2150XMM	CV2150XMM	CVH2150XMM
	175		CVS2175XMM	CV2175XMM	CVH2175XMM
	200		CVS2200XMM	CV2200XMM	CVH2200XMM
	225		CVS2225XMM	CV2225XMM	CVH2225XMM

Type CV Three-Pole Tenant Main Circuit Breakers

Number of Poles	Main Tenant Circuit Breaker Ampere Rating	Wire Size Range, Al/Cu	42 kAIC Catalog Number	65 kAIC Catalog Number	100 kAIC Catalog Number
3	60	#6-4/0	CVS3060X	CV3060X	CVH3060X
	70		CVS3070X	CV3070X	CVH3070X
	80		CVS3080X	CV3080X	CVH3080X
	90		CVS3090X	CV3090X	CVH3090X
	100		CVS3100X	CV3100X	CVH3100X
	125		CVS3125X	CV3125X	CVH3125X
	150		CVS3150X	CV3150X	CVH3150X
	175		CVS3175X	CV3175X	CVH3175X
	200		CVS3200X	CV3200X	CVH3200X
	225		CVS3225X	CV3225X	CVH3225X

Commercial Meter Stack Modules (35MM, 37MM, 35SS and 37SS)



35MM, 37MM, 35SS and 37SS

Contents

<i>Description</i>	<i>Page</i>
Systems for Residential and Commercial Applications	V1-T4-68
Meter Packs	V1-T4-76
Meter Packs—Tenant Circuit Breakers	V1-T4-88
Main Service Modules	V1-T4-89
Residential Meter Stacks	V1-T4-108
Commercial Meter Stack Modules	
Catalog Number Selection	V1-T4-124
Product Selection	V1-T4-125
Dimensions and Knockouts	V1-T4-128
35MM, 37MM, 35SS and 37SS Tenant Main Circuit Breakers	V1-T4-130
Phase Balanced Stack	V1-T4-132
Group Metering Inline Current Transformer Cabinets	V1-T4-133
Surge Metering	V1-T4-134
Group Metering Accessories	V1-T4-135

Commercial Meter Stacks—Tenant Main Circuit Breakers

Product Description

- Heavy-duty lever bypass socket design
- Single-phase or three-phase designs (35 = single-phase, 37 = three-phase)
- Provision for two-pole or three-pole main tenant breakers
- Phase balance kits are included with three-high and four-high modules

Features, Benefits and Functions

A. End Walls

The top cap is removable and does not contain knockouts, so contractors can position and punch holes where they need them. There are numerous KOs in the back and bottom for flexibility.

B. Ground Bars

The factory-installed equipment ground bars are provided in both the top and bottom gutters.

C. Meter Socket

The 5-jaw meter socket and 7-jaw meter socket includes a built-in manual bypass and jaw release. The ground wire is factory connected in both 35MM and 37MM modules.

D. Separate Wireway Cover

If work on the breakers or cables is necessary, it can be accomplished without disturbing the meters or meter covers, thanks to a separate cover that allows easy access to the module's main tenant breaker and wireway section. (Not shown.)

E. Barrier

A solid metal barrier separates the meter socket section from the tenant breaker in the wireway section. The un-metered vertical bus is enclosed to guard against power theft.

F. Neutral Assembly

Located in the wireway of each module, the assembly permits convenient termination of the neutral conductors.

G. Enclosed Horizontal Bus

Non-removable metal barrier encloses 1200 A horizontal bus when passing through the tenant breaker section for added security.

H. Tenant Breaker Range

All modules accept 15–225 A bolt-on breakers in various AIC ratings. The CHH_X breaker carries a UL listed series rating of 100,000 A, which allows you to use standard 10 kAIC breakers in downstream loadcenters and panelboards by Eaton.

I. Indoor/Outdoor Construction

Raintight caps, meter covers and lockable raintight tenant breaker covers make it convenient for you to use any of our modules on either NEMA 1 or NEMA 3R applications.

J. Mounting Rail

Rear mounting rail and wall hanger speed and simplify installation. (Mounting rail not shown.)

K. Nameplate and Ratings

The nameplate gives you full rating data: 208Y/120, three-phase, four-wire; 240/120, three-phase, four-wire delta (high leg on B-phase); and 240/120 single-phase. (Not shown.)

L. Mains and Modules

Slip together quickly, smoothly with front-accessible captive bolts securing the juncture without removing socket interiors or bus access plate. Main bus joint bolts torque to 25 foot pounds.

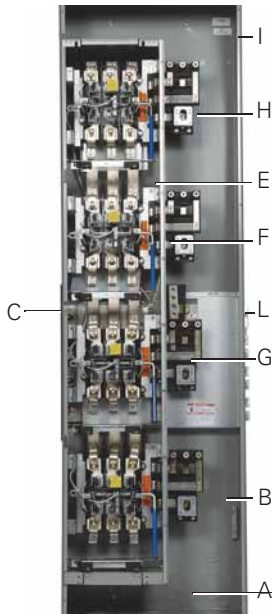
4.3

Metering Products

Group Metering

4

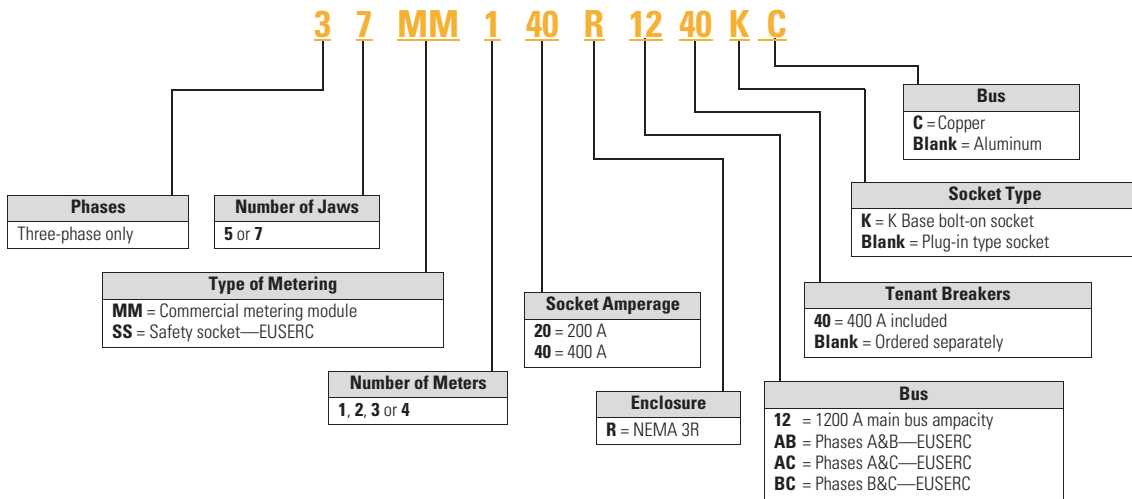
37MM Meter Stack Module



- Eaton's 35MM and 37MM modular metering stacks contain meter sockets with built-in manual bypass and jaw release (Non-EUSERC areas)
- Eaton's 35SS and 37SS stacks use meter sockets with test bypass feature (meets EUSERC electrical requirements)
- All commercial modular metering stacks contain four horizontal cross buses
- Mechanically and electrically built to bolt-up with main service modules and residential modular metering stacks

Catalog Number Selection

Commercial Meter Stack Modules



When Ordering:

1. Determine catalog number of Main Service Module.
2. Determine catalog number of Meter Stack (Residential or Commercial).
3. Find quantity and catalog numbers for tenant circuit breakers (found on **Page V1-T4-125**). Order one breaker per socket.
4. If any accessories are needed, order from **Pages V1-T4-136** and **V1-T4-137**.

Product Selection

35MM

- Each socket is a 5 terminal block with lever bypass and jaw release
- Ringless covers
- Provision for two-pole main tenant breakers (circuit breakers not included). For circuit breaker catalog numbers, refer to **Page V1-T4-125**
- Phase balancing kits are included with three-high and four-high modules. Each individual socket can be phase balanced in the field to the desired lines (A-B, B-C or A-C). Comes from factory as A-B
- Indoor/outdoor construction
- Main tenant feeders can exit top, bottom or back
- If being used in outdoor application and exiting the top, mount Myer type hubs on rainproof cap
- Short-circuit ratings up to 100 A rms symmetrical depending upon the kAIC rating of installed main tenant circuit breakers and main device
- Non-EUSERC areas

35MM—Single-Phase Commercial Meter Stack Modules (Three-Phase In, Single-Phase Out)

System Voltage	Ampere Rating Per Meter Socket	Number of Meter Sockets	Horizontal Bus Ampacity/ Material	Number of Jaws Per Meter Socket	Main Tenant Breaker Type (Page V1-T4-125) ①	Catalog Number
120/240 V, single-phase, three-wire systems and 208Y/120 V network metering (Not suitable for use on three-phase, four-wire delta systems)	225	1	1200 Al	5	Bolt-on type EHD2_ CCV2_X CCVH2_X CVS2_XMM CV2_XMM CVH2_XMM	35MM120R12
		1	1200 Cu	5		35MM120R12C
		2	1200 Al	5		35MM220R12
		2	1200 Cu	5		35MM220R12C
		3	1200 Al	5		35MM320R12
		3	1200 Cu	5		35MM320R12C
		4	1200 Al	5		35MM420R12
		4	1200 Cu	5		35MM420R12C
	400	1	1200 Al	5	400 A K-Frame included	35MM140R1240 ②
		1	1200 Cu	5	35MM140R1240C ②	
	400	1	1200 Al	5	400 A K-Frame included	35MM140HR1240 ③
		1	1200 Cu	5	35MM140HR1240C ③	
	400	2	1200 Al	5	400 A K-Frame included	35MM240R1240
		2	1200 Cu	5	35MM240R1240C	
	400 continuous	1	1200 Cu	5	400 A L-Frame included	35MM140R1240K
	400 continuous	1	1200 Cu	5	400 A L-Frame included	35MM140HR1240KC ④

Notes

- ① Retrofit tenant circuit breaker mounting kit (**37MMRCBK**) for installation of Type EHD and CV breakers. Needed only for stacks manufactured prior to February 2013. Order one kit per breaker.
- ② Unit is bottom exit only.
- ③ Rated at 100 kAIC.
- ④ Rated at 35 kAIC.

37MM

- Each socket is a 7 terminal block with lever bypass and jaw release
- Ringless covers
- Provision for three-pole main tenant breakers (circuit breakers not included). For circuit breaker catalog numbers, refer to **Page V1-T4-125**
- Indoor/outdoor construction
- Main tenant breakers can exit top, bottom or back
- If being used in outdoor application and exiting the top, mount Myer type hubs on rainproof cap
- Short-circuit ratings up to 100 A rms symmetrical depending upon the kAIC rating of installed main tenant circuit breakers and main device
- Non-EUSERC areas

37MM—Three-Phase Commercial Meter Stack Modules (Three-Phase In, Three-Phase Out)

System Voltage	Ampere Rating Per Meter Socket	Number of Meter Sockets	Horizontal Bus Ampacity/Material	Number of Jaws Per Meter Socket ^①	Main Tenant Breaker Type ^② (Page V1-T4-125)	Catalog Number
208Y/120 V, three-phase, four-wire 240/120 V, three-phase, four-wire delta (B-phase is high leg)	225	1	1200 Al	7	Bolt-on type EHD3_ CC3_X CVS3_X CV3_X CVH3_X	37MM120R12
		1	1200 Cu	7		37MM120R12C
		2	1200 Al	7		37MM220R12
		2	1200 Cu	7		37MM220R12C
		3	1200 Al	7		37MM320R12
		3	1200 Cu	7		37MM320R12C
		4	1200 Al	7		37MM420R12
		4	1200 Cu	7		37MM420R12C
	400	1	1200 Al	7	Bolt-on type EHD3_ CC3_X CVS3_X CV3_X CVH3_X	37MM140R12 ^③
		1	1200 Cu	7		37MM140R12C ^③
	400	1	1200 Al	7	400 A K-Frame included	37MM140R1240 ^④
		1	1200 Cu	7		37MM140R1240C ^④
	400	1	1200 Al	7	400 A K-Frame included	37MM140HR1240 ^⑤
		1	1200 Cu	7		37MM140HR1240C ^⑤
400	2	1200 Al	7	400 A K-Frame included	37MM240R1240	
	2	1200 Cu	7		37MM240R1240C	
400 continuous	1	1200 Cu	7	400 A L-Frame included	37MM140R1240KC ^⑥	
400 continuous	1	1200 Cu	7	400 A L-Frame included	37MM140HR1240KC ^⑦	

Notes

- ① If a socket in a 37MM meter stack module needs to be single-phase, order **37MM1CK**. This will convert the three-phase socket to single-phase.
- ② Retrofit tenant circuit breaker mounting kit (**37MMRCBK**) for installation of Type EHD and CV breakers. Needed only for stacks manufactured prior to February 2013. Order one kit per breaker.
- ③ 320 A continuous rated socket with provisions for two main tenant breakers.
- ④ Unit is bottom exit only.
- ⑤ Rated at 100 kAIC.
- ⑥ Rated at 25 kAIC.
- ⑦ Rated at 35 kAIC.

35SS

- Sockets include EUSERC required test-bypass-disconnect feature
- Ring type covers
- Single-phase units have provisions for two-pole main tenant breakers
- When applying 35SS (single-phase) stacks on 208Y/120 V, three-phase, four-wire and 240/120 V, three-phase, four-wire delta systems, refer to suffixes for proper phase balancing. Each meter stack module is phase balanced at the plant (A-B, B-C or A-C) and cannot be field modified
- Indoor/outdoor construction
- Main tenant breakers can exit top, bottom or back. If being used in outdoor application and exiting the top, mount Myer type hubs on rainproof cap
- Short-circuit ratings up to 100 A rms symmetrical depending upon the kAIC rating of installed main tenant circuit breakers and main device

35SS

35SS—Three-Phase Commercial Meter Stack Modules ①



System Voltage	Ampere Rating Per Meter Socket	Number of Meter Sockets	Horizontal Bus Ampacity/ Material	Number of Jaws Per Meter Socket	Main Tenant Breaker Type ② (Page V1-T4-125)	Catalog Number
120/240 V, single-phase, three-wire systems and 208Y/120 V network metering (Not suitable for use on three-phase, four-wire delta systems)	225	1	1200 Al	5	Bolt-on type	35SS120RAB ③
			1200 Cu	5	EHD2_	35SS120RABC ③
			1200 Al	5	CCV2_X	35SS120RAC ③
			1200 Cu	5	CCVH2_X	35SS120RACC ③
			1200 Al	5	CVS2_X	35SS120RBC ③
			1200 Cu	5	CV2_X	35SS120RBCC ③
	2	2	1200 Al	5		35SS220RAB ③
			1200 Cu	5		35SS220RABC ③
			1200 Al	5		35SS220RAC ③
			1200 Cu	5		35SS220RACC ③
			1200 Al	5		35SS220RBC ③
			1200 Cu	5		35SS220RBCC ③
	3	3	1200 Al	5		35SS320RAB ③
			1200 Cu	5		35SS320RABC ③
			1200 Al	5		35SS320RAC ③
			1200 Cu	5		35SS320RACC ③
			1200 Al	5		35SS320RBC ③
			1200 Cu	5		35SS320RBCC ③

37SS

- Sockets include EUSERC required test-bypass-disconnect feature
- Ring type covers
- Three-phase units have provisions for three-pole main tenant breaker
- Aluminum horizontal bus supplied as standard

37SS—Three-Phase Commercial Meter Stack Modules ①

System Voltage	Ampere Rating Per Meter Socket	Number of Meter Sockets	Horizontal Bus Ampacity/ Material	Number of Jaws Per Meter Socket	Main Tenant Breaker Type ② (Page V1-T4-125)	Catalog Number
208Y/120 V, three-phase, four-wire 240/120 V, three-phase, four-wire delta (B-phase is high leg)	225	1	1200 Al	7	Bolt-on type	37SS120R
			1200 Cu	7	EHD3_	37SS120RC
		2	1200 Al	7	CC3_X	37SS220R
			1200 Cu	7	CVS3_X	37SS220RC
		3	1200 Al	7	CV3_X	37SS320R
			1200 Cu	7	CVH3_X	37SS320RC

Notes

- ① Reference drawing EUSERC DWG-304 for 100 A; Reference drawing EUSERC DWG-305 for 200 A.
- ② Retrofit tenant circuit breaker mounting kit (**37MMRCBK**) for installation of Type EHD and CV breakers. Needed only for stacks manufactured prior to February 2013. Order one kit per breaker.
- ③ Last two digits of catalog number indicate phase balancing (AB indicates all sockets in this stack are connected to phases A and B only).

4.3

Metering Products

Group Metering

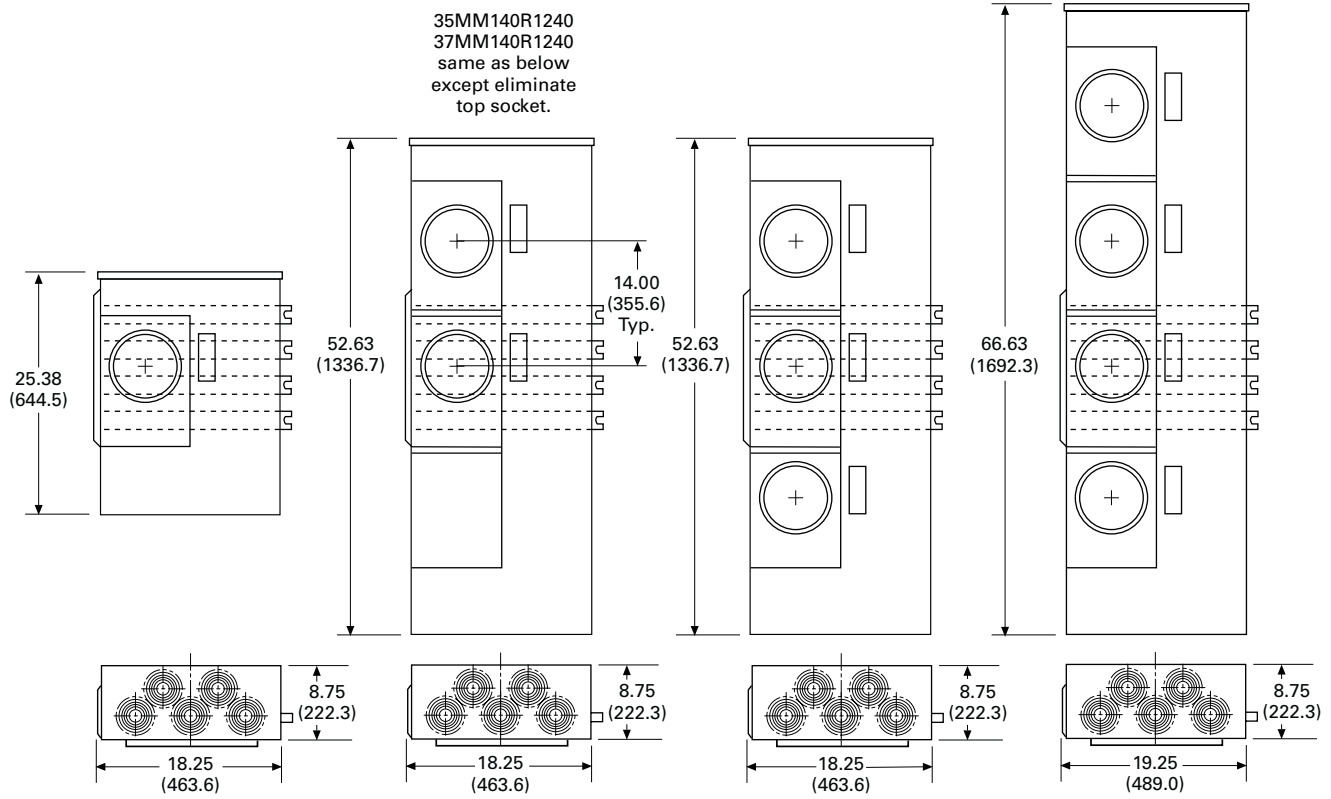
Dimensions and Knockouts

Approximate Dimensions in Inches (mm)

Commercial Stacks (35MM and 37MM)

35MM and 37MM

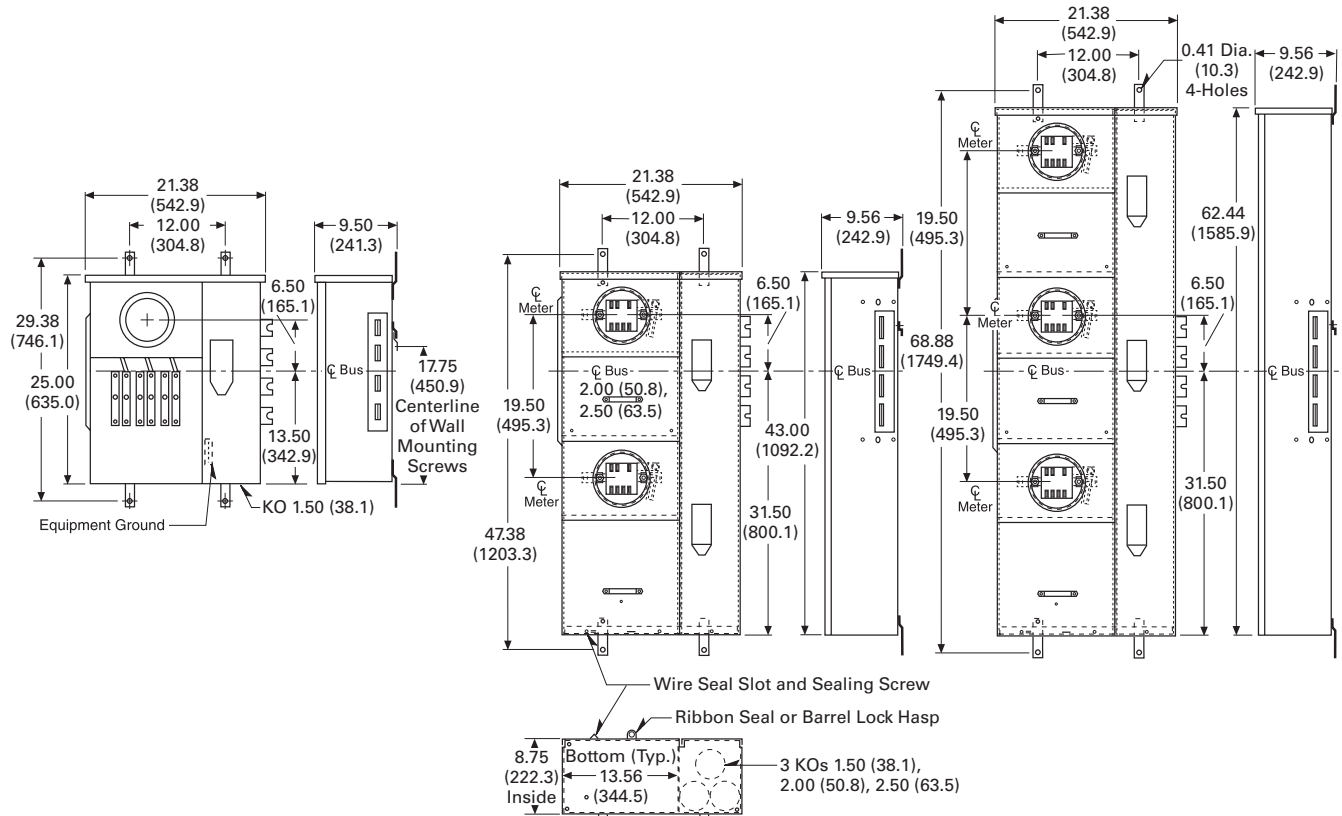
4



Approximate Dimensions in Inches (mm)

Commercial Stacks (35SS and 37SS)

35SS and 37SS



35MM, 37MM, 35SS and 37SS Main Tenant Circuit Breakers



CV2200/CV3200

35MM, 37MM, 35SS and 37SS Tenant Main Circuit Breakers

Product Description

- The following breakers are to be used on 35MM, 37MM, 35SS and 37SS modular metering stacks
- Series rating information available on **Page V1-T4-73**
- Two-pole breakers are 120/240 Vac, field installed
- Three-pole breakers are 208Y/120 Vac, field installed

Contents

Description

	<i>Page</i>
Systems for Residential and Commercial Applications	V1-T4-68
Meter Packs	V1-T4-76
Meter Packs—Tenant Circuit Breakers	V1-T4-88
Main Service Modules	V1-T4-89
Residential Meter Stacks	V1-T4-108
Commercial Meter Stack Modules	V1-T4-123
35MM, 37MM, 35SS and 37SS Tenant Main Circuit Breakers	
Product Selection	V1-T4-131
Phase Balanced Stack	V1-T4-132
Group Metering Inline Current Transformer Cabinets	V1-T4-133
Surge Metering	V1-T4-134
Group Metering Accessories	V1-T4-135

Product Selection

35MM, 37MM, 35SS and 37SS Main Tenant Circuit Breakers

Description	Number of Poles	Main Tenant Circuit Breaker Ampere Rating	10 kAIC	25 kAIC	42 kAIC	65 kAIC	100 kAIC
			Catalog Number	Catalog Number ^{①②}	Catalog Number ^{①②}	Catalog Number ^{①②}	Catalog Number ^{①②}
Bolt-On Type							
Bolt-on type circuit breakers used with 35MM and 35SS (single-phase modular metering stacks) ^{③④}	2	60	CCV2060X	CCVH2060X	CVS2060XMM	CV2060XMM	CVH2060XMM
	2	70	CCV2070X	CCVH2070X	CVS2070XMM	CV2070XMM	CVH2070XMM
	2	80	CCV2080X	CCVH2080X	CVS2080XMM	CV2080XMM	CVH2080XMM
	2	90	CCV2090X	CCVH2090X	CVS2090XMM	CV2090XMM	CVH2090XMM
	2	100	CCV2100X	CCVH2100X	CVS2100XMM	CV2100XMM	CVH2100XMM
	2	125	CCV2125X	CCVH2125X	CVS2125XMM	CV2125XMM	CVH2125XMM
	2	150	CCV2150X	CCVH2150X	CVS2150XMM	CV2150XMM	CVH2150XMM
	2	175	CCV2175X	CCVH2175X	CVS2175XMM	CV2175XMM	CVH2175XMM
	2	200	CCV2200X	CCVH2200X	CVS2200XMM	CV2200XMM	CVH2200XMM
	2	225	CCV2225X	CCVH2225X	CVS2225XMM	CV2225XMM	CVH2225XMM
Bolt-On Type							
Bolt-on type circuit breakers used with 37MM and 37SS (three-phase modular metering stacks) ^{③④}	3	60	EHD3060	CVS3060X	CVS3060X	CV3060X	CVH3060X
	3	70	EHD3070	CVS3070X	CVS3070X	CV3070X	CVH3070X
	3	80	EHD3080	CVS3080X	CVS3080X	CV3080X	CVH3080X
	3	90	EHD3090	CVS3090X	CVS3090X	CV3090X	CVH3090X
	3	100	CC3100X	CVS3100X	CVS3100X	CV3100X	CVH3100X
	3	125	CC3125X	CVS3125X	CVS3125X	CV3125X	CVH3125X
	3	150	CC3150X	CVS3150X	CVS3150X	CV3150X	CVH3150X
	3	175	CC3175X	CVS3175X	CVS3175X	CV3175X	CVH3175X
	3	200	CC3200X	CVS3200X	CVS3200X	CV3200X	CVH3200X
	3	225	CC3225X	CVS3225X	CVS3225X	CV3225X	CVH3225X

Notes

- ① #6–4/0 kcmil wire size range for CVS, CV and CVH tenant main circuit breakers. If #2–300 kcmil is needed, order **2TA225CVK** (two-pole) **3TA225CVK** (three-pole). One kit is needed per breaker.
- ② “MM” suffix provides mounting hardware needed for 1MP, 1MM and 3MM modular metering stacks only. Mounting hardware is not needed for use in 35MM and 35SS modular metering stacks, but is included as standard with breakers.
- ③ Retrofit tenant circuit breaker mounting kit (**37MMRCBK**) for installation of Type EHD and CV breakers. Needed only for stacks manufactured prior to February 2013. Order one kit per breaker.
- ④ Type EHD main tenant circuit breakers are also available from 15 to 50 A.

Phase Balanced Stack

Phase Balanced Stack

Product Description

Eaton’s Phase Balanced Stack allows for a complete phase balanced metering line-up using fewer stacks. With today’s electrical rooms becoming smaller, the need is greater than ever to offer space-saving metering products while providing a fully phase balanced system. The new phase balanced stack is the answer.

Today, achieving a phase balanced system when connected to a 208Y/120 Vac three-phase, four-wire system may require one or two additional 3MM meter modules. Standard 3MM meter stacks come factory connected to phases A and B. The new phase balanced stacks connect the two bottom meters to phases B and C and the top two or three meters to phases A and C. Using these new stacks with the AB phased 3MM metering, phase balancing is accomplished, and more compact than before.

Features

- Available in four- and five-high configurations at 125 A
- 200 A stacks available
- Available with 800 A aluminum bus and 1200 A copper bus
- Ring, ringless, ringless with horn bypass available
- Outdoor enclosure
- Dimensions same as existing 125 A, three-phase meter stacks

Contents

<i>Description</i>	<i>Page</i>
Systems for Residential and Commercial Applications	V1-T4-68
Meter Packs	V1-T4-76
Meter Packs—Tenant Circuit Breakers	V1-T4-88
Main Service Modules	V1-T4-89
Residential Meter Stacks	V1-T4-108
Commercial Meter Stack Modules	V1-T4-123
35MM, 37MM, 35SS and 37SS Tenant Main Circuit Breakers	V1-T4-130
Phase Balanced Stack	V1-T4-132
Group Metering Inline Current Transformer Cabinets	V1-T4-133
Surge Metering	V1-T4-134
Group Metering Accessories	V1-T4-135

Product Selection

Ordering Information

- Check with local utility for height restrictions
- Items loaded in VISTA
- If you have questions, please contact the Technical Resource Center 1-800-356-1243, option 3

Phase Balanced Stack

Amperes Per Meter Socket	Bus Ampacity	Meter Socket Cover	Catalog Number
125	800	Ring	3MM412RACBC
125	800	Ring	3MM512RACBC
125	800	Ringless	3MM412RRLACBC
125	800	Ringless	3MM512RRLACBC
125	800	Ringless horn bypass	3MM412RRLBACBC
125	800	Ringless horn bypass	3MM512RRLBACBC
125	1200	Ring	3MM412R2ACBC
125	1200	Ring	3MM512R2ACBC
125	1200	Ringless	3MM412R2RLACBC
125	1200	Ringless	3MM512R2RLACBC
125	1200	Ringless horn bypass	3MM412R2RLBACBC
125	1200	Ringless horn bypass	3MM512R2RLBACBC

Note: Local codes and utility requirements still apply. The phase balance stacks are not suitable for changing in the field.

Group Metering Inline Current Transformer Cabinets

Group Metering Inline Current Transformer Cabinets

Product Description

Eaton’s group metering inline current transformer (CT) cabinets are used when utilities require the use of current transformers to meter large services. These products are compatible with Eaton’s group metering offering for both single- and three-phase applications with tenant metering requirements greater than 400 A.

Features, Benefits and Functions

- Replaces separate termination box in installation to save wall space, labor and material for the contractor
- Compatible for utility-provided current transformers to be bolted in place, increasing flexibility to both the customer and utility
- Padlockable hinged doors restrict access to fuses or current transformers to ensure safety and security
- Available for pullout or fusible switch disconnect to accommodate the user’s preference
- Offered in three-phase in/ three-phase out, three-phase in / single-phase out, and single-phase in/ single-phase out to complete a full product line offering

Contents

<i>Description</i>	<i>Page</i>
Systems for Residential and Commercial Applications	V1-T4-68
Meter Packs	V1-T4-76
Meter Packs—Tenant Circuit Breakers	V1-T4-88
Main Service Modules	V1-T4-89
Residential Meter Stacks	V1-T4-108
Commercial Meter Stack Modules	V1-T4-123
35MM, 37MM, 35SS and 37SS Tenant Main Circuit Breakers	V1-T4-130
Phase Balanced Stack	V1-T4-132
Group Metering Inline Current Transformer Cabinets	V1-T4-133
Surge Metering	V1-T4-134
Group Metering Accessories	V1-T4-135

Product Selection

Group Metering Inline Current Transformer Cabinets

Ampere Rating	Pullout or Switch	Phase	Catalog Number
400	2 Pullouts	Single-phase in / single-phase out	CTAP3244NCM8CH11
400	2 Pullouts	Three-phase in / single-phase out	CTAP3244NCM8CH31
400	1 Pullout	Single-phase in / single-phase out	CTAP325NCM8CH11
400	1 Pullout	Three-phase in / single-phase out	CTAP325NCM8CH31
400	2 Pullouts	Three-phase in / three-phase out	CTAP4244NCM8CH
400	1 Pullout	Three-phase in / three-phase out	CTAP425NCM8CH
400	Switch	Single-phase in / single-phase out	CTAT325NCM8CH11
400	Switch	Three-phase in / single-phase out	CTAT325NCM8CH31
600	Switch	Single-phase in / single-phase out	CTAT326NCM8CH11
600	Switch	Three-phase in / single-phase out	CTAT326NCM8CH31
800	Switch	Single-phase in / single-phase out	CTAT327NCM8CH11
800	Switch	Three-phase in / single-phase out	CTAT327NCM8CH31
400	Switch	Three-phase in / three-phase out	CTAT425NCM8CH
600	Switch	Three-phase in / three-phase out	CTAT426NCM8CH
800	Switch	Three-phase in / three-phase out	CTAT427NCM8CH

Accessories

Group Metering Inline Current Transformer Cabinets

Description	Catalog Number
Wire harness (6 ft) per COMED requirements	9659
400 A C/T link and support assembly	CTL054550
600 A C/T link and support assembly	CTL054552
800 A C/T link and support assembly	CTL054554

Dimensions

Approximate Dimensions in Inches (mm)

Group Metering Inline Current Transformer Cabinets

Height	Width	Depth
64.00 (1625.6)	26.50 (673.1)	15.00 (381.0)

Surge Metering

4



Surge suppression devices shown are factory mounted in Group Metering Enclosure.

Surge Metering

Product Description

Eaton’s multiple metering product family is proud to announce the availability of main surge devices. The new main surge is mounted between the main service module and the meter stacks and serves the purpose of providing surge protection for downstream multiple metering products. The main surge is compatible with all meter stacks currently manufactured (1MM, 3MM, 35MM and 37MM).

Features, Benefits and Functions

- Uses thermally protected metal oxide varistor (MOV) technology
- Compatible with 37MM enclosure accessories
- Protection status indicator lights EMI/RFI filtering and audible alarms
- Offers surge protection for all units fed from a main service module

Standards and Certifications

- UL 1449 3rd Edition recognized component



Contents

Description

	<i>Page</i>
Systems for Residential and Commercial Applications	V1-T4-68
Meter Packs	V1-T4-76
Meter Packs—Tenant Circuit Breakers	V1-T4-88
Main Service Modules	V1-T4-89
Residential Meter Stacks	V1-T4-108
Commercial Meter Stack Modules	V1-T4-123
35MM, 37MM, 35SS and 37SS Tenant Main Circuit Breakers	V1-T4-130
Phase Balanced Stack	V1-T4-132
Group Metering Inline Current Transformer Cabinets	V1-T4-133
Surge Metering	V1-T4-134
Group Metering Accessories	V1-T4-135

Group Metering Accessories



Group Metering Accessories

These accessories are suited for the Group Metering product line. The products range from replacement parts, such as covers and sockets, to accessories that pair with the group metering lineup, such as elbows and spacers.








Contents

Description	Page
Systems for Residential and Commercial Applications	V1-T4-68
Meter Packs	V1-T4-76
Meter Packs—Tenant Circuit Breakers	V1-T4-88
Main Service Modules	V1-T4-89
Residential Meter Stacks	V1-T4-108
Commercial Meter Stack Modules	V1-T4-123
35MM, 37MM, 35SS and 37SS Tenant Main Circuit Breakers	V1-T4-130
Phase Balanced Stack	V1-T4-132
Group Metering Inline Current Transformer Cabinets	V1-T4-133
Surge Metering	V1-T4-134
Group Metering Accessories Product Selection	V1-T4-136

Product Selection

1MP, 1MM and 3MM Residential Modular Metering Stacks

4

	Description	Application	Catalog Number
Fifth Jaw Kit 	Fifth jaw kit	Bolted onto neutral in the 3, 6 or 9 o'clock position. Typically used on network metering systems (three-phase in/single-phase out) or when specified by utility company.	1MM5JK
	Isolated fifth jaw kit	Connects to the neutral with an insulated wire.	1MM5JKOP
Manual Bypass Kit 	Manual bypass kit (ring style socket only)	For use with 125 A sockets only. (Not top socket.)	1MMBPM125
		For use with 200 A sockets only. (Not top socket.)	1MMBPM200
		This kit only to be used for top position of two- and three-high 125 A 1MM and 3MM stacks and of 2, 5 and six-position 125 A 1MP packs.	1MMBPM125T
		This kit only to be used for top position of 200 A two-position 1MP packs.	1MMBPM200T
Horn Bypass Kit 	Horn bypass	Used only on ringless cover stacks, kits can be installed on 125 A or 200 A sockets. Note: For 1MP2122RRL use:	1MMBPH WCG8HB ①
	Meter bypass jumper	Installed on 125 A or 200 A sockets. Jumpers are plugged into jaws. Order Lexan® cover plate with bypass jumpers to prevent access to meter socket once energized. (Not UL listed.)	1MMBPJ
Lexan Blank Cover 	Lexan blank cover	Circular cover mounted on ring or ringless devices preventing access to meter socket while meter is not in place. Includes four plastic tabs that plug into each jaw.	1MMPCP
		Same as 1MMPCP minus the tabs located in the back to plug into jaws. This device to be used while meter bypass jumpers are in place (1MMBPJ).	1MMACP
Blank Meter Socket Cover 	Blank meter socket cover	Used for 125 A stacks. Fits bottom socket only. Kit replaces existing meter cover preventing access to meter socket. Includes hasp for seal.	1MMBC125B
		Used on 200 A stacks. Fits bottom socket only. Kit replaces existing meter cover preventing access to meter socket. Includes hasp for seal.	1MMBC200B
Wall Mounting Rail 	Wall mounting rail	Rails are 4 feet (1.2m) in length. Bolted on wall for stacks, packs and mains to be hung.	1MMWB
Bussed Spacer 	Bussed spacer	Bussed spacer 1200 A 4-inch (101.6 mm). Required when stacks are mounted on right-hand side in EUSERC areas. (copper)	3MMBSK ②
		Bus duct riser/meter center connection	Available in 400, 600, 800 A main fusible units only. Contact product line for details.

Notes

- ① WCG8HB only applies to meter packs built prior to 1998. Current meter packs use **1MMBPH**.
- ② Must be used when mounting MCB main next to an MTB main or another MCB main device.

1MP, 1MM and 3MM Modular Residential Metering Stacks, continued

	Description	Application	Catalog Number
Indoor Corner Elbow 	Indoor corner elbow (copper)	12-inch (304.8 mm) indoor corner elbow, 1200 A, three-phase, four-wire for use with 1MM and 3MM only. Do not use with 35MM, 37MM, 35SS or 37SS stacks. 12-inch corner elbow not EUSERC approved.	3MMEB12
	Indoor corner elbow (copper)	16-inch (406.4 mm) indoor corner elbow, 1200 A, three-phase, four-wire for use with 1MM, 3MM, 35MM, 37MM, 35SS and 37SS.	3MMEB16
	Barrier	Barrier for individual sockets	1MMBK
Meter Jumper and Cover 	Meter jumper and cover	Combination meter jumper and cover (200 A maximum). Used to jumper line and load jaws as well as cover meter socket preventing exposure to current carrying parts.	1MMJCK
	Lug block	125 A two-pole lug block assembly.	BRSF125
Standard Sealing Ring 	Sealing ring	Stainless steel screw type with brass screw	1MMSR1
		Standard (included with packs and stacks) ①	1MMSR2
		Stainless steel screw type with cast zinc screw	1MMSR4
		Aluminum screw type with locking provisions	1MMSR5
Top endwall	Top endwall	125 A, NEMA 1 top end wall with knockouts for 1MM, 3MM meter stacks	MM12N1WLK
		200 A, NEMA 1 top end wall for 1MM, 3MM meter stacks	MM20N1WLK
Barrel Lock Kit 	Barrel lock kit	Needed when using barrel lock security, Main tenant feeders can exit bottom or back. Knockouts are available at all exit locations.	3MMBLKIT

Note

① Aluminum snap type.

Renewal Parts for Residential Modular Metering Stacks

1MP, 1MM and 3MM Replacement Parts

	Description	Application	Catalog Number	
Ringless Cover 	Ringless cover (can install this to go from ring to ringless)	Installed on 125 A socket for ringless security	1MMRC125	
		Installed on 200 A socket for ringless security	1MMRC200	
		For use with top position of 125 A, two- and three-position, 1MM and 3MM stacks and two-, five- and six-position 1MP packs	1MMRC125T	
		Top-position two position IMP	1MMRC200T	
Ring Cover 	Ring cover	Installed on 125 A socket for ring security	1MMCP1	
		Installed on 200 A socket for ring security	1MMCP2	
		Top socket ring cover 125 A	1MMCP1T	
		Top socket ring cover 200 A	1MMCP2T	
Tenant Breaker Cover 	Tenant breaker hinged cover	125 A cover	1MMBC1	
		200 A cover	1MMBC2	
Meter Socket 	Meter socket ①	125 and 200 A	1MMMS	
		Busbar end cap	Flat—left side	47-24139A
			Bump—right side	47-28172-2A
		Main circuit breaker cover kit (black)		49-7060


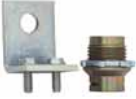





Notes

① Meter Packs **1MP2122RRL** and **1MP2122RRLB** use different meter sockets.

See Renewal Parts listing RP.32A.01A.T.E for details.

See **RP00501001E** for a complete Renewal Parts listing.

Accessories for 35MM and 37MM Commercial Modular Metering Stacks





	Description	Application	Catalog Number
	Wall mounting rail	Rails are 4 feet (1.2m) in length. Bolted on wall for stacks, packs and mains to be hung.	1MMWB
	Indoor corner elbow (copper)	16-inch (406.4 mm) indoor corner elbow, 1200 A, three-phase, four-wire for use with 1MM, 3MM, 35MM, 37MM, 35SS and 37SS.	3MMEB16
Handle Insulator	Handle insulator	Each meter block includes a lever bypass. This kit includes the sleeve which slides onto the lever handle.	37MMHC
			
Barrel Lock Bracket Kit	Barrel lock bracket kit	Needed when using barrel lock security.	37MMBLK
			
Totalizing Jumper Kit	Totalizing jumper kit	Used if one socket is to meter two tenant feeds. When ordering jumper kit, should also order a plastic cover plate (1MMPCP + IMMJCK) preventing access to live parts on unused socket.	37MMTJK
			
Type EHD and CV Breaker Retrofit Mounting Kit	Type EHD and CV breaker retrofit mounting kit	Retrofit mounting hardware for installation of Type EHD and CV breakers in 35MM, 37SS, 37MM and 37SS meter stacks manufactured prior to February 2013. Order one kit per breaker.	37MMRCBK
			
Type CV Breaker Mounting Kit	Type CV breaker mounting kit	Replacement Type CV breaker mounting hardware kit. Used in 200 A 1MP/1MM/3MM modular metering stacks at 42, 65 and 100 kAIC.	1MMCBK
			
Blank Cover Kit	Blank cover kit	Kit replaces meter cover preventing access to socket.	37MMCK ^①
			37MMCKA ^②
Three-Phase to Single-Phase Conversion Kit	Barrier	Barrier for individual sockets	37MMBK
	Three-Phase to single-phase conversion kit	This kit will convert one three-phase meter socket (37MM devices) to a single-phase socket. Only needed if phasing A-C or C-B. If single-phase socket is to be phased A-B, kit is not required for field conversion. (Must use three-phase breaker.)	37MM1CK
	Bus duct riser/meter center connection	Available in 400, 600, 800 A Main fusible units and 400, 600, 800, 1000, 1200 main circuit breaker. Contact product line for details.	—
	Anti-inversion clip	This clip should be inserted into upper right hand jaw of a 320 A meter socket. The purpose is prevent a 200 A meter from being inserted into a 320 A meter socket.	37MMINVCLIP

Notes

- ① For all units made 10/2002 and earlier.
- ② For all units made after 11/2002.

Renewal Parts for Commercial Modular Metering Stacks

35MM and 37MM Modular Metering Stacks

	Description	Application	Catalog Number
35MM Replacement Meter Socket 	35MM replacement meter socket	To replace meter socket with lever bypass and jaw release.	MSLMSA1
	37MM replacement meter socket	To replace meter socket with lever bypass and jaw release.	MSLMSA2
37SS Replacement Meter Socket 	35SS replacement meter socket	To replace meter socket with test bypass disconnect feature	MSTMSA1
	37SS replacement meter socket	To replace meter socket with test bypass disconnect feature	MSTMSA2
	Safety socket meter cover assembly	To replace ring type cover over the meter prior to 7/1/02.	MSTMCVR1
	Safety socket meter cover assembly	To replace ring type cover over the meter after 7/1/02	MSTMCVR1E
Meter Cover Assembly 	35MM and 37MM meter cover assembly	Prior to 12/1/02	37MMSK
		After 12/1/02	37MMSK1
	Meter cover assembly with NJ latch	To replace ringless cover over the meter. Includes New Jersey latch requirement.	37MMSKNJ
Tenant Breaker Hinged Cover 	Tenant breaker hinged cover	To replace cover over tenant breakers.	1MMBC2
	Busbar end cap	Flat—left side	47-24139A
		Bump—right side	47-28172-2A
	Main circuit breaker cover/CIT (black)		49-7060

Note

See **RP.32A.01.T.E** for a complete Renewal Parts listing.

1MPLK3



Main Lug Selection—Field-Installed Lugs for 400 or 600 A Main Bus
(For use with Meter Packs only)

Line Lug and Wire Sizes
Order Separately and Field Install

Line Lug Kit Catalog Number
Order Three Kits
(For Two Lines and Neutral)

(1) #6–600 kcmil or (2) 2/0–250 kcmil	1MPLK1
(2) 250–500 kcmil	1MPLK3
(3) #4–300 kcmil	1MPLK4 ①
(1) 750 kcmil	1MPLK2 ②
Crimp lug landing pad 250–750 kcmil	1MPSC1 ①

Field Installable Lug Kits for 1MM and 3MM Tenant Main Circuit Breakers
(For use with Residential Meter Stacks to account for bigger wire sizes)

BR40LUG



Description	Catalog Number
4/0 Lug adapter—accommodates 3/0–4/0	BR40LUG

BR40NEU



4/0 Neutral bar adapter—accommodates #1–4/0	BR40NEU
Up-sized ground bar kit	1MMGBK
Two-pole 300 kcmil with terminal shield	2TA225CVK
Three-pole 300 kcmil with terminal shield	3TA225CVK
Replacement mounting hardware kit for 200 A 1MP, 1MM and 3MM units	1MMCBK

Wire Sizes—Neutral and Ground Lugs

Description	Wire Size, Al/Cu	Catalog Number
Neutral—125 A meter pack	#6–2/0	—
Neutral—200 A meter pack	#1/0–300 kcmil	—
Equipment ground bar—125 A meter pack	#14–#2	—
Equipment ground bar—200 A meter pack	#14–2/0	—
Optional ground bar	#6–2/0	1MMGBK

BR40LUG Compatibility Chart

Type	60 A	70 A	80 A	90 A	100 A	110 A	125 A
BR	—	—	—	—	—	BR2110	BR2125
BRH	—	—	—	—	—	BRH2110	BRH2125
BRHX	—	—	—	—	—	BRHX2110	BRHX2125
BRHH	—	—	—	—	—	BRHH2110	BRHH2125
BRX	BRX260	BRX270	BRX280	BRX290	BRX2100	BRX2110	BRX2125

Other Notes for Lug Kits

Notes: The lug adapter kit can be used in 1MM and 3MM 3- through 6-socket 125 A modular metering stacks. Only intended for use in bottom- and rear-feed applications. Four adapters can be used per meter stack.

Notes

① This kit comes with three pads for two lines and neutral. Each pad will accept one or two crimp lugs. Cannot be used on **1MP2122R**, **RL**, **RC** and **RLB** EUSERC underground termination.

② This lug is not UL listed.

Each stack includes a neutral and ground bar. If an extra ground bar is needed, order **1MMGBK**.