

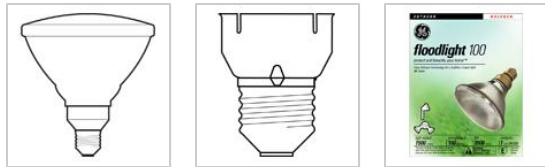
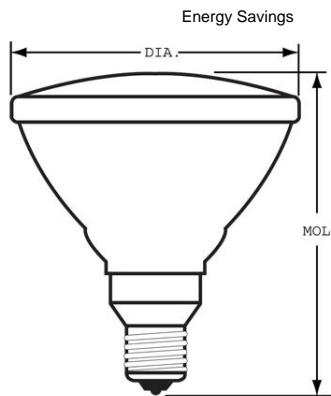


GE  
Lighting

## 17986 - 100PAR/H/FL25

### GE energy-efficient halogen 100 watt PAR38 floodlight 1-pack

- GE energy-efficient halogen bulbs deliver crisp, white light. This unsurpassed light quality is ideal for adding depth, drama and interest to any outdoor space. These GE energy-efficient halogen floodlights use less energy than standard halogen bulbs, saving money on energy. GE energy-efficient halogen floodlights feature lenses designed to provide a precise beam pattern, dispensing broad beams of crisp, white light on your home's exterior and landscaping. Designed with a unique all-weather construction, they withstand harsh weather conditions better than regular bulbs. Use these bulbs in outdoor stake light and security fixtures and create a dramatic effect
- Designed with a unique all-weather construction, they withstand harsh weather conditions better than regular bulbs.
- Uses Halogen technology for a brighter, crisper light
- GE's Floodlights cast a wider beam that adds drama to driveways and yards.
- Estimated yearly energy costs \$12.05 based on 3 hours per day \$0.11 per kWh
- Lasts 1.8 years based on 3 hours per day usage
- PAR38 outdoor floodlight with medium base for use in security and wet rated fixtures



### CAUTIONS & WARNINGS

#### Caution

- Lamp may shatter and cause injury if broken
  - Do not use lamp if outer glass is scratched or broken.

#### Warning

- Risk of Burn
  - Allow lamp to cool before handling.
- Pressurized lamp--unexpected rupture may cause injury, fire, or property damage
  - Do not use lamp if outer glass is scratched or broken.
- Risk of Fire
  - Keep combustible materials away from lamp.
- Risk of Electric Shock
  - Turn power off before inspection, installation or removal.

### GENERAL CHARACTERISTICS

Lamp Type	Halogen - PAR
Bulb	PAR38
Base	Medium Skirt (E26/50x39)
Filament	CC-8
Rated Life	2000.0 hrs
Primary Application	Yard Stake; Indoor and outdoor Floodlight

### PHOTOMETRIC CHARACTERISTICS

Initial Lumens	1500.0
Center Beam Candlepower (CBCP)	5000.0
Color Temperature	2900.0 K
Beam Spread	25.0 °
Nominal Initial Lumens per Watt	15

### ELECTRICAL CHARACTERISTICS

Wattage	100.0
Voltage	120.0

### DIMENSIONS

Maximum Overall Length (MOL)	5.3130 in(135.0 mm)
Bulb Diameter (DIA)	4.750 in(120.6 mm)

### PRODUCT INFORMATION

Product Code	17986
Description	100PAR/H/FL25
Standard Package	Case
Standard Package GTIN	10043168179864
Standard Package Quantity	6
Sales Unit	Unit
No Of Items Per Sales Unit	1
No Of Items Per Standard Package	6
UPC	043168179867

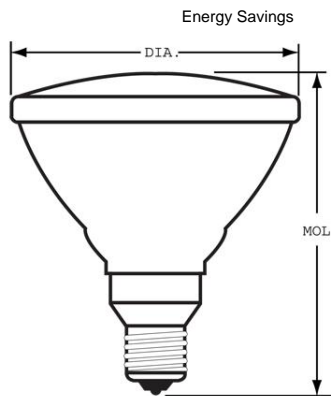


GE  
Lighting

## 17986 - 100PAR/H/FL25

### GE energy-efficient halogen 100 watt PAR38 floodlight 1-pack

- GE energy-efficient halogen bulbs deliver crisp, white light. This unsurpassed light quality is ideal for adding depth, drama and interest to any outdoor space. These GE energy-efficient halogen floodlights use less energy than standard halogen bulbs, saving money on energy. GE energy-efficient halogen floodlights feature lenses designed to provide a precise beam pattern, dispensing broad beams of crisp, white light on your home's exterior and landscaping. Designed with a unique all-weather construction, they withstand harsh weather conditions better than regular bulbs. Use these bulbs in outdoor stake light and security fixtures and create a dramatic effect
- Designed with a unique all-weather construction, they withstand harsh weather conditions better than regular bulbs.
- Uses Halogen technology for a brighter, crisper light
- GE's Floodlights cast a wider beam that adds drama to driveways and yards.
- Estimated yearly energy costs \$12.05 based on 3 hours per day \$0.11 per kWh
- Lasts 1.8 years based on 3 hours per day usage
- PAR38 outdoor floodlight with medium base for use in security and wet rated fixtures



### CAUTIONS & WARNINGS

#### Caution

- Lamp may shatter and cause injury if broken
  - Do not use lamp if outer glass is scratched or broken.

#### Warning

- Risk of Burn
  - Allow lamp to cool before handling.
- Pressurized lamp--unexpected rupture may cause injury, fire, or property damage
  - Do not use lamp if outer glass is scratched or broken.
- Risk of Fire
  - Keep combustible materials away from lamp.
- Risk of Electric Shock
  - Turn power off before inspection, installation or removal.

### GENERAL CHARACTERISTICS

Lamp Type	Halogen - PAR
Bulb	PAR38
Base	Medium Skirt (E26/50x39)
Filament	CC-8
Rated Life	2000.0 hrs
Primary Application	Yard Stake; Indoor and outdoor Floodlight

### PHOTOMETRIC CHARACTERISTICS

Initial Lumens	1500.0
Center Beam Candlepower (CBCP)	5000.0
Color Temperature	2900.0 K
Beam Spread	25.0 °
Nominal Initial Lumens per Watt	15

### ELECTRICAL CHARACTERISTICS

Wattage	100.0
Voltage	120.0

### DIMENSIONS

Maximum Overall Length (MOL)	5.3130 in(135.0 mm)
Bulb Diameter (DIA)	4.750 in(120.6 mm)

### PRODUCT INFORMATION

Product Code	17986
Description	100PAR/H/FL25
Standard Package	Case
Standard Package GTIN	10043168179864
Standard Package Quantity	6
Sales Unit	Unit
No Of Items Per Sales Unit	1
No Of Items Per Standard Package	6
UPC	043168179867