



Catalog Number: 10104-SC1-NK
Item Description: N1 SCREW COVER ENCL NK
UPC Code: 784572100183

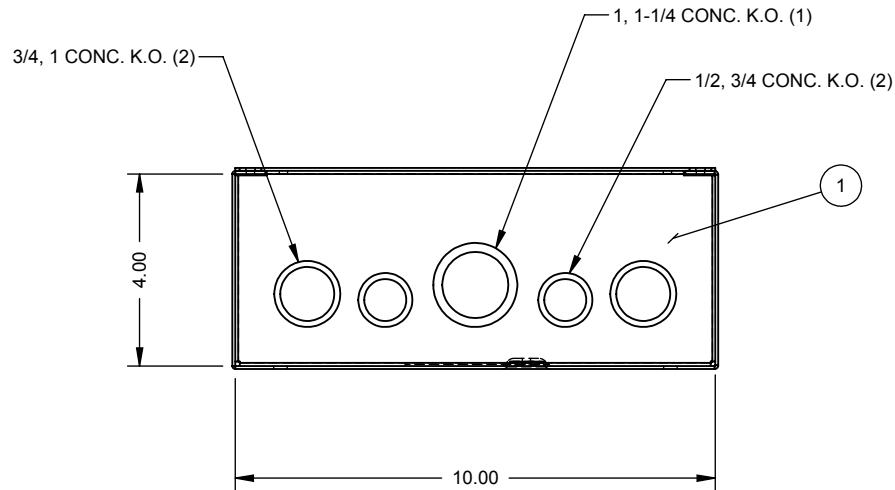
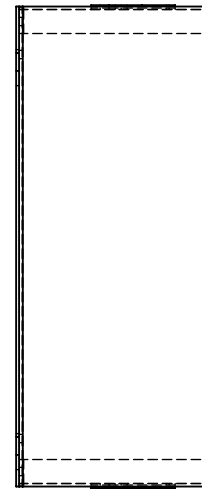
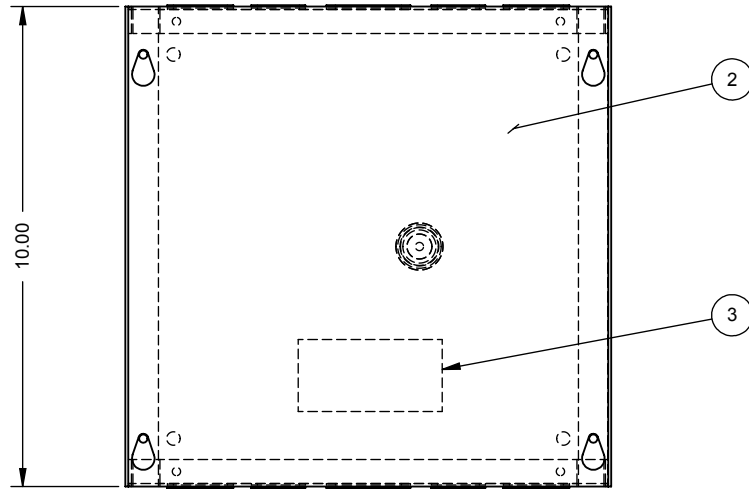
Brand Name: Milbank
Type: Screw Cover
Special Features: Cover Secured with Plated Screws
Application: Enclosure for Mounting Electrical Equipment
Standard: UL Listed
Number Of Outlet: 0
Material: Steel with Powder Coat Finish
Color: ANSI 61 Gray
Mounting: Wall Mount
NEMA Rating: Type 1



Utility requirements may vary. Always consult the serving utility for their requirements prior to ordering or installing this equipment. This product must always be installed by a licensed electrician. Installation of this equipment may require local electrical inspector approval.


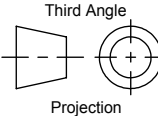
CATALOG NO.	LABEL NO.
10104-SC1-()	1002135
RC-10104-SC1-()	1125021
SPSC-10104()	1132714

ITEM	QTY.	PART NUMBER	DESCRIPTION
1	1	(SEE CHART)	BACK WELDMENT
2	1	(SEE CHART)	COVER PLATE
3	1	(SEE CHART)	U/L LISTING LABEL
4	1	1002646	BAG ASSY, SCREWS (NOT SHOWN)
5	1	1002475	BAG ASSY (GROUND SCREW)
6	0.33	1002933	CARTON (NOT SHOWN)



SUFFIX	FINISH	WELDMNT NO.	COVER NO.	INSTALL KOs
NONE	MILBANK LIGHT GRAY	1155370	1155373	YES
-NP	NONE	1155371	1011788	
-NK	MILBANK LIGHT GRAY	1155372	1155373	NO
-NK-NP	NONE	1011178	1011788	

NOTES:
 1.) BAG ASSY TO BE SHIPPED INSIDE OF EACH ENCLOSURE.
 2.) WHEN SOLD WITH "R" PREFIX, APPLY STANDARD CARTON LABEL SHOWING QUANTITY OF 1 TO THE WRAPPING OF EACH UNIT. APPLY STANDARD CARTON LABEL TO CARTON SHOWING QUANTITY OF 3.

Material:	16 GA.	 General Offices: Kansas City, MO
Finish:	MILBANK LIGHT GRAY	
Tolerances: Unless Specified Otherwise X.X ±.1 X.XX ±.03 X.XXX ±.015 X° ±2°		Title: 10104 SCREW COVER TYPE 1 ENCLOSURE Catalog No.: (SEE CHART) Customer: MILBANK STANDARD Drawing No.: 1001508
Scale:	NTS	Third Angle Projection 
Drawn By:	DY	Checked By: Approved By: Date: 04/26/01
NOTE 2: "THE WRAPPING" WAS "SHRINK WRAP" (ECO #22340)		Sheet 1 of 1

E2	5/16/12	NOTE 2: "THE WRAPPING" WAS "SHRINK WRAP" (ECO #22340)	D.F.		
----	---------	-------------------------------------------------------	------	--	--