



Catalog Number: 10106-SC1-NK  
Item Description: N1 SCREW COVER ENCL NK  
UPC Code: 784572100312

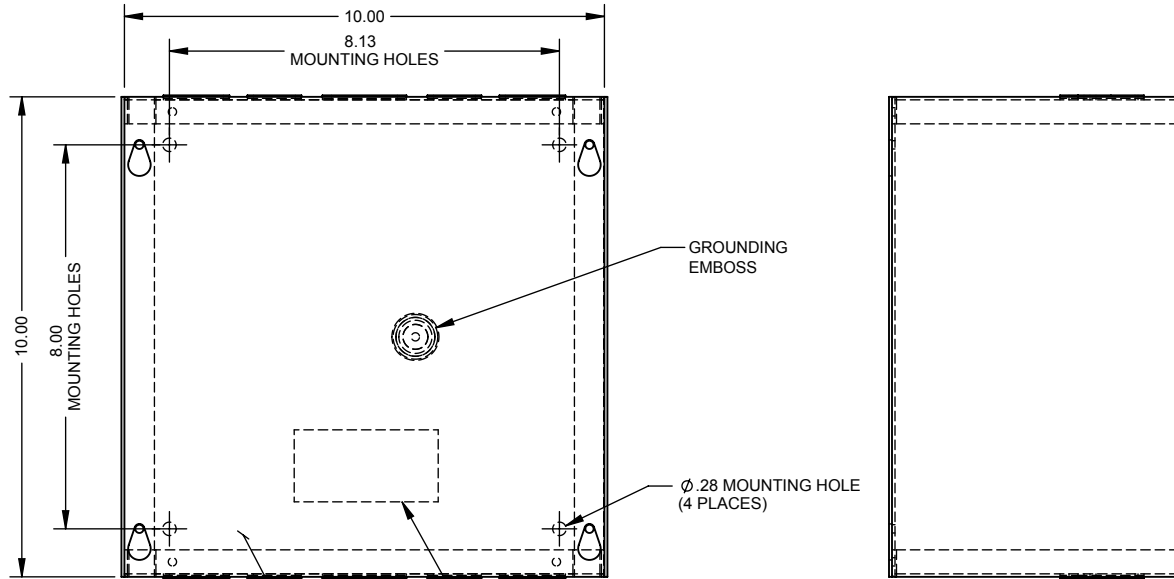
Brand Name: Milbank  
Type: Screw Cover  
Special Features: Cover Secured with Plated Screws  
Application: Enclosure for Mounting Electrical Equipment  
Standard: UL Listed  
Number Of Outlet: 0  
Material: Steel with Powder Coat Finish  
Color: ANSI 61 Gray  
Mounting: Wall Mount  
NEMA Rating: Type 1



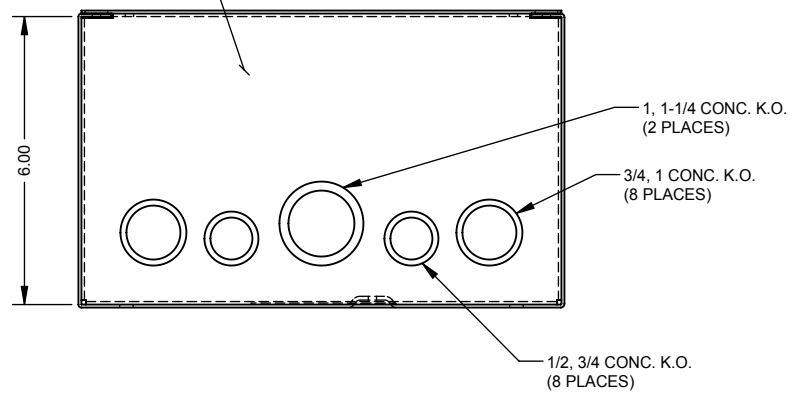
*Utility requirements may vary. Always consult the serving utility for their requirements prior to ordering or installing this equipment. This product must always be installed by a licensed electrician. Installation of this equipment may require local electrical inspector approval.*

CATALOG#	LABEL#
10106-SC1	1002135
RC-10106-SC1(-)	1125021
SPSC-10106(-)	1132714

ITEM	QTY.	PART NUMBER	DESCRIPTION
1	1	(SEE CHART)	BACK WELDMENT
2	1	(SEE CHART)	COVER PLATE
3	1	1002646	BAG ASSY, SCREWS (NOT SHOWN)
4	1	(SEE CHART)	U/L LISTING LABEL
5	1	1002475	BAG ASSY (GROUND SCREW)
6	0.5	1002933	CARTON (NOT SHOWN)



1  
2  
4  
(APPLY INSIDE BACK)




**NOTE:**  
1. PLACE BAG ASS'Y INSIDE ENCLOSURE (NOT SHOWN).

SUFFIX	FINISH	INSTALL KOs	WELDMENT NO.	PLATE NO.
NONE	MILBANK LIGHT GRAY	YES	1156283	1155373
-NK		NO	1156284	
-NP	NONE	YES	1156285	1011788
-NK-NP		NO	1156286	

NEMA DWG.: #130

C4	11/10/11	CHART VERSIONS (ECO #21561)	DF			
C5	9/10/12	ADD CARTON TO BOM (ECO #22903)	DF			

Material:		 General Offices: Kansas City, MO	
Finish:	MILBANK LIGHT GRAY		
Tolerances: Unless Specified Otherwise X.X ±.1 X.XX ±.03 X.XXX ±.015 X° ±2°		Title: 10106 SCREW COVER TYPE 1 ENCLOSURE Catalog No.: (SEE CHART) Customer: MILBANK STANDARD Drawing No.: <b>1001538</b>	
Scale:	NTS	Checked By:	Date:
Drawn By:	DY	Approved By:	04/26/01 Sheet 1 of 1



Catalog Number: 10106-SC1-NK  
Item Description: N1 SCREW COVER ENCL NK  
UPC Code: 784572100312

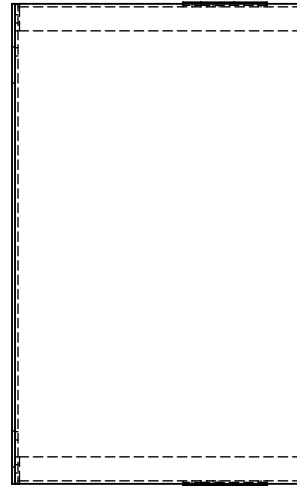
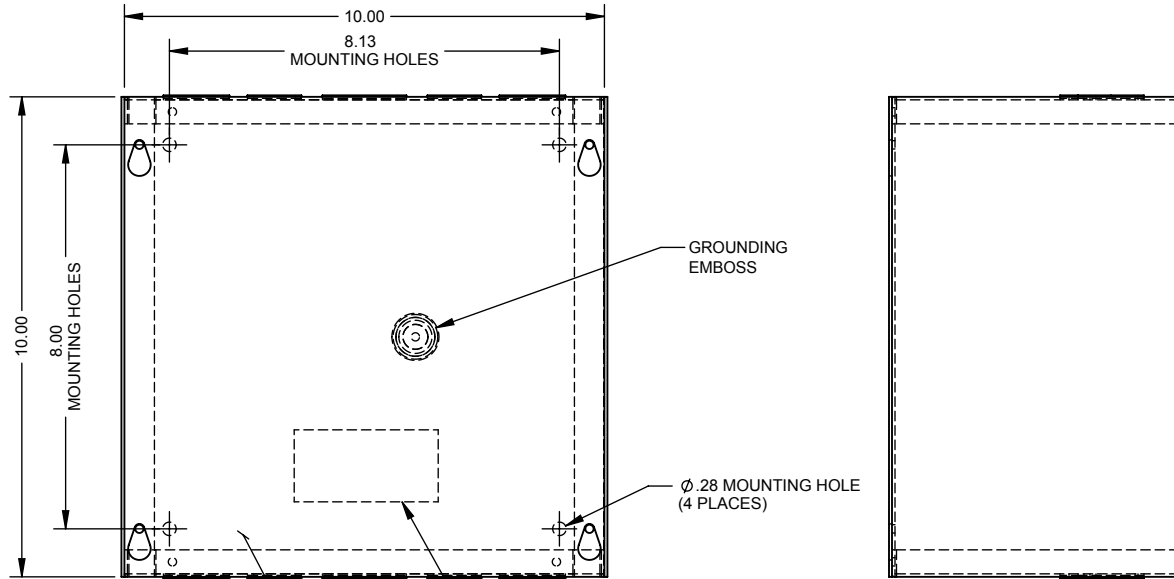
Brand Name: Milbank  
Type: Screw Cover  
Special Features: Cover Secured with Plated Screws  
Application: Enclosure for Mounting Electrical Equipment  
Standard: UL Listed  
Number Of Outlet: 0  
Material: Steel with Powder Coat Finish  
Color: ANSI 61 Gray  
Mounting: Wall Mount  
NEMA Rating: Type 1



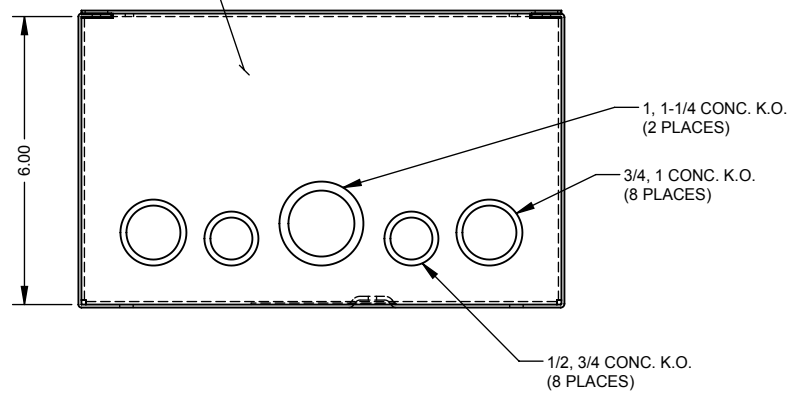
*Utility requirements may vary. Always consult the serving utility for their requirements prior to ordering or installing this equipment. This product must always be installed by a licensed electrician. Installation of this equipment may require local electrical inspector approval.*

CATALOG#	LABEL#
10106-SC1	1002135
RC-10106-SC1(-)	1125021
SPSC-10106(-)	1132714

ITEM	QTY.	PART NUMBER	DESCRIPTION
1	1	(SEE CHART)	BACK WELDMENT
2	1	(SEE CHART)	COVER PLATE
3	1	1002646	BAG ASSY, SCREWS (NOT SHOWN)
4	1	(SEE CHART)	U/L LISTING LABEL
5	1	1002475	BAG ASSY (GROUND SCREW)
6	0.5	1002933	CARTON (NOT SHOWN)




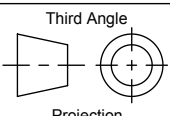
1  
2  
4  
(APPLY INSIDE BACK)



**NOTE:**  
1. PLACE BAG ASS'Y INSIDE ENCLOSURE (NOT SHOWN).

SUFFIX	FINISH	INSTALL KOs	WELDMENT NO.	PLATE NO.
NONE	MILBANK LIGHT GRAY	YES	1156283	1155373
-NK		NO	1156284	
-NP	NONE	YES	1156285	1011788
-NK-NP		NO	1156286	

NEMA DWG.: #130

Material:		 General Offices: Kansas City, MO	
Finish:	MILBANK LIGHT GRAY	Title:	10106 SCREW COVER TYPE 1 ENCLOSURE
Tolerances: Unless Specified Otherwise X.X ±.1 X.XX ±.03 X.XXX ±.015 X° ±2°		Catalog No.:	(SEE CHART)
 Third Angle Projection		Customer:	MILBANK STANDARD
Scale:	NTS	Drawing No.:	<b>1001538</b>
Drawn By:	DY	Date:	04/26/01 Sheet 1 of 1

C4	11/10/11	CHART VERSIONS (ECO #21561)	DF			
C5	9/10/12	ADD CARTON TO BOM (ECO #22903)	DF			