



Catalog Number: 121248-GSC1-NK
Item Description: N1 SCREW CVR GUTTER NK
UPC Code: 784572101265

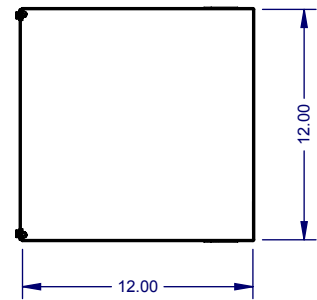
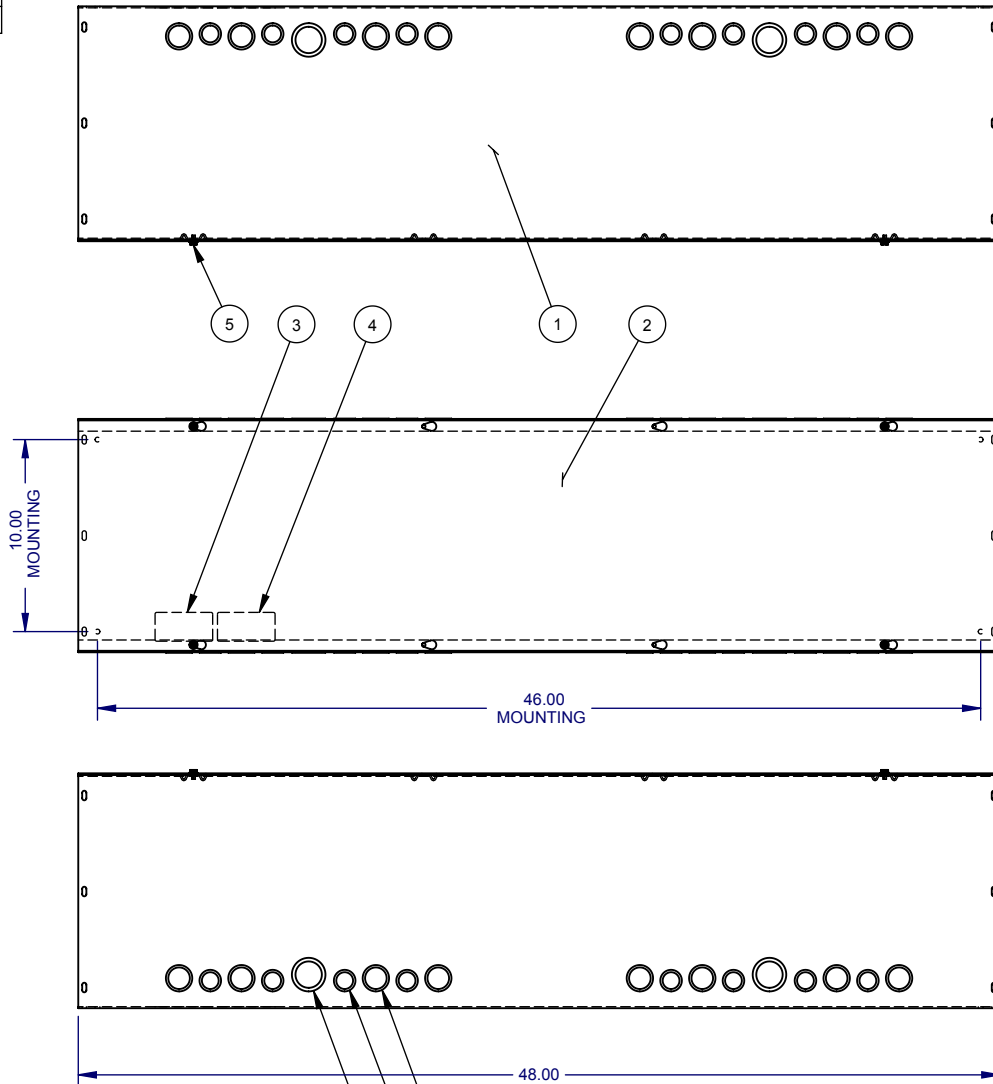
Brand Name: Milbank
Type: Lay In Wireway
Application: Wireway
Standard: UL Listed, Type 1
Cover Type: Screw Cover
Enclosure: Indoor Enclosure
Nominal Cross Section: 12x12
Straight Section Length: 48
Material: Steel with Powder Coat Finish
Finish: ANSI 61 Gray
Knockouts: False



Utility requirements may vary. Always consult the serving utility for their requirements prior to ordering or installing this equipment. This product must always be installed by a licensed electrician. Installation of this equipment may require local electrical inspector approval.


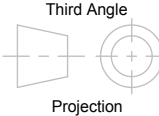
CATALOG NO.	LABEL NO.
121248-GSC1(-)	1002943
RC-121248-GSC1(-)	1125051
SPS-12124N	1132575

NO.	QTY.	PART NO.	DESCRIPTION
1	1	(SEE CHART)	BACK
2	1	(SEE CHART)	PLATE/COVER
3	1	(SEE CHART)	UL LABEL, WIREWAY
4	1	1002923	LABEL, RATING
5	4	1001290	SCREW, 10-32 X 5/16
6	4	1002880	BAG ASSY (NOT SHOWN)



C.R.S. CHART				
SUFFIX	FINISH	BACK NO.	PLATE NO.	INSTALL KOs
NONE	MILBANK LIGHT GRAY	1129279	1111185	YES
-NP	NONE	1129278	1002307	YES
-NK	MILBANK LIGHT GRAY	1129280	1111185	NO
-NK-NP	NONE	1001430	1002307	NO
GALV. CHART				
NONE	MILBANK LIGHT GRAY	1164567	1164569	YES
-NP	NONE	1001431	1011835	YES
-NK	MILBANK LIGHT GRAY	1164568	1164569	NO
-NK-NP	NONE	1010705	1011835	NO

NOTE:
1. PLACE BAG ASSY INSIDE ENCLOSURE. (NOT SHOWN)

Material:	14 GA. - SEE CHART	 General Offices: Kansas City, MO
Finish:	SEE CHART	
Tolerances: Unless Specified Otherwise X.X ±.1 X.XX ±.03 X.XXX ±.015 X° ±2°		Title: SCREW COVER WIREWAY 12 x 12 x 48, TYPE 1 NEMA ENCLOSURE
 Third Angle Projection		Catalog No.: (SEE CHART) Customer: MILBANK STANDARD
Scale: NTS Drawn By: DY Checked By: Approved By:		Drawing No.: 1001584 Date: 03/19/02 Sheet 1 of 1

NEMA DWG.: #265

D	8-29-07	ADDED BACK & COVER CHART ECO. 15946	DL	D2	6/16/11	UPDATE PICTORIAL (ECO #20842)	D.F.	Scale:	NTS	Checked By:	Drawing No.:	1001584	
D1	4/25/08	ADDED CHART & REMOVED NOTE #2(ECO.17139)	JLT	D3	5/1/13	CHART VERSIONS (ECO #23875)	D.F.	Drawn By:	DY	Approved By:	Date:	03/19/02	Sheet 1 of 1



Catalog Number: 121248-GSC1-NK
Item Description: N1 SCREW CVR GUTTER NK
UPC Code: 784572101265

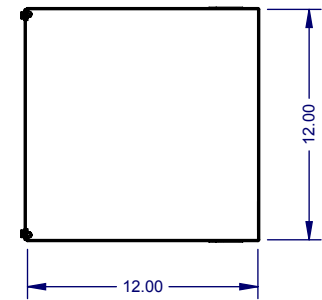
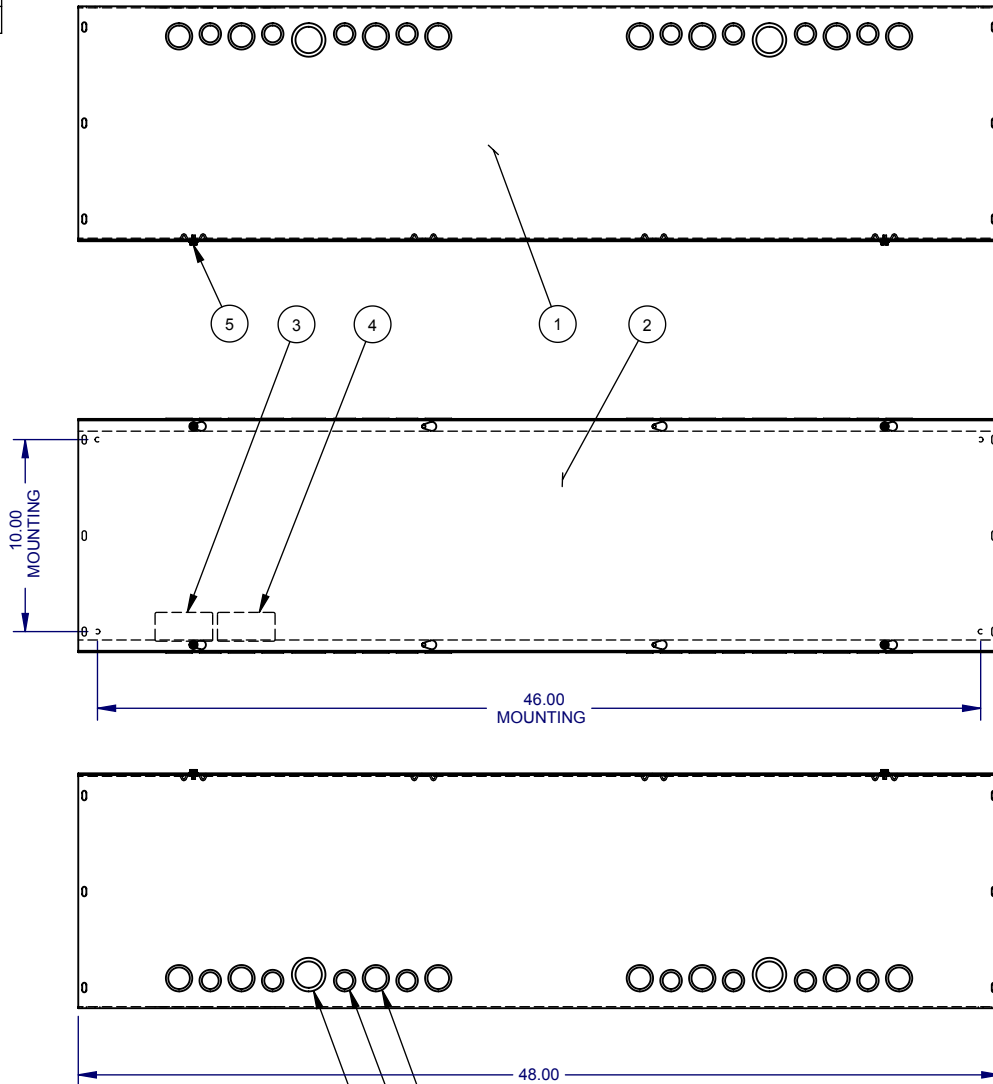
Brand Name: Milbank
Type: Lay In Wireway
Application: Wireway
Standard: UL Listed, Type 1
Cover Type: Screw Cover
Enclosure: Indoor Enclosure
Nominal Cross Section: 12x12
Straight Section Length: 48
Material: Steel with Powder Coat Finish
Finish: ANSI 61 Gray
Knockouts: False



Utility requirements may vary. Always consult the serving utility for their requirements prior to ordering or installing this equipment. This product must always be installed by a licensed electrician. Installation of this equipment may require local electrical inspector approval.

CATALOG NO.	LABEL NO.
121248-GSC1(-)	1002943
RC-121248-GSC1(-)	1125051
SPS-12124N	1132575

NO.	QTY.	PART NO.	DESCRIPTION
1	1	(SEE CHART)	BACK
2	1	(SEE CHART)	PLATE/COVER
3	1	(SEE CHART)	UL LABEL, WIREWAY
4	1	1002923	LABEL, RATING
5	4	1001290	SCREW, 10-32 X 5/16
6	4	1002880	BAG ASSY (NOT SHOWN)


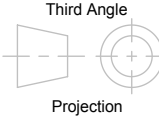


C.R.S. CHART				
SUFFIX	FINISH	BACK NO.	PLATE NO.	INSTALL KOs
NONE	MILBANK LIGHT GRAY	1129279	1111185	YES
-NP	NONE	1129278	1002307	YES
-NK	MILBANK LIGHT GRAY	1129280	1111185	NO
-NK-NP	NONE	1001430	1002307	NO
GALV. CHART				
NONE	MILBANK LIGHT GRAY	1164567	1164569	YES
-NP	NONE	1001431	1011835	YES
-NK	MILBANK LIGHT GRAY	1164568	1164569	NO
-NK-NP	NONE	1010705	1011835	NO

NOTE:
1. PLACE BAG ASSY INSIDE ENCLOSURE. (NOT SHOWN)

- 3/4, 1 CONC. K.O.
16 PL
- 1/2, 3/4 CONC. K.O.
16 PL
- 1, 1-1/4 CONC. K.O.
4 PL

NEMA DWG.: #265

Material:	14 GA. - SEE CHART	 General Offices: Kansas City, MO
Finish:	SEE CHART	
Tolerances: Unless Specified Otherwise X.X ±.1 X.XX ±.03 X.XXX ±.015 X° ±2°		Title: SCREW COVER WIREWAY 12 x 12 x 48, TYPE 1 NEMA ENCLOSURE
 Third Angle Projection		Catalog No.: (SEE CHART) Customer: MILBANK STANDARD
Scale:	NTS	Drawing No.: 1001584
Checked By:		Date: 03/19/02
Drawn By:	DY	Sheet 1 of 1

D	8-29-07	ADDED BACK & COVER CHART ECO. 15946	DL	D2	6/16/11	UPDATE PICTORIAL (ECO #20842)	D.F.
D1	4/25/08	ADDED CHART & REMOVED NOTE #2(ECO.17139)	JLT	D3	5/1/13	CHART VERSIONS (ECO #23875)	D.F.