



Catalog Number: 12124-SC1-NK
Item Description: N1 SCREW COVER ENCL NK
UPC Code: 784572101159

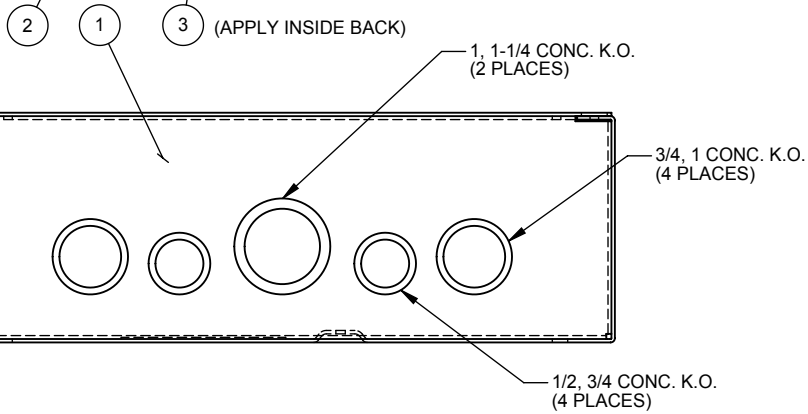
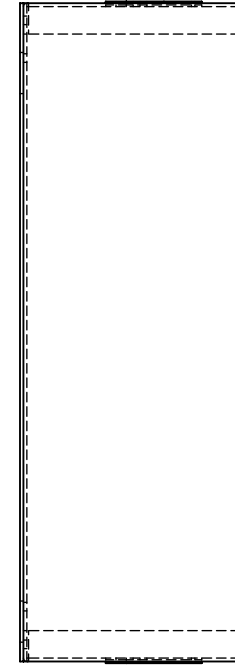
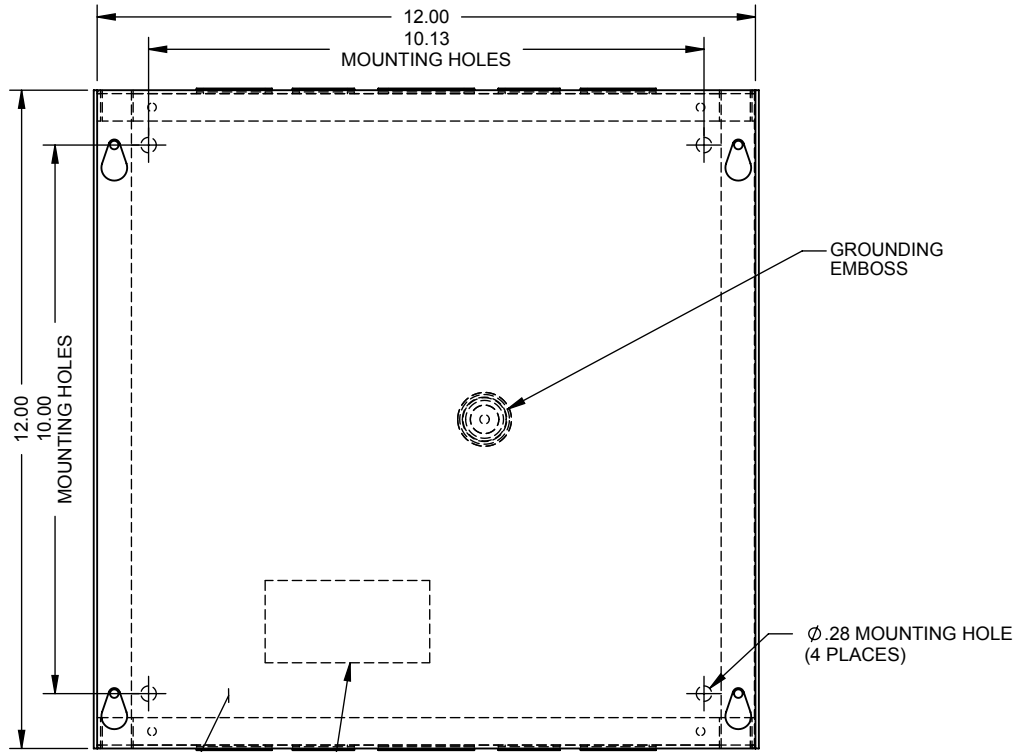
Brand Name: Milbank
Type: Screw Cover
Special Features: Cover Secured with Plated Screws
Application: Enclosure for Mounting Electrical Equipment
Standard: UL Listed
Number Of Outlet: 0
Material: Steel with Powder Coat Finish
Color: ANSI 61 Gray
Mounting: Wall Mount
NEMA Rating: Type 1



Utility requirements may vary. Always consult the serving utility for their requirements prior to ordering or installing this equipment. This product must always be installed by a licensed electrician. Installation of this equipment may require local electrical inspector approval.

CATALOG#	LABEL#
12124-SC1-()	1002135
RC-12124-SC1-()	1125021
SPSC-12124()	1132714

ITEM	QTY.	PART NUMBER	DESCRIPTION
1	1	(SEE CHART)	BACK WELDMENT
2	1	(SEE CHART)	COVER PLATE
3	1	(SEE CHART)	U/L LISTING LABEL
4	1	1002646	BAG ASSY, SCREWS (NOT SHOWN)
5	1	1002475	BAG ASSY (GROUND SCREW)



SUFFIX	MATERIAL	FINISH	INSTALL K.O.s	WELDMENT NO.	COVER NO.
-SC1	16 GA. GALV. STEEL	MILBANK LIGHT GRAY	YES	1154884	1143515
-SC1-NK			NO	1154887	
-SC1-NP	16 GA. CRS	NONE	YES	1154885	1003265
-SC1-NK-NP			NO	1154888	
-SC1XA-NP	.064 THK. ALUM.	NONE	NO	1154890	1154376
-SC1-SP	16 GA. CRS	MILBANK LIGHT GRAY	YES	1154896	1143515

NOTES:

1. PLACE BAG ASS'Y INSIDE ENCLOSURE (NOT SHOWN).
2. USE CARTON #1003469 FOR SHIPPING. (4 PER)

Material:	16 GA.		General Offices: Kansas City, MO	
Finish:	MILBANK LIGHT GRAY		Title:	12124 SCREW COVER TYPE 1 ENCLOSURE
Tolerances: Unless Specified Otherwise X.X ±.1 X.XX ±.03 X.XXX ±.015 X" ±2"			Catalog No.:	(SEE CHART)
		Projection	Customer:	EALER ELECTRIC
Scale:	NTS	Checked By:	Drawing No.:	1001578
Drawn By:	DY	Approved By:	Date:	04/26/01 Sheet 1 of 1

E3	8-3-06	mECO #14958, ADDED NOTE #3	CMW	E5	8/10/11	CHART VERSIONS (ECO #21094)	DF
E4	5/8/08	ADDED CHART & REMOVED NOTE #3	JLT				



Catalog Number: 12124-SC1-NK
Item Description: N1 SCREW COVER ENCL NK
UPC Code: 784572101159

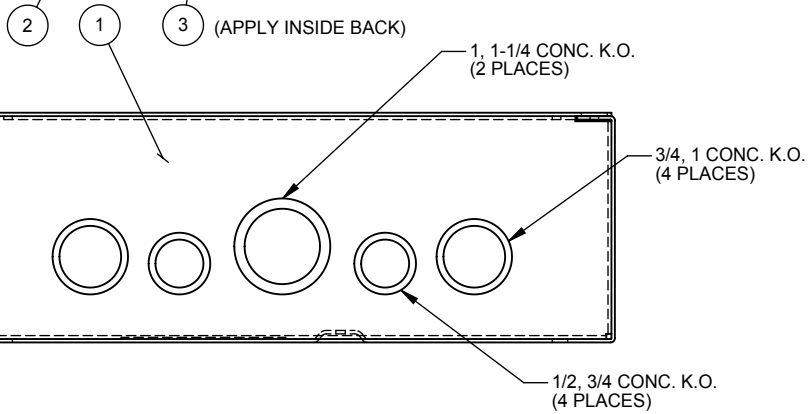
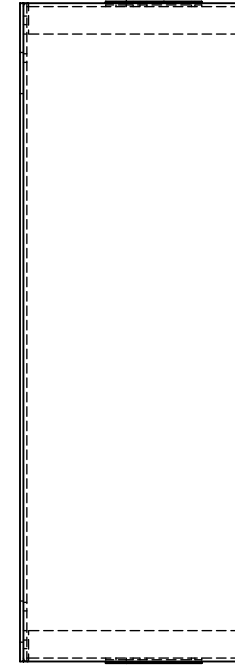
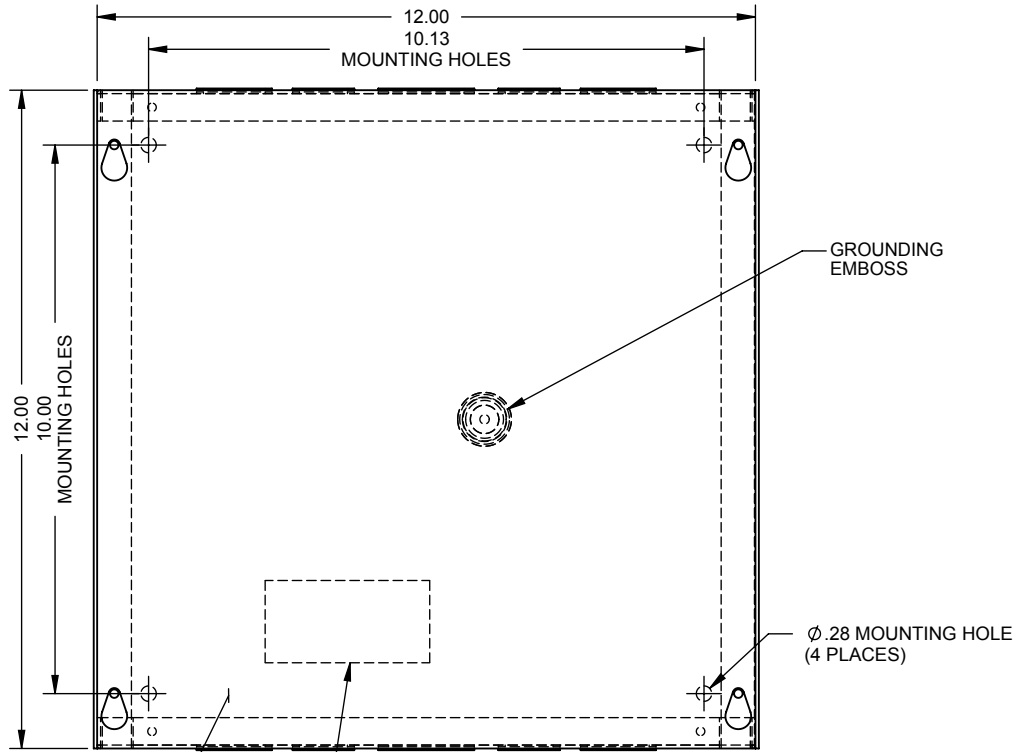
Brand Name: Milbank
Type: Screw Cover
Special Features: Cover Secured with Plated Screws
Application: Enclosure for Mounting Electrical Equipment
Standard: UL Listed
Number Of Outlet: 0
Material: Steel with Powder Coat Finish
Color: ANSI 61 Gray
Mounting: Wall Mount
NEMA Rating: Type 1



Utility requirements may vary. Always consult the serving utility for their requirements prior to ordering or installing this equipment. This product must always be installed by a licensed electrician. Installation of this equipment may require local electrical inspector approval.

CATALOG#	LABEL#
12124-SC1-()	1002135
RC-12124-SC1-()	1125021
SPSC-12124()	1132714

ITEM	QTY.	PART NUMBER	DESCRIPTION
1	1	(SEE CHART)	BACK WELDMENT
2	1	(SEE CHART)	COVER PLATE
3	1	(SEE CHART)	U/L LISTING LABEL
4	1	1002646	BAG ASSY, SCREWS (NOT SHOWN)
5	1	1002475	BAG ASSY (GROUND SCREW)



SUFFIX	MATERIAL	FINISH	INSTALL K.O.s	WELDMENT NO.	COVER NO.
-SC1	16 GA. GALV. STEEL	MILBANK LIGHT GRAY	YES	1154884	1143515
-SC1-NK		NONE	NO	1154887	
-SC1-NP	.064 THK. ALUM.	NONE	YES	1154885	1003265
-SC1-NK-NP			NO	1154888	
-SC1XA-NP	16 GA. CRS	MILBANK LIGHT GRAY	YES	1154890	1154376
-SC1-SP				1154896	1143515

NOTES:

1. PLACE BAG ASS'Y INSIDE ENCLOSURE (NOT SHOWN).
2. USE CARTON #1003469 FOR SHIPPING. (4 PER)

Material:	16 GA.		General Offices: Kansas City, MO	
Finish:	MILBANK LIGHT GRAY		Title:	12124 SCREW COVER TYPE 1 ENCLOSURE
Tolerances: Unless Specified Otherwise X.X ±.1 X.XX ±.03 X.XXX ±.015 X" ±2"			Catalog No.:	(SEE CHART)
		Projection	Customer:	EALER ELECTRIC
Scale:	NTS	Checked By:	Drawing No.:	1001578
Drawn By:	DY	Approved By:	Date:	04/26/01 Sheet 1 of 1

E3	8-3-06	mECO #14958, ADDED NOTE #3	CMW	E5	8/10/11	CHART VERSIONS (ECO #21094)	DF
E4	5/8/08	ADDED CHART & REMOVED NOTE #3	JLT				