



## 122-TI/T ROD TO Z PURLIN CLIP, 0.375" HOLE, PLAIN, 0.0625"-0.25" FLANGE

### CATALOG NUMBER

**1226T**



### CERTIFICATIONS



### FEATURES

Hammer-on clip compensates for angle of purlin

Provides method for attaching rod to purlin

### PRODUCT ATTRIBUTES

Material: Spring Steel

Finish: nVent CADDY Armour

Hole Size (HS): 3/8"

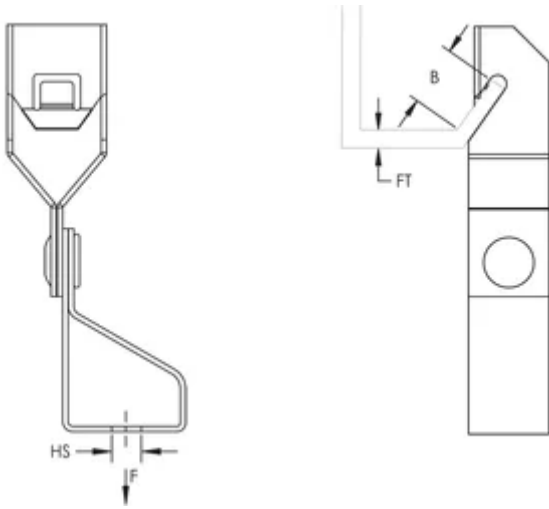
Hole Type: Plain

Flange Thickness (FT): 0.06" - 1/4"

B: 9/16" Min

Static Load (F): 100 lb

## DIAGRAMS



## WARNING

nVent products shall be installed and used only as indicated in nVent's product instruction sheets and training materials. Instruction sheets are available at [www.nvent.com](http://www.nvent.com) and from your nVent customer service representative. Improper installation, misuse, misapplication or other failure to completely follow nVent's instructions and warnings may cause product malfunction, property damage, serious bodily injury and death and/or void your warranty.

### North America

+1.800.753.9221  
Option 1 – Customer Care  
Option 2 – Technical Support

### Europe

Netherlands:  
+31 800-0200135  
France:  
+33 800 901 793

### Europe

Germany:  
800 1890272  
Other Countries:  
+31 13 5835404

### APAC

Shanghai:  
+ 86 21 2412 1618/19  
Sydney:  
+61 2 9751 8500



Our powerful portfolio of brands:  
**nVent.com** **CADDY ERICO HOFFMAN RAYCHEM SCHROFF**  
**TRACER**



## 122-TI/T ROD TO Z PURLIN CLIP, 0.375" HOLE, PLAIN, 0.0625"-0.25" FLANGE

### CATALOG NUMBER

**1226T**



### CERTIFICATIONS



### FEATURES

Hammer-on clip compensates for angle of purlin

Provides method for attaching rod to purlin

### PRODUCT ATTRIBUTES

Material: Spring Steel

Finish: nVent CADDY Armour

Hole Size (HS): 3/8"

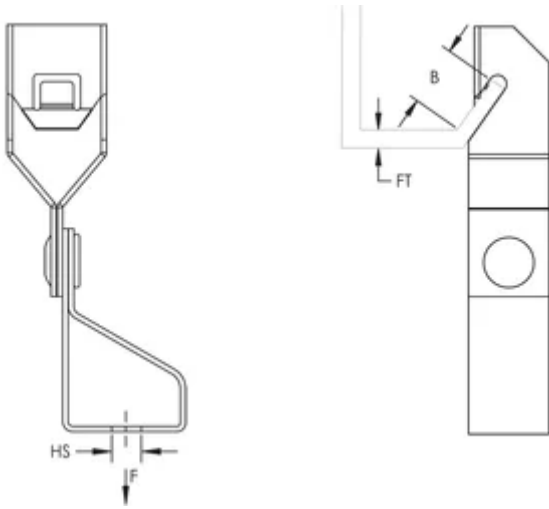
Hole Type: Plain

Flange Thickness (FT): 0.06" - 1/4"

B: 9/16" Min

Static Load (F): 100 lb

## DIAGRAMS



## WARNING

nVent products shall be installed and used only as indicated in nVent's product instruction sheets and training materials. Instruction sheets are available at [www.nvent.com](http://www.nvent.com) and from your nVent customer service representative. Improper installation, misuse, misapplication or other failure to completely follow nVent's instructions and warnings may cause product malfunction, property damage, serious bodily injury and death and/or void your warranty.

### North America

+1.800.753.9221  
Option 1 – Customer Care  
Option 2 – Technical Support

### Europe

Netherlands:  
+31 800-0200135  
France:  
+33 800 901 793

### Europe

Germany:  
800 1890272  
Other Countries:  
+31 13 5835404

### APAC

Shanghai:  
+ 86 21 2412 1618/19  
Sydney:  
+61 2 9751 8500



Our powerful portfolio of brands:  
**nVent.com CADDY ERICO HOFFMAN RAYCHEM SCHROFF**  
**TRACER**