

Beacons

Flashing Incandescent

125 Class



Edwards 125 Class standard flashing Incandescent beacons are NEMA Type 4X signaling devices, suitable for use in indoor or outdoor applications where an intermittent (flashing) light source is required. Base material is gray or black, manufactured from a 33% glass filled nylon, providing a high resistance to heat and chemicals. The lens is made of shatter-resistant polycarbonate.

Features and Specifications

- Incandescent light source
- Flash rate 65 fpm
- Shatter-resistant polycarbonate lens
- Gray or black glass filled nylon base
- Suitable for indoor or outdoor applications
- For outdoor use, lens should face up
- Option for panel or conduit mounting
- NEMA Type 4X enclosure
- Operating temperature range: -31°F to 150°F (-35°C to 66°C)



3.25"



Ordering Information

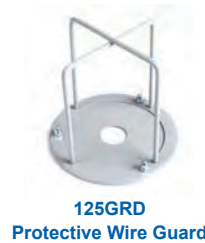
Description	Cat. No.	Operating Voltage ¹	Current	Lens Colors	Replacement	
					Lens	Lamp
Flashing Beacon Incandescent Gray Base	125INCFA120A	120V AC	0.150 A	Amber	125LA	Industry Trade 15T7DC ²
	125INCFB120A	120V AC	0.150 A	Blue	125LB	
	125INCFC120A	120V AC	0.150 A	Clear	125LC	
	125INCFG120A	120V AC	0.150 A	Green	125LG	
	125INCFR120A	120V AC	0.150 A	Red	125LR	
	125INCFA24D	24V DC	0.610 A	Amber	125LA	Industry Trade 1692 ²
	125INCFB24D	24V DC	0.610 A	Blue	125LB	
	125INCFC24D	24V DC	0.610 A	Clear	125LC	
	125INCFG24D	24V DC	0.610 A	Green	125LG	
	125INCFR24D	24V DC	0.610 A	Red	125LR	
Flashing Beacon Incandescent Black Base	125INCFA120AB	120V AC	0.150 A	Amber	125LA	Industry Trade 15T7DC ²
	125INCFB120AB	120V AC	0.150 A	Blue	125LB	
	125INCFC120AB	120V AC	0.150 A	Clear	125LC	
	125INCFG120AB	120V AC	0.150 A	Green	125LG	
	125INCFR120AB	120V AC	0.150 A	Red	125LR	
	125INCFA24DB	24V DC	0.610 A	Amber	125LA	Industry Trade 1692 ²
	125INCFB24DB	24V DC	0.610 A	Blue	125LB	
	125INCFC24DB	24V DC	0.610 A	Clear	125LC	
	125INCFG24DB	24V DC	0.610 A	Green	125LG	
	125INCFR24DB	24V DC	0.610 A	Red	125LR	

¹AC voltage frequency is 50/60 Hz

²User supplied

Accessories

Description	Cat. No.
Protective Wire Guard	125GRD
Corner Mount Bracket	CBR
Wall Mount Bracket	WBR



Beacons

Flashing Incandescent

125 Class

Signal Input Load Characteristics

These devices may be operated by PLCs with output characteristics that match the input load requirements of the signal.

Cat. No. ¹	Operating ² Voltage	Max. Off State Leakage Current (A)	Continuous On Current (A)	Repetitive Surge	Surge (inrush / duration)
125INCF*24D	24V DC	0.025	0.610	0.68 A	7 A Exponentially Decaying
125INCF*120A	120V AC	0.025	0.150	0.3 A / 8 ms	0.8 A Exponentially Decaying

*Letter in this position designates lens color: A - amber, B - blue, C - clear, G - green, or R - red

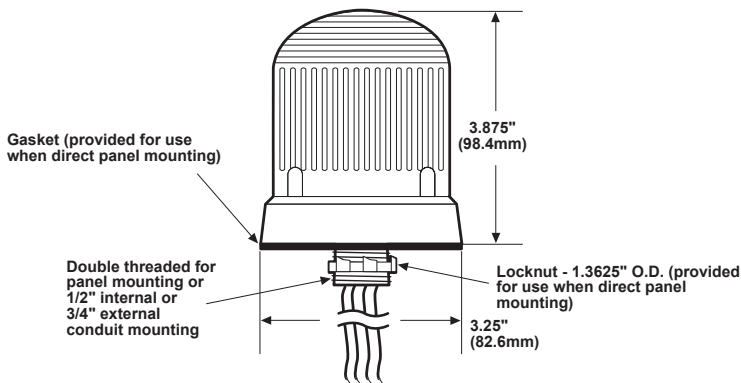
¹Applies to all models with any lens color and with either a gray or black base.

²AC voltage frequency is 50/60 Hz

Weights and Dimensions

Cat. No.	Approx. Net Weight (lb.)	Approx. Shipping Weight (lb.)
125INCF*120A	0.47	0.56
125INCF*24D	0.47	0.56
125INCF*120AB	0.47	0.56
125INCF*24DB	0.47	0.56
125GRD	0.61	0.77
CBR	4.00	4.20
WBR	2.30	2.50

*Letter in this position designates lens color: A - amber, B - blue, C - clear, G - green or R - red



Beacons

Flashing Incandescent

125 Class



Edwards 125 Class standard flashing Incandescent beacons are NEMA Type 4X signaling devices, suitable for use in indoor or outdoor applications where an intermittent (flashing) light source is required. Base material is gray or black, manufactured from a 33% glass filled nylon, providing a high resistance to heat and chemicals. The lens is made of shatter-resistant polycarbonate.

Features and Specifications

- Incandescent light source
- Flash rate 65 fpm
- Shatter-resistant polycarbonate lens
- Gray or black glass filled nylon base
- Suitable for indoor or outdoor applications
- For outdoor use, lens should face up
- Option for panel or conduit mounting
- NEMA Type 4X enclosure
- Operating temperature range: -31°F to 150°F (-35°C to 66°C)



3.25"



Ordering Information

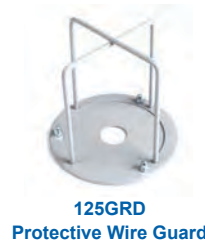
Description	Cat. No.	Operating Voltage ¹	Current	Lens Colors	Replacement	
					Lens	Lamp
Flashing Beacon Incandescent Gray Base	125INCFA120A	120V AC	0.150 A	Amber	125LA	Industry Trade 15T7DC ²
	125INCFB120A	120V AC	0.150 A	Blue	125LB	
	125INCFC120A	120V AC	0.150 A	Clear	125LC	
	125INCFG120A	120V AC	0.150 A	Green	125LG	
	125INCFR120A	120V AC	0.150 A	Red	125LR	
	125INCFA24D	24V DC	0.610 A	Amber	125LA	Industry Trade 1692 ²
	125INCFB24D	24V DC	0.610 A	Blue	125LB	
	125INCFC24D	24V DC	0.610 A	Clear	125LC	
	125INCFG24D	24V DC	0.610 A	Green	125LG	
	125INCFR24D	24V DC	0.610 A	Red	125LR	
Flashing Beacon Incandescent Black Base	125INCFA120AB	120V AC	0.150 A	Amber	125LA	Industry Trade 15T7DC ²
	125INCFB120AB	120V AC	0.150 A	Blue	125LB	
	125INCFC120AB	120V AC	0.150 A	Clear	125LC	
	125INCFG120AB	120V AC	0.150 A	Green	125LG	
	125INCFR120AB	120V AC	0.150 A	Red	125LR	
	125INCFA24DB	24V DC	0.610 A	Amber	125LA	Industry Trade 1692 ²
	125INCFB24DB	24V DC	0.610 A	Blue	125LB	
	125INCFC24DB	24V DC	0.610 A	Clear	125LC	
	125INCFG24DB	24V DC	0.610 A	Green	125LG	
	125INCFR24DB	24V DC	0.610 A	Red	125LR	

¹AC voltage frequency is 50/60 Hz

²User supplied

Accessories

Description	Cat. No.
Protective Wire Guard	125GRD
Corner Mount Bracket	CBR
Wall Mount Bracket	WBR



Beacons

Flashing Incandescent

125 Class

Signal Input Load Characteristics

These devices may be operated by PLCs with output characteristics that match the input load requirements of the signal.

Cat. No. ¹	Operating ² Voltage	Max. Off State Leakage Current (A)	Continuous On Current (A)	Repetitive Surge	Surge (inrush / duration)
125INCF*24D	24V DC	0.025	0.610	0.68 A	7 A Exponentially Decaying
125INCF*120A	120V AC	0.025	0.150	0.3 A / 8 ms	0.8 A Exponentially Decaying

*Letter in this position designates lens color: A - amber, B - blue, C - clear, G - green, or R - red

¹Applies to all models with any lens color and with either a gray or black base.

²AC voltage frequency is 50/60 Hz

Weights and Dimensions

Cat. No.	Approx. Net Weight (lb.)	Approx. Shipping Weight (lb.)
125INCF*120A	0.47	0.56
125INCF*24D	0.47	0.56
125INCF*120AB	0.47	0.56
125INCF*24DB	0.47	0.56
125GRD	0.61	0.77
CBR	4.00	4.20
WBR	2.30	2.50

*Letter in this position designates lens color: A - amber, B - blue, C - clear, G - green or R - red

