

Push Buttons

Push Button Plates

147 and 149 Series

The Edwards 147-1 Push Button Plate is used for mounting 620 and 690 series 5/8" (16mm) buttons on a standard single gang box.

The Edwards 149-1 Push Button Plate is used for mounting 821, 850, and 854 series 7/8" (22mm) buttons on a standard single gang box.

Features and Specifications

- Standard switch box mounting
- Stainless steel faceplate
- Single gang

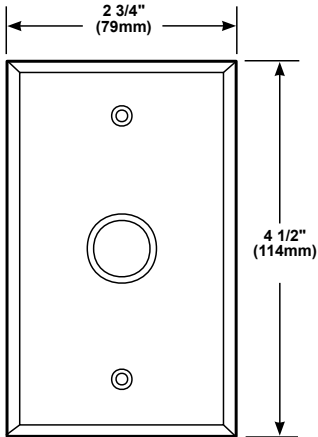


Ordering Information

Description	Cat. No.	For Use With
Mounting Plate for 5/8" Push Buttons	147-1	620 and 690 Series
Mounting Plate for 7/8" Push Buttons	149-1	821, 850 and 854 Series

Weights and Dimensions

Cat. No.	Approx. Net Weight (lb.)	Approx. Shipping Weight (lb.)
147-1	0.12	0.15
149-1	0.12	0.15



Push Buttons

Push Button Plates

147 and 149 Series

The Edwards 147-1 Push Button Plate is used for mounting 620 and 690 series 5/8" (16mm) buttons on a standard single gang box.

The Edwards 149-1 Push Button Plate is used for mounting 821, 850, and 854 series 7/8" (22mm) buttons on a standard single gang box.

Features and Specifications

- Standard switch box mounting
- Stainless steel faceplate
- Single gang



Ordering Information

Description	Cat. No.	For Use With
Mounting Plate for 5/8" Push Buttons	147-1	620 and 690 Series
Mounting Plate for 7/8" Push Buttons	149-1	821, 850 and 854 Series

Weights and Dimensions

Cat. No.	Approx. Net Weight (lb.)	Approx. Shipping Weight (lb.)
147-1	0.12	0.15
149-1	0.12	0.15

