

HOT DIP GALVANIZED

RIGHT ANGLE CONDUIT SUPPORT

APPLICATIONS:

Right-angle conduit clamps are used to mount EMT or rigid conduits across or perpendicular to beam, channel or angle supports

FEATURES:

Hot Dip Galvanized for added durability and corrosion protection. Provides a secure connection and tight clamping action capable of withstanding heavy loads.

MATERIAL:

Malleable Iron
Galvanized Steel Hardware

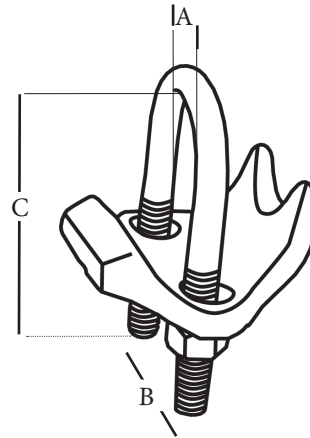
FINISH:

Hot Dip Galvanized



E174011

Conforms to finish thickness
ASTM A123/123M
UL
RoHS
NEMA FB1
Federal Spec. A-A-50553



| Part No. | UPC | Description | Ship Case | Weight Case | A | B | C |
|----------|-------|------------------------------------|-----------|-------------|------|------|------|
| 1551HDG | 86579 | 1/2" Right Angle Conduit Support | 50 | 20 | .97 | 1.24 | 2.46 |
| 1552HDG | 86580 | 3/4" Right Angle Conduit Support | 50 | 22 | 1.15 | 1.43 | 2.76 |
| 1553HDG | 86581 | 1" Right Angle Conduit Support | 50 | 24 | 1.42 | 1.70 | 3.01 |
| 1554HDG | 86582 | 1-1/4" Right Angle Conduit Support | 50 | 27 | 1.79 | 2.07 | 3.16 |
| 1555HDG | 86583 | 1-1/2" Right Angle Conduit Support | 50 | 29 | 2.04 | 2.32 | 3.52 |
| 1556HDG | 86584 | 2" Right Angle Conduit Support | 25 | 22 | 2.49 | 2.83 | 4.39 |
| 1557HDG | 86585 | 2-1/2" Right Angle Conduit Support | 25 | 27 | 3.06 | 3.39 | 4.75 |
| 1558HDG | 86586 | 3" Right Angle Conduit Support | 25 | 28 | 3.65 | 3.98 | 5.38 |
| 1559HDG | 86587 | 3-1/2" Right Angle Conduit Support | 25 | 32 | 4.21 | 4.55 | 5.76 |
| 1559AHDG | 86588 | 4" Right Angle Conduit Support | 25 | 35 | 4.69 | 5.03 | 6.27 |

HOT DIP GALVANIZED

RIGHT ANGLE CONDUIT SUPPORT

APPLICATIONS:

Right-angle conduit clamps are used to mount EMT or rigid conduits across or perpendicular to beam, channel or angle supports

FEATURES:

Hot Dip Galvanized for added durability and corrosion protection. Provides a secure connection and tight clamping action capable of withstanding heavy loads.

MATERIAL:

Malleable Iron
Galvanized Steel Hardware

FINISH:

Hot Dip Galvanized



E174011

Conforms to finish thickness
ASTM A123/123M
UL
RoHS
NEMA FB1
Federal Spec. A-A-50553



| Part No. | UPC | Description | Ship Case | Weight Case | A | B | C |
|----------|-------|------------------------------------|-----------|-------------|------|------|------|
| 1551HDG | 86579 | 1/2" Right Angle Conduit Support | 50 | 20 | .97 | 1.24 | 2.46 |
| 1552HDG | 86580 | 3/4" Right Angle Conduit Support | 50 | 22 | 1.15 | 1.43 | 2.76 |
| 1553HDG | 86581 | 1" Right Angle Conduit Support | 50 | 24 | 1.42 | 1.70 | 3.01 |
| 1554HDG | 86582 | 1-1/4" Right Angle Conduit Support | 50 | 27 | 1.79 | 2.07 | 3.16 |
| 1555HDG | 86583 | 1-1/2" Right Angle Conduit Support | 50 | 29 | 2.04 | 2.32 | 3.52 |
| 1556HDG | 86584 | 2" Right Angle Conduit Support | 25 | 22 | 2.49 | 2.83 | 4.39 |
| 1557HDG | 86585 | 2-1/2" Right Angle Conduit Support | 25 | 27 | 3.06 | 3.39 | 4.75 |
| 1558HDG | 86586 | 3" Right Angle Conduit Support | 25 | 28 | 3.65 | 3.98 | 5.38 |
| 1559HDG | 86587 | 3-1/2" Right Angle Conduit Support | 25 | 32 | 4.21 | 4.55 | 5.76 |
| 1559AHDG | 86588 | 4" Right Angle Conduit Support | 25 | 35 | 4.69 | 5.03 | 6.27 |