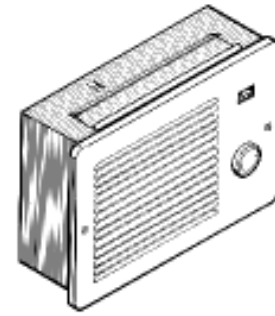


FAN-FORCED WALL HEATERS



Broan brings the "designer" look to wall heaters in a wide choice of performance and finish options.

FEATURES

GRILLE:

- Designer-styled, one-piece construction with rounded corners
- White, baked enamel finish
- 20-gauge, with downflow louvers
- Front-mounted thermostat
- Color-coordinated mounting screws and thermostat knob

HEATER ASSEMBLY:

- Nickel-chrome resistance alloy heating element
- Mica insulated, zig-zag element configuration
- Snap-action, bi-metallic thermostat
- 120 VAC units can be converted to operate on 240 VAC
- Wattage convertible (except 165F)
- Manual reset thermal overload protector
- Permanently lubricated motor
- High-efficiency blower wheel
- Removable from housing for cleaning or servicing

HOUSING:

- 24-gauge steel finished with black epoxy paint
- Removable wiring cover - connect wiring away from tight corners
- Mounts directly to wall studs
- Can be recess or surface-mounted (surface mounting requires Model 84 kit)
- Includes housing mask - to prevent construction damage to roughed-in heater

Model 171H: Rough-in housing for use with finish assemblies

Models 165F, 167F, 170F, 174F, 178F: Finish assemblies for use with 171H rough-in housing

Models 165FT, 167FT, 170FT, 174FT, 178FT: Finish assemblies for use with 171H rough-in housing (Includes built-in thermostat)

ACCESSORIES: (Purchase separately)

- Model 84 Surface-Mounting Kit
- Model 86W Line-Voltage Thermostat
- Model 59V, 59W 60-Minute Timer
- Model 61V, 61W 15-Minute Timer
- Model 83 Integral Thermostat (Use with 165F, 167F, 170F, 174F or 178F Finish assemblies when built-in control is desired)

NOTE: This heater is intended to be used to supply supplemental heat from a wall location in new or existing construction.

TYPICAL SPECIFICATION

Heater shall be Broan Model 165F, (167F), (170), (170F), (174), (174F), (178), (178F).

Unit shall have steel housing finished with black, epoxy paint. It will be recessed (surface) - mounted.

Heater to deliver 500, (750), (1000), (1500), (2000) watts of fan-forced heat at safe "black" temperatures. It must be wattage-convertible or voltage-selectable. Heater shall include a thermal overload protector with manual reset.

Grille will be White in color and be of 20-gauge, one-piece construction with no sharp edges. Unit to be controlled with front-mount thermostat, (Model 86W - Line-Voltage Thermostat), (Model 59V, 59W-60 Minute Timer), (Model 61V, 61W-15-Minute Timer).

Heater shall be U.L. Listed.



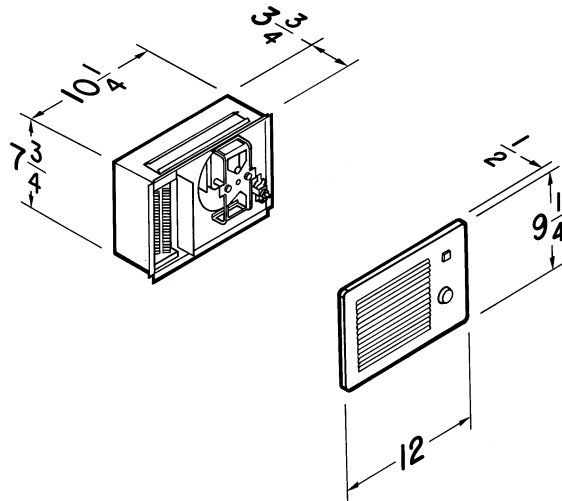
Broan-NuTone LLC, 926 West State Street, Hartford, Wisconsin 53027 (1-800-637-1453)

REFERENCE	QTY.	REMARKS	Project
			Location
			Architect
			Engineer
			Contractor
			Submitted by
			Date

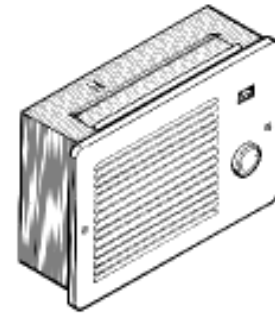
PERFORMANCE RATINGS — FAN-FORCED WALL HEATERS

MODEL	WATTS	VOLTS	AMPS	BTU/HR.	GRILLE	PACKAGING	SHIPPING WT. (Lbs.)
165F	500 375 500	240 208 120	2.08 1.80 4.16	1707 1280 1707	Off White	Single	5
167F	750 / 1500 11/25 / 562	240 208	3.13 / 6.25 541 / 2.71	2560 / 5120 3840 / 1920	Off White	Single Heater Assembly and Grille Only	5
170	1000 / 500 750 1000	120 208 240	8.3 / 4.1 3.61 4.16	3413 / 1707 2560 3413	Off White	Single	7.5
170F	1000 / 500 750 1000	120 208 240	8.3 / 4.1 3.61 4.16	3413 / 1707 2560 3413	Off White	Single Heater Assembly and Grille Only	5
174	1500 / 750 1125 1500	120 208 240	12.5 / 6.2 5.41 6.25	5120 / 2560 3840 5120	Off White	Single	7.5
174F	1500 / 750 1125 5000	120 208 240	12.5 / 6.2 5.41 6.25	5120 / 2560 3840 5120	Off White	Single Heater Assembly and Grille Only	5
178	2000 / 1000 1500 / 750	240 208	8.3 / 4.1 7.2 / 3.6	6827 / 3413 5120 / 2560	Off White	Single	7.5
178F	2000 / 1000 1500 / 750	240 208	8.3 / 4.1 7.2 / 3.6	6827 / 3413 5120 / 2560	Off White	Single Heater Assembly and Grille Only	5
171H	—	—	—	—	—	4-Pack Rough-In Housings Only	2.4 ea. 11.9 4-Pack

Bold ratings are factory-wired.



FAN-FORCED WALL HEATERS



Broan brings the "designer" look to wall heaters in a wide choice of performance and finish options.

FEATURES

GRILLE:

- Designer-styled, one-piece construction with rounded corners
- White, baked enamel finish
- 20-gauge, with downflow louvers
- Front-mounted thermostat
- Color-coordinated mounting screws and thermostat knob

HEATER ASSEMBLY:

- Nickel-chrome resistance alloy heating element
- Mica insulated, zig-zag element configuration
- Snap-action, bi-metallic thermostat
- 120 VAC units can be converted to operate on 240 VAC
- Wattage convertible (except 165F)
- Manual reset thermal overload protector
- Permanently lubricated motor
- High-efficiency blower wheel
- Removable from housing for cleaning or servicing

HOUSING:

- 24-gauge steel finished with black epoxy paint
- Removable wiring cover - connect wiring away from tight corners
- Mounts directly to wall studs
- Can be recess or surface-mounted (surface mounting requires Model 84 kit)
- Includes housing mask - to prevent construction damage to roughed-in heater

Model 171H: Rough-in housing for use with finish assemblies

Models 165F, 167F, 170F, 174F, 178F: Finish assemblies for use with 171H rough-in housing

Models 165FT, 167FT, 170FT, 174FT, 178FT: Finish assemblies for use with 171H rough-in housing (Includes built-in thermostat)

ACCESSORIES: (Purchase separately)

- Model 84 Surface-Mounting Kit
- Model 86W Line-Voltage Thermostat
- Model 59V, 59W 60-Minute Timer
- Model 61V, 61W 15-Minute Timer
- Model 83 Integral Thermostat (Use with 165F, 167F, 170F, 174F or 178F Finish assemblies when built-in control is desired)

NOTE: This heater is intended to be used to supply supplemental heat from a wall location in new or existing construction.

TYPICAL SPECIFICATION

Heater shall be Broan Model 165F, (167F), (170), (170F), (174), (174F), (178), (178F).

Unit shall have steel housing finished with black, epoxy paint. It will be recessed (surface) - mounted.

Heater to deliver 500, (750), (1000), (1500), (2000) watts of fan-forced heat at safe "black" temperatures. It must be wattage-convertible or voltage-selectable. Heater shall include a thermal overload protector with manual reset.

Grille will be White in color and be of 20-gauge, one-piece construction with no sharp edges. Unit to be controlled with front-mount thermostat, (Model 86W - Line-Voltage Thermostat), (Model 59V, 59W-60 Minute Timer), (Model 61V, 61W-15-Minute Timer).

Heater shall be U.L. Listed.



Broan-NuTone LLC, 926 West State Street, Hartford, Wisconsin 53027 (1-800-637-1453)

REFERENCE	QTY.	REMARKS	Project
			Location
			Architect
			Engineer
			Contractor
			Submitted by
			Date

PERFORMANCE RATINGS — FAN-FORCED WALL HEATERS

MODEL	WATTS	VOLTS	AMPS	BTU/HR.	GRILLE	PACKAGING	SHIPPING WT. (Lbs.)
165F	500 375 500	240 208 120	2.08 1.80 4.16	1707 1280 1707	Off White	Single	5
167F	750 / 1500 11/25 / 562	240 208	3.13 / 6.25 541 / 2.71	2560 / 5120 3840 / 1920	Off White	Single Heater Assembly and Grille Only	5
170	1000 / 500 750 1000	120 208 240	8.3 / 4.1 3.61 4.16	3413 / 1707 2560 3413	Off White	Single	7.5
170F	1000 / 500 750 1000	120 208 240	8.3 / 4.1 3.61 4.16	3413 / 1707 2560 3413	Off White	Single Heater Assembly and Grille Only	5
174	1500 / 750 1125 1500	120 208 240	12.5 / 6.2 5.41 6.25	5120 / 2560 3840 5120	Off White	Single	7.5
174F	1500 / 750 1125 5000	120 208 240	12.5 / 6.2 5.41 6.25	5120 / 2560 3840 5120	Off White	Single Heater Assembly and Grille Only	5
178	2000 / 1000 1500 / 750	240 208	8.3 / 4.1 7.2 / 3.6	6827 / 3413 5120 / 2560	Off White	Single	7.5
178F	2000 / 1000 1500 / 750	240 208	8.3 / 4.1 7.2 / 3.6	6827 / 3413 5120 / 2560	Off White	Single Heater Assembly and Grille Only	5
171H	—	—	—	—	—	4-Pack Rough-In Housings Only	2.4 ea. 11.9 4-Pack

Bold ratings are factory-wired.

