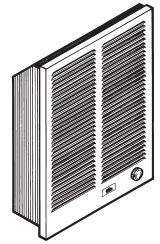


HIGH-CAPACITY WALL HEATERS MODELS 192, 194 & 198



Powerful and reliable for commercial uses yet good looking enough to blend with residential decors.

FEATURES

GRILLE:

- One-piece, heavy-duty 18 gauge steel with downflow louvers
- White, baked enamel
- Front-mounted thermostat
- Color coordinated thermostat knob
- Thermostat security cover – prohibits tampering

HEATER ASSEMBLY:

- Heating Element: Heavy-duty sheath element with steel-plate fins
- Thermostat: Snap-action heavy-duty disc-type
- Motor: Permanently lubricated (Models 192 & 194); Totally enclosed, permanently lubricated (Model 198)
- Thermal Overload: Manual reset protector
- Fan delay prevents cold air delivery as element heats up and provides warm air delivery as element cools down
- Operates on 240 VAC or 208 VAC
- Factory-wired wattages (easy field conversion to half-wattage): 2000W (Model 192); 3000W (Model 194); 4000W (Model 198).

HOUSING:

- Sturdy, 22 gauge steel construction finish with black, epoxy paint
- Mounts directly to wall studs in new or existing construction
- Furnished with a housing mask – prevents construction damage to roughed-in units
- Can be recess or surface mounted (surface mounting requires Model 85 Kit)

ACCESSORIES: (Purchase separately)

- Model 86W Line-Voltage Thermostat
- Model 85 Surface Mounting Kit
- Model 59W / 59V 60-Minute Timer (for use with Model 192 only)
- Model 61W / 61V 15-Minute Timer (for use with Model 192 only)

TYPICAL SPECIFICATION

Heater shall be Broan Model 192 (Model 194), (Model 198).

Unit shall have steel housing finished with black, epoxy paint. It will recess (surface) - mounted.

Heater to deliver 2000 watts (Model 192), 3000 watts (Model 194), 4000 watts (Model 198) of fan-forced heat. It must be field-convertible to operate at half-wattage. Heater shall include a manual reset thermal overload protector (and a fan delay). Motor to be permanently lubricated.

Grille will be White in color and made from 18 gauge steel. Unit to be controlled with front-mounted thermostat, Broan Model 86W. A security cover shall be provided so tamper-proof operation can be permitted.

Heater shall be U.L. Listed.



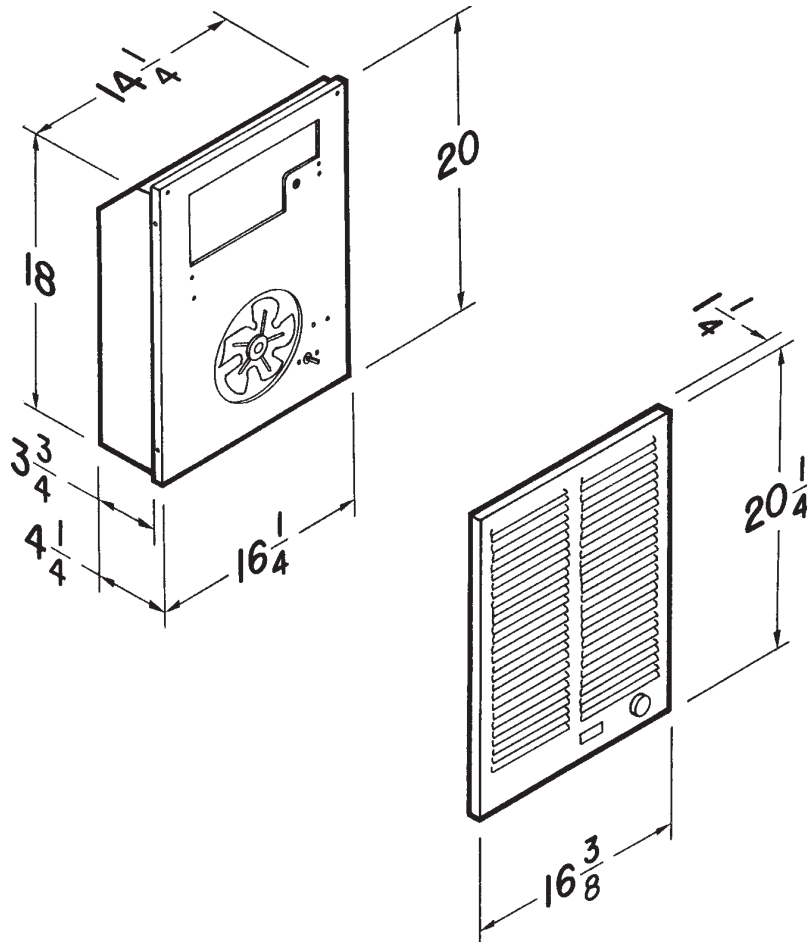
Broan-NuTone LLC, 926 West State Street, Hartford, Wisconsin 53027 (1-800-637-1453)

REFERENCE	QTY.	REMARKS	Project
			Location
			Architect
			Engineer
			Contractor
			Submitted by Date

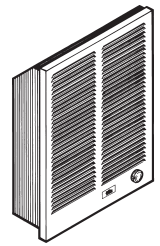
PERFORMANCE RATINGS – HIGH-CAPACITY WALL HEATERS

MODEL	WATTS	VOLTS	AMPS	BTU/HR	GRILLE	ELEMENT	FAN DELAY	SHIPPING WT. (lbs.)
192	2000 / 1000 1500 / 750	240 208	8.3 / 4.1 7.2 / 3.6	6827 / 3413 5120 / 2560	White	Steel-Sheathed Plate Finned	Yes	23.0
194	3000 / 1500 2250 / 1125	240 208	12.5 / 6.2 10.8 / 5.4	10240 / 5120 7680 / 3840	White	Steel-Sheathed Plate Finned	Yes	23.0
198	4000 / 2000 3000 / 1500	240 208	16.7 / 8.3 14.4 / 7.2	13653 / 6827 10240 / 5120	White	Steel-Sheathed Plate Finned	Yes	23.0

BOLD ratings are factory-wired



HIGH-CAPACITY WALL HEATERS MODELS 192, 194 & 198



Powerful and reliable for commercial uses yet good looking enough to blend with residential decors.

FEATURES

GRILLE:

- One-piece, heavy-duty 18 gauge steel with downflow louvers
- White, baked enamel
- Front-mounted thermostat
- Color coordinated thermostat knob
- Thermostat security cover – prohibits tampering

HEATER ASSEMBLY:

- Heating Element: Heavy-duty sheath element with steel-plate fins
- Thermostat: Snap-action heavy-duty disc-type
- Motor: Permanently lubricated (Models 192 & 194); Totally enclosed, permanently lubricated (Model 198)
- Thermal Overload: Manual reset protector
- Fan delay prevents cold air delivery as element heats up and provides warm air delivery as element cools down
- Operates on 240 VAC or 208 VAC
- Factory-wired wattages (easy field conversion to half-wattage): 2000W (Model 192); 3000W (Model 194); 4000W (Model 198).

HOUSING:

- Sturdy, 22 gauge steel construction finish with black, epoxy paint
- Mounts directly to wall studs in new or existing construction
- Furnished with a housing mask – prevents construction damage to roughed-in units
- Can be recess or surface mounted (surface mounting requires Model 85 Kit)

ACCESSORIES: (Purchase separately)

- Model 86W Line-Voltage Thermostat
- Model 85 Surface Mounting Kit
- Model 59W / 59V 60-Minute Timer (for use with Model 192 only)
- Model 61W / 61V 15-Minute Timer (for use with Model 192 only)

TYPICAL SPECIFICATION

Heater shall be Broan Model 192 (Model 194), (Model 198).

Unit shall have steel housing finished with black, epoxy paint. It will recess (surface) - mounted.

Heater to deliver 2000 watts (Model 192), 3000 watts (Model 194), 4000 watts (Model 198) of fan-forced heat. It must be field-convertible to operate at half-wattage. Heater shall include a manual reset thermal overload protector (and a fan delay). Motor to be permanently lubricated.

Grille will be White in color and made from 18 gauge steel. Unit to be controlled with front-mounted thermostat, Broan Model 86W. A security cover shall be provided so tamper-proof operation can be permitted.

Heater shall be U.L. Listed.



Broan-NuTone LLC, 926 West State Street, Hartford, Wisconsin 53027 (1-800-637-1453)

REFERENCE	QTY.	REMARKS	Project
			Location
			Architect
			Engineer
			Contractor
			Submitted by
			Date

PERFORMANCE RATINGS – HIGH-CAPACITY WALL HEATERS

MODEL	WATTS	VOLTS	AMPS	BTU/HR	GRILLE	ELEMENT	FAN DELAY	SHIPPING WT. (lbs.)
192	2000 / 1000 1500 / 750	240 208	8.3 / 4.1 7.2 / 3.6	6827 / 3413 5120 / 2560	White	Steel-Sheathed Plate Finned	Yes	23.0
194	3000 / 1500 2250 / 1125	240 208	12.5 / 6.2 10.8 / 5.4	10240 / 5120 7680 / 3840	White	Steel-Sheathed Plate Finned	Yes	23.0
198	4000 / 2000 3000 / 1500	240 208	16.7 / 8.3 14.4 / 7.2	13653 / 6827 10240 / 5120	White	Steel-Sheathed Plate Finned	Yes	23.0

BOLD ratings are factory-wired

