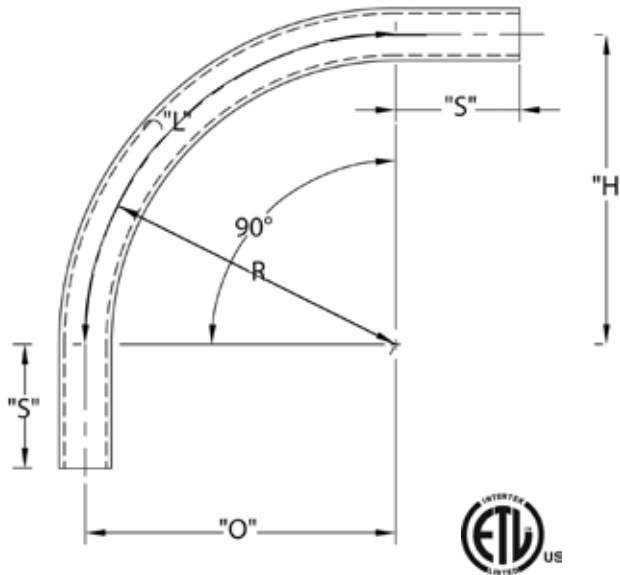


Rigid Nonmetallic Sch. 40 Elbows - Special Radius

Schedule 40 90° Elbow Special Radius - Plain End



Schedule 40 90° Elbow 18" Radius Plain End

| Part Number | Trade Size | "R" | "O" | "H" | "S" MIN | "L" |
|-------------|------------|-----|-----|-----|---------|--------|
| 5133846 | 1 | 18 | 18 | 18 | 1.875 | 28.250 |
| 5133923 | 1-1/4 | 18 | 18 | 18 | 2.000 | 28.250 |
| 5133839 | 1-1/2 | 18 | 18 | 18 | 2.000 | 28.250 |
| 5133844 | 2 | 18 | 18 | 18 | 2.000 | 28.250 |
| 5133856 | 2-1/2 | 18 | 18 | 18 | 3.000 | 28.250 |
| 5133858 | 3 | 18 | 18 | 18 | 3.125 | 28.250 |

Dimensions are nominal

Schedule 40 90° Elbow 24" Radius Plain End

| Part Number | Trade Size | "R" | "O" | "H" | "S" MIN | "L" |
|-------------|------------|-----|-----|-----|---------|--------|
| 5133934 | 3/4 | 24 | 24 | 24 | 1.500 | 37.750 |
| 5133859 | 1 | 24 | 24 | 24 | 1.875 | 37.750 |
| 5133883 | 1-1/4 | 24 | 24 | 24 | 2.000 | 37.750 |
| 5133873 | 1-1/2 | 24 | 24 | 24 | 2.000 | 37.750 |
| 5133836 | 2 | 24 | 24 | 24 | 2.000 | 37.750 |
| 5133847 | 2-1/2 | 24 | 24 | 24 | 3.000 | 37.750 |
| 5133837 | 3 | 24 | 24 | 24 | 3.125 | 37.750 |
| 5133893 | 3-1/2 | 24 | 24 | 24 | 3.250 | 37.750 |
| 5133822 | 4 | 24 | 24 | 24 | 3.375 | 37.750 |

Dimensions are nominal

Schedule 40 90° Elbow 30" Radius Plain End

| Part Number | Trade Size | "R" | "O" | "H" | "S" MIN | "L" |
|-------------|------------|-----|-----|-----|---------|--------|
| 5134147 | 3/4 | 30 | 30 | 30 | 1.500 | 47.125 |
| 5136340 | 1 | 30 | 30 | 30 | 1.875 | 47.125 |
| 5133878 | 1-1/4 | 30 | 30 | 30 | 2.000 | 47.125 |
| 5133921 | 1-1/2 | 30 | 30 | 30 | 2.000 | 47.125 |
| 5133920 | 2 | 30 | 30 | 30 | 2.000 | 47.125 |
| 5133981 | 2-1/2 | 30 | 30 | 30 | 3.000 | 47.125 |
| 5133867 | 3 | 30 | 30 | 30 | 3.125 | 47.125 |
| 5133948 | 3-1/2 | 30 | 30 | 30 | 3.250 | 47.125 |
| 5133850 | 4 | 30 | 30 | 30 | 3.375 | 47.125 |
| 5133872 | 5 | 30 | 30 | 30 | 3.625 | 47.125 |

Dimensions are nominal

Schedule 40 90° Elbow 36" Radius Plain End

| Part Number | Trade Size | "R" | "O" | "H" | "S" MIN | "L" |
|-------------|------------|-----|-----|-----|---------|--------|
| 5133949 | 3/4 | 36 | 36 | 36 | 1.500 | 56.500 |
| 5133852 | 1 | 36 | 36 | 36 | 1.875 | 56.500 |
| 5133884 | 1-1/4 | 36 | 36 | 36 | 2.000 | 56.500 |
| 5133866 | 1-1/2 | 36 | 36 | 36 | 2.000 | 56.500 |
| 5133848 | 2 | 36 | 36 | 36 | 2.000 | 56.500 |
| 5133857 | 2-1/2 | 36 | 36 | 36 | 3.000 | 56.500 |
| 5133820 | 3 | 36 | 36 | 36 | 3.125 | 56.500 |
| 5133818 | 3-1/2 | 36 | 36 | 36 | 3.250 | 56.500 |
| 5133821 | 4 | 36 | 36 | 36 | 3.375 | 56.500 |
| 5133841 | 5 | 36 | 36 | 36 | 3.625 | 56.500 |
| 5133877 | 6 | 36 | 36 | 36 | 3.750 | 56.500 |

Dimensions are nominal

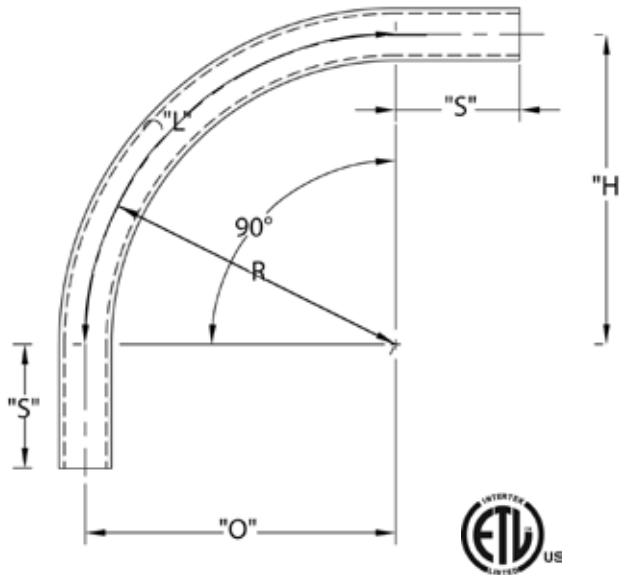
Schedule 40 90° Elbow 48" Radius Plain End

| Part Number | Trade Size | "R" | "O" | "H" | "S" MIN | "L" |
|-------------|------------|-----|-----|-----|---------|--------|
| 5133864 | 1 | 48 | 48 | 48 | 1.875 | 75.375 |
| 5133871 | 1-1/4 | 48 | 48 | 48 | 2.000 | 75.375 |
| 5133865 | 1-1/2 | 48 | 48 | 48 | 2.000 | 75.375 |
| 5133876 | 2 | 48 | 48 | 48 | 2.000 | 75.375 |
| 5133849 | 2-1/2 | 48 | 48 | 48 | 3.000 | 75.375 |
| 5133817 | 3 | 48 | 48 | 48 | 3.125 | 75.375 |
| 5133892 | 3-1/2 | 48 | 48 | 48 | 3.250 | 75.375 |
| 5133843 | 4 | 48 | 48 | 48 | 3.375 | 75.375 |
| 5133842 | 5 | 48 | 48 | 48 | 3.625 | 75.375 |
| 5133816 | 6 | 48 | 48 | 48 | 3.750 | 75.375 |
| 5133993D | 8 | 48 | 48 | 48 | 6.625 | 75.375 |

Dimensions are nominal

Rigid Nonmetallic Sch. 40 Elbows - Special Radius

Schedule 40 90° Elbow Special Radius - Plain End



Schedule 40 90° Elbow 18" Radius Plain End

| Part Number | Trade Size | "R" | "O" | "H" | "S" MIN | "L" |
|-------------|------------|-----|-----|-----|---------|--------|
| 5133846 | 1 | 18 | 18 | 18 | 1.875 | 28.250 |
| 5133923 | 1-1/4 | 18 | 18 | 18 | 2.000 | 28.250 |
| 5133839 | 1-1/2 | 18 | 18 | 18 | 2.000 | 28.250 |
| 5133844 | 2 | 18 | 18 | 18 | 2.000 | 28.250 |
| 5133856 | 2-1/2 | 18 | 18 | 18 | 3.000 | 28.250 |
| 5133858 | 3 | 18 | 18 | 18 | 3.125 | 28.250 |

Dimensions are nominal

Schedule 40 90° Elbow 24" Radius Plain End

| Part Number | Trade Size | "R" | "O" | "H" | "S" MIN | "L" |
|-------------|------------|-----|-----|-----|---------|--------|
| 5133934 | 3/4 | 24 | 24 | 24 | 1.500 | 37.750 |
| 5133859 | 1 | 24 | 24 | 24 | 1.875 | 37.750 |
| 5133883 | 1-1/4 | 24 | 24 | 24 | 2.000 | 37.750 |
| 5133873 | 1-1/2 | 24 | 24 | 24 | 2.000 | 37.750 |
| 5133836 | 2 | 24 | 24 | 24 | 2.000 | 37.750 |
| 5133847 | 2-1/2 | 24 | 24 | 24 | 3.000 | 37.750 |
| 5133837 | 3 | 24 | 24 | 24 | 3.125 | 37.750 |
| 5133893 | 3-1/2 | 24 | 24 | 24 | 3.250 | 37.750 |
| 5133822 | 4 | 24 | 24 | 24 | 3.375 | 37.750 |

Dimensions are nominal

Schedule 40 90° Elbow 30" Radius Plain End

| Part Number | Trade Size | "R" | "O" | "H" | "S" MIN | "L" |
|-------------|------------|-----|-----|-----|---------|--------|
| 5134147 | 3/4 | 30 | 30 | 30 | 1.500 | 47.125 |
| 5136340 | 1 | 30 | 30 | 30 | 1.875 | 47.125 |
| 5133878 | 1-1/4 | 30 | 30 | 30 | 2.000 | 47.125 |
| 5133921 | 1-1/2 | 30 | 30 | 30 | 2.000 | 47.125 |
| 5133920 | 2 | 30 | 30 | 30 | 2.000 | 47.125 |
| 5133981 | 2-1/2 | 30 | 30 | 30 | 3.000 | 47.125 |
| 5133867 | 3 | 30 | 30 | 30 | 3.125 | 47.125 |
| 5133948 | 3-1/2 | 30 | 30 | 30 | 3.250 | 47.125 |
| 5133850 | 4 | 30 | 30 | 30 | 3.375 | 47.125 |
| 5133872 | 5 | 30 | 30 | 30 | 3.625 | 47.125 |

Dimensions are nominal

Schedule 40 90° Elbow 36" Radius Plain End

| Part Number | Trade Size | "R" | "O" | "H" | "S" MIN | "L" |
|-------------|------------|-----|-----|-----|---------|--------|
| 5133949 | 3/4 | 36 | 36 | 36 | 1.500 | 56.500 |
| 5133852 | 1 | 36 | 36 | 36 | 1.875 | 56.500 |
| 5133884 | 1-1/4 | 36 | 36 | 36 | 2.000 | 56.500 |
| 5133866 | 1-1/2 | 36 | 36 | 36 | 2.000 | 56.500 |
| 5133848 | 2 | 36 | 36 | 36 | 2.000 | 56.500 |
| 5133857 | 2-1/2 | 36 | 36 | 36 | 3.000 | 56.500 |
| 5133820 | 3 | 36 | 36 | 36 | 3.125 | 56.500 |
| 5133818 | 3-1/2 | 36 | 36 | 36 | 3.250 | 56.500 |
| 5133821 | 4 | 36 | 36 | 36 | 3.375 | 56.500 |
| 5133841 | 5 | 36 | 36 | 36 | 3.625 | 56.500 |
| 5133877 | 6 | 36 | 36 | 36 | 3.750 | 56.500 |

Dimensions are nominal

Schedule 40 90° Elbow 48" Radius Plain End

| Part Number | Trade Size | "R" | "O" | "H" | "S" MIN | "L" |
|-------------|------------|-----|-----|-----|---------|--------|
| 5133864 | 1 | 48 | 48 | 48 | 1.875 | 75.375 |
| 5133871 | 1-1/4 | 48 | 48 | 48 | 2.000 | 75.375 |
| 5133865 | 1-1/2 | 48 | 48 | 48 | 2.000 | 75.375 |
| 5133876 | 2 | 48 | 48 | 48 | 2.000 | 75.375 |
| 5133849 | 2-1/2 | 48 | 48 | 48 | 3.000 | 75.375 |
| 5133817 | 3 | 48 | 48 | 48 | 3.125 | 75.375 |
| 5133892 | 3-1/2 | 48 | 48 | 48 | 3.250 | 75.375 |
| 5133843 | 4 | 48 | 48 | 48 | 3.375 | 75.375 |
| 5133842 | 5 | 48 | 48 | 48 | 3.625 | 75.375 |
| 5133816 | 6 | 48 | 48 | 48 | 3.750 | 75.375 |
| 5133993D | 8 | 48 | 48 | 48 | 6.625 | 75.375 |

Dimensions are nominal