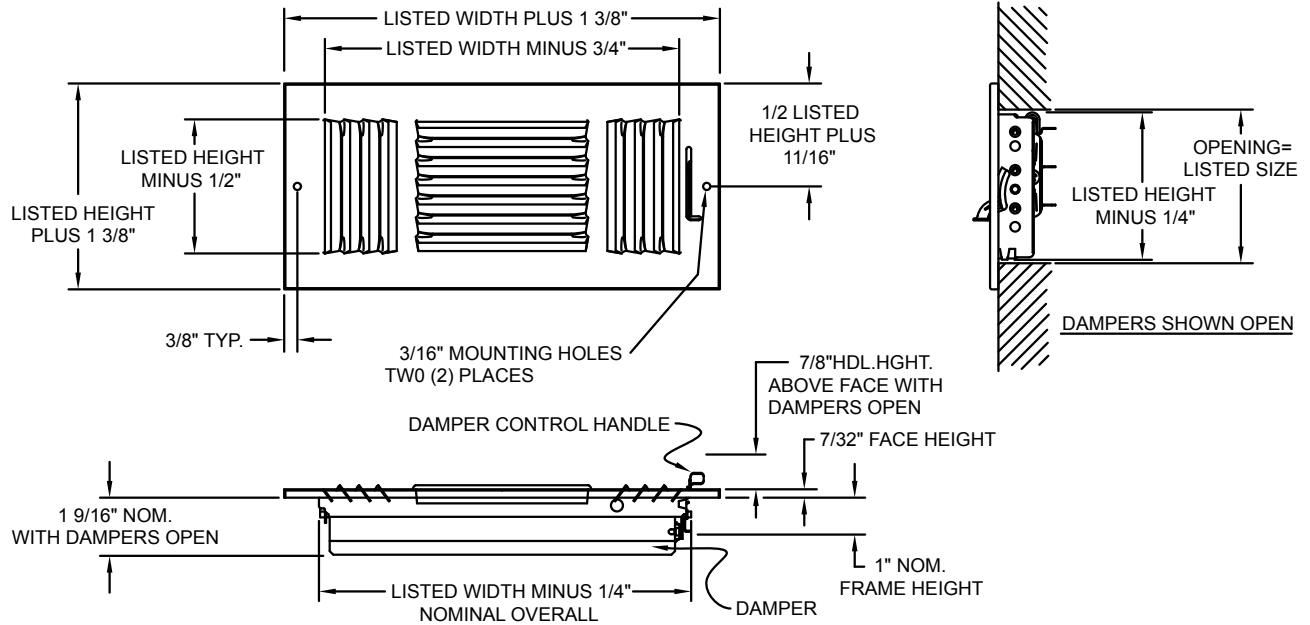


Description
<input type="checkbox"/> Lanced Face
<input type="checkbox"/> Multi-Shutter Damper
<input type="checkbox"/> 3-Way Diffusion
<input type="checkbox"/> 1/2" Spaced Fins
<input type="checkbox"/> White finish

Project Details	Submitted by:	23 Series 23
Job Title:		
Location:		
Architect:		
Engineer:		
Contractor:	Date:	SD-23-01



Description
<input type="checkbox"/> Lanced Face
<input type="checkbox"/> Multi-Shutter Damper
<input type="checkbox"/> 3-Way Diffusion
<input type="checkbox"/> 1/2" Spaced Fins
<input type="checkbox"/> White finish

Project Details	Submitted by:	23 Series 23
Job Title:		
Location:		
Architect:		
Engineer:		
Contractor:	Date:	SD-23-01