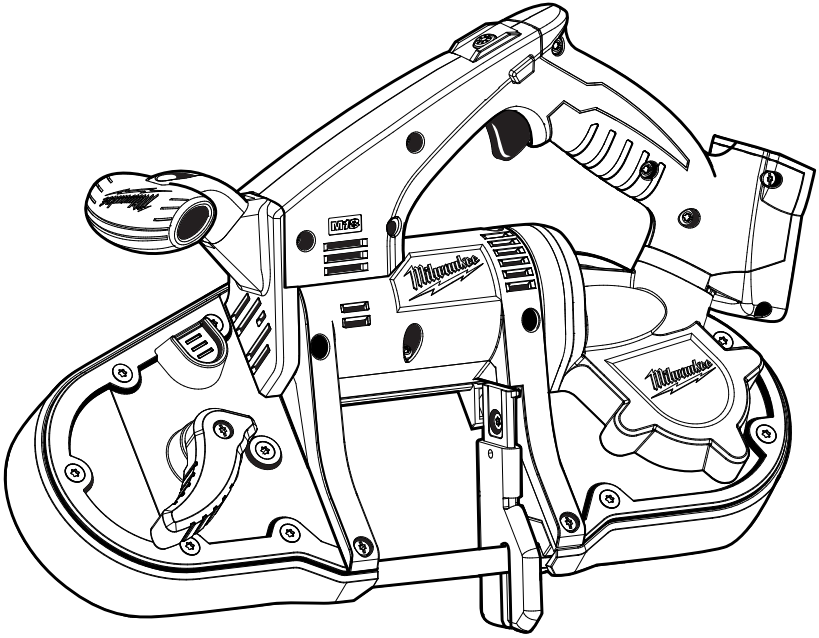




OPERATOR'S MANUAL
MANUEL de L'UTILISATEUR
MANUAL del OPERADOR



Cat. No. / No de cat.
2629-20

M18™ BAND SAW
SCIE À RUBAN M18™
SIERRA DE BANDA DE M18™



WARNING To reduce the risk of injury, user must read and understand operator's manual.

AVERTISSEMENT Afin de réduire le risque de blessures, l'utilisateur doit lire et bien comprendre le manuel.

ADVERTENCIA Para reducir el riesgo de lesiones, el usuario debe leer y entender el manual.

GENERAL POWER TOOL SAFETY WARNINGS

⚠WARNING Read all safety warnings, instructions, illustrations and specifications provided with this power tool. Failure to follow all instructions listed below may result in electric shock, fire and/or serious injury. **Save all warnings and instructions for future reference.** The term "power tool" in the warnings refers to your mains-operated (corded) power tool or battery-operated (cordless) power tool.

WORK AREA SAFETY

- **Keep work area clean and well lit.** Cluttered or dark areas invite accidents.
- **Do not operate power tools in explosive atmospheres, such as in the presence of flammable liquids, gases or dust.** Power tools create sparks which may ignite the dust or fumes.
- **Keep children and bystanders away while operating a power tool.** Distractions can cause you to lose control.

ELECTRICAL SAFETY

- **Power tool plugs must match the outlet. Never modify the plug in any way. Do not use any adapter plugs with earthed (grounded) power tools.** Unmodified plugs and matching outlets will reduce risk of electric shock.
- **Avoid body contact with earthed or grounded surfaces, such as pipes, radiators, ranges and refrigerators.** There is an increased risk of electric shock if your body is earthed or grounded.
- **Do not expose power tools to rain or wet conditions.** Water entering a power tool will increase the risk of electric shock.
- **Do not abuse the cord. Never use the cord for carrying, pulling or unplugging the power tool. Keep cord away from heat, oil, sharp edges or moving parts.** Damaged or entangled cords increase the risk of electric shock.
- **When operating a power tool outdoors, use an extension cord suitable for outdoor use.** Use of a cord suitable for outdoor use reduces the risk of electric shock.
- **If operating a power tool in a damp location is unavoidable, use a ground fault circuit interrupter (GFCI) protected supply.** Use of an GFCI reduces the risk of electric shock.

PERSONAL SAFETY

- **Stay alert, watch what you are doing and use common sense when operating a power tool. Do not use a power tool while you are tired or under the influence of drugs, alcohol or medication.** A moment of inattention while operating power tools may result in serious personal injury.
- **Use personal protective equipment. Always wear eye protection.** Protective equipment such as a dust mask, non-skid safety shoes, hard hat or hearing protection used for appropriate conditions will reduce personal injuries.
- **Prevent unintentional starting. Ensure the switch is in the off-position before connecting to power source and/or battery pack, picking up or carrying the tool.** Carrying power tools with your finger on the switch or energizing power tools that have the switch on invites accidents.

- **Remove any adjusting key or wrench before turning the power tool on.** A wrench or a key left attached to a rotating part of the power tool may result in personal injury.
- **Do not overreach. Keep proper footing and balance at all times.** This enables better control of the power tool in unexpected situations.
- **Dress properly. Do not wear loose clothing or jewelry. Keep your hair and clothing away from moving parts.** Loose clothes, jewelry or long hair can be caught in moving parts.
- **If devices are provided for the connection of dust extraction and collection facilities, ensure these are connected and properly used.** Use of dust collection can reduce dust-related hazards.
- **Do not let familiarity gained from frequent use of tools allow you to become complacent and ignore tool safety principles.** A careless action can cause severe injury within a fraction of a second.

POWER TOOL USE AND CARE

- **Do not force the power tool. Use the correct power tool for your application.** The correct power tool will do the job better and safer at the rate for which it was designed.
 - **Do not use the power tool if the switch does not turn it on and off.** Any power tool that cannot be controlled with the switch is dangerous and must be repaired.
 - **Disconnect the plug from the power source and/ or remove the battery pack, if detachable, from the power tool before making any adjustments, changing accessories, or storing power tools.** Such preventive safety measures reduce the risk of starting the power tool accidentally.
 - **Store idle power tools out of the reach of children and do not allow persons unfamiliar with the power tool or these instructions to operate the power tool.** Power tools are dangerous in the hands of untrained users.
 - **Maintain power tools and accessories. Check for misalignment or binding of moving parts, breakage of parts and any other condition that may affect the power tool's operation. If damaged, have the power tool repaired before use.** Many accidents are caused by poorly maintained power tools.
 - **Keep cutting tools sharp and clean.** Properly maintained cutting tools with sharp cutting edges are less likely to bind and are easier to control.
 - **Use the power tool, accessories and tool bits etc. in accordance with these instructions, taking into account the working conditions and the work to be performed.** Use of the power tool for operations different from those intended could result in a hazardous situation.
 - **Keep handles and grasping surfaces dry, clean and free from oil and grease.** Slippery handles and grasping surfaces do not allow for safe handling and control of the tool in unexpected situations.
- ### BATTERY TOOL USE AND CARE
- **Recharge only with the charger specified by the manufacturer.** A charger that is suitable for one type of battery pack may create a risk of fire when used with another battery pack.
 - **Use power tools only with specifically designated battery packs.** Use of any other battery packs may create a risk of injury and fire.

•When battery pack is not in use, keep it away from other metal objects, like paper clips, coins, keys, nails, screws or other small metal objects, that can make a connection from one terminal to another. Shorting the battery terminals together may cause burns or a fire.

•Under abusive conditions, liquid may be ejected from the battery; avoid contact. If contact accidentally occurs, flush with water. If liquid contacts eyes, additionally seek medical help. Liquid ejected from the battery may cause irritation or burns.

•Do not use a battery pack or tool that is damaged or modified. Damaged or modified batteries may exhibit unpredictable behavior resulting in fire, explosion or risk of injury.

•Do not expose a battery pack or tool to fire or excessive temperature. Exposure to fire or temperature above 265°F (130°C) may cause explosion.

•Follow all charging instructions and do not charge the battery pack or tool outside the temperature range specified in the instructions. Charging improperly or at temperatures outside the specified range may damage the battery and increase the risk of fire.

SERVICE

•Have your power tool serviced by a qualified repair person using only identical replacement parts. This will ensure that the safety of the power tool is maintained.

•Never service damaged battery packs. Service of battery packs should only be performed by the manufacturer or authorized service providers.

SPECIFIC SAFETY RULES FOR BAND SAW

•Hold power tool by insulated gripping surfaces, when performing an operation where the cutting accessory may contact hidden wiring. Cutting accessories contacting a "live" wire may make exposed metal parts of the power tool "live" and could give the operator an electric shock.

⚠ DANGER Keep hands away from cutting area and the blade. Keep your second hand on handle. If both hands are holding the saw, they cannot be cut by the blade.

•Always use common sense and be cautious when using tools. It is not possible to anticipate every situation that could result in a dangerous outcome. Do not use this tool if you do not understand these operating instructions or you feel the work is beyond your capability; contact Milwaukee Tool or a trained professional for additional information or training.

•Maintain labels and nameplates. These carry important information. If unreadable or missing, contact a MILWAUKEE service facility for a free replacement.

⚠ WARNING Some dust created by power sanding, sawing, grinding, drilling, and other construction activities contains chemicals known to cause cancer, birth defects or other reproductive harm. Some examples of these chemicals are:

- lead from lead-based paint
- crystalline silica from bricks and cement and other masonry products, and
- arsenic and chromium from chemically-treated lumber.

Your risk from these exposures varies, depending on how often you do this type of work. To reduce your exposure to these chemicals: work in a well ventilated area, and work with approved safety equipment, such as those dust masks that are specially designed to filter out microscopic particles.

SYMBOLGY



Volts



Direct Current

SFPM

Surface Feet per Minute (SFPM)



UL Listing for Canada and U.S.

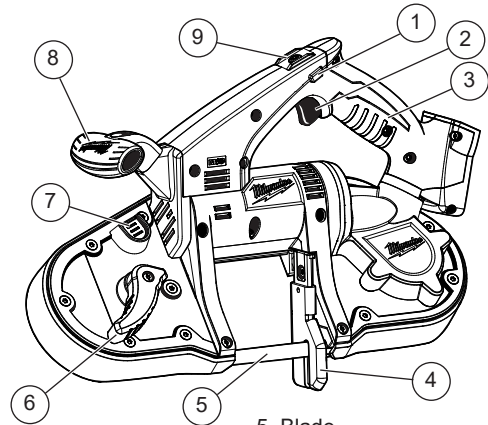
SPECIFICATIONS

Cat. No.....	2629-20
Volts.....	18 DC
Battery Type.....	M18™
Charger Type.....	M18™
SFPM.....	480
Recommended Blades.....	35-3/8" X 1/2" X .020 Bi-Metal

Capacities

Round Stock.....	3-1/4"
Rectangular Stock.....	3-1/4" x 3-1/4"
Recommended Ambient Operating Temperature.....	0°F to 125°F

FUNCTIONAL DESCRIPTION



- | | |
|--------------------|-------------------------|
| 1. Lock-off button | 5. Blade |
| 2. Trigger | 6. Tension lock handle |
| 3. Handle | 7. Blade release button |
| 4. Material guide | 8. Front handle |
| | 9. LED ON button |

ASSEMBLY

⚠ WARNING Recharge only with the charger specified for the battery. For specific charging instructions, read the operator's manual supplied with your charger and battery.

Removing/Inserting the Battery

To remove the battery, push in the release buttons and pull the battery pack away from the tool.

⚠WARNING Always remove battery pack before changing or removing accessories.

To insert the battery, slide the pack into the body of the tool. Make sure it latches securely into place.

⚠WARNING Only use accessories specifically recommended for this tool. Others may be hazardous.

Blades and Blade Selection

The blade dimensions required for this band saw is: .020" thickness, 1/2" width and 35-3/8" in length. The special .020" thickness reduces flexure fatigue and provides maximum tooth life. To maximize cutting life, use a blade with the correct pitch (teeth per inch) for the specific cutting job.

Blades are available in several pitches. To select the proper blade, three factors should be considered: The size, shape, and type of material to be cut.

The following suggestions are for selecting the right blade for various cutting operations. Keep in mind that these are broad guidelines and that blade requirements may vary depending upon the specific size, shape and type of material to be cut. Generally, soft materials require coarse pitch blades and hard materials require fine pitch blades. Use coarse pitch blades for thick work and fine pitch blades for thin work. It is important to keep at least three teeth in the cut (see "Typical Application").

10 Teeth per Inch	• For tough stock 3/16" up to 1-5/8" in diameter or width.
14 Teeth per Inch	• For tough stock 5/32" to 3/4" in diameter or width.
18 Teeth per Inch	• For thin-wall tubing and thin sheets heavier than 21 gauge.
24 Teeth per Inch	• For thin-wall tubing and thin sheets heavier than 21 gauge.

Changing Blades

1. REMOVE BATTERY PACK BEFORE CHANGING OR REMOVING BLADES.
2. Raise the material guide to the upper position.
3. Turn the tension lock handle located on the front of the saw 180° counterclockwise.
4. To remove the blade:
 - a. Pull the blade out of the guides.

⚠WARNING Do not touch blade immediately after use. Blade will be hot.

- b. Then, press the Blade Release Button to lift the blade above the blade guard and remove completely.
5. To install a blade:
 - a. Fit the blade around the pulleys.

NOTE: Be sure the teeth face out.
 - b. Firmly press the blade between the guides.
 6. Turn the tension lock handle 180° clockwise to secure the blade on the pulleys.
 7. Adjust the material guide to the desired position.
 8. Be sure that the blade lies freely within the guard channel before starting the tool motor.

BE SURE THAT THE BLADE IS PROPERLY SEATED ON THE PULLEYS BEFORE STARTING THE CUT.

LED Worklight

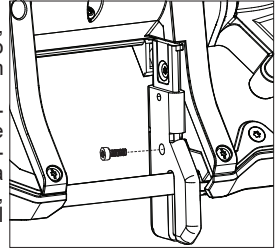
The LED worklight is turned on automatically when the trigger is pulled. To turn on the LED to line-up a cut or light-up the workpiece, press the LED On Button. The LED will go off automatically after about 30 seconds.

Adjusting the 2-Position Material Guide

1. Remove the battery pack.
2. To raise the guide to the upper position, press up firmly to disengage the bottom position detent. Slide the guide to the upper position.
3. To lower the guide, pull down firmly to engage the bottom-position detent.

Fixed Material Guide

1. Remove the battery.
2. To lower the guide, pull down firmly to engage the bottom position detent.
3. Insert the provided screw into the hole on the material guide. Using a 3 mm hex wrench, screw into the tool until snug.



OPERATION

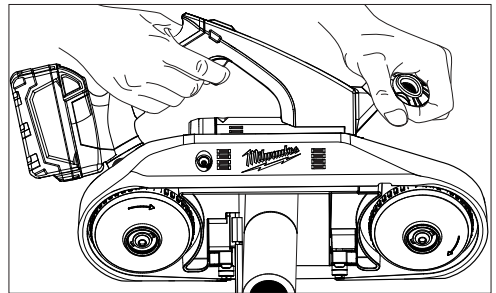
⚠WARNING Always remove battery pack before changing or removing accessories. Only use accessories specifically recommended for this tool. Others may be hazardous.

To reduce the risk of injury, wear safety goggles or glasses with side shields. Keep hands away from the blade and all moving parts.

Starting and Stopping

1. To start the tool, grasp the handle firmly. Push the lock-off button down, then pull the trigger. Allow the motor to reach full speed before beginning the cut.

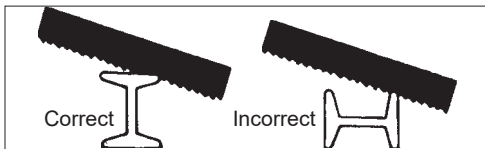
NOTE: The LED is turned on when the trigger is pulled.



2. To stop the tool, release the trigger. Allow the tool to come to a complete stop before removing the blade from a partial cut or laying the tool down.

Typical Application

1. Keep the blade off the workpiece until the motor has reached full speed.
2. Start cutting on a surface where the greatest number of teeth will be in contact with the workpiece at one time.



3. Place the material guide against the workpiece and lower the moving saw blade into the cut.
4. Do not bear down while cutting. The weight of the tool will supply adequate pressure for the fastest cutting.
5. When completing a cut, hold the tool firmly so it will not fall against the workpiece.

MAINTENANCE

⚠WARNING To reduce the risk of injury, always unplug the charger and remove the battery pack from the charger or tool before performing any maintenance. Never disassemble the tool, battery pack or charger. Contact a MILWAUKEE service facility for ALL repairs.

Maintaining Tool

Keep your tool, battery pack and charger in good repair by adopting a regular maintenance program. Inspect your tool for issues such as undue noise, misalignment or binding of moving parts, breakage of parts, or any other condition that may affect the tool operation. Return the tool, battery pack, and charger to a MILWAUKEE service facility for repair. After six months to one year, depending on use, return the tool, battery pack and charger to a MILWAUKEE service facility for inspection.

If the tool does not start or operate at full power with a fully charged battery pack, clean the contacts on the battery pack. If the tool still does not work properly, return the tool, charger and battery pack, to a MILWAUKEE service facility for repairs.

⚠WARNING To reduce the risk of personal injury and damage, never immerse your tool, battery pack or charger in liquid or allow a liquid to flow inside them.

Cleaning

Clean dust and debris from vents. Keep handles clean, dry and free of oil or grease. Use only mild soap and a damp cloth to clean, since certain cleaning agents and solvents are harmful to plastics and other insulated parts. Some of these include gasoline, turpentine, lacquer thinner, paint thinner, chlorinated cleaning solvents, ammonia and household detergents containing ammonia. Never use flammable or combustible solvents around tools.

Repairs

For repairs, return the tool, battery pack and charger to the nearest service center.

ACCESSORIES

⚠WARNING Use only recommended accessories. Others may be hazardous.

For a complete listing of accessories, go online to www.milwaukeetool.com or contact a distributor.

SERVICE - UNITED STATES

1-800-SAWDUST (1.800.729.3878)

Monday-Friday, 7:00 AM - 6:30 PM CST

or visit www.milwaukeetool.com

Contact Corporate After Sales Service Technical Support with technical, service/repair, or warranty questions.

Email: metproductsupport@milwaukeetool.com

Become a Heavy Duty Club Member at www.milwaukeetool.com to receive important notifications regarding your tool purchases.

SERVICE - CANADA

Milwaukee Tool (Canada) Ltd

1.800.268.4015

Monday-Friday, 7:00 AM - 4:30 PM CST

or visit www.milwaukeetool.ca

LIMITED WARRANTY USA & CANADA

Every MILWAUKEE power tool* (see exceptions below) is warranted to the original purchaser only to be free from defects in material and workmanship. Subject to certain exceptions, MILWAUKEE will repair or replace any part on an electric power tool which, after examination, is determined by MILWAUKEE to be defective in material or workmanship for a period of five (5) years** after the date of purchase unless otherwise noted. Return of the power tool to a MILWAUKEE factory Service Center location or MILWAUKEE Authorized Service Station, freight prepaid and insured, is required. A copy of the proof of purchase should be included with the return product. This warranty does not apply to damage that MILWAUKEE determines to be from repairs made or attempted by anyone other than MILWAUKEE authorized personnel, misuse, alterations, abuse, normal wear and tear, lack of maintenance, or accidents.

Normal Wear: Many power tools need periodic parts replacement and service to achieve best performance. This warranty does not cover repair when normal use has exhausted the life of a part including, but not limited to, chucks, brushes, cords, saw shoes, blade clamps, o-rings, seals, bumpers, driver blades, pistons, strikers, lifters, and bumper cover washers.

*This warranty does not cover Air Nailers & Staplers; Airless Paint Sprayer; Cordless Battery Packs; Gasoline Driven Portable Power Generators; Hand Tools; Hoist - Electric, Lever & Hand Chain; M12™ Heated Gear; Reconditioned Product; and Test & Measurement Products. There are separate and distinct warranties available for these products.

**The warranty period for Job Site Radios, M12™ Power Port, M18™ Power Source, Jobsite Fan and Trade Titan™ Industrial Work Carts is one (1) year from the date of purchase. The warranty period for the Drain Cleaning Cables is two (2) years from the date of purchase. The warranty period for the M18™ Compact Heat Gun and the 8 Gallon Dust Extractor is three (3) years from the date of purchase. The warranty period for the LED in the LED Work Light and the LED Upgrade Bulb for the Work Light is the lifetime of the product subject to the limitations above. If during normal use the LED or LED Bulb fails, the part will be replaced free of charge.

Warranty Registration is not necessary to obtain the applicable warranty on a MILWAUKEE power tool product. The manufacturing date of the product will be used to determine the warranty period if no proof of purchase is provided at the time warranty service is requested.

ACCEPTANCE OF THE EXCLUSIVE REPAIR AND REPLACEMENT REMEDIES DESCRIBED HEREIN IS A CONDITION OF THE CONTRACT FOR THE PURCHASE OF EVERY MILWAUKEE PRODUCT. IF YOU DO NOT AGREE TO THIS CONDITION, YOU SHOULD NOT PURCHASE THE PRODUCT. IN NO EVENT SHALL MILWAUKEE BE LIABLE FOR ANY INCIDENTAL, SPECIAL, CONSEQUENTIAL OR PUNITIVE DAMAGES, OR FOR ANY COSTS, ATTORNEY FEES, EXPENSES, LOSSES OR DELAYS ALLEGED TO BE AS A CONSEQUENCE OF ANY DAMAGE TO, FAILURE OF, OR DEFECT IN ANY PRODUCT INCLUDING, BUT NOT LIMITED TO, ANY CLAIMS FOR LOSS OF PROFITS. SOME STATES DO NOT ALLOW THE EXCLUSION OR LIMITATION OF INCIDENTAL OR CONSEQUENTIAL DAMAGES, SO THE ABOVE LIMITATION OR EXCLUSION MAY NOT APPLY TO YOU. THIS WARRANTY IS EXCLUSIVE AND IN LIEU OF ALL OTHER EXPRESS WARRANTIES, WRITTEN OR ORAL. TO THE EXTENT PERMITTED BY LAW, MILWAUKEE DISCLAIMS ANY IMPLIED WARRANTIES, INCLUDING WITHOUT LIMITATION ANY IMPLIED WARRANTY OF MERCHANTABILITY OR FITNESS FOR A PARTICULAR USE OR PURPOSE. TO THE EXTENT SUCH DISCLAIMER IS NOT PERMITTED BY LAW, SUCH IMPLIED WARRANTIES ARE LIMITED TO THE DURATION OF THE APPLICABLE

EXPRESS WARRANTY AS DESCRIBED ABOVE. SOME STATES DO NOT ALLOW LIMITATIONS ON HOW LONG AN IMPLIED WARRANTY LASTS. SO THE ABOVE LIMITATION MAY NOT APPLY TO YOU. THIS WARRANTY GIVES YOU SPECIFIC LEGAL RIGHTS, AND YOU MAY ALSO HAVE OTHER RIGHTS WHICH VARY FROM STATE TO STATE.

This warranty applies to product sold in the U.S.A. and Canada only. Please consult the 'Service Center Search' in the Parts & Service section of MILWAUKEE's website www.milwaukeeetool.com or call 1.800.SAWDUST (1.800.729.3878) to locate your nearest service facility for warranty and non-warranty service on a Milwaukee electric power tool.

LIMITED WARRANTY - MEXICO, CENTRAL AMERICA & CARIBBEAN

TECHTRONIC INDUSTRIES' warranty is for 5 years since the original purchase date.

This warranty card covers any defect in material and workmanship on this Product.

To make this warranty valid, present this warranty card, sealed/stamped by the distributor or store where you purchased the product, to the Authorized Service Center (ASC). Or, if this card has not been sealed/stamped, present the original proof of purchase to the ASC. Call toll-free 1 01 (800) 030-7777 to find the nearest ASC, for service, parts, accessories or components.

Procedure to make this warranty valid

Take the product to the ASC, along with the warranty card sealed/stamped by the distributor or store where you purchased the product, and any faulty piece or component will be replaced without cost for you. We will cover all freight costs relative with this warranty process.

Exceptions

This warranty is not valid in the following situations

- When the product is used in a different manner from the end-user guide or instruction manual.
- When the conditions of use are not normal.
- When the product was modified or repaired by people not authorized by TECHTRONIC INDUSTRIES.

Note: If cord set is damaged, it should be replaced by an Authorized Service Center to avoid electric risks.

SERVICE AND ATTENTION CENTER

Call to 01 (800) 030-7777

IMPORTED AND COMMERCIALIZED BY
TECHTRONIC INDUSTRIES MEXICO, SA DE CV
Av Preident Masarik #29 piso 7, Col. Polanco V Sección
CP 11560, Deleg. Miguel Hidalgo, CDMX

Model: _____

Date of Purchase: _____

Distributor or Store Stamp: _____

RÈGLES DE SÉCURITÉ GÉNÉRALES RELATIVES AUX OUTILS ÉLECTRIQUES

AVERTISSEMENT Lire toutes les consignes de sécurité, consignes, illustrations et spécifications fournies avec cet outil électrique. Ne pas suivre l'ensemble des règles et instructions peut entraîner une électrocution, un incendie ou des blessures graves. Conserver les règles et les instructions à des fins de référence ultérieure. Le terme «outil électrique» figurant dans les avertissements ci-dessous renvoie à l'outil électrique à alimentation par le réseau (à cordon) ou par batterie (sans fil).

SÉCURITÉ DU LIEU DE TRAVAIL

- Veillez à ce que l'aire de travail soit propre et bien éclairée. Le désordre et le manque de lumière favorisent les accidents.
- Ne pas utiliser d'outils électriques dans des atmosphères explosives, par exemple en présence de liquides, gaz ou poussières inflammables. Les outils électriques produisent des étincelles risquant d'enflammer les poussières ou vapeurs.

• S'assurer que les enfants et les curieux se trouvent à une bonne distance au moment d'utiliser un outil électrique. Les distractions peuvent causer une perte de contrôle.

SÉCURITÉ ÉLECTRIQUE

- Les fiches des outils électriques doivent correspondre à la prise secteur utilisée. Ne jamais modifier la fiche, de quelque façon que ce soit. Ne jamais utiliser d'adaptateurs de fiche avec des outils mis à la terre. Les fiches et prises non modifiées réduisent le risque de choc électrique.
- Éviter tout contact avec des surfaces mises à la terre comme des tuyaux, des radiateurs, des cuisinières et des réfrigérateurs. Le risque de choc électrique est accru lorsque le corps est mis à la terre.
- Ne pas exposer les outils électriques à l'eau ou l'humidité. La pénétration d'eau dans ces outils accroît le risque de choc électrique.
- Ne pas maltraiter le cordon d'alimentation. Ne jamais utiliser le cordon d'alimentation pour transporter l'outil électrique et ne jamais débrancher ce dernier en tirant sur le cordon. Garder le cordon à l'écart de la chaleur, de l'huile, des objets tranchants et des pièces en mouvement. Un cordon endommagé ou emmêlé accroît le risque de choc électrique.
- Pour les travaux à l'extérieur, utiliser un cordon spécialement conçu à cet effet. Utiliser un cordon conçu pour l'usage extérieur réduit les risques de choc électrique.
- Si l'utilisation d'un outil électrique est inévitable dans un endroit humide, utiliser une source d'alimentation munie d'un disjoncteur de fuite de terre. L'utilisation d'un disjoncteur de fuite de terre réduit le risque de choc électrique.

SÉCURITÉ INDIVIDUELLE

- Rester attentif, prêter attention au travail et faire preuve de bon sens lors de l'utilisation de tout outil électrique. Ne pas utiliser cet appareil en cas de fatigue ou sous l'influence de l'alcool, de drogues ou de médicaments. Un moment d'inattention pendant l'utilisation d'un outil électrique peut entraîner des blessures graves.
- Porter l'équipement de protection individuel requis. Toujours porter une protection oculaire. Selon les conditions, porter aussi un masque anti-poussières, des bottes de sécurité antidérapantes, un casque protecteur ou une protection auditive afin de réduire les blessures.
- Empêcher les démarrages accidentels. S'assurer que la gâchette est en position d'arrêt avant de brancher l'outil à une source de courant, d'insérer la batterie, de le ramasser ou de le transporter. Le fait de transporter un outil électrique en gardant le doigt sur la gâchette ou de mettre sous tension un outil électrique lorsque la gâchette est en position de marche favorise les accidents.
- Retirer les clés de réglage avant de mettre l'outil en marche. Une clé laissée sur une pièce rotative de l'outil peut causer des blessures.
- Ne pas travailler hors de portée. Toujours se tenir bien campé et en équilibre. Une bonne stabilité procure un meilleur contrôle de l'outil électrique en cas d'imprévu.
- Porter une tenue appropriée. Ne porter ni vêtements amples, ni bijoux. Garder les cheveux et les vêtements à l'écart des pièces en mouvement.

Les vêtements flottants, les bijoux ou les cheveux longs risquent d'être happés par les pièces en mouvement.

- **Si les outils sont équipés de dispositifs de dépoussiérage, s'assurer qu'ils sont connectés et correctement utilisés.** L'utilisation d'un collecteur de poussière permet de réduire les dangers liés à la poussière.
- **Ne pas laisser la familiarité avec l'outil acquise par une utilisation fréquente vous rendre suffisant et vous amener à ignorer les règles de sécurité.** Une utilisation négligée peut causer une blessure grave en une fraction de seconde.

UTILISATION ET ENTRETIEN DE L'OUTIL ÉLECTRIQUE

- **Ne pas forcer l'outil électrique. Utiliser l'outil électrique approprié pour l'application.** Un outil électrique approprié exécutera le travail mieux et de façon moins dangereuse s'il est utilisé dans les limites prévues.
- **Ne pas utiliser l'outil électrique si le commutateur ne permet pas de le mettre en marche ou de l'arrêter.** Tout outil électrique qui ne peut pas être contrôlé par son commutateur est dangereux et doit être réparé.
- **Débrancher l'outil et/ou retirer le bloc-piles, si possible, avant d'effectuer des réglages, de changer d'accessoire ou de remiser l'outil.** Ces mesures de sécurité préventives réduisent les risques de démarrage accidentel de l'outil.
- **Entreposer l'outil électrique hors de la portée des enfants et interdire à quiconque de l'utiliser si la personne ne connaît pas bien le produit ou les instructions.** Les outils électriques sont dangereux dans les mains d'utilisateurs novices.
- **Entretenir les outils électriques et les accessoires. Vérifier qu'aucune pièce mobile n'est mal alignée ou bloquée, qu'aucune pièce n'est brisée et s'assurer qu'aucun autre problème risque d'affecter le bon fonctionnement de l'outil.** En cas de dommages, faire réparer l'outil avant de l'utiliser. Plusieurs accidents sont causés par des produits mal entretenus.
- **Garder les outils bien affûtés et propres.** Des outils correctement entretenus et dont les tranchants sont bien affûtés risquent moins de se bloquer et sont plus faciles à contrôler.
- **Utiliser l'outil électrique, les accessoires, les embouts etc. conformément à ces instructions en tenant compte des conditions de travail et de la tâche à effectuer.** L'usage d'un outil électrique pour des applications pour lesquelles il n'est pas conçu peut être dangereux.
- **Garder les poignées et les surfaces de préhension sèches, propres et exemptes d'huile ou de graisse.** Des poignées et des surfaces de préhension glissantes ne permettent pas de manipuler et de contrôler l'outil en toute sécurité en cas de situation imprévue.

UTILISATION ET ENTRETIEN DE LA BATTERIE

- **Pour recharger le bloc-piles, utiliser seulement le chargeur spécifié par le fabricant.** Un chargeur pouvant convenir à un type de bloc-piles peut entraîner un risque d'incendie lorsqu'il est utilisé avec un autre type de bloc-piles.
- **N'utiliser l'outil électrique qu'avec une batterie recommandée.** L'utilisation de tout autre bloc-piles peut créer un risque de blessures et d'incendie.

- **Lorsque le bloc-piles n'est pas utilisé, le tenir éloigné des objets en métal tels que les trombones, les pièces de monnaie, les clés, les clous, les vis ou d'autres petits objets métalliques qui pourraient connecter les bornes.** Le court-circuitage des bornes d'une pile peut entraîner des brûlures ou un incendie.
- **Éviter tout contact avec le liquide pouvant être éjecté de la pile en cas de manutention abusive.** En cas de contact accidentel, rincer immédiatement les parties atteintes avec de l'eau. Si le liquide entre en contact avec les yeux, consulter un médecin. Le liquide éjecté des piles peut causer des irritations ou des brûlures.
- **N'utiliser aucun bloc-piles ni aucun outil ayant été endommagé ou modifié.** Des piles endommagées ou modifiées peuvent adopter un comportement imprévisible pouvant causer un incendie, une explosion ou le risque de blessures.
- **Nas pas exposer le bloc-piles ou l'outil aux flammes ou à une température excessive.** Une exposition aux flammes ou à une température supérieure à 130°C (265°F) peut causer une explosion.
- **Suivre toutes les instructions de charge et ne pas charger le bloc-piles ou l'outil en dehors de la plage de température spécifiée.** Une charge incorrecte ou à des températures en dehors de la plage spécifiée peut endommager la pile et augmenter le risque d'incendie.

ENTRETIEN

- **Les réparations de l'outil électrique doivent être confiées à un technicien qualifié, utilisant exclusivement des pièces identiques à celles d'origine.** Le maintien de la sûreté de l'outil électrique sera ainsi assuré.
- **Ne jamais effectuer la réparation d'un bloc-piles endommagé.** La réparation du bloc-piles doit être réalisée par le fabricant ou les fournisseurs de service agréés uniquement.

RÈGLES DE SÉCURITÉ SPÉCIFIQUES POUR SCIE À RUBAN

- **Tenir l'outil par les surfaces de prise isolées si, au cours des travaux, l'outil de coupe risque d'entrer en contact avec des fils cachés.** Le contact avec un fil sous tension met les parties métalliques exposées de l'outil sous tension, ce qui infligera un choc électrique à l'opérateur.
- **⚠ DANGER Garder les mains à l'écart de la zone de coupe et de la lame. Garder la deuxième main sur la poignée auxiliaire.** Lorsque les deux mains sont utilisées pour tenir la scie, elles ne risquent pas d'être coupées par la lame.
- **Toujours faire preuve de bons sens et procéder avec prudence lors de l'utilisation d'outils.** C'est impossible de prévoir toutes les situations dont le résultat est dangereux. Ne pas utiliser cet outil si vous ne comprenez pas ces instructions d'opération ou si vous pensez que le travail dépasse votre capacité ; veuillez contacter Milwaukee Tool ou un professionnel formé pour recevoir plus d'information ou formation.
- **Maintenir en l'état les étiquettes et les plaques d'identification.** Des informations importantes y figurent. Si elles sont illisibles ou manquantes, contacter un centre de services et d'entretien MILWAUKEE pour un remplacement gratuit.

AVERTISSEMENT Certaines poussières générées par les activités de ponçage, de coupe, de rectification, de perçage et d'autres activités de construction contiennent des substances considérées être la cause de malformations congénitales et de troubles de l'appareil reproducteur. Parmi ces substances figurent:

- le plomb contenu dans les peintures à base de plomb;
 - la silice cristalline des briques, du ciment et d'autres matériaux de maçonnerie, ainsi que
 - l'arsenic et le chrome des sciages traités chimiquement.
- Les risques encourus par l'opérateur envers ces expositions varient en fonction de la fréquence de ce type de travail. Pour réduire l'exposition à ces substances chimiques, l'opérateur doit: travailler dans une zone bien ventilée et porter l'équipement de sécurité approprié, tel qu'un masque anti-poussière spécialement conçu pour filtrer les particules microscopiques.

SPÉCIFICATIONS

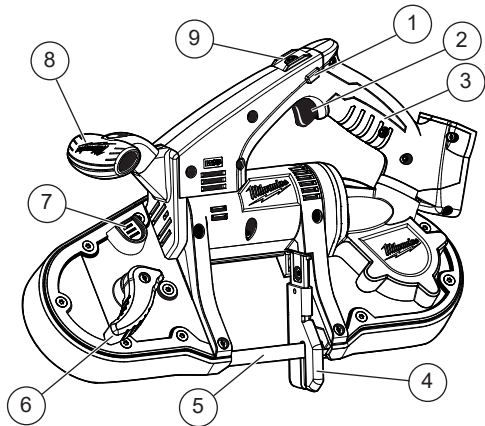
No de Cat..... **2629-20**
 Volts..... 18 CD
 Type de batterie M18™
 Type de chargeur M18™
 SFPM.....480
 Lames recommandées .. 900 mm x 13 mm x 0,5 mm
 (35-3/8" x 1/2" x 0,02")
 Lame bimétallique

Caractéristiques

Matériau rond.....83 mm (3-1/4")
 Matériau rectangulaire.....83 mm x 83 mm
 (3-1/4" x 3-1/4")

Température ambiante de fonctionnement recommandée-18°C à 50°C (0°F à 125°F)

DESCRIPTION FONCTIONNELLE



1. Bouton de verrouillage
2. Gâchette
3. Poignée
4. Point d'appui
5. Lame
6. Poignée de verrouillage de la tension
7. Bouton de dégagement de lame
8. Poignée avant
9. Bouton « DÉL On » (DÉL allumée)

PICTOGRAPHIE

V Volts

--- Courant direct

SFPM Surfaces pieds par minute (SFPM)

UL Listing Mark pour Canada et États-unis

MONTAGE DE L'OUTIL

AVERTISSEMENT Ne recharger la batterie qu'avec le chargeur spécifié. Pour les instructions de charge spécifiques, lire le manuel d'utilisation fourni avec le chargeur et les batteries.

Insertion/Retrait de la batterie

Pour retirer la batterie, enfoncer les boutons de déverrouillage et la tirer hors de l'outil.

AVERTISSEMENT Il faut toujours retirer la batterie et verrouiller la détente de l'outil avant de changer ou d'enlever les accessoires.

Pour insérer la batterie, la glisser dans le corps de l'outil. S'assurer qu'elle est fixée solidement.

AVERTISSEMENT L'emploi d'accessoires autres que ceux qui sont expressément recommandés pour cet outil peut comporter des risques.

Lames et sélection des lames

Les dimensions de la lame requises pour les scies à ruban sont : 0,5 mm d'épaisseur, 13 mm de large et 900 mm de long. L'épaisseur spéciale de 0,5 mm réduit la fatigue par flexion et assure une longévité maximum des dents. Pour maximiser la longévité, utiliser une lame ayant le pas (dents par pouce) correct pour le travail de coupe spécifique.

Les lames sont disponibles en différents pas. Pour sélectionner la lame adaptée, trois facteurs doivent être considérés : la taille, la forme et le type de matériau à découper.

Les suggestions suivantes permettent de sélectionner la bonne lame pour diverses opérations de coupe. Garder à l'esprit que ces directives sont générales et que les exigences des lames peuvent varier selon la taille, la forme et le type spécifiques du matériau à couper. Généralement, des matériaux tendres nécessitent des lames à grand pas et des matériaux durs nécessitent des lames à petit pas. Utiliser des lames à grand pas pour un ouvrage épais et des lames à petit pas pour un ouvrage fin. Il est important de garder au moins trois dents dans la coupe (voir « Application typique »).

	Pour un matériau dur de 5 mm jusqu'à 41 mm de diamètre ou de large.
	Pour un matériau dur de 4 mm à 19 mm de diamètre ou de large.
	Pour une tuyauterie à paroi fine ou des feuilles fines d'une épaisseur supérieure au calibre 21.
	Pour une tuyauterie à paroi fine ou des feuilles fines d'une épaisseur supérieure au calibre 21.

Changement de lames

1. RETIRER LE BLOC-PILES AVANT DE CHANGER OU DE RETIRER LES LAMES.
2. Relever le point d'appui jusqu'à la position supérieure.
3. Tourner la poignée de verrouillage de la tension située à l'avant de la scie de 180° dans le sens antihoraire.

⚠ AVERTISSEMENT Ne pas toucher la lame juste après l'utilisation. La lame sera chaude.

4. Pour retirer la lame :
 - a. Tirer la lame hors des guides.
 - b. Puis, appuyer sur le bouton de dégagement de la lame pour soulever la lame au-dessus du protège-lame et la retirer complètement.
5. Pour installer une lame :
 - a. Ajuster la lame autour des poulies.
N.B. : S'assurer que les dents sont dirigées vers l'extérieur.
 - b. Pousser fermement la lame entre les guides.
6. Tourner la poignée de verrouillage de la tension de 180° dans le sens horaire pour fixer solidement la lame sur les poulies.
7. Ajustez le point d'appui de la position désirée
8. S'assurer que la lame repose librement dans la voie du protège-lame avant de démarrer le moteur de l'outil.
S'ASSURER QUE LA LAME EST BIEN APPUYÉE SUR LES POULIES AVANT D'ENTAMER LA COUPE.

DÉL du Travail

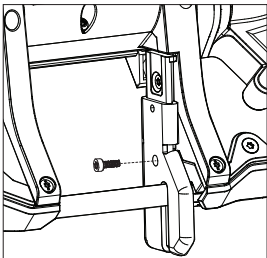
La DÉL du travail s'allume automatiquement lorsque l'utilisateur appuie sur la gâchette. Pour allumer la DÉL afin d'aligner une coupe ou d'éclairer la pièce à travailler, appuyer sur le bouton « DÉL On » (DÉL allumée). La DÉL s'éteint automatiquement après 30 secondes.

Régler le point d'appui à deux positions

1. Retirer le bloc-piles.
2. Pour relever le point d'appui, le pousser fermement vers le haut pour dégager la détente inférieure. Glisser le point d'appui vers le haut.
3. Pour abaisser le point d'appui, le tirer fermement vers le bas pour engager la détente inférieure.

Guide de réglage fixe

1. Débrancher l'outil ou retirer le bloc-piles.
2. Pour abaisser le guide, le tirer fermement vers le bas pour engager la détente inférieure.
3. Insérer la vis fournie dans le trou sur le guide de réglage. À l'aide d'une clé hexagonale 3 mm, visser la vis dans l'outil jusqu'à ce qu'elle soit bien serrée.



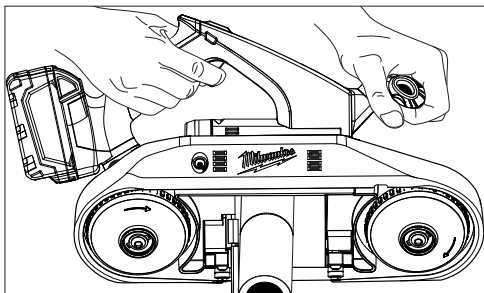
MANIEMENT

⚠ AVERTISSEMENT Il faut toujours retirer la batterie et verrouiller la détente de l'outil avant de changer ou d'enlever les accessoires. L'emploi d'accessoires autres que ceux qui sont expressément recommandés pour cet outil peut comporter des risques.

Pour minimiser les risques de blessures, portez des lunettes à coques latérales. Garder les mains à l'écart de la lame et des autres pièces en mouvement.

Démarrage et arrêt

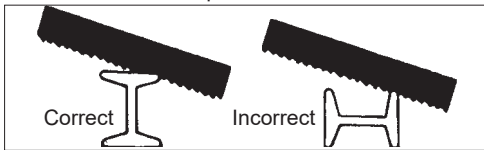
1. Pour **démarrer** l'outil. Poussez le bouton de verrouillage vers le bas, vers puis tirez la gâchette. Permettre au moteur d'atteindre sa pleine vitesse avant de commencer la coupe.
N.B. : La DÉL du travail s'allume lorsque l'utilisateur appuie sur la gâchette.



2. Pour **arrêter** l'outil, relâcher la gâchette. Laisser l'outil s'arrêter complètement avant de retirer la lame d'une coupe partielle ou de déposer l'outil.

Application typique

1. Garder la lame hors de la pièce de fabrication jusqu'à ce que le moteur atteigne la vitesse sélectionnée.
2. Commencer à découper sur une surface où le plus grand nombre de dents est simultanément en contact avec la pièce de fabrication.



3. Placer le support de travail contre la pièce de travail et abaisser la lame de la scie en mouvement dans la coupe.
4. Ne pas appuyer lors de la coupe. Le poids de l'outil assure une pression adaptée pour la coupe la plus rapide.
5. À la fin d'une coupe, maintenir fermement l'outil pour qu'il ne tombe pas contre la pièce de travail.

ENTRETIEN

AVERTISSEMENT Pour minimiser les risques de blessures corporelles, débranchez le chargeur et retirez la batterie du chargeur ou de l'outil avant d'y effectuer des travaux d'entretien. Ne démontez jamais l'outil, la batterie ou le chargeur. Pour toute réparation, consultez un centre de service MILWAUKEE accrédité.

Entretien de l'outil

Gardez l'outil en bon état en adoptant un programme d'entretien ponctuel. Inspectez votre outil pour des questions telles que le bruit excessif, de grippage des pièces mobiles, de pièces cassées ou toute autre condition qui peut affecter le fonctionnement de l'outil. Retournez votre outil à un centre de service MILWAUKEE accrédité pour obtenir le service. Après une période pouvant aller de 6 mois à un an, selon l'usage, retournez votre outil à un centre de service MILWAUKEE accrédité pour d'inspection.

Si l'outil ne démarre pas ou ne fonctionne pas à pleine puissance alors qu'il est branché sur une batterie complètement chargée, nettoyez les points de contact entre la batterie et l'outil. Si l'outil ne fonctionne toujours pas correctement, renvoyez l'outil, le chargeur et la batterie à un centre de service MILWAUKEE accrédité.

AVERTISSEMENT Pour minimiser les risques de blessures ou de dommages à l'outil, n'immergez jamais l'outil, la batterie ou le chargeur et ne laissez pas de liquide s'y infiltrer.

Nettoyage

Débarassez les événements des débris et de la poussière. Gardez les poignées propres, à sec et exemptes d'huile ou de graisse. Le nettoyage doit se faire avec un linge humide et un savon doux. Certains nettoyants tels l'essence, la térebenthine, les diluants à laque ou à peinture, les solvants chlorés, l'ammoniaque et les détergents d'usage domestique qui en contiennent pourraient détériorer le plastique et l'isolation des pièces. Ne laissez jamais des solvants inflammables ou combustibles auprès des outils.

Réparations

Pour les réparations, retournez outil, batterie et chargeur en entier au centre-service le plus près.

ACCESSOIRES

AVERTISSEMENT L'utilisation d'autres accessoires que ceux qui sont spécifiquement recommandés pour cet outil peut comporter des risques.

Pour une liste complète des accessoires, visiter le site internet www.milwaukeetool.com ou contactez un distributeur.

SERVICE - CANADA

Milwaukee Tool (Canada) Ltd
1.800.268.4015

Monday-Friday, 7:00 AM - 4:30 PM CST
www.milwaukeetool.ca

GARANTIE LIMITÉE - AUX ÉTATS-UNIS ET AU CANADA

Chaque outil électrique* MILWAUKEE (voir exceptions ci-dessous) est garanti à l'acheteur d'origine uniquement pour être exempt de vices de matériaux et de fabrication. Sous réserve de certaines exceptions, MILWAUKEE réparera ou remplacera toute pièce d'un outil électrique qui, après examen par MILWAUKEE, s'est avérée être affectée d'un vice de matériau ou de fabrication et ce pendant une période de cinq (5) ans** à compter de la date d'achat, sauf indication contraire. Retourner l'outil électrique à un centre de réparation en usine MILWAUKEE ou à un poste d'entretien agréé MILWAUKEE, en port prépayé et assuré. Une copie de la preuve d'achat doit être présentée lors du retour du produit. Cette garantie ne couvre pas les dommages que MILWAUKEE détermine être causés par des réparations ou des tentatives de réparation par quiconque autre que le personnel agréé par MILWAUKEE, ou par des utilisations incorrectes, des altérations, des utilisations abusives, une usure normale, une carence d'entretien ou des accidents.

Usure normale : Plusieurs outils électriques requièrent un remplacement et un entretien périodique de leurs pièces pour un meilleur rendement. Cette garantie ne couvre pas la réparation des pièces due à l'utilisation normale de l'outil, y compris, mais sans s'y limiter, les mandrins, les brosses, les cordes, les sabots de scie, les portelames, les joints toriques, les joints, les amortisseurs, les lames d'entraînement, les pistons, les perceurs, les crochets et les rondelles à couvercle amortisseur.

*Cette garantie ne s'applique pas aux cloueuses-agrafeuses pneumatiques, aux pulvérisateurs à peinture sans air, aux blocs-piles pour outils sans fil, aux génératrices d'alimentation portatives à essence, aux outils à main, aux monte-charges – électriques, à levier et à chaîne, aux vestes chauffantes M12™, aux produits ré-usinés, ni aux produits d'essai et de mesure. Il existe des garanties séparées distinctes pour ces produits.

**La période de garantie applicable pour les radios de chantier, le port d'alimentation M12™, la source électrique M18™, le ventilateur de chantier et les chariots de travail industriels Trade Titan™ est d'une durée d'un (1) an à compter de la date d'achat. La période de garantie pour les Câbles de nettoyage des canalisations est de deux (2) ans à compter de la date d'achat. La période de garantie pour le Pistolet thermique compact M18™ et Dépoussiéreur de 8 gallons est de trois (3) ans à compter de la date d'achat. La période de garantie couvrant la DEL de la lampe de travail à DEL et l'ampoule améliorée à DEL de la lampe de travail est une garantie à vie du produit soumise aux limitations ci-dessus. En cas de défaillance de la DEL ou de l'ampoule à DEL pendant son utilisation normale, la pièce défaillante sera remplacée gratuitement.

L'enregistrement de la garantie n'est pas nécessaire pour bénéficier de la garantie en vigueur sur un outil électrique MILWAUKEE. La date de fabrication du produit servira à établir la période de garantie, si aucune preuve d'achat n'est fournie lorsqu'une demande de service sous garantie est déposée.

L'ACCEPTATION DES RECOURS EXCLUSIFS DE RÉPARATION ET DE REMPLACEMENT DÉCRITS DANS LES PRÉSENTES EST UNE CONDITION DU CONTRAT D'ACHAT DE TOUT PRODUIT MILWAUKEE. SI VOUS N'ACCEPTÉZ PAS CETTE CONDITION, VOUS NE DEVEZ PAS ACHETER LE PRODUIT. EN AUCUN CAS, MILWAUKEE NE SAURAIT ÊTRE RESPONSABLE DE TOUT DOMMAGE ACCESSOIRE, SPÉCIAL OU INDIRECT, DE DOMMAGES-INTÉRÊTS PUNITIFS OU DE TOUTE DÉPENSE, D'HONORAIRES D'AVOCAT, DE FRAIS, DE PERTE OU DE DÉLAIS ACCESSOIRES À TOUT DOMMAGE, DÉFAILLANCE OU DÉFAUT DE TOUT PRODUIT, Y COMPRIS NOTAMMENT LES PERTES DE PROFIT. CERTAINS ÉTATS ET PROVINCES NE PERMETTANT L'EXCLUSION OU LA LIMITATION DES DOMMAGES DIRECTS OU INDIRECTS, LES RESTRICTIONS CI-DESSUS PEUVENT NE PAS VOUS ÊTRE APPLICABLES. CETTE GARANTIE EST EXCLUSIVE ET REMPLACE TOUTE AUTRE GARANTIE EXPRESSE, QU'ELLE SOIT VERBALE OU ÉCRITE. DANS LA MESURE PERMISE PAR LA LOI, MILWAUKEE RENONCE À TOUTE GARANTIE IMPLICITE, Y COMPRIS, MAIS SANS S'Y LIMITER, TOUTE GARANTIE IMPLICITE DE QUALITÉ MARCHANDE OU D'ADAPTATION À UNE UTILISATION OU À UNE FIN PARTICULIÈRE. DANS LA MESURE OU UNE TELLE STIPULATION D'EXONÉRATION N'EST PAS PERMISE PAR LA LOI, LA DURÉE DE CES GARANTIES IMPLICITES EST LIMITÉE À LA PÉRIODE APPLICABLE DE LA GARANTIE EXPRESSE, TEL QUE CELA EST DÉCRIT PRÉCÉDEMMENT. CERTAINS ÉTATS ET PROVINCES NE PERMETTANT PAS DE LIMITATION DE DURÉE DES GARANTIES IMPLICITES, LES RESTRICTIONS CI-DESSUS PEUVENT DONC NE PAS VOUS ÊTRE APPLICABLES. LA PRÉSENTE VOUS CONFÈRE DES DROITS LÉGAUX PARTICULIERS; VOUS BÉNÉFICIEZ ÉGALEMENT D'AUTRES DROITS QUI VARIENT D'UN ÉTAT À UN AUTRE.

Cette garantie s'applique aux produits vendus aux États-Unis et au Canada uniquement.

Veillez consulter la rubrique Centre SAV Milwaukee, dans la section Pièces et Services du site Web de MILWAUKEE, à l'adresse www.milwaukeetool.com, ou composer le 1-800-SAWDUST (1-800-729-3878) afin de trouver le centre de service de votre région le plus proche pour l'entretien, sous garantie ou non, de votre outil électrique Milwaukee.

GARANTIE LIMITÉE - MEXIQUE, AMÉRIQUE CENTRALE ET CARAÏBES

TECHTRONIC INDUSTRIES® garantit le produit pendant 5 ans à partir de la date d'achat d'origine.

Le présent bon de garantie couvre tous les vices de matériau et de fabrication que peut afficher ce produit.

Pour assurer la validité de la présente garantie, veuillez présenter ce bon de garantie, estampillé du sceau du distributeur ou du magasin où le produit a été acheté, au centre de réparations agréé. Si le bon de garantie n'a pas été estampillé, veuillez fournir la preuve d'achat d'origine au centre de réparations agréé.

Pour un entretien des pièces, des accessoires ou des composants, composer sans frais le 1-800-030-7777 afin d'obtenir les coordonnées du centre de réparations agréé le plus près

Procédure pour assurer la validité de la garantie

Présenter le produit au centre de réparations agréé, accompagné du bon de garantie estampillé du sceau du distributeur ou du magasin où le produit a été acheté. Toute pièce défectueuse ou tout composant défectueux sera remplacé(e) sans frais. Milwaukee assume tous les frais de transport liés à ce processus de garantie.

Exceptions

Cette garantie ne s'applique pas dans les situations suivantes :

- a) Si le produit a été utilisé pour une fin autre que celle indiquée dans le guide de l'utilisateur final ou le manuel d'instructions.
- b) Si les conditions d'utilisations ne sont pas habituelles.
- c) Si le produit a été modifié ou réparé par une personne non autorisée par TECHTRONIC INDUSTRIES.

Remarque : Si le cordon électrique est endommagé, il doit être remplacé par un centre de réparations agréé pour éviter les risques d'électrocution.

CENTRE DE RÉPARATIONS ET DE SERVICE
Composer le 01 (800) 030-7777

IMPORTÉ ET COMMERCIALISÉ PAR
TECHTRONIC INDUSTRIES, MEXIQUE, SA DE CV
Av President Masarik #29 piso 7, Col. Polanco V Sección
CP 11560, Deleg. Miguel Hidalgo, CDMX

Modèle : _____

Date d'achat : _____

Sceau du distributeur ou du magasin : _____

ADVERTENCIAS DE SEGURIDAD GENERALES PARA LA HERRAMIENTA ELÉCTRICA

▲ ADVERTENCIA Lea todas las advertencias de seguridad, instrucciones, ilustraciones y especificaciones con esta herramienta eléctrica. Si no sigue todas las advertencias e instrucciones, se pueden provocar una descarga eléctrica, un incendio o lesiones graves. Guarde todas las advertencias e instrucciones para consultarlas en el futuro. El término "herramienta eléctrica" en todas las advertencias incluidas más abajo se refiere a su herramienta operada por conexión (cable) a la red eléctrica o por medio de una batería (inalámbrica).

SEGURIDAD EN EL ÁREA DE TRABAJO

- **Mantenga el área de trabajo limpia y bien iluminada.** Las áreas desordenadas u oscuras son propicias para los accidentes.
- **No utilice herramientas eléctricas en atmósferas explosivas, tales como en presencia de líquidos, gases o polvos inflamables.** Las herramientas eléctricas generan chispas que pueden encender el polvo o los vapores.
- **Mantenga a los niños y a los espectadores alejados mientras utiliza una herramienta eléctrica.** Las distracciones pueden ocasionar la pérdida de control.

SEGURIDAD ELÉCTRICA

- **Los enchufes de la herramienta eléctrica deben coincidir con el tomacorriente. Nunca modifique el enchufe de ninguna manera. No utilice adaptadores**

- de enchufe con herramientas eléctricas aterrizadas. Los enchufes y tomacorrientes correspondientes sin modificar reducirán el riesgo de descarga eléctrica.
- **Evite el contacto corporal con superficies aterrizadas, tales como tuberías, radiadores, estufas y refrigeradores.** Existe un riesgo mayor de descarga eléctrica si su cuerpo está aterrizado.
- **No exponga las herramientas eléctricas a la lluvia ni a condiciones húmedas.** Si se introduce agua en una herramienta eléctrica, aumentará el riesgo de descarga eléctrica.
- **No maltrate el cable. Nunca utilice el cable para cargar, jalar o desconectar la herramienta eléctrica. Mantenga el cable alejado del calor, el aceite, los bordes afilados o las partes en movimiento.** Los cables dañados o enredados aumentan el riesgo de descarga eléctrica.
- **Al utilizar una herramienta eléctrica en exteriores, utilice una extensión adecuada para uso en exteriores.** El uso de una extensión adecuada para el uso en exteriores disminuye el riesgo de descarga eléctrica.
- **Si es inevitable utilizar una herramienta eléctrica en un lugar húmedo, utilice un alimentador de corriente protegido con un interruptor de circuito por falla de conexión a tierra (GFCI).** El uso de un GFCI reduce el riesgo de descarga eléctrica.

SEGURIDAD PERSONAL

- **Manténgase alerta, atento a lo que está haciendo y utilice el sentido común al utilizar una herramienta eléctrica. No utilice una herramienta eléctrica mientras está cansado o bajo la influencia de drogas, alcohol o medicamentos.** Un momento de distracción al utilizar herramientas eléctricas puede ocasionar lesiones personales graves.
- **Utilice equipo de protección personal. Siempre use protección para los ojos.** El equipo de protección, tal como una máscara contra polvo, calzado antideslizante, casco o protección auditiva, utilizado para condiciones adecuadas disminuirá las lesiones personales.
- **Evite el arranque accidental. Asegúrese de que el interruptor esté en la posición de apagado antes de conectarlo a una fuente de poder y/o batería, levantar o trasladar la herramienta.** Trasladar herramientas con el dedo en el interruptor o energizar herramientas eléctricas que tienen el interruptor encendido propicia accidentes.
- **Retire cualquier llave de ajuste antes de entender la herramienta.** Una llave que se deje insertada en una parte giratoria de la herramienta eléctrica puede ocasionar lesiones personales.
- **No estire el cuerpo demasiado. Mantenga un buen contacto entre los pies y el suelo y mantenga el equilibrio en todo momento.** Esto permite un mejor control de la herramienta eléctrica en situaciones inesperadas.
- **Vístase adecuadamente. No utilice ropa o joyería holgada. Mantenga el cabello y la ropa alejados de las partes móviles.** La ropa holgada, las alhajas o el cabello largo pueden quedarse atrapados en las partes móviles.
- **Si se proporcionan dispositivos para la conexión de instalaciones de extracción y recolección de polvo, cerciórese de que estén conectados y se utilicen correctamente.** El uso de dispositivos recolectores de polvo puede disminuir los riesgos relacionados con el polvo.
- **No permita que la familiaridad por el uso frecuente de las herramientas lo hagan sentirse seguro e ignoren los principios de seguridad de las herramientas.** Un descuido puede provocar lesiones graves en una fracción de segundo.

USO Y CUIDADO DE LAS HERRAMIENTAS ELÉCTRICAS

- **No fuerce la herramienta eléctrica.** Utilice la herramienta eléctrica correcta para su aplicación. La herramienta eléctrica correcta realizará el trabajo mejor y con mayor seguridad a la velocidad para la que fue diseñada.
- **No utilice la herramienta eléctrica si el interruptor no la enciende y la apaga.** Cualquier herramienta eléctrica que no pueda controlarse con el interruptor es peligrosa y debe repararse.
- **Desconecte el enchufe de la fuente de energía y/o quite la batería de la herramienta eléctrica, si es posible, antes de realizar cualquier ajuste, cambiar accesorios o almacenar las herramientas eléctricas.** Tales medidas preventivas de seguridad disminuyen el riesgo de que la herramienta eléctrica se encienda accidentalmente.
- **Almacene las herramientas eléctricas que no se estén utilizando fuera del alcance de los niños y no permita que personas que no estén familiarizadas con la herramienta eléctrica o con estas instrucciones la utilicen.** Las herramientas eléctricas son peligrosas en manos de usuarios sin capacitación.
- **Dé mantenimiento a las herramientas eléctricas y accesorios.** Verifique que no haya desalineación, amarre de partes móviles, partes rotas o alguna otra condición que pueda afectar el funcionamiento de la herramienta eléctrica. Si se daña, asegúrese de que la herramienta eléctrica sea reparada antes de que se utilice. Muchos accidentes son ocasionados por herramientas eléctricas con mantenimiento deficiente.
- **Mantenga las herramientas de corte afiladas y limpias.** Las herramientas de corte correctamente mantenidas con bordes de corte afilados son menos propensas a atorarse y son más fáciles de controlar.
- **Utilice la herramienta eléctrica, los accesorios y las puntas, etc. de acuerdo con estas instrucciones, tomando en cuenta las condiciones de trabajo y el trabajo a realizar.** El uso de la herramienta eléctrica para operaciones diferentes a las previstas podría generar una situación peligrosa.
- **Mantenga las empuñaduras y ñas superficies de sujeción secas, limpias y libres de aceite y grasa.** Las empuñaduras y superficies de sujeción resbalosas no permiten el manejo y control seguros de la herramienta en situaciones inesperadas.

USO Y CUIDADO DE LAS HERRAMIENTAS CON BATERÍA

- **Recargue únicamente con el cargador especificado por el fabricante.** Un cargador que es adecuado para un tipo de batería puede crear un riesgo de incendio si se utiliza con otra batería.
- **Utilice las herramientas eléctricas únicamente con baterías específicamente diseñadas.** El uso de cualquier otra batería puede producir un riesgo de lesiones e incendio.
- **Cuando la batería no esté en uso, manténgala alejada de otros objetos metálicos como sujetapapeles, monedas, llaves, clavos, tornillos u otros objetos metálicos pequeños que puedan formar una conexión de una terminal a otra.** Crear un corto entre las terminales de la batería puede ocasionar quemaduras o un incendio.

- **Bajo condiciones de maltrato, el líquido puede ser expulsado de la batería, evite el contacto.** En caso de contacto accidental, lave con agua. Si el líquido entra en contacto con los ojos, busque además ayuda médica. El líquido expulsado de la batería puede causar irritación o quemaduras.
- **No use una batería o herramienta que se haya dañado o modificado.** Las baterías dañadas o modificadas pueden mostrar un comportamiento impredecible, causando incendios, explosión o riesgo de lesión.
- **No exponga una batería o herramienta al fuego o a temperatura excesiva.** La exposición a fuego o temperatura a más de 130° C (265° F) puede causar explosiones.
- **Siga todas las instrucciones de carga y no cargue la batería o la herramienta fuera del rango de temperatura especificado en las instrucciones.** La carga incorrecta o a temperaturas fuera del rango especificado puede dañar la batería y aumentar el riesgo de incendio.

MANTENIMIENTO

- **Lleve su herramienta eléctrica a servicio con un técnico calificado que use únicamente piezas de reemplazo idénticas.** Esto asegurará que la seguridad de la herramienta eléctrica se mantenga.
- **Nunca dé servicio a baterías dañadas.** Únicamente el fabricante o proveedores de servicio autorizados deben dar servicio a las baterías.

REGLAS ESPECIFICAS DE SEGURIDAD PARA SIERRA DE BANDA

- **Agarre la herramienta por los asideros aislados cuando realice una operación en la que la herramienta de corte pueda entrar en contacto con cables ocultos.** El contacto con un cable "con corriente" hará que las partes de metal expuesto de la herramienta pasen la corriente y produzcan una descarga al operador.
- **⚠PELIGRO** Mantenga las manos alejadas del área de corte y de la hoja. Mantenga la segunda mano en la empuñadura auxiliar. Si ambas manos están sosteniendo la sierra, no podrán cortarse con la hoja.
- **Válgase siempre de su sentido común y sea cuidadoso cuando utilice herramientas.** No es posible anticipar todas las situaciones que podrían tener un desenlace peligroso. No utilice esta herramienta si no entiende estas instrucciones de uso o si considera que el trabajo a realizar supera sus capacidades, comuníquese con Milwaukee Tool o con un profesional capacitado para recibir capacitación o información adicional.
- **Conserve las etiquetas y las placas nominales.** Contienen información importante. Si son ilegibles o no están presentes, comuníquese con un centro de servicio MILWAUKEE para obtener un reemplazo gratuito.
- **⚠ADVERTENCIA** Algunos polvos generados por el lijado eléctrico, aserrado, pulido, taladrado y otras actividades de construcción contienen químicos identificados como causantes de cáncer, defectos congénitos u otros daños reproductivos. Algunos ejemplos de estos químicos son:
 - plomo de pintura basada en plomo
 - dióxido de silicio de los ladrillos y el cemento y otros productos de albañilería y
 - arsénico y cromo de madera con tratamiento químico.

Su riesgo por estas exposiciones varía, dependiendo de la frecuencia con que realice este tipo de trabajo. Para reducir su exposición a estos químicos: trabaje en un área bien ventilada y trabaje con equipo de seguridad aprobado, como mascarillas protectoras contra polvo especialmente diseñadas para filtrar partículas microscópicas.

ENSAMBLAJE

SIMBOLOGÍA



Volts



Corriente continua

SFPM

Pies superficiales por minuto (SFPM)



UL Listing Mark para Canadá y Estados Unidos

ESPECIFICACIONES

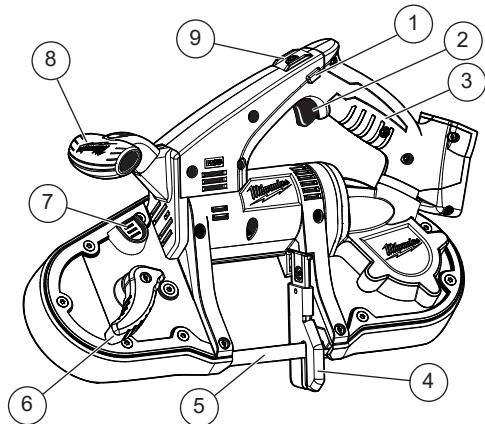
Cat. No. 2629-20
 Volts..... 18 CD
 Tipo de batería M18™
 Tipo de cargador M18™
 SFPM.....480
 Cuchillas recomendadas...900 mm x 13 mm x 0,5 mm
 (35-3/8" x 1/2" x 0,02")
 Lame bimétalique

Capacidades

Material redondo.....83 mm (3-1/4")
 Material rectangular.....83 mm x 83 mm
 (3-1/4" x 3-1/4")

Temperatura ambiente recomendada
 para operar..... -18°C a 50°C (0°F a 125°F)

DESCRIPCION FUNCIONAL



1. Botón de bloqueo
2. Gatillo
3. Mango
4. Soporte para trabajo fijo
5. Hoja
6. Mango de bloqueo de tensión
7. Botón de liberación de la hoja
8. Mango delantero
9. Botón de encendido de luz de diodo luminiscente

⚠ADVERTENCIA Recargue la batería sólo con el cargador especificado para ella. Para instrucciones específicas sobre cómo cargar, lea el manual del operador suministrado con su cargador y la batería.

Como se inserta/quita la batería en la herramienta

Para **retirar** la batería, presione los botones de liberación y jale de la batería para sacarla de la herramienta.

⚠ADVERTENCIA Para reducir el riesgo de lesiones, extraiga siempre la batería antes de acoplar o desacoplar accesorios.

Para **introducir** la batería, deslícela en el cuerpo de la herramienta. Asegúrese de que quede bien firme en su posición.

⚠ADVERTENCIA Utilice únicamente accesorios específicamente recomendados para esta herramienta. El uso de accesorios no recomendados podría resultar peligroso.

Seguetas y selección de las mismas

Las dimensiones de la seguenta para las sierras Las dimensiones de la seguenta para las sierras continuas son: 0,5 mm de grosor, 13 mm de ancho y 900 mm de largo. El grosor especial de 0,5 mm reduce la fatiga por flexión y proporciona la máxima duración de los dientes. Para maximizar la duración del corte, use una seguenta con el paso correcto (dientes por pulgada) para la tarea de corte específica.

Las seguetas están disponibles en varios pasos. Para seleccionar la seguenta apropiada se deben considerar tres factores: el tamaño, la forma y el tipo de material que se va a cortar.

Se ofrecen las siguientes recomendaciones para seleccionar la seguenta correcta para varias operaciones de corte. Recuerde que éstas son pautas generales y que los requisitos de la seguenta pueden variar dependiendo del tamaño, forma y tipo de material específicos que se van a cortar. Generalmente, los materiales blandos requieren seguetas de paso tosco y los materiales duros requieren seguetas de paso fino. Use seguetas de paso tosco para trabajo grueso y seguetas de paso fino para trabajo delgado. Es importante mantener al menos tres dientes en el corte (consultar "Aplicación típica").

10 dientes por pulgada	Para material duro de entre 5 mm y un máximo de 41 mm de diámetro o ancho.
14 dientes por pulgada	Para material duro de entre 4 mm y 19 mm de diámetro o ancho.
18 dientes por pulgada	Para tuberías de paredes delgadas y láminas delgadas de más de calibre 21.
24 dientes por pulgada	Para tuberías de paredes delgadas y láminas delgadas de más de calibre 21.

Cambio de hojas

1. quite el paquete de baterías antes de cambiar o quitar las hojas.
2. Coloque el soporte para trabajo fijo en la posición superior.
3. Gire el mango de bloqueo de tensión (ubicado en la parte delantera de la sierra) 180° en sentido contrario a las agujas del reloj.

ADVERTENCIA No toque la hoja inmediatamente después del uso. La hoja será caliente.

4. Para quitar la hoja:
 - a. Tire de la hoja para retirarla de las guías.
 - b. A continuación, presione el botón de liberación de la hoja para levantarla por encima del dispositivo de protección y quítela por completo.
5. Para instalar una hoja:
 - a. Coloque la hoja alrededor de las poleas.
NOTA: asegúrese de que los dientes queden hacia afuera.
 - b. Presione la hoja entre las guías con firmeza.
6. Gire el mango de bloqueo de tensión 180° en sentido de las agujas del reloj para sujetar la hoja a las poleas.
7. Ajuste el soporte para trabajo fijo de la posición deseada.
8. Antes de arrancar el motor de la herramienta, asegúrese de que la hoja no esté trabada dentro del canal del dispositivo de protección.
ASEGURESE DE QUE LA HOJA ESTÉ BIEN ASENTADA EN LAS POLEAS ANTES DE COMENZAR A CORTAR.

Luz de diodo luminiscente de la hoja

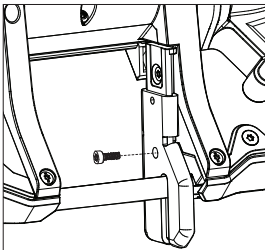
La luz de diodo luminiscente de la hoja se enciende automáticamente cuando se presiona el gatillo. Para encender la luz de diodo luminiscente a fin de alinear un corte o iluminar la pieza de trabajo, presione el botón de encendido de la luz de diodo luminiscente. La luz de diodo luminiscente se apagará automáticamente después de unos 30 segundos.

Ajuste del soporte para trabajo fijo de 2 posiciones

1. Quite el paquete de baterías.
2. Para colocar el soporte en la posición superior, tire con firmeza del seguro hacia arriba para destrabarlo de la posición inferior. Deslice el soporte hasta la posición superior.
3. Para bajar el soporte, tire con firmeza del seguro hacia abajo para trabarlo en la posición inferior.

Guía de material fija

1. Desconecte la herramienta o extraiga la batería.
2. Para bajar la guía, jale firmemente hacia abajo para activar el retén en posición inferior.
3. Inserte el tornillo provisto en el orificio de la guía de material. Con una llave hexagonal de 3 mm, enrosque el tornillo en la herramienta hasta que quede firme.



OPERACION

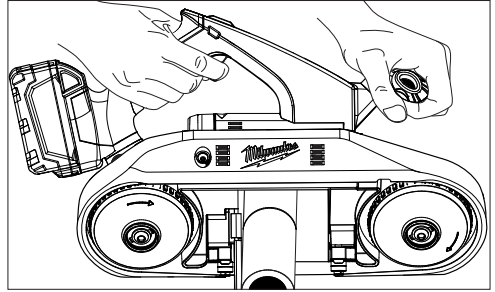
ADVERTENCIA Para reducir el riesgo de lesiones, extraiga siempre la batería antes de acoplar o desacoplar accesorios. Utilice únicamente accesorios específicamente recomendados para esta herramienta. El uso de accesorios no recomendados podría resultar peligroso.

Para reducir el riesgo de lesiones, use siempre lentes de seguridad o anteojos con protectores laterales. Mantenga ambas manos alejadas de la segueta y de otras piezas móviles.

Arranque y detención

1. Para arrancar la herramienta, sujete los mangos con firmeza. Presione el botón de bloqueo y presione el gatillo. Permita que el motor alcance su velocidad máxima antes de iniciar el corte.

NOTA: la luz de diodo luminiscente de la hoja se enciende al presionar el gatillo.



2. Para detener la herramienta, suelte el gatillo. Permita que la herramienta se detenga por completo antes de quitar la hoja de un corte parcial o de dejar a un lado la herramienta.

Aplicaciones típicas

1. Mantenga la segueta fuera de la pieza en la que se está trabajando hasta que el motor haya alcanzado la velocidad seleccionada.
2. Empezee a cortar en una superficie en la que el mayor número de dientes a la vez esté en contacto con la pieza en la que se trabaja.



3. Coloque el apoyo de trabajo contra la pieza en la que se está trabajando y baje la segueta de la sierra en movimiento hacia el corte.
4. No se cargue mientras corta. El peso de la sierra proporcionará la presión adecuada para el corte más rápido.
5. Cuando se finalice un corte, sujete la herramienta con firmeza para que no se caiga contra la pieza en la que se está trabajando.

MANTENIMIENTO

ADVERTENCIA Para reducir el riesgo de una lesión, desconecte siempre la herramienta antes de darle cualquier mantenimiento. Nunca desarme la herramienta ni trate de hacer modificaciones en el sistema eléctrico de la misma. Acuda siempre a un Centro de Servicio MILWAUKEE para TODAS las reparaciones.

Mantenimiento de las herramientas

Adopte un programa regular de mantenimiento y mantenga su herramienta en buenas condiciones. Inspeccione la herramienta para problemas como ruidos indebidos, desalineadas o agarratadas de partes móviles, piezas rotas o cualquier otra condición que pueda afectar el funcionamiento de la herramienta. Envíe su herramienta al Centro de Servicio MILWAUKEE para reparación. Después de 6 meses a un año, dependiendo del uso dado, envíe su herramienta al Centro de Servicio MILWAUKEE más cercano para la inspección.

Si la herramienta no arranca u opera a toda su potencia con una batería completamente cargada, limpie, con una goma o borrador, los contactos de la batería y de la herramienta. Si aun así la herramienta no trabaja correctamente, regrésela, con el cargador y la batería, a un centro de servicio MILWAUKEE.

ADVERTENCIA Para reducir el riesgo de lesiones, descarga eléctrica o daño a la herramienta, nunca la sumerja en líquidos ni permita que estos fluyan dentro de la misma.

Limpieza

Limpie el polvo y suciedad de las ventilas. Mantenga los mangos limpios, secos y libres de aceite o grasa. Use solo jabón neutro y un trapo húmedo para limpiar, ya que algunos substancias y solventes limpiadores son dañinos a los plásticos y partes aislantes. Algunos de estos incluyen: gasolina, turpentina, thinner, lacas, thinner para pinturas, solventes para limpieza con cloro, amoníaco y detergentes caseros que tengan amonía. Nunca use solventes inflamables o combustibles cerca de una herramienta.

Reparaciones

Si su herramienta, batería o cargador están dañados, envíela al centro de servicio más cercano.

ACCESORIOS

ADVERTENCIA Utilice sólo los accesorios específicamente recomendados. Otros accesorios puede ser peligrosos.

Para una lista completa de accesorios, visite nuestro sitio en Internet: www.milwaukeetool.com o póngase en contacto con un distribuidor.

SOPORTE DE SERVICIO - MEXICO

CENTRO DE ATENCION A CLIENTES

Techtronic Industries Mexico, S.A. de C.V.

Av. Presidente Masarik 29 Piso 7

11560 Polanco V Seccion

Miguel Hidalgo, Distrito Federal, México

01 (800) 030-7777 o (55) 4160-3540

Lunes a Viernes (9am a 6pm)

O contáctanos en www.milwaukeetool.com mx

GARANTÍA LIMITADA - E.U.A. Y CANADA

Cada herramienta eléctrica* de MILWAUKEE (ver excepciones a continuación) está garantizada para el comprador original únicamente de que no tenga material y mano de obra defectuosos. Sujeto a ciertas excepciones, MILWAUKEE reparará o reemplazará cualquier parte en una herramienta eléctrica que tenga defectos de material o mano de obra según lo determine MILWAUKEE mediante una revisión, por un periodo de cinco (5) años** después de la fecha de compra o menos que se indique lo contrario. Al devolver la herramienta eléctrica a un Centro de Servicio de la fábrica de MILWAUKEE o a una Estación de Servicio Autorizada de MILWAUKEE, se requiere que el flete esté pagado por adelantado y asegurado. Se debe incluir una copia del comprobante de compra con el producto devuelto. Esta garantía no aplica a daños que MILWAUKEE determine que son ocasionados por reparaciones o intentos de reparaciones realizados por una persona que no sea personal autorizado de MILWAUKEE, uso indebido, alteraciones, maltrato, desgaste normal, falta de mantenimiento o accidentes.

Desgaste normal: Muchas herramientas eléctricas necesitan un reemplazo periódico de partes y servicio para lograr el mejor desempeño. Esta garantía no cubre la reparación cuando el uso normal ha agotado la vida de una parte, incluyendo sin limitar a mandriles, cepos, cables, zapatas de la sierra, abrazaderas de la hoja, anillos en O, sellos, protectores, hojas de desatornilladores, pistones, herrajes, levantaos y arandelas de cubierta de los protectores. *Esta garantía no cubre clavadoras y grapadoras neumáticas, pistola de pintura a presión, baterías inalámbricas, generadores de energía portátil de gasolina, herramientas de mano, palanca y cadena de mano de polipasto - eléctricas, indumentaria calefada M12™, producto reacondicionado y productos de prueba y medición. Existen garantías por separado y distintas disponibles para estos productos.

**El periodo de garantía para los radios para obra, puerto de energía M12™, fuente de poder M18™, ventiladores para tora y carretillas de trabajo industrial Trade Titan™ es de un (1) año a partir de la fecha de compra. El periodo de garantía para los Cables de limpieza de drenaje es de dos (2) años a partir de la fecha de compra. El periodo de garantía de la Pistola de calor compacta M18™ de la Extractor de polvo de 8 galones de tres (3) años a partir de la fecha de compra. El periodo de garantía de las lámparas de LED en la Lámpara de trabajo LED y el Bulbo mejorado de LED para la Luz de trabajo es por la vida del producto sujeto a las limitaciones anteriores. Si durante el uso normal el LED o Bulbo de LED falla, la parte será reemplazada sin cargo.

No se requiere el registro de la garantía para obtener la garantía correspondiente a un producto de herramienta eléctrica de MILWAUKEE. La fecha de manufactura del producto se utilizará para determinar el periodo de garantía si no se proporciona comprobante de compra al solicitar el servicio en garantía.

LA ACEPTACIÓN DE LOS REMEDIOS EXCLUSIVOS DE REPARACIÓN Y REEMPLAZO AQUÍ DESCRITOS ES UNA CONDICIÓN DEL CONTRATO PARA LA COMPRA DE TODO PRODUCTO DE MILWAUKEE. SI USTED NO ACEPTA ESTA CONDICIÓN, NO DEBE COMPRAR EL PRODUCTO. MILWAUKEE NO SERÁ RESPONSABLE EN NINGÚN CASO DE DAÑOS INCIDENTALES, ESPECIALES, EMERGENTES O PUNITIVOS NI DE NINGÚN COSTO, HONORARIOS LEGALES, GASTOS, PÉRDIDAS O DEMORAS ALEGADOS COMO CONSECUENCIA DE ALGÚN DAÑO, FALLA O DEFECTO EN NINGÚN PRODUCTO, INCLUYENDO, ENTRE OTROS, RECLAMACIONES POR PÉRDIDA DE UTILIDADES. ALGUNOS ESTADOS NO PERMITEN LA EXCLUSIÓN O LIMITACIÓN DE RESPONSABILIDAD POR DAÑOS INCIDENTALES O EMERGENTES, POR LO QUE LA ANTERIOR LIMITACIÓN O EXCLUSIÓN PODRÍA NO APLICARSE EN SU CASO. ESTA GARANTÍA ES EXCLUSIVA Y REEMPLAZA TODAS LAS DEMÁS GARANTÍAS EXPRESAS, ESCRITAS U ORALES, EN LA MEDIDA EN QUE LO PERMITA LA LEY, MILWAUKEE DESCONOCE CUALQUIER GARANTÍA IMPLÍCITA, INCLUYENDO SIN LIMITACIÓN CUALQUIER GARANTÍA IMPLÍCITA DE COMERCIABILIDAD O IDONEIDAD PARA UN FIN O USO ESPECÍFICO; EN LA MEDIDA EN QUE DICHO DESCONOCIMIENTO NO SEA PERMITIDO POR LA LEY, DICHAS GARANTÍAS IMPLÍCITAS SE LIMITAN A LA DURACIÓN DE LA GARANTÍA EXPRESA CORRESPONDIENTE SEGÚN SE DESCRIBIÓ ANTERIORMENTE. ALGUNOS ESTADOS NO PERMITEN LIMITACIONES SOBRE LA DURACIÓN DE UNA GARANTÍA IMPLÍCITA, POR LO QUE LA ANTERIOR LIMITACIÓN PODRÍA NO APLICARSE A USTED. ESTA GARANTÍA LE DA DERECHOS LEGALES ESPECÍFICOS Y USTED PODRÍA ADEMÁS TENER OTROS DERECHOS QUE VARIAN DE UN ESTADO A OTRO.

Esta garantía aplica al producto vendido en los Estados Unidos y Canadá únicamente.

Consulte la "Búsqueda de centro de servicio" en la sección de Partes y servicio del sitio web de MILWAUKEE en www.milwaukeetool.com o llame al 1.800.SAWDUST (1.800.729.3878) para localizar su centro de servicio más cercano para darle servicio con y sin garantía a una herramienta eléctrica de Milwaukee.

PÓLIZA DE GARANTÍA - VALIDA SOLO PARA MÉXICO, AMÉRICA CENTRAL Y EL CARIBE

La garantía de TECHTRONIC INDUSTRIES es por 5 años a partir de la fecha original de compra.

Esta tarjeta de garantía cubre cualquier defecto de material y mano de obra en ese Producto.

Para hacer válida esta garantía, presente esta tarjeta de garantía, cerrada/sellada por el distribuidor o la tienda donde compró el producto, al Centro de Servicio Autorizado (ASC). O, si esta tarjeta no se ha cerrado/sellado, presente la prueba original de compra a ASC. Llame gratis al 01 (800) 030-7777 para encontrar el ASC más cercano, para servicio, partes, accesorios o componentes.

Procedimiento para hacer válida esta garantía

Lleve el producto a ASC, junto con la tarjeta de garantía cerrada/sellada por el distribuidor o la tienda donde compró el producto, y cualquier pieza o componente defectuoso se reemplazará sin costo para usted. Cubriremos todos los costos de flete con relación a este proceso de garantía

Excepciones

Esta garantía no tendrá validez en las siguientes situaciones:

- Cuando el producto se use de manera distinta a la que indica el manual del usuario final o de instrucciones.
- Cuando las condiciones de uso no sean normales.
- Cuando otras personas no autorizadas por TECHTRONIC INDUSTRIES modifiquen o reparen el producto.

Nota: si el juego de cables está dañado, tiene que reemplazarse en un Centro de Servicio Autorizado para evitar riesgos eléctricos.

CENTRO DE SERVICIO Y ATENCIÓN

Llame al 01 (800) 030-7777

IMPORTADO Y COMERCIALIZADO POR

TECHTRONIC INDUSTRIES, MÉXICO, SA DE CV

Av. President Masarik #29 piso 7, Col. Polanco V Sección

CP 11560, Deleg. Miguel Hidalgo, CDMX

Modelo: _____

Fecha de Compra: _____

Sello del Distribuidor:

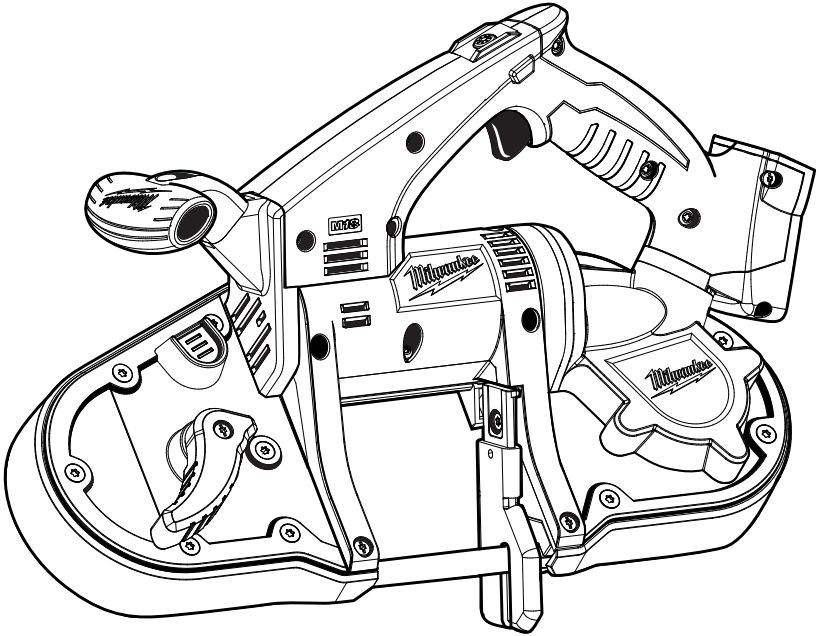
MILWAUKEE TOOL
13135 West Lisbon Road
Brookfield, WI 53005 USA

58141020d1
03/18

961012620-01(A)
Printed in China



OPERATOR'S MANUAL
MANUEL de L'UTILISATEUR
MANUAL del OPERADOR



Cat. No. / No de cat.
2629-20

M18™ BAND SAW
SCIE À RUBAN M18™
SIERRA DE BANDA DE M18™



WARNING To reduce the risk of injury, user must read and understand operator's manual.

AVERTISSEMENT Afin de réduire le risque de blessures, l'utilisateur doit lire et bien comprendre le manuel.

ADVERTENCIA Para reducir el riesgo de lesiones, el usuario debe leer y entender el manual.

GENERAL POWER TOOL SAFETY WARNINGS

⚠WARNING Read all safety warnings, instructions, illustrations and specifications provided with this power tool. Failure to follow all instructions listed below may result in electric shock, fire and/or serious injury. **Save all warnings and instructions for future reference.** The term "power tool" in the warnings refers to your mains-operated (corded) power tool or battery-operated (cordless) power tool.

WORK AREA SAFETY

- **Keep work area clean and well lit.** Cluttered or dark areas invite accidents.
- **Do not operate power tools in explosive atmospheres, such as in the presence of flammable liquids, gases or dust.** Power tools create sparks which may ignite the dust or fumes.
- **Keep children and bystanders away while operating a power tool.** Distractions can cause you to lose control.

ELECTRICAL SAFETY

- **Power tool plugs must match the outlet. Never modify the plug in any way. Do not use any adapter plugs with earthed (grounded) power tools.** Unmodified plugs and matching outlets will reduce risk of electric shock.
- **Avoid body contact with earthed or grounded surfaces, such as pipes, radiators, ranges and refrigerators.** There is an increased risk of electric shock if your body is earthed or grounded.
- **Do not expose power tools to rain or wet conditions.** Water entering a power tool will increase the risk of electric shock.
- **Do not abuse the cord. Never use the cord for carrying, pulling or unplugging the power tool. Keep cord away from heat, oil, sharp edges or moving parts.** Damaged or entangled cords increase the risk of electric shock.
- **When operating a power tool outdoors, use an extension cord suitable for outdoor use.** Use of a cord suitable for outdoor use reduces the risk of electric shock.
- **If operating a power tool in a damp location is unavoidable, use a ground fault circuit interrupter (GFCI) protected supply.** Use of an GFCI reduces the risk of electric shock.

PERSONAL SAFETY

- **Stay alert, watch what you are doing and use common sense when operating a power tool. Do not use a power tool while you are tired or under the influence of drugs, alcohol or medication.** A moment of inattention while operating power tools may result in serious personal injury.
- **Use personal protective equipment. Always wear eye protection.** Protective equipment such as a dust mask, non-skid safety shoes, hard hat or hearing protection used for appropriate conditions will reduce personal injuries.
- **Prevent unintentional starting. Ensure the switch is in the off-position before connecting to power source and/or battery pack, picking up or carrying the tool.** Carrying power tools with your finger on the switch or energizing power tools that have the switch on invites accidents.

- **Remove any adjusting key or wrench before turning the power tool on.** A wrench or a key left attached to a rotating part of the power tool may result in personal injury.
- **Do not overreach. Keep proper footing and balance at all times.** This enables better control of the power tool in unexpected situations.
- **Dress properly. Do not wear loose clothing or jewelry. Keep your hair and clothing away from moving parts.** Loose clothes, jewelry or long hair can be caught in moving parts.
- **If devices are provided for the connection of dust extraction and collection facilities, ensure these are connected and properly used.** Use of dust collection can reduce dust-related hazards.
- **Do not let familiarity gained from frequent use of tools allow you to become complacent and ignore tool safety principles.** A careless action can cause severe injury within a fraction of a second.

POWER TOOL USE AND CARE

- **Do not force the power tool. Use the correct power tool for your application.** The correct power tool will do the job better and safer at the rate for which it was designed.
 - **Do not use the power tool if the switch does not turn it on and off.** Any power tool that cannot be controlled with the switch is dangerous and must be repaired.
 - **Disconnect the plug from the power source and/ or remove the battery pack, if detachable, from the power tool before making any adjustments, changing accessories, or storing power tools.** Such preventive safety measures reduce the risk of starting the power tool accidentally.
 - **Store idle power tools out of the reach of children and do not allow persons unfamiliar with the power tool or these instructions to operate the power tool.** Power tools are dangerous in the hands of untrained users.
 - **Maintain power tools and accessories. Check for misalignment or binding of moving parts, breakage of parts and any other condition that may affect the power tool's operation. If damaged, have the power tool repaired before use.** Many accidents are caused by poorly maintained power tools.
 - **Keep cutting tools sharp and clean.** Properly maintained cutting tools with sharp cutting edges are less likely to bind and are easier to control.
 - **Use the power tool, accessories and tool bits etc. in accordance with these instructions, taking into account the working conditions and the work to be performed.** Use of the power tool for operations different from those intended could result in a hazardous situation.
 - **Keep handles and grasping surfaces dry, clean and free from oil and grease.** Slippery handles and grasping surfaces do not allow for safe handling and control of the tool in unexpected situations.
- ### BATTERY TOOL USE AND CARE
- **Recharge only with the charger specified by the manufacturer.** A charger that is suitable for one type of battery pack may create a risk of fire when used with another battery pack.
 - **Use power tools only with specifically designated battery packs.** Use of any other battery packs may create a risk of injury and fire.

•When battery pack is not in use, keep it away from other metal objects, like paper clips, coins, keys, nails, screws or other small metal objects, that can make a connection from one terminal to another. Shorting the battery terminals together may cause burns or a fire.

•Under abusive conditions, liquid may be ejected from the battery; avoid contact. If contact accidentally occurs, flush with water. If liquid contacts eyes, additionally seek medical help. Liquid ejected from the battery may cause irritation or burns.

•Do not use a battery pack or tool that is damaged or modified. Damaged or modified batteries may exhibit unpredictable behavior resulting in fire, explosion or risk of injury.

•Do not expose a battery pack or tool to fire or excessive temperature. Exposure to fire or temperature above 265°F (130°C) may cause explosion.

•Follow all charging instructions and do not charge the battery pack or tool outside the temperature range specified in the instructions. Charging improperly or at temperatures outside the specified range may damage the battery and increase the risk of fire.

SERVICE

•Have your power tool serviced by a qualified repair person using only identical replacement parts. This will ensure that the safety of the power tool is maintained.

•Never service damaged battery packs. Service of battery packs should only be performed by the manufacturer or authorized service providers.

SPECIFIC SAFETY RULES FOR BAND SAW

•Hold power tool by insulated gripping surfaces, when performing an operation where the cutting accessory may contact hidden wiring. Cutting accessories contacting a "live" wire may make exposed metal parts of the power tool "live" and could give the operator an electric shock.

▲ DANGER Keep hands away from cutting area and the blade. Keep your second hand on handle. If both hands are holding the saw, they cannot be cut by the blade.

•Always use common sense and be cautious when using tools. It is not possible to anticipate every situation that could result in a dangerous outcome. Do not use this tool if you do not understand these operating instructions or you feel the work is beyond your capability; contact Milwaukee Tool or a trained professional for additional information or training.

•Maintain labels and nameplates. These carry important information. If unreadable or missing, contact a MILWAUKEE service facility for a free replacement.

▲ WARNING Some dust created by power sanding, sawing, grinding, drilling, and other construction activities contains chemicals known to cause cancer, birth defects or other reproductive harm. Some examples of these chemicals are:

- lead from lead-based paint
- crystalline silica from bricks and cement and other masonry products, and
- arsenic and chromium from chemically-treated lumber.

Your risk from these exposures varies, depending on how often you do this type of work. To reduce your exposure to these chemicals: work in a well ventilated area, and work with approved safety equipment, such as those dust masks that are specially designed to filter out microscopic particles.

SYMBOLLOGY



Volts



Direct Current

SFPM

Surface Feet per Minute (SFPM)



UL Listing for Canada and U.S.

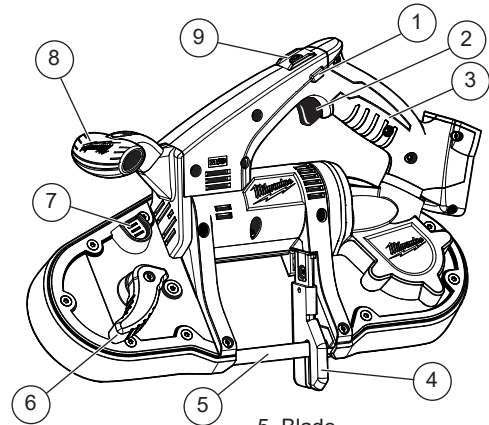
SPECIFICATIONS

Cat. No.....	2629-20
Volts.....	18 DC
Battery Type.....	M18™
Charger Type.....	M18™
SFPM.....	480
Recommended Blades.....	35-3/8" X 1/2" X .020 Bi-Metal

Capacities

Round Stock.....	3-1/4"
Rectangular Stock.....	3-1/4" x 3-1/4"
Recommended Ambient Operating Temperature.....	0°F to 125°F

FUNCTIONAL DESCRIPTION



- | | |
|--------------------|-------------------------|
| 1. Lock-off button | 5. Blade |
| 2. Trigger | 6. Tension lock handle |
| 3. Handle | 7. Blade release button |
| 4. Material guide | 8. Front handle |
| | 9. LED ON button |

ASSEMBLY

▲ WARNING Recharge only with the charger specified for the battery. For specific charging instructions, read the operator's manual supplied with your charger and battery.

Removing/Inserting the Battery

To remove the battery, push in the release buttons and pull the battery pack away from the tool.

⚠WARNING Always remove battery pack before changing or removing accessories.

To insert the battery, slide the pack into the body of the tool. Make sure it latches securely into place.

⚠WARNING Only use accessories specifically recommended for this tool. Others may be hazardous.

Blades and Blade Selection

The blade dimensions required for this band saw is: .020" thickness, 1/2" width and 35-3/8" in length. The special .020" thickness reduces flexure fatigue and provides maximum tooth life. To maximize cutting life, use a blade with the correct pitch (teeth per inch) for the specific cutting job.

Blades are available in several pitches. To select the proper blade, three factors should be considered: The size, shape, and type of material to be cut.

The following suggestions are for selecting the right blade for various cutting operations. Keep in mind that these are broad guidelines and that blade requirements may vary depending upon the specific size, shape and type of material to be cut. Generally, soft materials require coarse pitch blades and hard materials require fine pitch blades. Use coarse pitch blades for thick work and fine pitch blades for thin work. It is important to keep at least three teeth in the cut (see "Typical Application").

10 Teeth per Inch	• For tough stock 3/16" up to 1-5/8" in diameter or width.
14 Teeth per Inch	• For tough stock 5/32" to 3/4" in diameter or width.
18 Teeth per Inch	• For thin-wall tubing and thin sheets heavier than 21 gauge.
24 Teeth per Inch	• For thin-wall tubing and thin sheets heavier than 21 gauge.

Changing Blades

1. REMOVE BATTERY PACK BEFORE CHANGING OR REMOVING BLADES.
2. Raise the material guide to the upper position.
3. Turn the tension lock handle located on the front of the saw 180° counterclockwise.
4. To remove the blade:
 - a. Pull the blade out of the guides.

⚠WARNING Do not touch blade immediately after use. Blade will be hot.

- b. Then, press the Blade Release Button to lift the blade above the blade guard and remove completely.
5. To install a blade:
 - a. Fit the blade around the pulleys.
NOTE: Be sure the teeth face out.
 - b. Firmly press the blade between the guides.
 6. Turn the tension lock handle 180° clockwise to secure the blade on the pulleys.
 7. Adjust the material guide to the desired position.
 8. Be sure that the blade lies freely within the guard channel before starting the tool motor.

BE SURE THAT THE BLADE IS PROPERLY SEATED ON THE PULLEYS BEFORE STARTING THE CUT.

LED Worklight

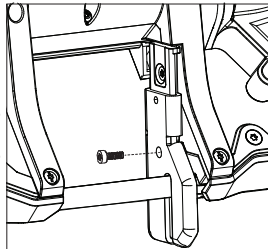
The LED worklight is turned on automatically when the trigger is pulled. To turn on the LED to line-up a cut or light-up the workpiece, press the LED On Button. The LED will go off automatically after about 30 seconds.

Adjusting the 2-Position Material Guide

1. Remove the battery pack.
2. To raise the guide to the upper position, press up firmly to disengage the bottom position detent. Slide the guide to the upper position.
3. To lower the guide, pull down firmly to engage the bottom-position detent.

Fixed Material Guide

1. Remove the battery.
2. To lower the guide, pull down firmly to engage the bottom position detent.
3. Insert the provided screw into the hole on the material guide. Using a 3 mm hex wrench, screw into the tool until snug.

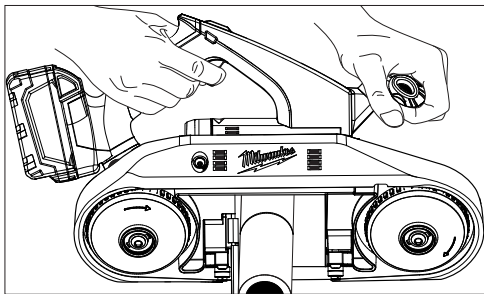


OPERATION

⚠WARNING Always remove battery pack before changing or removing accessories. Only use accessories specifically recommended for this tool. Others may be hazardous. To reduce the risk of injury, wear safety goggles or glasses with side shields. Keep hands away from the blade and all moving parts.

Starting and Stopping

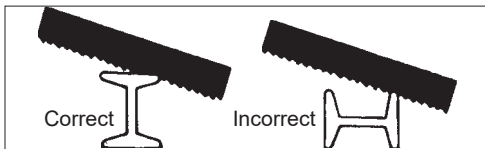
1. To start the tool, grasp the handle firmly. Push the lock-off button down, then pull the trigger. Allow the motor to reach full speed before beginning the cut.
NOTE: The LED is turned on when the trigger is pulled.



2. To stop the tool, release the trigger. Allow the tool to come to a complete stop before removing the blade from a partial cut or laying the tool down.

Typical Application

1. Keep the blade off the workpiece until the motor has reached full speed.
2. Start cutting on a surface where the greatest number of teeth will be in contact with the workpiece at one time.



3. Place the material guide against the workpiece and lower the moving saw blade into the cut.
4. Do not bear down while cutting. The weight of the tool will supply adequate pressure for the fastest cutting.
5. When completing a cut, hold the tool firmly so it will not fall against the workpiece.

MAINTENANCE

⚠WARNING To reduce the risk of injury, always unplug the charger and remove the battery pack from the charger or tool before performing any maintenance. Never disassemble the tool, battery pack or charger. Contact a MILWAUKEE service facility for ALL repairs.

Maintaining Tool

Keep your tool, battery pack and charger in good repair by adopting a regular maintenance program. Inspect your tool for issues such as undue noise, misalignment or binding of moving parts, breakage of parts, or any other condition that may affect the tool operation. Return the tool, battery pack, and charger to a MILWAUKEE service facility for repair. After six months to one year, depending on use, return the tool, battery pack and charger to a MILWAUKEE service facility for inspection.

If the tool does not start or operate at full power with a fully charged battery pack, clean the contacts on the battery pack. If the tool still does not work properly, return the tool, charger and battery pack, to a MILWAUKEE service facility for repairs.

⚠WARNING To reduce the risk of personal injury and damage, never immerse your tool, battery pack or charger in liquid or allow a liquid to flow inside them.

Cleaning

Clean dust and debris from vents. Keep handles clean, dry and free of oil or grease. Use only mild soap and a damp cloth to clean, since certain cleaning agents and solvents are harmful to plastics and other insulated parts. Some of these include gasoline, turpentine, lacquer thinner, paint thinner, chlorinated cleaning solvents, ammonia and household detergents containing ammonia. Never use flammable or combustible solvents around tools.

Repairs

For repairs, return the tool, battery pack and charger to the nearest service center.

ACCESSORIES

⚠WARNING Use only recommended accessories. Others may be hazardous.

For a complete listing of accessories, go online to www.milwaukeetool.com or contact a distributor.

SERVICE - UNITED STATES

1-800-SAWDUST (1.800.729.3878)

Monday-Friday, 7:00 AM - 6:30 PM CST

or visit www.milwaukeetool.com

Contact Corporate After Sales Service Technical Support with technical, service/repair, or warranty questions.

Email: metproductsupport@milwaukeetool.com

Become a Heavy Duty Club Member at www.milwaukeetool.com to receive important notifications regarding your tool purchases.

SERVICE - CANADA

Milwaukee Tool (Canada) Ltd

1.800.268.4015

Monday-Friday, 7:00 AM - 4:30 PM CST

or visit www.milwaukeetool.ca

LIMITED WARRANTY USA & CANADA

Every MILWAUKEE power tool* (see exceptions below) is warranted to the original purchaser only to be free from defects in material and workmanship. Subject to certain exceptions, MILWAUKEE will repair or replace any part on an electric power tool which, after examination, is determined by MILWAUKEE to be defective in material or workmanship for a period of five (5) years** after the date of purchase unless otherwise noted. Return of the power tool to a MILWAUKEE factory Service Center location or MILWAUKEE Authorized Service Station, freight prepaid and insured, is required. A copy of the proof of purchase should be included with the return product. This warranty does not apply to damage that MILWAUKEE determines to be from repairs made or attempted by anyone other than MILWAUKEE authorized personnel, misuse, alterations, abuse, normal wear and tear, lack of maintenance, or accidents.

Normal Wear: Many power tools need periodic parts replacement and service to achieve best performance. This warranty does not cover repair when normal use has exhausted the life of a part including, but not limited to, chucks, brushes, cords, saw shoes, blade clamps, o-rings, seals, bumpers, driver blades, pistons, strikers, lifters, and bumper cover washers.

*This warranty does not cover Air Nailers & Staplers; Airless Paint Sprayer; Cordless Battery Packs; Gasoline Driven Portable Power Generators; Hand Tools; Hoist - Electric, Lever & Hand Chain; M12™ Heated Gear; Reconditioned Product; and Test & Measurement Products. There are separate and distinct warranties available for these products.

**The warranty period for Job Site Radios, M12™ Power Port, M18™ Power Source, Jobsite Fan and Trade Titan™ Industrial Work Carts is one (1) year from the date of purchase. The warranty period for the Drain Cleaning Cables is two (2) years from the date of purchase. The warranty period for the M18™ Compact Heat Gun and the 8 Gallon Dust Extractor is three (3) years from the date of purchase. The warranty period for the LED in the LED Work Light and the LED Upgrade Bulb for the Work Light is the lifetime of the product subject to the limitations above. If during normal use the LED or LED Bulb fails, the part will be replaced free of charge.

Warranty Registration is not necessary to obtain the applicable warranty on a MILWAUKEE power tool product. The manufacturing date of the product will be used to determine the warranty period if no proof of purchase is provided at the time warranty service is requested.

ACCEPTANCE OF THE EXCLUSIVE REPAIR AND REPLACEMENT REMEDIES DESCRIBED HEREIN IS A CONDITION OF THE CONTRACT FOR THE PURCHASE OF EVERY MILWAUKEE PRODUCT. IF YOU DO NOT AGREE TO THIS CONDITION, YOU SHOULD NOT PURCHASE THE PRODUCT. IN NO EVENT SHALL MILWAUKEE BE LIABLE FOR ANY INCIDENTAL, SPECIAL, CONSEQUENTIAL OR PUNITIVE DAMAGES, OR FOR ANY COSTS, ATTORNEY FEES, EXPENSES, LOSSES OR DELAYS ALLEGED TO BE AS A CONSEQUENCE OF ANY DAMAGE TO, FAILURE OF, OR DEFECT IN ANY PRODUCT INCLUDING, BUT NOT LIMITED TO, ANY CLAIMS FOR LOSS OF PROFITS. SOME STATES DO NOT ALLOW THE EXCLUSION OR LIMITATION OF INCIDENTAL OR CONSEQUENTIAL DAMAGES, SO THE ABOVE LIMITATION OR EXCLUSION MAY NOT APPLY TO YOU. THIS WARRANTY IS EXCLUSIVE AND IN LIEU OF ALL OTHER EXPRESS WARRANTIES, WRITTEN OR ORAL. TO THE EXTENT PERMITTED BY LAW, MILWAUKEE DISCLAIMS ANY IMPLIED WARRANTIES, INCLUDING WITHOUT LIMITATION ANY IMPLIED WARRANTY OF MERCHANTABILITY OR FITNESS FOR A PARTICULAR USE OR PURPOSE. TO THE EXTENT SUCH DISCLAIMER IS NOT PERMITTED BY LAW, SUCH IMPLIED WARRANTIES ARE LIMITED TO THE DURATION OF THE APPLICABLE

EXPRESS WARRANTY AS DESCRIBED ABOVE. SOME STATES DO NOT ALLOW LIMITATIONS ON HOW LONG AN IMPLIED WARRANTY LASTS. SO THE ABOVE LIMITATION MAY NOT APPLY TO YOU. THIS WARRANTY GIVES YOU SPECIFIC LEGAL RIGHTS, AND YOU MAY ALSO HAVE OTHER RIGHTS WHICH VARY FROM STATE TO STATE.

This warranty applies to product sold in the U.S.A. and Canada only. Please consult the 'Service Center Search' in the Parts & Service section of MILWAUKEE's website www.milwaukeeetool.com or call 1.800.SAWDUST (1.800.729.3878) to locate your nearest service facility for warranty and non-warranty service on a Milwaukee electric power tool.

LIMITED WARRANTY - MEXICO, CENTRAL AMERICA & CARIBBEAN

TECHTRONIC INDUSTRIES' warranty is for 5 years since the original purchase date.

This warranty card covers any defect in material and workmanship on this Product.

To make this warranty valid, present this warranty card, sealed/stamped by the distributor or store where you purchased the product, to the Authorized Service Center (ASC). Or, if this card has not been sealed/stamped, present the original proof of purchase to the ASC. Call toll-free 1 01 (800) 030-7777 to find the nearest ASC, for service, parts, accessories or components.

Procedure to make this warranty valid

Take the product to the ASC, along with the warranty card sealed/stamped by the distributor or store where you purchased the product, and any faulty piece or component will be replaced without cost for you. We will cover all freight costs relative with this warranty process.

Exceptions

This warranty is not valid in the following situations

- When the product is used in a different manner from the end-user guide or instruction manual.
- When the conditions of use are not normal.
- When the product was modified or repaired by people not authorized by TECHTRONIC INDUSTRIES.

Note: If cord set is damaged, it should be replaced by an Authorized Service Center to avoid electric risks.

SERVICE AND ATTENTION CENTER

Call to 01 (800) 030-7777

IMPORTED AND COMMERCIALIZED BY
TECHTRONIC INDUSTRIES MEXICO, SA DE CV
Av Preident Masarik #29 piso 7, Col. Polanco V Sección
CP 11560, Deleg. Miguel Hidalgo, CDMX

Model: _____

Date of Purchase: _____

Distributor or Store Stamp: _____

RÈGLES DE SÉCURITÉ GÉNÉRALES RELATIVES AUX OUTILS ÉLECTRIQUES

AVERTISSEMENT Lire toutes les consignes de sécurité, consignes, illustrations et spécifications fournies avec cet outil électrique. Ne pas suivre l'ensemble des règles et instructions peut entraîner une électrocution, un incendie ou des blessures graves. Conserver les règles et les instructions à des fins de référence ultérieure. Le terme «outil électrique» figurant dans les avertissements ci-dessous renvoie à l'outil électrique à alimentation par le réseau (à cordon) ou par batterie (sans fil).

SÉCURITÉ DU LIEU DE TRAVAIL

- Veillez à ce que l'aire de travail soit propre et bien éclairée. Le désordre et le manque de lumière favorisent les accidents.
- Ne pas utiliser d'outils électriques dans des atmosphères explosives, par exemple en présence de liquides, gaz ou poussières inflammables. Les outils électriques produisent des étincelles risquant d'enflammer les poussières ou vapeurs.

• S'assurer que les enfants et les curieux se trouvent à une bonne distance au moment d'utiliser un outil électrique. Les distractions peuvent causer une perte de contrôle.

SÉCURITÉ ÉLECTRIQUE

- Les fiches des outils électriques doivent correspondre à la prise secteur utilisée. Ne jamais modifier la fiche, de quelque façon que ce soit. Ne jamais utiliser d'adaptateurs de fiche avec des outils mis à la terre. Les fiches et prises non modifiées réduisent le risque de choc électrique.
- Éviter tout contact avec des surfaces mises à la terre comme des tuyaux, des radiateurs, des cuisinières et des réfrigérateurs. Le risque de choc électrique est accru lorsque le corps est mis à la terre.
- Ne pas exposer les outils électriques à l'eau ou l'humidité. La pénétration d'eau dans ces outils accroît le risque de choc électrique.
- Ne pas maltraiter le cordon d'alimentation. Ne jamais utiliser le cordon d'alimentation pour transporter l'outil électrique et ne jamais débrancher ce dernier en tirant sur le cordon. Garder le cordon à l'écart de la chaleur, de l'huile, des objets tranchants et des pièces en mouvement. Un cordon endommagé ou emmêlé accroît le risque de choc électrique.
- Pour les travaux à l'extérieur, utiliser un cordon spécialement conçu à cet effet. Utiliser un cordon conçu pour l'usage extérieur réduit les risques de choc électrique.
- Si l'utilisation d'un outil électrique est inévitable dans un endroit humide, utiliser une source d'alimentation munie d'un disjoncteur de fuite de terre. L'utilisation d'un disjoncteur de fuite de terre réduit le risque de choc électrique.

SÉCURITÉ INDIVIDUELLE

- Rester attentif, prêter attention au travail et faire preuve de bon sens lors de l'utilisation de tout outil électrique. Ne pas utiliser cet appareil en cas de fatigue ou sous l'influence de l'alcool, de drogues ou de médicaments. Un moment d'inattention pendant l'utilisation d'un outil électrique peut entraîner des blessures graves.
- Porter l'équipement de protection individuel requis. Toujours porter une protection oculaire. Selon les conditions, porter aussi un masque anti-poussières, des bottes de sécurité antidérapantes, un casque protecteur ou une protection auditive afin de réduire les blessures.
- Empêcher les démarrages accidentels. S'assurer que la gâchette est en position d'arrêt avant de brancher l'outil à une source de courant, d'insérer la batterie, de le ramasser ou de le transporter. Le fait de transporter un outil électrique en gardant le doigt sur la gâchette ou de mettre sous tension un outil électrique lorsque la gâchette est en position de marche favorise les accidents.
- Retirer les clés de réglage avant de mettre l'outil en marche. Une clé laissée sur une pièce rotative de l'outil peut causer des blessures.
- Ne pas travailler hors de portée. Toujours se tenir bien campé et en équilibre. Une bonne stabilité procure un meilleur contrôle de l'outil électrique en cas d'imprévu.
- Porter une tenue appropriée. Ne porter ni vêtements amples, ni bijoux. Garder les cheveux et les vêtements à l'écart des pièces en mouvement.

Les vêtements flottants, les bijoux ou les cheveux longs risquent d'être happés par les pièces en mouvement.

- **Si les outils sont équipés de dispositifs de dépeussierage, s'assurer qu'ils sont connectés et correctement utilisés.** L'utilisation d'un collecteur de poussière permet de réduire les dangers liés à la poussière.
- **Ne pas laisser la familiarité avec l'outil acquise par une utilisation fréquente vous rendre suffisant et vous amener à ignorer les règles de sécurité.** Une utilisation négligée peut causer une blessure grave en une fraction de seconde.

UTILISATION ET ENTRETIEN DE L'OUTIL ÉLECTRIQUE

- **Ne pas forcer l'outil électrique. Utiliser l'outil électrique approprié pour l'application.** Un outil électrique approprié exécutera le travail mieux et de façon moins dangereuse s'il est utilisé dans les limites prévues.
- **Ne pas utiliser l'outil électrique si le commutateur ne permet pas de le mettre en marche ou de l'arrêter.** Tout outil électrique qui ne peut pas être contrôlé par son commutateur est dangereux et doit être réparé.
- **Débrancher l'outil et/ou retirer le bloc-piles, si possible, avant d'effectuer des réglages, de changer d'accessoire ou de remiser l'outil.** Ces mesures de sécurité préventives réduisent les risques de démarrage accidentel de l'outil.
- **Entreposer l'outil électrique hors de la portée des enfants et interdire à quiconque de l'utiliser si la personne ne connaît pas bien le produit ou les instructions.** Les outils électriques sont dangereux dans les mains d'utilisateurs novices.
- **Entretenir les outils électriques et les accessoires. Vérifier qu'aucune pièce mobile n'est mal alignée ou bloquée, qu'aucune pièce n'est brisée et s'assurer qu'aucun autre problème risque d'affecter le bon fonctionnement de l'outil.** En cas de dommages, faire réparer l'outil avant de l'utiliser. Plusieurs accidents sont causés par des produits mal entretenus.
- **Garder les outils bien affûtés et propres.** Des outils correctement entretenus et dont les tranchants sont bien affûtés risquent moins de se bloquer et sont plus faciles à contrôler.
- **Utiliser l'outil électrique, les accessoires, les embouts etc. conformément à ces instructions en tenant compte des conditions de travail et de la tâche à effectuer.** L'usage d'un outil électrique pour des applications pour lesquelles il n'est pas conçu peut être dangereux.
- **Garder les poignées et les surfaces de préhension sèches, propres et exemptes d'huile ou de graisse.** Des poignées et des surfaces de préhension glissantes ne permettent pas de manipuler et de contrôler l'outil en toute sécurité en cas de situation imprévue.

UTILISATION ET ENTRETIEN DE LA BATTERIE

- **Pour recharger le bloc-piles, utiliser seulement le chargeur spécifié par le fabricant.** Un chargeur pouvant convenir à un type de bloc-piles peut entraîner un risque d'incendie lorsqu'il est utilisé avec un autre type de bloc-piles.
- **N'utiliser l'outil électrique qu'avec une batterie recommandée.** L'utilisation de tout autre bloc-piles peut créer un risque de blessures et d'incendie.

- **Lorsque le bloc-piles n'est pas utilisé, le tenir éloigné des objets en métal tels que les trombones, les pièces de monnaie, les clés, les clous, les vis ou d'autres petits objets métalliques qui pourraient connecter les bornes.** Le court-circuitage des bornes d'une pile peut entraîner des brûlures ou un incendie.
- **Éviter tout contact avec le liquide pouvant être éjecté de la pile en cas de manutention abusive.** En cas de contact accidentel, rincer immédiatement les parties atteintes avec de l'eau. Si le liquide entre en contact avec les yeux, consulter un médecin. Le liquide éjecté des piles peut causer des irritations ou des brûlures.
- **N'utiliser aucun bloc-piles ni aucun outil ayant été endommagé ou modifié.** Des piles endommagées ou modifiées peuvent adopter un comportement imprévisible pouvant causer un incendie, une explosion ou le risque de blessures.
- **Nas pas exposer le bloc-piles ou l'outil aux flammes ou à une température excessive.** Une exposition aux flammes ou à une température supérieure à 130°C (265°F) peut causer une explosion.
- **Suivre toutes les instructions de charge et ne pas charger le bloc-piles ou l'outil en dehors de la plage de température spécifiée.** Une charge incorrecte ou à des températures en dehors de la plage spécifiée peut endommager la pile et augmenter le risque d'incendie.

ENTRETIEN

- **Les réparations de l'outil électrique doivent être confiées à un technicien qualifié, utilisant exclusivement des pièces identiques à celles d'origine.** Le maintien de la sûreté de l'outil électrique sera ainsi assuré.
- **Ne jamais effectuer la réparation d'un bloc-piles endommagé.** La réparation du bloc-piles doit être réalisée par le fabricant ou les fournisseurs de service agréés uniquement.

RÈGLES DE SÉCURITÉ SPÉCIFIQUES POUR SCIE À RUBAN

- **Tenir l'outil par les surfaces de prise isolées si, au cours des travaux, l'outil de coupe risque d'entrer en contact avec des fils cachés.** Le contact avec un fil sous tension met les parties métalliques exposées de l'outil sous tension, ce qui infligera un choc électrique à l'opérateur.
- **⚠ DANGER Garder les mains à l'écart de la zone de coupe et de la lame. Garder la deuxième main sur la poignée auxiliaire.** Lorsque les deux mains sont utilisées pour tenir la scie, elles ne risquent pas d'être coupées par la lame.
- **Toujours faire preuve de bons sens et procéder avec prudence lors de l'utilisation d'outils.** C'est impossible de prévoir toutes les situations dont le résultat est dangereux. Ne pas utiliser cet outil si vous ne comprenez pas ces instructions d'opération ou si vous pensez que le travail dépasse votre capacité ; veuillez contacter Milwaukee Tool ou un professionnel formé pour recevoir plus d'information ou formation.
- **Maintenir en l'état les étiquettes et les plaques d'identification.** Des informations importantes y figurent. Si elles sont illisibles ou manquantes, contacter un centre de services et d'entretien MILWAUKEE pour un remplacement gratuit.

AVERTISSEMENT Certaines poussières générées par les activités de ponçage, de coupe, de rectification, de perçage et d'autres activités de construction contiennent des substances considérées être la cause de malformations congénitales et de troubles de l'appareil reproducteur. Parmi ces substances figurent:

- le plomb contenu dans les peintures à base de plomb;
 - la silice cristalline des briques, du ciment et d'autres matériaux de maçonnerie, ainsi que
 - l'arsenic et le chrome des sciages traités chimiquement.
- Les risques encourus par l'opérateur envers ces expositions varient en fonction de la fréquence de ce type de travail. Pour réduire l'exposition à ces substances chimiques, l'opérateur doit: travailler dans une zone bien ventilée et porter l'équipement de sécurité approprié, tel qu'un masque anti-poussière spécialement conçu pour filtrer les particules microscopiques.

SPÉCIFICATIONS

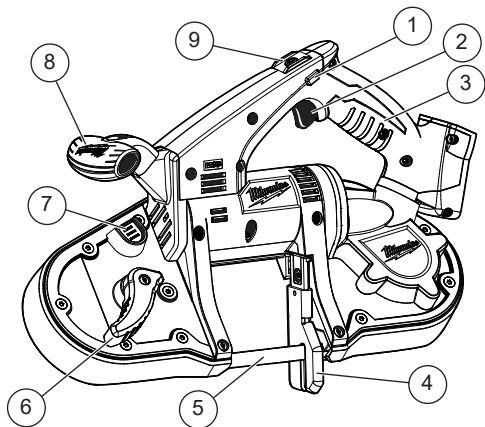
No de Cat..... **2629-20**
 Volts..... 18 CD
 Type de batterie M18™
 Type de chargeur M18™
 SFPM.....480
 Lames recommandées .. 900 mm x 13 mm x 0,5 mm
 (35-3/8" x 1/2" x 0,02")
 Lame bimétallique

Caractéristiques

Matériau rond.....83 mm (3-1/4")
 Matériau rectangulaire.....83 mm x 83 mm
 (3-1/4" x 3-1/4")

Température ambiante de fonctionnement recommandée-18°C à 50°C (0°F à 125°F)

DESCRIPTION FONCTIONNELLE



1. Bouton de verrouillage
2. Gâchette
3. Poignée
4. Point d'appui
5. Lame
6. Poignée de verrouillage de la tension
7. Bouton de dégagement de lame
8. Poignée avant
9. Bouton « DÉL On » (DÉL allumée)

PICTOGRAPHIE

V Volts

--- Courant direct

SFPM Surfaces pieds par minute (SFPM)

UL Listing Mark pour Canada et États-unis

MONTAGE DE L'OUTIL

AVERTISSEMENT Ne recharger la batterie qu'avec le chargeur spécifié. Pour les instructions de charge spécifiques, lire le manuel d'utilisation fourni avec le chargeur et les batteries.

Insertion/Retrait de la batterie

Pour retirer la batterie, enfoncer les boutons de déverrouillage et la tirer hors de l'outil.

AVERTISSEMENT Il faut toujours retirer la batterie et verrouiller la détente de l'outil avant de changer ou d'enlever les accessoires.

Pour insérer la batterie, la glisser dans le corps de l'outil. S'assurer qu'elle est fixée solidement.

AVERTISSEMENT L'emploi d'accessoires autres que ceux qui sont expressément recommandés pour cet outil peut comporter des risques.

Lames et sélection des lames

Les dimensions de la lame requises pour les scies à ruban sont : 0,5 mm d'épaisseur, 13 mm de large et 900 mm de long. L'épaisseur spéciale de 0,5 mm réduit la fatigue par flexion et assure une longévité maximum des dents. Pour maximiser la longévité, utiliser une lame ayant le pas (dents par pouce) correct pour le travail de coupe spécifique.

Les lames sont disponibles en différents pas. Pour sélectionner la lame adaptée, trois facteurs doivent être considérés : la taille, la forme et le type de matériau à découper.

Les suggestions suivantes permettent de sélectionner la bonne lame pour diverses opérations de coupe. Garder à l'esprit que ces directives sont générales et que les exigences des lames peuvent varier selon la taille, la forme et le type spécifiques du matériau à couper. Généralement, des matériaux tendres nécessitent des lames à grand pas et des matériaux durs nécessitent des lames à petit pas. Utiliser des lames à grand pas pour un ouvrage épais et des lames à petit pas pour un ouvrage fin. Il est important de garder au moins trois dents dans la coupe (voir « Application typique »).

10 dents par pouce	Pour un matériau dur de 5 mm jusqu'à 41 mm de diamètre ou de large.
14 dents par pouce	Pour un matériau dur de 4 mm à 19 mm de diamètre ou de large.
18 dents par pouce	Pour une tuyauterie à paroi fine ou des feuilles fines d'une épaisseur supérieure au calibre 21.
24 dents par pouce	Pour une tuyauterie à paroi fine ou des feuilles fines d'une épaisseur supérieure au calibre 21.

Changement de lames

1. RETIRER LE BLOC-PILES AVANT DE CHANGER OU DE RETIRER LES LAMES.
2. Relever le point d'appui jusqu'à la position supérieure.
3. Tourner la poignée de verrouillage de la tension située à l'avant de la scie de 180° dans le sens antihoraire.

⚠ AVERTISSEMENT Ne pas toucher la lame juste après l'utilisation. La lame sera chaude.

4. Pour retirer la lame :
 - a. Tirer la lame hors des guides.
 - b. Puis, appuyer sur le bouton de dégagement de la lame pour soulever la lame au-dessus du protège-lame et la retirer complètement.
5. Pour installer une lame :
 - a. Ajuster la lame autour des poulies.
N.B. : S'assurer que les dents sont dirigées vers l'extérieur.
 - b. Pousser fermement la lame entre les guides.
6. Tourner la poignée de verrouillage de la tension de 180° dans le sens horaire pour fixer solidement la lame sur les poulies.
7. Ajustez le point d'appui de la position désirée
8. S'assurer que la lame repose librement dans la voie du protège-lame avant de démarrer le moteur de l'outil.
S'ASSURER QUE LA LAME EST BIEN APPUYÉE SUR LES POULIES AVANT D'ENTAMER LA COUPE.

DÉL du Travail

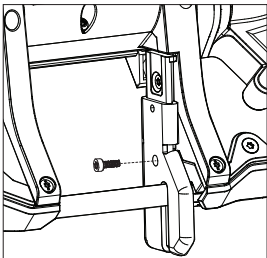
La DÉL du travail s'allume automatiquement lorsque l'utilisateur appuie sur la gâchette. Pour allumer la DÉL afin d'aligner une coupe ou d'éclairer la pièce à travailler, appuyer sur le bouton « DÉL On » (DÉL allumée). La DÉL s'éteint automatiquement après 30 secondes.

Régler le point d'appui à deux positions

1. Retirer le bloc-piles.
2. Pour relever le point d'appui, le pousser fermement vers le haut pour dégager la détente inférieure. Glisser le point d'appui vers le haut.
3. Pour abaisser le point d'appui, le tirer fermement vers le bas pour engager la détente inférieure.

Guide de réglage fixe

1. Débrancher l'outil ou retirer le bloc-piles.
2. Pour abaisser le guide, le tirer fermement vers le bas pour engager la détente inférieure.
3. Insérer la vis fournie dans le trou sur le guide de réglage. À l'aide d'une clé hexagonale 3 mm, visser la vis dans l'outil jusqu'à ce qu'elle soit bien serrée.



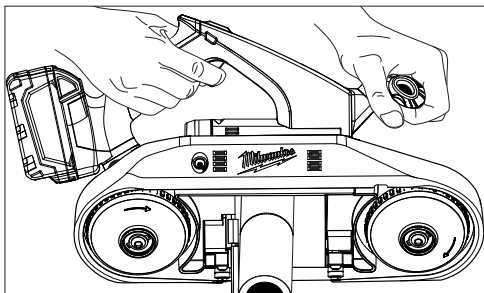
MANIEMENT

⚠ AVERTISSEMENT Il faut toujours retirer la batterie et verrouiller la détente de l'outil avant de changer ou d'enlever les accessoires. L'emploi d'accessoires autres que ceux qui sont expressément recommandés pour cet outil peut comporter des risques.

Pour minimiser les risques de blessures, portez des lunettes à coques latérales. Garder les mains à l'écart de la lame et des autres pièces en mouvement.

Démarrage et arrêt

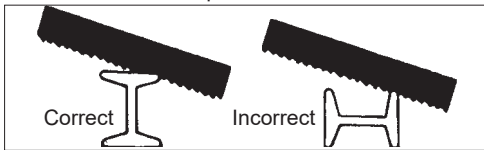
1. Pour **démarrer** l'outil. Poussez le bouton de verrouillage vers le bas, vers puis tirez la gâchette. Permettre au moteur d'atteindre sa pleine vitesse avant de commencer la coupe.
N.B. : La DÉL du travail s'allume lorsque l'utilisateur appuie sur la gâchette.



2. Pour **arrêter** l'outil, relâcher la gâchette. Laisser l'outil s'arrêter complètement avant de retirer la lame d'une coupe partielle ou de déposer l'outil.

Application typique

1. Garder la lame hors de la pièce de fabrication jusqu'à ce que le moteur atteigne la vitesse sélectionnée.
2. Commencer à découper sur une surface où le plus grand nombre de dents est simultanément en contact avec la pièce de fabrication.



3. Placer le support de travail contre la pièce de travail et abaisser la lame de la scie en mouvement dans la coupe.
4. Ne pas appuyer lors de la coupe. Le poids de l'outil assure une pression adaptée pour la coupe la plus rapide.
5. À la fin d'une coupe, maintenir fermement l'outil pour qu'il ne tombe pas contre la pièce de travail.

ENTRETIEN

AVERTISSEMENT Pour minimiser les risques de blessures corporelles, débranchez le chargeur et retirez la batterie du chargeur ou de l'outil avant d'y effectuer des travaux d'entretien. Ne démontez jamais l'outil, la batterie ou le chargeur. Pour toute réparation, consultez un centre de service MILWAUKEE accrédité.

Entretien de l'outil

Gardez l'outil en bon état en adoptant un programme d'entretien ponctuel. Inspectez votre outil pour des questions telles que le bruit excessif, de grippage des pièces mobiles, de pièces cassées ou toute autre condition qui peut affecter le fonctionnement de l'outil. Retournez votre outil à un centre de service MILWAUKEE accrédité pour obtenir le service. Après une période pouvant aller de 6 mois à un an, selon l'usage, retournez votre outil à un centre de service MILWAUKEE accrédité pour d'inspection.

Si l'outil ne démarre pas ou ne fonctionne pas à pleine puissance alors qu'il est branché sur une batterie complètement chargée, nettoyez les points de contact entre la batterie et l'outil. Si l'outil ne fonctionne toujours pas correctement, renvoyez l'outil, le chargeur et la batterie à un centre de service MILWAUKEE accrédité.

AVERTISSEMENT Pour minimiser les risques de blessures ou de dommages à l'outil, n'immergez jamais l'outil, la batterie ou le chargeur et ne laissez pas de liquide s'y infiltrer.

Nettoyage

Débarassez les événements des débris et de la poussière. Gardez les poignées propres, à sec et exemptes d'huile ou de graisse. Le nettoyage doit se faire avec un linge humide et un savon doux. Certains nettoyants tels l'essence, la térebenthine, les diluants à laque ou à peinture, les solvants chlorés, l'ammoniaque et les détergents d'usage domestique qui en contiennent pourraient détériorer le plastique et l'isolation des pièces. Ne laissez jamais des solvants inflammables ou combustibles auprès des outils.

Réparations

Pour les réparations, retournez outil, batterie et chargeur en entier au centre-service le plus près.

ACCESSOIRES

AVERTISSEMENT L'utilisation d'autres accessoires que ceux qui sont spécifiquement recommandés pour cet outil peut comporter des risques.

Pour une liste complète des accessoires, visiter le site internet www.milwaukeetool.com ou contactez un distributeur.

SERVICE - CANADA

Milwaukee Tool (Canada) Ltd
1.800.268.4015

Monday-Friday, 7:00 AM - 4:30 PM CST
www.milwaukeetool.ca

GARANTIE LIMITÉE - AUX ÉTATS-UNIS ET AU CANADA

Chaque outil électrique* MILWAUKEE (voir exceptions ci-dessous) est garanti à l'acheteur d'origine uniquement pour être exempt de vices de matériaux et de fabrication. Sous réserve de certaines exceptions, MILWAUKEE réparera ou remplacera toute pièce d'un outil électrique qui, après examen par MILWAUKEE, s'est avérée être affectée d'un vice de matériau ou de fabrication et ce pendant une période de cinq (5) ans** à compter de la date d'achat, sauf indication contraire. Retourner l'outil électrique à un centre de réparation en usine MILWAUKEE ou à un poste d'entretien agréé MILWAUKEE, en port prépayé et assuré. Une copie de la preuve d'achat doit être présentée lors du retour du produit. Cette garantie ne couvre pas les dommages que MILWAUKEE détermine être causés par des réparations ou des tentatives de réparation par quiconque autre que le personnel agréé par MILWAUKEE, ou par des utilisations incorrectes, des altérations, des utilisations abusives, une usure normale, une carence d'entretien ou des accidents.

Usure normale : Plusieurs outils électriques requièrent un remplacement et un entretien périodique de leurs pièces pour un meilleur rendement. Cette garantie ne couvre pas la réparation des pièces due à l'utilisation normale de l'outil, y compris, mais sans s'y limiter, les mandrins, les brosses, les cordes, les sabots de scie, les portelames, les joints toriques, les joints, les amortisseurs, les lames d'entraînement, les pistons, les perceurs, les crochets et les rondelles à couvercle amortisseur.

*Cette garantie ne s'applique pas aux cloueuses-agrafeuses pneumatiques, aux pulvérisateurs à peinture sans air, aux blocs-piles pour outils sans fil, aux génératrices d'alimentation portatives à essence, aux outils à main, aux monte-charge – électriques, à levier et à chaîne, aux vestes chauffantes M12™, aux produits ré-usinés, ni aux produits d'essai et de mesure. Il existe des garanties séparées distinctes pour ces produits.

**La période de garantie applicable pour les radios de chantier, le port d'alimentation M12™, la source électrique M18™, le ventilateur de chantier et les chariots de travail industriels Trade Titan™ est d'une durée d'un (1) an à compter de la date d'achat. La période de garantie pour les Câbles de nettoyage des canalisations est de deux (2) ans à compter de la date d'achat. La période de garantie pour le Pistolet thermique compact M18™ et Dépoussiéreur de 8 gallons est de trois (3) ans à compter de la date d'achat. La période de garantie couvrant la DEL de la lampe de travail à DEL et l'ampoule améliorée à DEL de la lampe de travail est une garantie à vie du produit soumise aux limitations ci-dessus. En cas de défaillance de la DEL ou de l'ampoule à DEL pendant son utilisation normale, la pièce défaillante sera remplacée gratuitement.

L'enregistrement de la garantie n'est pas nécessaire pour bénéficier de la garantie en vigueur sur un outil électrique MILWAUKEE. La date de fabrication du produit servira à établir la période de garantie, si aucune preuve d'achat n'est fournie lorsqu'une demande de service sous garantie est déposée.

L'ACCEPTATION DES RECOURS EXCLUSIFS DE RÉPARATION ET DE REMPLACEMENT DÉCRITS DANS LES PRÉSENTES EST UNE CONDITION DU CONTRAT D'ACHAT DE TOUT PRODUIT MILWAUKEE. SI VOUS N'ACCEPTEZ PAS CETTE CONDITION, VOUS NE DEVEZ PAS ACHETER LE PRODUIT. EN AUCUN CAS, MILWAUKEE NE SAURAIT ÊTRE RESPONSABLE DE TOUT DOMMAGE ACCESSOIRE, SPÉCIAL OU INDIRECT, DE DOMMAGES-INTÉRÊTS PUNITIFS OU DE TOUTE DÉPENSE, D'HONORAIRES D'AVOCAT, DE FRAIS, DE PERTE OU DE DÉLAIS ACCESSOIRES À TOUT DOMMAGE, DÉFAILLANCE OU DÉFAUT DE TOUT PRODUIT, Y COMPRIS NOTAMMENT LES PERTES DE PROFIT. CERTAINS ÉTATS ET PROVINCES NE PERMETTANT L'EXCLUSION OU LA LIMITATION DES DOMMAGES DIRECTS OU INDIRECTS, LES RESTRICTIONS CI-DESSUS PEUVENT NE PAS VOUS ÊTRE APPLICABLES. CETTE GARANTIE EST EXCLUSIVE ET REMPLACE TOUTE AUTRE GARANTIE EXPRESSE, QU'ELLE SOIT VERBALE OU ÉCRITE. DANS LA MESURE PERMISE PAR LA LOI, MILWAUKEE RENONCE À TOUTE GARANTIE IMPLICITE, Y COMPRIS, MAIS SANS S'Y LIMITER, TOUTE GARANTIE IMPLICITE DE QUALITÉ MARCHANDE OU D'ADAPTATION À UNE UTILISATION OU À UNE FIN PARTICULIÈRE. DANS LA MESURE OU UNE TELLE STIPULATION D'EXONÉRATION N'EST PAS PERMISE PAR LA LOI, LA DURÉE DE CES GARANTIES IMPLICITES EST LIMITÉE À LA PÉRIODE APPLICABLE DE LA GARANTIE EXPRESSE, TEL QUE CELA EST DÉCRIT PRÉCÉDEMMENT. CERTAINS ÉTATS ET PROVINCES NE PERMETTANT PAS DE LIMITATION DE DURÉE DES GARANTIES IMPLICITES, LES RESTRICTIONS CI-DESSUS PEUVENT DONC NE PAS VOUS ÊTRE APPLICABLES. LA PRÉSENTE VOUS CONFÈRE DES DROITS LÉGAUX PARTICULIERS; VOUS BÉNÉFICIEZ ÉGALEMENT D'AUTRES DROITS QUI VARIENT D'UN ÉTAT À UN AUTRE.

Cette garantie s'applique aux produits vendus aux États-Unis et au Canada uniquement.

Veillez consulter la rubrique Centre SAV Milwaukee, dans la section Pièces et Services du site Web de MILWAUKEE, à l'adresse www.milwaukeetool.com, ou composer le 1-800-SAWDUST (1-800-729-3878) afin de trouver le centre de service de votre région le plus proche pour l'entretien, sous garantie ou non, de votre outil électrique Milwaukee.

GARANTIE LIMITÉE - MEXIQUE, AMÉRIQUE CENTRALE ET CARAÏBES

TECHTRONIC INDUSTRIES® garantit le produit pendant 5 ans à partir de la date d'achat d'origine.

Le présent bon de garantie couvre tous les vices de matériau et de fabrication que peut afficher ce produit.

Pour assurer la validité de la présente garantie, veuillez présenter ce bon de garantie, estampillé du sceau du distributeur ou du magasin où le produit a été acheté, au centre de réparations agréé. Si le bon de garantie n'a pas été estampillé, veuillez fournir la preuve d'achat d'origine au centre de réparations agréé.

Pour un entretien des pièces, des accessoires ou des composants, composer sans frais le 1-800-030-7777 afin d'obtenir les coordonnées du centre de réparations agréé le plus près

Procédure pour assurer la validité de la garantie

Présenter le produit au centre de réparations agréé, accompagné du bon de garantie estampillé du sceau du distributeur ou du magasin où le produit a été acheté. Toute pièce défectueuse ou tout composant défectueux sera remplacé(e) sans frais. Milwaukee assume tous les frais de transport liés à ce processus de garantie.

Exceptions

Cette garantie ne s'applique pas dans les situations suivantes :

- Si le produit a été utilisé pour une fin autre que celle indiquée dans le guide de l'utilisateur final ou le manuel d'instructions.
- Si les conditions d'utilisations ne sont pas habituelles.
- Si le produit a été modifié ou réparé par une personne non autorisée par TECHTRONIC INDUSTRIES.

Remarque : Si le cordon électrique est endommagé, il doit être remplacé par un centre de réparations agréé pour éviter les risques d'électrocution.

CENTRE DE RÉPARATIONS ET DE SERVICE
Composer le 01 (800) 030-7777

IMPORTÉ ET COMMERCIALISÉ PAR
TECHTRONIC INDUSTRIES, MEXIQUE, SA DE CV
Av President Masarik #29 piso 7, Col. Polanco V Sección
CP 11560, Deleg. Miguel Hidalgo, CDMX

Modèle : _____

Date d'achat : _____

Sceau du distributeur ou du magasin : _____

ADVERTENCIAS DE SEGURIDAD GENERALES PARA LA HERRAMIENTA ELÉCTRICA

▲ ADVERTENCIA Lea todas las advertencias de seguridad, instrucciones, ilustraciones y especificaciones con esta herramienta eléctrica. Si no sigue todas las advertencias e instrucciones, se pueden provocar una descarga eléctrica, un incendio o lesiones graves. Guarde todas las advertencias e instrucciones para consultarlas en el futuro. El término "herramienta eléctrica" en todas las advertencias incluidas más abajo se refiere a su herramienta operada por conexión (cable) a la red eléctrica o por medio de una batería (inalámbrica).

SEGURIDAD EN EL ÁREA DE TRABAJO

- **Mantenga el área de trabajo limpia y bien iluminada.** Las áreas desordenadas u oscuras son propicias para los accidentes.
- **No utilice herramientas eléctricas en atmósferas explosivas, tales como en presencia de líquidos, gases o polvos inflamables.** Las herramientas eléctricas generan chispas que pueden encender el polvo o los vapores.
- **Mantenga a los niños y a los espectadores alejados mientras utiliza una herramienta eléctrica.** Las distracciones pueden ocasionar la pérdida de control.

SEGURIDAD ELÉCTRICA

- **Los enchufes de la herramienta eléctrica deben coincidir con el tomacorriente. Nunca modifique el enchufe de ninguna manera. No utilice adaptadores**

- de enchufe con herramientas eléctricas aterrizadas.** Los enchufes y tomacorrientes correspondientes sin modificar reducirán el riesgo de descarga eléctrica.
- **Evite el contacto corporal con superficies aterrizadas, tales como tuberías, radiadores, estufas y refrigeradores.** Existe un riesgo mayor de descarga eléctrica si su cuerpo está aterrizado.
- **No exponga las herramientas eléctricas a la lluvia ni a condiciones húmedas.** Si se introduce agua en una herramienta eléctrica, aumentará el riesgo de descarga eléctrica.
- **No maltrate el cable. Nunca utilice el cable para cargar, jalar o desconectar la herramienta eléctrica. Mantenga el cable alejado del calor, el aceite, los bordes afilados o las partes en movimiento.** Los cables dañados o enredados aumentan el riesgo de descarga eléctrica.
- **Al utilizar una herramienta eléctrica en exteriores, utilice una extensión adecuada para uso en exteriores.** El uso de una extensión adecuada para el uso en exteriores disminuye el riesgo de descarga eléctrica.
- **Si es inevitable utilizar una herramienta eléctrica en un lugar húmedo, utilice un alimentador de corriente protegido con un interruptor de circuito por falla de conexión a tierra (GFCI).** El uso de un GFCI reduce el riesgo de descarga eléctrica.

SEGURIDAD PERSONAL

- **Manténgase alerta, atento a lo que está haciendo y utilice el sentido común al utilizar una herramienta eléctrica. No utilice una herramienta eléctrica mientras está cansado o bajo la influencia de drogas, alcohol o medicamentos.** Un momento de distracción al utilizar herramientas eléctricas puede ocasionar lesiones personales graves.
- **Utilice equipo de protección personal. Siempre use protección para los ojos.** El equipo de protección, tal como una máscara contra polvo, calzado antideslizante, casco o protección auditiva, utilizado para condiciones adecuadas disminuirá las lesiones personales.
- **Evite el arranque accidental. Asegúrese de que el interruptor esté en la posición de apagado antes de conectarlo a una fuente de poder y/o batería, levantar o trasladar la herramienta.** Trasladar herramientas con el dedo en el interruptor o energizar herramientas eléctricas que tienen el interruptor encendido propicia accidentes.
- **Retire cualquier llave de ajuste antes de entender la herramienta.** Una llave que se deje insertada en una parte giratoria de la herramienta eléctrica puede ocasionar lesiones personales.
- **No estire el cuerpo demasiado. Mantenga un buen contacto entre los pies y el suelo y mantenga el equilibrio en todo momento.** Esto permite un mejor control de la herramienta eléctrica en situaciones inesperadas.
- **Vístase adecuadamente. No utilice ropa o joyería holgada. Mantenga el cabello y la ropa alejados de las partes móviles.** La ropa holgada, las alhajas o el cabello largo pueden quedarse atrapados en las partes móviles.
- **Si se proporcionan dispositivos para la conexión de instalaciones de extracción y recolección de polvo, cerciórese de que estén conectados y se utilicen correctamente.** El uso de dispositivos recolectores de polvo puede disminuir los riesgos relacionados con el polvo.
- **No permita que la familiaridad por el uso frecuente de las herramientas lo hagan sentirse seguro e ignoren los principios de seguridad de las herramientas.** Un descuido puede provocar lesiones graves en una fracción de segundo.

USO Y CUIDADO DE LAS HERRAMIENTAS ELÉCTRICAS

- **No fuerce la herramienta eléctrica.** Utilice la herramienta eléctrica correcta para su aplicación. La herramienta eléctrica correcta realizará el trabajo mejor y con mayor seguridad a la velocidad para la que fue diseñada.
- **No utilice la herramienta eléctrica si el interruptor no la enciende y la apaga.** Cualquier herramienta eléctrica que no pueda controlarse con el interruptor es peligrosa y debe repararse.
- **Desconecte el enchufe de la fuente de energía y/o quite la batería de la herramienta eléctrica, si es posible, antes de realizar cualquier ajuste, cambiar accesorios o almacenar las herramientas eléctricas.** Tales medidas preventivas de seguridad disminuyen el riesgo de que la herramienta eléctrica se encienda accidentalmente.
- **Almacene las herramientas eléctricas que no se estén utilizando fuera del alcance de los niños y no permita que personas que no estén familiarizadas con la herramienta eléctrica o con estas instrucciones la utilicen.** Las herramientas eléctricas son peligrosas en manos de usuarios sin capacitación.
- **Dé mantenimiento a las herramientas eléctricas y accesorios.** Verifique que no haya desalineación, amarre de partes móviles, partes rotas o alguna otra condición que pueda afectar el funcionamiento de la herramienta eléctrica. Si se daña, asegúrese de que la herramienta eléctrica sea reparada antes de que se utilice. Muchos accidentes son ocasionados por herramientas eléctricas con mantenimiento deficiente.
- **Mantenga las herramientas de corte afiladas y limpias.** Las herramientas de corte correctamente mantenidas con bordes de corte afilados son menos propensas a atorarse y son más fáciles de controlar.
- **Utilice la herramienta eléctrica, los accesorios y las puntas, etc. de acuerdo con estas instrucciones, tomando en cuenta las condiciones de trabajo y el trabajo a realizar.** El uso de la herramienta eléctrica para operaciones diferentes a las previstas podría generar una situación peligrosa.
- **Mantenga las empuñaduras y ñas superficies de sujeción secas, limpias y libres de aceite y grasa.** Las empuñaduras y superficies de sujeción resbalosas no permiten el manejo y control seguros de la herramienta en situaciones inesperadas.

USO Y CUIDADO DE LAS HERRAMIENTAS CON BATERÍA

- **Recargue únicamente con el cargador especificado por el fabricante.** Un cargador que es adecuado para un tipo de batería puede crear un riesgo de incendio si se utiliza con otra batería.
- **Utilice las herramientas eléctricas únicamente con baterías específicamente diseñadas.** El uso de cualquier otra batería puede producir un riesgo de lesiones e incendio.
- **Cuando la batería no esté en uso, manténgala alejada de otros objetos metálicos como sujetapapeles, monedas, llaves, clavos, tornillos u otros objetos metálicos pequeños que puedan formar una conexión de una terminal a otra.** Crear un corto entre las terminales de la batería puede ocasionar quemaduras o un incendio.

- **Bajo condiciones de maltrato, el líquido puede ser expulsado de la batería, evite el contacto.** En caso de contacto accidental, lave con agua. Si el líquido entra en contacto con los ojos, busque además ayuda médica. El líquido expulsado de la batería puede causar irritación o quemaduras.
- **No use una batería o herramienta que se haya dañado o modificado.** Las baterías dañadas o modificadas pueden mostrar un comportamiento impredecible, causando incendios, explosión o riesgo de lesión.
- **No exponga una batería o herramienta al fuego o a temperatura excesiva.** La exposición a fuego o temperatura a más de 130° C (265° F) puede causar explosiones.
- **Siga todas las instrucciones de carga y no cargue la batería o la herramienta fuera del rango de temperatura especificado en las instrucciones.** La carga incorrecta o a temperaturas fuera del rango especificado puede dañar la batería y aumentar el riesgo de incendio.

MANTENIMIENTO

- **Lleve su herramienta eléctrica a servicio con un técnico calificado que use únicamente piezas de reemplazo idénticas.** Esto asegurará que la seguridad de la herramienta eléctrica se mantenga.
- **Nunca dé servicio a baterías dañadas.** Únicamente el fabricante o proveedores de servicio autorizados deben dar servicio a las baterías.

REGLAS ESPECIFICAS DE SEGURIDAD PARA SIERRA DE BANDA

- **Agarre la herramienta por los asideros aislados cuando realice una operación en la que la herramienta de corte pueda entrar en contacto con cables ocultos.** El contacto con un cable "con corriente" hará que las partes de metal expuesto de la herramienta pasen la corriente y produzcan una descarga al operador.
- **⚠PELIGRO** Mantenga las manos alejadas del área de corte y de la hoja. Mantenga la segunda mano en la empuñadura auxiliar. Si ambas manos están sosteniendo la sierra, no podrán cortarse con la hoja.
- **Válgase siempre de su sentido común y sea cuidadoso cuando utilice herramientas.** No es posible anticipar todas las situaciones que podrían tener un desenlace peligroso. No utilice esta herramienta si no entiende estas instrucciones de uso o si considera que el trabajo a realizar supera sus capacidades, comuníquese con Milwaukee Tool o con un profesional capacitado para recibir capacitación o información adicional.
- **Conserve las etiquetas y las placas nominales.** Contienen información importante. Si son ilegibles o no están presentes, comuníquese con un centro de servicio MILWAUKEE para obtener un reemplazo gratuito.
- **⚠ADVERTENCIA** Algunos polvos generados por el lijado eléctrico, aserrado, pulido, taladrado y otras actividades de construcción contienen químicos identificados como causantes de cáncer, defectos congénitos u otros daños reproductivos. Algunos ejemplos de estos químicos son:
 - plomo de pintura basada en plomo
 - dióxido de silicio de los ladrillos y el cemento y otros productos de albañilería y
 - arsénico y cromo de madera con tratamiento químico.

Su riesgo por estas exposiciones varía, dependiendo de la frecuencia con que realice este tipo de trabajo. Para reducir su exposición a estos químicos: trabaje en un área bien ventilada y trabaje con equipo de seguridad aprobado, como mascarillas protectoras contra polvo especialmente diseñadas para filtrar partículas microscópicas.

ENSAMBLAJE

⚠ADVERTENCIA Recargue la batería sólo con el cargador especificado para ella. Para instrucciones específicas sobre cómo cargar, lea el manual del operador suministrado con su cargador y la batería.

Como se inserta/quita la batería en la herramienta

Para **retirar** la batería, presione los botones de liberación y jale de la batería para sacarla de la herramienta.

⚠ADVERTENCIA Para reducir el riesgo de lesiones, extraiga siempre la batería antes de acoplar o desacoplar accesorios.

Para **introducir** la batería, deslícela en el cuerpo de la herramienta. Asegúrese de que quede bien firme en su posición.

⚠ADVERTENCIA Utilice únicamente accesorios específicamente recomendados para esta herramienta. El uso de accesorios no recomendados podría resultar peligroso.

Seguetas y selección de las mismas

Las dimensiones de la seguenta para las sierras Las dimensiones de la seguenta para las sierras continuas son: 0,5 mm de grosor, 13 mm de ancho y 900 mm de largo. El grosor especial de 0,5 mm reduce la fatiga por flexión y proporciona la máxima duración de los dientes. Para maximizar la duración del corte, use una seguenta con el paso correcto (dientes por pulgada) para la tarea de corte específica.

Las seguetas están disponibles en varios pasos. Para seleccionar la seguenta apropiada se deben considerar tres factores: el tamaño, la forma y el tipo de material que se va a cortar.

Se ofrecen las siguientes recomendaciones para seleccionar la seguenta correcta para varias operaciones de corte. Recuerde que éstas son pautas generales y que los requisitos de la seguenta pueden variar dependiendo del tamaño, forma y tipo de material específicos que se van a cortar. Generalmente, los materiales blandos requieren seguetas de paso tosco y los materiales duros requieren seguetas de paso fino. Use seguetas de paso tosco para trabajo grueso y seguetas de paso fino para trabajo delgado. Es importante mantener al menos tres dientes en el corte (consultar "Aplicación típica").

10 dientes por pulgada	Para material duro de entre 5 mm y un máximo de 41 mm de diámetro o ancho.
14 dientes por pulgada	Para material duro de entre 4 mm y 19 mm de diámetro o ancho.
18 dientes por pulgada	Para tuberías de paredes delgadas y láminas delgadas de más de calibre 21.
24 dientes por pulgada	Para tuberías de paredes delgadas y láminas delgadas de más de calibre 21.

SIMBOLOGÍA



Volts



Corriente continua

SFPM

Pies superficiales por minuto (SFPM)



UL Listing Mark para Canadá y Estados Unidos

ESPECIFICACIONES

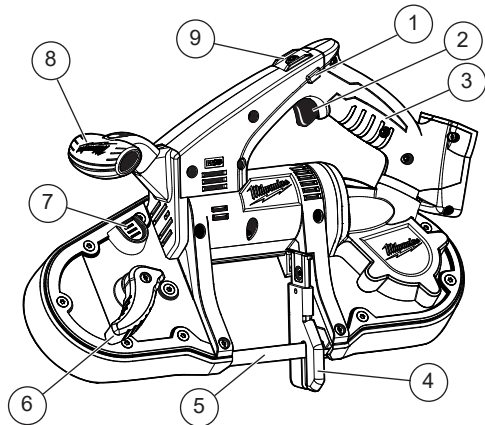
Cat. No. 2629-20
 Volts 18 CD
 Tipo de batería M18™
 Tipo de cargador M18™
 SFPM 480
 Cuchillas recomendadas... 900 mm x 13 mm x 0,5 mm
 (35-3/8" x 1/2" x 0,02")
 Lame bimétalique

Capacidades

Material redondo 83 mm (3-1/4")
 Material rectangular 83 mm x 83 mm
 (3-1/4" x 3-1/4")

Temperatura ambiente recomendada para operar -18°C a 50°C (0°F a 125°F)

DESCRIPCION FUNCIONAL



1. Botón de bloqueo
2. Gatillo
3. Mango
4. Soporte para trabajo fijo
5. Hoja
6. Mango de bloqueo de tensión
7. Botón de liberación de la hoja
8. Mango delantero
9. Botón de encendido de luz de diodo luminiscente

Cambio de hojas

1. quite el paquete de baterías antes de cambiar o quitar las hojas.
2. Coloque el soporte para trabajo fijo en la posición superior.
3. Gire el mango de bloqueo de tensión (ubicado en la parte delantera de la sierra) 180° en sentido contrario a las agujas del reloj.

⚠ADVERTENCIA No toque la hoja inmediatamente después del uso. La hoja será caliente.

4. Para quitar la hoja:
 - a. Tire de la hoja para retirarla de las guías.
 - b. A continuación, presione el botón de liberación de la hoja para levantarla por encima del dispositivo de protección y quítela por completo.
5. Para instalar una hoja:
 - a. Coloque la hoja alrededor de las poleas.
NOTA: asegúrese de que los dientes queden hacia afuera.
 - b. Presione la hoja entre las guías con firmeza.
6. Gire el mango de bloqueo de tensión 180° en sentido de las agujas del reloj para sujetar la hoja a las poleas.
7. Ajuste el soporte para trabajo fijo de la posición deseada.
8. Antes de arrancar el motor de la herramienta, asegúrese de que la hoja no esté trabada dentro del canal del dispositivo de protección.
ASEGURESE DE QUE LA HOJA ESTÉ BIEN ASENTADA EN LAS POLEAS ANTES DE COMENZAR A CORTAR.

Luz de diodo luminiscente de la hoja

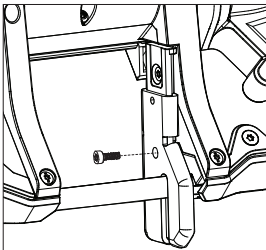
La luz de diodo luminiscente de la hoja se enciende automáticamente cuando se presiona el gatillo. Para encender la luz de diodo luminiscente a fin de alinear un corte o iluminar la pieza de trabajo, presione el botón de encendido de la luz de diodo luminiscente. La luz de diodo luminiscente se apagará automáticamente después de unos 30 segundos.

Ajuste del soporte para trabajo fijo de 2 posiciones

1. Quite el paquete de baterías.
2. Para colocar el soporte en la posición superior, tire con firmeza del seguro hacia arriba para destrabarlo de la posición inferior. Deslice el soporte hasta la posición superior.
3. Para bajar el soporte, tire con firmeza del seguro hacia abajo para trabarlo en la posición inferior.

Guía de material fija

1. Desconecte la herramienta o extraiga la batería.
2. Para bajar la guía, jale firmemente hacia abajo para activar el retén en posición inferior.
3. Inserte el tornillo provisto en el orificio de la guía de material. Con una llave hexagonal de 3 mm, enrosque el tornillo en la herramienta hasta que quede firme.



OPERACION

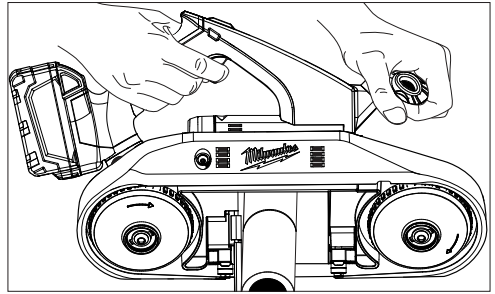
⚠ADVERTENCIA Para reducir el riesgo de lesiones, extraiga siempre la batería antes de acoplar o desacoplar accesorios. Utilice únicamente accesorios específicamente recomendados para esta herramienta. El uso de accesorios no recomendados podría resultar peligroso.

Para reducir el riesgo de lesiones, use siempre lentes de seguridad o anteojos con protectores laterales. Mantenga ambas manos alejadas de la segueta y de otras piezas móviles.

Arranque y detención

1. Para arrancar la herramienta, sujete los mangos con firmeza. Presione el botón de bloqueo y presione el gatillo. Permita que el motor alcance su velocidad máxima antes de iniciar el corte.

NOTA: la luz de diodo luminiscente de la hoja se enciende al presionar el gatillo.



2. Para detener la herramienta, suelte el gatillo. Permita que la herramienta se detenga por completo antes de quitar la hoja de un corte parcial o de dejar a un lado la herramienta.

Aplicaciones típicas

1. Mantenga la segueta fuera de la pieza en la que se está trabajando hasta que el motor haya alcanzado la velocidad seleccionada.
2. Empezar a cortar en una superficie en la que el mayor número de dientes a la vez esté en contacto con la pieza en la que se trabaja.



3. Coloque el apoyo de trabajo contra la pieza en la que se está trabajando y baje la segueta de la sierra en movimiento hacia el corte.
4. No se cargue mientras corta. El peso de la sierra proporcionará la presión adecuada para el corte más rápido.
5. Cuando se finalice un corte, sujete la herramienta con firmeza para que no se caiga contra la pieza en la que se está trabajando.

MANTENIMIENTO

ADVERTENCIA Para reducir el riesgo de una lesión, desconecte siempre la herramienta antes de darle cualquier mantenimiento. Nunca desarme la herramienta ni trate de hacer modificaciones en el sistema eléctrico de la misma. Acuda siempre a un Centro de Servicio MILWAUKEE para TODAS las reparaciones.

Mantenimiento de las herramientas

Adopte un programa regular de mantenimiento y mantenga su herramienta en buenas condiciones. Inspeccione la herramienta para problemas como ruidos indebidos, desalineadas o agarratadas de partes móviles, piezas rotas o cualquier otra condición que pueda afectar el funcionamiento de la herramienta. Envíe su herramienta al Centro de Servicio MILWAUKEE para reparación. Después de 6 meses a un año, dependiendo del uso dado, envíe su herramienta al Centro de Servicio MILWAUKEE más cercano para la inspección.

Si la herramienta no arranca u opera a toda su potencia con una batería completamente cargada, limpie, con una goma o borrador, los contactos de la batería y de la herramienta. Si aun así la herramienta no trabaja correctamente, regrésela, con el cargador y la batería, a un centro de servicio MILWAUKEE.

ADVERTENCIA Para reducir el riesgo de lesiones, descarga eléctrica o daño a la herramienta, nunca la sumerja en líquidos ni permita que estos fluyan dentro de la misma.

Limpieza

Limpie el polvo y suciedad de las ventilas. Mantenga los mangos limpios, secos y libres de aceite o grasa. Use solo jabón neutro y un trapo húmedo para limpiar, ya que algunos substancias y solventes limpiadores son dañinos a los plásticos y partes aislantes. Algunos de estos incluyen: gasolina, turpentina, thinner, lacas, thinner para pinturas, solventes para limpieza con cloro, amoníaco y detergentes caseros que tengan amonía. Nunca use solventes inflamables o combustibles cerca de una herramienta.

Reparaciones

Si su herramienta, batería o cargador están dañados, envíela al centro de servicio más cercano.

ACCESORIOS

ADVERTENCIA Utilice sólo los accesorios específicamente recomendados. Otros accesorios puede ser peligrosos.

Para una lista completa de accesorios, visite nuestro sitio en Internet: www.milwaukeetool.com o póngase en contacto con un distribuidor.

SOPORTE DE SERVICIO - MEXICO

CENTRO DE ATENCION A CLIENTES

Techtronic Industries Mexico, S.A. de C.V.

Av. Presidente Masarik 29 Piso 7

11560 Polanco V Seccion

Miguel Hidalgo, Distrito Federal, México

01 (800) 030-7777 o (561) 4160-3540

Lunes a Viernes (9am a 6pm)

O contáctanos en www.milwaukeetool.com mx

GARANTÍA LIMITADA - E.U.A. Y CANADA

Cada herramienta eléctrica* de MILWAUKEE (ver excepciones a continuación) está garantizada para el comprador original únicamente de que no tenga material y mano de obra defectuosos. Sujeto a ciertas excepciones, MILWAUKEE reparará o reemplazará cualquier parte en una herramienta eléctrica que tenga defectos de material o mano de obra según lo determine MILWAUKEE mediante una revisión, por un periodo de cinco (5) años** después de la fecha de compra o menos que se indique lo contrario. Al devolver la herramienta eléctrica a un Centro de Servicio de la fábrica de MILWAUKEE, una Estación de Servicio Autorizada de MILWAUKEE, se requiere que el flete esté pagado por adelantado y asegurado. Se debe incluir una copia del comprobante de compra con el producto devuelto. Esta garantía no aplica a daños que MILWAUKEE determine que son ocasionados por reparaciones o intentos de reparaciones realizados por una persona que no sea personal autorizado de MILWAUKEE, uso indebido, alteraciones, maltrato, desgaste normal, falta de mantenimiento o accidentes.

Desgaste normal: Muchas herramientas eléctricas necesitan un reemplazo periódico de partes y servicio para lograr el mejor desempeño. Esta garantía no cubre la reparación cuando el uso normal ha agotado la vida de una parte, incluyendo sin limitar a mandriles, cepos, cables, zapatas de la sierra, abrazaderas de la hoja, anillos en O, sellos, protectores, hojas de desatornilladores, pistones, herrajes, levantaos y arandelas de cubierta de los protectores. *Esta garantía no cubre clavadoras y grapadoras neumáticas, pistola de pintura a presión, baterías inalámbricas, generadores de energía portátil de gasolina, herramientas de mano, palanca y cadena de mano de polipasto - eléctricas, indumentaria calefada M12™, producto reacondicionado y productos de prueba y medición. Existen garantías por separado y distintas disponibles para estos productos.

**El periodo de garantía para los radios para obra, puerto de energía M12™, fuente de poder M18™, ventiladores para tora y carretillas de trabajo industrial Trade Titan™ es de un (1) año a partir de la fecha de compra. El periodo de garantía para los Cables de limpieza de drenaje es de dos (2) años a partir de la fecha de compra. El periodo de garantía de la Pistola de calor compacta M18™ de la Extractor de polvo de 8 galones de tres (3) años a partir de la fecha de compra. El periodo de garantía de las lámparas de LED en la Lámpara de trabajo LED y el Bulbo mejorado de LED para la Luz de trabajo es por la vida del producto sujeto a las limitaciones anteriores. Si durante el uso normal el LED o Bulbo de LED falla, la parte será reemplazada sin cargo.

No se requiere el registro de la garantía para obtener la garantía correspondiente a un producto de herramienta eléctrica de MILWAUKEE. La fecha de manufactura del producto se utilizará para determinar el periodo de garantía si no se proporciona comprobante de compra al solicitar el servicio en garantía.

LA ACEPTACIÓN DE LOS REMEDIOS EXCLUSIVOS DE REPARACIÓN Y REEMPLAZO AQUÍ DESCRITOS ES UNA CONDICIÓN DEL CONTRATO PARA LA COMPRA DE TODO PRODUCTO DE MILWAUKEE. SI USTED NO ACEPTA ESTA CONDICIÓN, NO DEBE COMPRAR EL PRODUCTO. MILWAUKEE NO SERÁ RESPONSABLE EN NINGÚN CASO DE DAÑOS INCIDENTALES, ESPECIALES, EMERGENTES O PUNITIVOS NI DE NINGÚN COSTO, HONORARIOS LEGALES, GASTOS, PÉRDIDAS O DEMORAS ALEGADOS COMO CONSECUENCIA DE ALGÚN DAÑO, FALLA O DEFECTO EN NINGÚN PRODUCTO, INCLUYENDO, ENTRE OTROS, RECLAMACIONES POR PÉRDIDA DE UTILIDADES. ALGUNOS ESTADOS NO PERMITEN LA EXCLUSIÓN O LIMITACIÓN DE RESPONSABILIDAD POR DAÑOS INCIDENTALES O EMERGENTES, POR LO QUE LA ANTERIOR LIMITACIÓN O EXCLUSIÓN PODRÍA NO APLICARSE EN SU CASO. ESTA GARANTÍA ES EXCLUSIVA Y REEMPLAZA TODAS LAS DEMÁS GARANTÍAS EXPRESAS, ESCRITAS U ORALES, EN LA MEDIDA EN QUE LO PERMITA LA LEY, MILWAUKEE DESCONOCE CUALQUIER GARANTÍA IMPLÍCITA, INCLUYENDO SIN LIMITACIÓN CUALQUIER GARANTÍA IMPLÍCITA DE COMERCIABILIDAD O IDONEIDAD PARA UN FIN O USO ESPECÍFICO; EN LA MEDIDA EN QUE DICHO DESCONOCIMIENTO NO SEA PERMITIDO POR LA LEY, DICHAS GARANTÍAS IMPLÍCITAS SE LIMITAN A LA DURACIÓN DE LA GARANTÍA EXPRESA CORRESPONDIENTE SEGÚN SE DESCRIBIÓ ANTERIORMENTE. ALGUNOS ESTADOS NO PERMITEN LIMITACIONES SOBRE LA DURACIÓN DE UNA GARANTÍA IMPLÍCITA, POR LO QUE LA ANTERIOR LIMITACIÓN PODRÍA NO APLICARSE A USTED. ESTA GARANTÍA LE DA DERECHOS LEGALES ESPECÍFICOS Y USTED PODRÍA ADEMÁS TENER OTROS DERECHOS QUE VARIAN DE UN ESTADO A OTRO.

Esta garantía aplica al producto vendido en los Estados Unidos y Canadá únicamente.

Consulte la "Búsqueda de centro de servicio" en la sección de Partes y servicio del sitio web de MILWAUKEE en www.milwaukeetool.com o llame al 1.800.SAWDUST (1.800.729.3878) para localizar su centro de servicio más cercano para darle servicio con y sin garantía a una herramienta eléctrica de Milwaukee.

PÓLIZA DE GARANTÍA - VALIDA SOLO PARA MÉXICO, AMÉRICA CENTRAL Y EL CARIBE

La garantía de TECHTRONIC INDUSTRIES es por 5 años a partir de la fecha original de compra.

Esta tarjeta de garantía cubre cualquier defecto de material y mano de obra en ese Producto.

Para hacer válida esta garantía, presente esta tarjeta de garantía, cerrada/sellada por el distribuidor o la tienda donde compró el producto, al Centro de Servicio Autorizado (ASC). O, si esta tarjeta no se ha cerrado/sellado, presente la prueba original de compra a ASC. Llame gratis al 01 (800) 030-7777 para encontrar el ASC más cercano, para servicio, partes, accesorios o componentes.

Procedimiento para hacer válida esta garantía

Lleve el producto a ASC, junto con la tarjeta de garantía cerrada/sellada por el distribuidor o la tienda donde compró el producto, y cualquier pieza o componente defectuoso se reemplazará sin costo para usted. Cubriremos todos los costos de flete con relación a este proceso de garantía

Excepciones

Esta garantía no tendrá validez en las siguientes situaciones:

- Cuando el producto se use de manera distinta a la que indica el manual del usuario final o de instrucciones.
- Cuando las condiciones de uso no sean normales.
- Cuando otras personas no autorizadas por TECHTRONIC INDUSTRIES modifiquen o reparen el producto.

Nota: si el juego de cables está dañado, tiene que reemplazarse en un Centro de Servicio Autorizado para evitar riesgos eléctricos.

CENTRO DE SERVICIO Y ATENCIÓN

Llame al 01 (800) 030-7777

IMPORTADO Y COMERCIALIZADO POR

TECHTRONIC INDUSTRIES, MÉXICO, SA DE CV

Av. President Masarik #29 piso 7, Col. Polanco V Sección

CP 11560, Deleg. Miguel Hidalgo, CDMX

Modelo: _____

Fecha de Compra: _____

Sello del Distribuidor:

MILWAUKEE TOOL
13135 West Lisbon Road
Brookfield, WI 53005 USA

58141020d1
03/18

961012620-01(A)
Printed in China