

Conventional Fire Alarms

Pull Stations

270 Series



Edwards 270 Series non-coded single-action fire alarm stations are sturdy, attractive, and designed for economical installation. The station provides a single action, break glass, initiating operation. It is available with normally open (N.O.), normally closed (N.C.) or combination N.O./N.C. contacts. The 270 Series have screw terminals for field connection. The 270A Series Manual Stations have 6 inch (150mm) wire leads.

All non-coded stations are designed for either flush or surface mounting. For flush mounting a 4-inch standard North American square box with single gang plaster cover should be used.

Features and Specifications

- Single action models
- Pull lever for simple, positive operation
- Break glass operation
- Terminals or wire leads for field connections
- Surface or flush mounting
- Red finish
- Less than 5 lb pull force complies with ADA
- Solid, die-cast metal construction
- Operating temperature range: 32°F to 120°F (0°C to 49°C)

Ordering Information

Description	Cat. No.	Contact Rating		Field Connections	Switch Contacts
		Amps	Voltage		
Single-Action Pull Station	270-DPO	1.5	125V AC/DC	Screw Terminals	Double-pole Alarm, Open Circuit
		0.5	250V AC/DC		
	270-SPO	3.0	30V AC, 60V DC	Screw Terminals	Single-pole Alarm, Open Circuit
		1.5	125V AC/DC		
	270A-DPO	0.5	250V AC/DC	6" Wire Leads	Double-pole Alarm, Open Circuit
		3.0	30V AC, 60V DC		
270-DOC	1.5	125V AC/DC	Screw Terminals	Double-pole Alarm, Open/Closed Circuit	
	0.5	250V AC/DC			

Accessories

Description	Cat. No.
Cast Box for Surface Mounting	P-027193
Steel Box for Surface Mounting	P-039250
Replacement Glass Rods	270-GLR



MEA



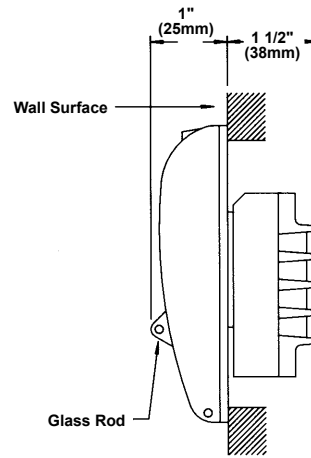
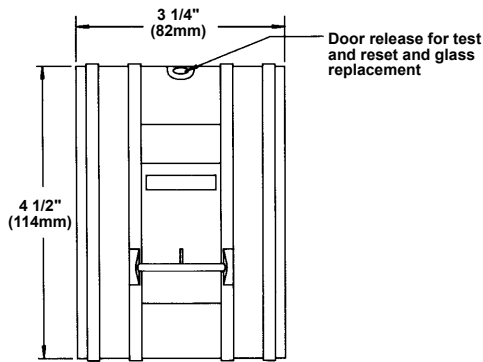
Conventional Fire Alarms

Pull Stations

270 Series

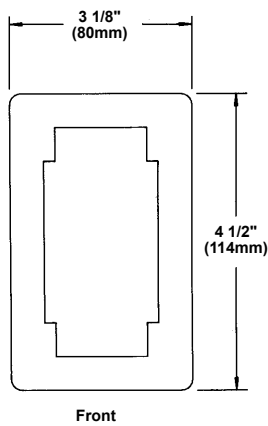
Weights and Dimensions

Cat. No.	Approx. Shipping Weight (lb.)
270-DPO	1.0
270-SPO	1.0
270A-DPO	1.0
270A-SPO	1.0
270-DOC	1.0
P-027193	1.0
P-039250	1.0

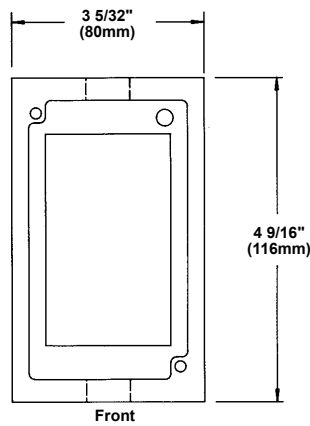
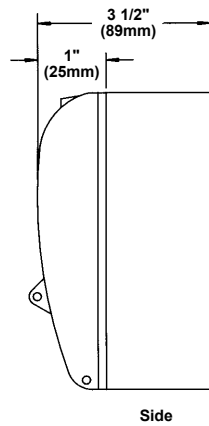


NOTE: Flush mtg. unit fits 4" square box and plaster cover with single gang opening having overall min. depth of 2 1/4"

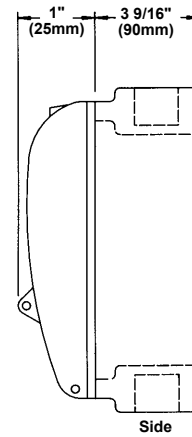
Flush Installation Using P-024900 Steel Box



Steel Surface Box
P-039250



Cast Surface Box
P-027193



Conventional Fire Alarms

Pull Stations

270 Series



Edwards 270 Series non-coded single-action fire alarm stations are sturdy, attractive, and designed for economical installation. The station provides a single action, break glass, initiating operation. It is available with normally open (N.O.), normally closed (N.C.) or combination N.O./N.C. contacts. The 270 Series have screw terminals for field connection. The 270A Series Manual Stations have 6 inch (150mm) wire leads.

All non-coded stations are designed for either flush or surface mounting. For flush mounting a 4-inch standard North American square box with single gang plaster cover should be used.

Features and Specifications

- Single action models
- Pull lever for simple, positive operation
- Break glass operation
- Terminals or wire leads for field connections
- Surface or flush mounting
- Red finish
- Less than 5 lb pull force complies with ADA
- Solid, die-cast metal construction
- Operating temperature range: 32°F to 120°F (0°C to 49°C)

Ordering Information

Description	Cat. No.	Contact Rating		Field Connections	Switch Contacts
		Amps	Voltage		
Single-Action Pull Station	270-DPO	1.5	125V AC/DC	Screw Terminals	Double-pole Alarm, Open Circuit
		0.5	250V AC/DC		
	270-SPO	3.0	30V AC, 60V DC	Screw Terminals	Single-pole Alarm, Open Circuit
		1.5	125V AC/DC		
	270A-DPO	0.5	250V AC/DC	6" Wire Leads	Double-pole Alarm, Open Circuit
		3.0	30V AC, 60V DC		
	270A-SPO	1.5	125V AC/DC	6" Wire Leads	Single-pole Alarm, Open Circuit
		0.5	250V AC/DC		
	270-DOC	1.5	125V AC/DC	Screw Terminals	Double-pole Alarm, Open/Closed Circuit
		0.5	250V AC/DC		

Accessories

Description	Cat. No.
Cast Box for Surface Mounting	P-027193
Steel Box for Surface Mounting	P-039250
Replacement Glass Rods	270-GLR



MEA



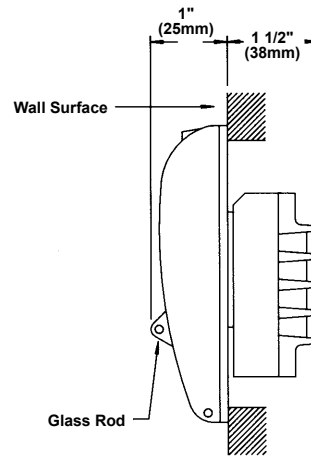
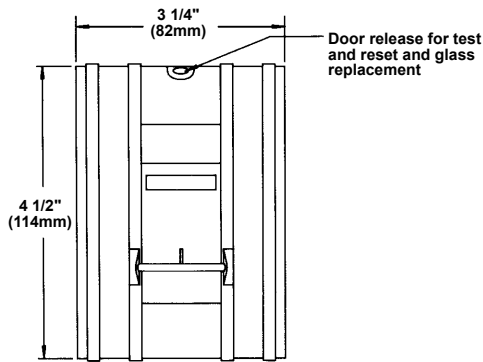
Conventional Fire Alarms

Pull Stations

270 Series

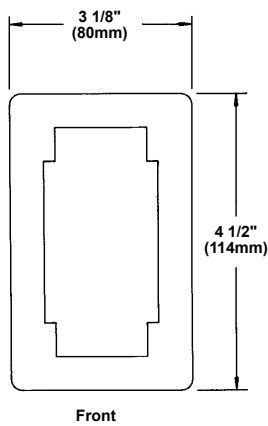
Weights and Dimensions

Cat. No.	Approx. Shipping Weight (lb.)
270-DPO	1.0
270-SPO	1.0
270A-DPO	1.0
270A-SPO	1.0
270-DOC	1.0
P-027193	1.0
P-039250	1.0

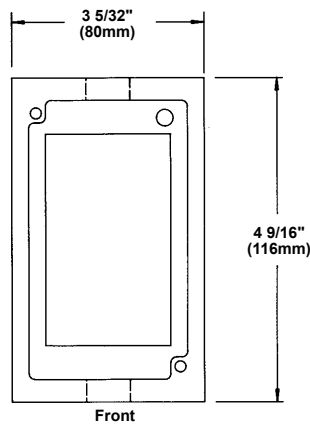
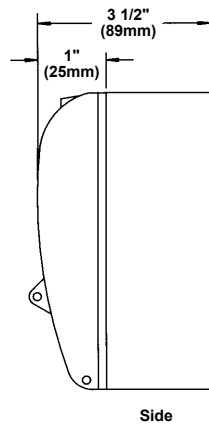


NOTE: Flush mtg. unit fits 4" square box and plaster cover with single gang opening having overall min. depth of 2 1/4"

Flush Installation Using P-024900 Steel Box



Steel Surface Box
P-039250



Cast Surface Box
P-027193

