
 TECHNICAL DATA SHEET

Extension ring, universal 2-gang

Weatherproof

Red Dot®



Rugged extension ring to accept wiring devices, switches, electronic components, and terminal blocks.

Certifications / Standards:



Applications:

- Dry-Tite™ extension ring provides additional wiring space for weatherproof boxes

Features:

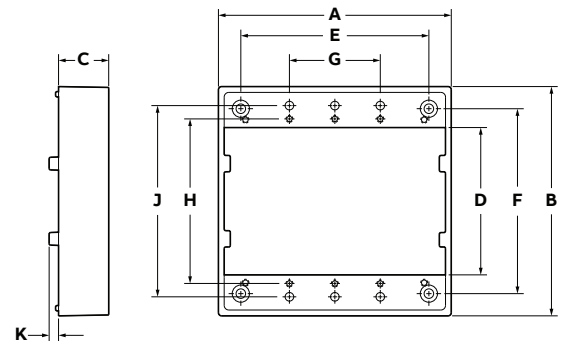
- Two-gang design
- 18.3 Cu.In internal volume
- Die-cast construction
- Suitable for wet locations when used with appropriate cover
- Clean cover edges provide good gasket sealing
- Gasket and screws are included

Materials:

- Aluminum alloy A380
- Powder-coated finish

Compliances:

- NEMA 3R rated



Product selection

Part no.	A	B	C	D	E	F	G	H	J	K
2IHE/S450E	4.64"	4.57"	1.00"	2.94"	3.75"	3.69"	1.81"	3.28"	3.81"	0.19"

Note: Product must be installed in accordance with applicable national and local electrical codes.

 TECHNICAL DATA SHEET

Extension ring, universal 2-gang

Weatherproof

Red Dot®



Rugged extension ring to accept wiring devices, switches, electronic components, and terminal blocks.

Certifications / Standards:



Applications:

- Dry-Tite™ extension ring provides additional wiring space for weatherproof boxes

Features:

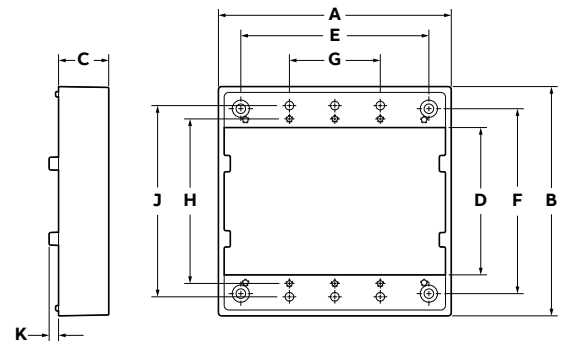
- Two-gang design
- 18.3 Cu.In internal volume
- Die-cast construction
- Suitable for wet locations when used with appropriate cover
- Clean cover edges provide good gasket sealing
- Gasket and screws are included

Materials:

- Aluminum alloy A380
- Powder-coated finish

Compliances:

- NEMA 3R rated



Product selection

Part no.	A	B	C	D	E	F	G	H	J	K
2IHE/S450E	4.64"	4.57"	1.00"	2.94"	3.75"	3.69"	1.81"	3.28"	3.81"	0.19"

Note: Product must be installed in accordance with applicable national and local electrical codes.