



Catalog Number: 303612-TC3R
Item Description: N3R TELEPHONE CAB
UPC Code: 784572231245

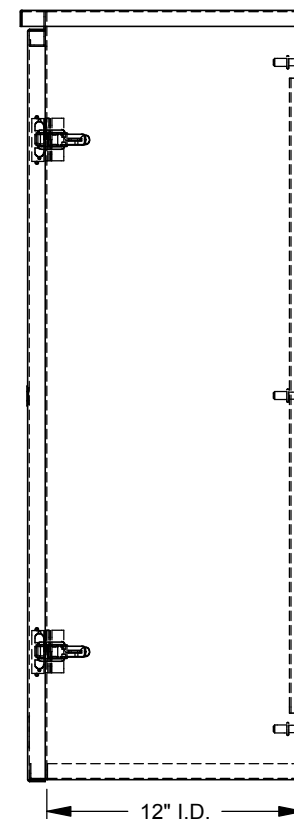
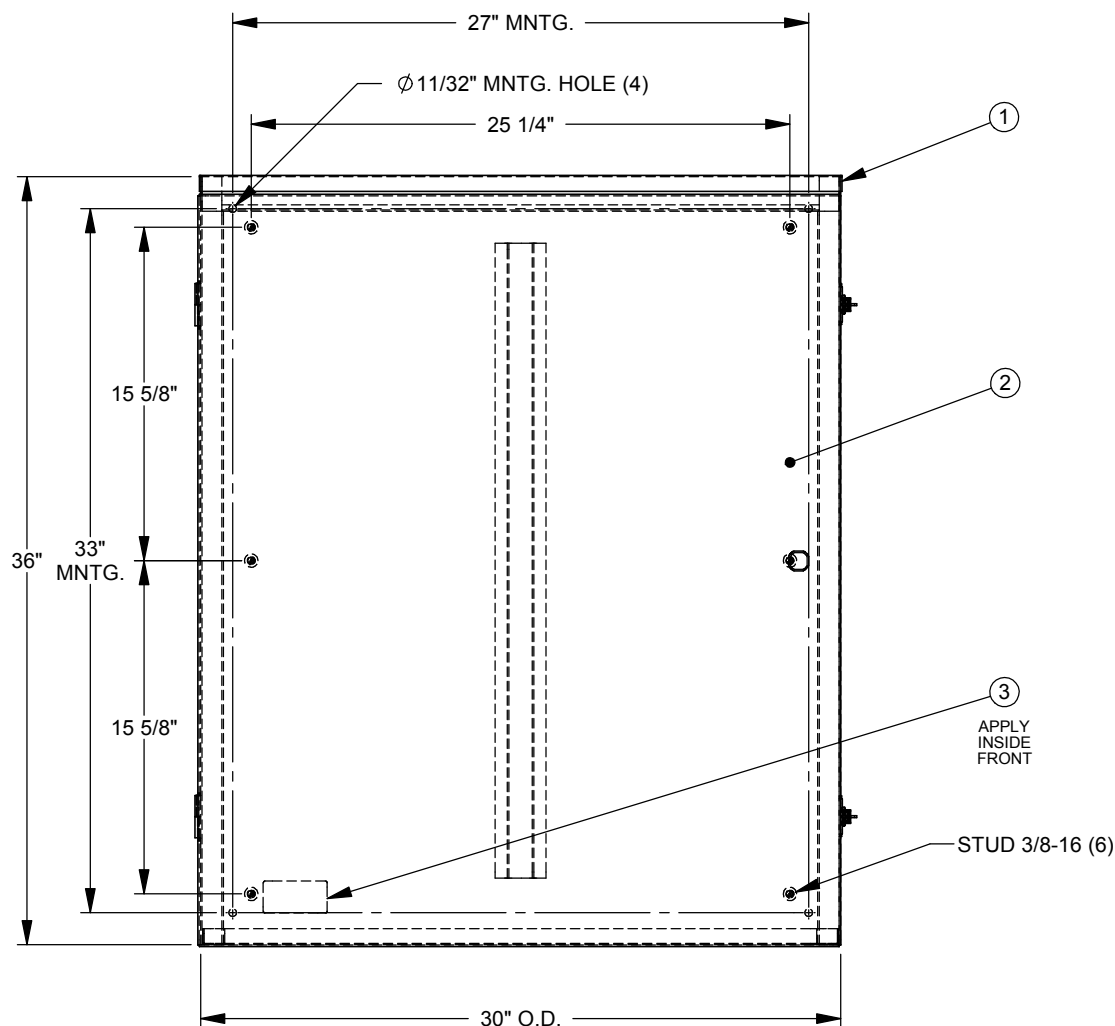
Brand Name: Milbank
Type: Telephone Cabinet
Special Features: Pad Lockable Draw Latch Installed,
Continuous Hinge
Application: Outdoor Telephone Cabinet
Standard: UL Listed, Type 3R
Number Of Outlet: 0
Door: Single Door
Material: Steel with Powder Coat Finish
Cable Entry: No Knockouts
Color: ANSI 61 Gray
Mounting: Wall Mount




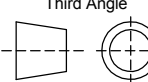
Utility requirements may vary. Always consult the serving utility for their requirements prior to ordering or installing this equipment. This product must always be installed by a licensed electrician. Installation of this equipment may require local electrical inspector approval.

CATALOG NO.	LABEL NO.
303612-TC3R	1003115
RC-303612-TC3R	1125418

ITEM	QTY.	PART NUMBER	DESCRIPTION
1	1	1153637	BACK WELDMENT
2	1	1153636	
3	1	(SEE CHART)	LABEL (UL)
4	2	1002169	BAG ASSY (NOT SHOWN)
5	1	1002978	CARTON (NOT SHOWN)



NOTES:
1.) PLACE BAG ASSEMBLIES INSIDE CABINET.

Material:	GALV. STEEL 16 GA. TOP/BTM 14 GA. BACK/FRNT		 General Offices: Kansas City, MO
Shear/ Die#:			
Finish:	MILBANK LIGHT GRAY		Title:
Part Wt.:			TELEPHONE CABINET TYPE 3R
Tolerances: Unless Specified Otherwise		Third Angle 	Catalog No.:
X.X	±.1		SEE CHART
X.XX	±.03		Customer:
X.XXX	±.015		MILBANK STANDARD
X*	±2*		Drawing No.:
Scale:	NTS	Checked By:	
Drawn By:	D.F.	Approved By:	
Date:	6/7/11	Sheet	1 of 1

REV.	DATE	DESCRIPTION	BY
B2	6/7/11	ADD CHART; REDRAW INTO SOLIDWORKS (ECO #20764)	D.F.



Catalog Number: 303612-TC3R
Item Description: N3R TELEPHONE CAB
UPC Code: 784572231245

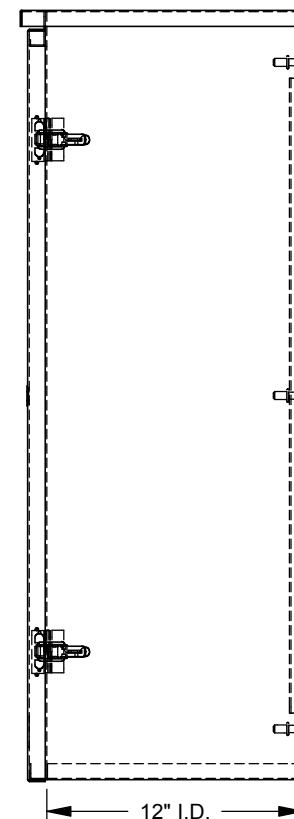
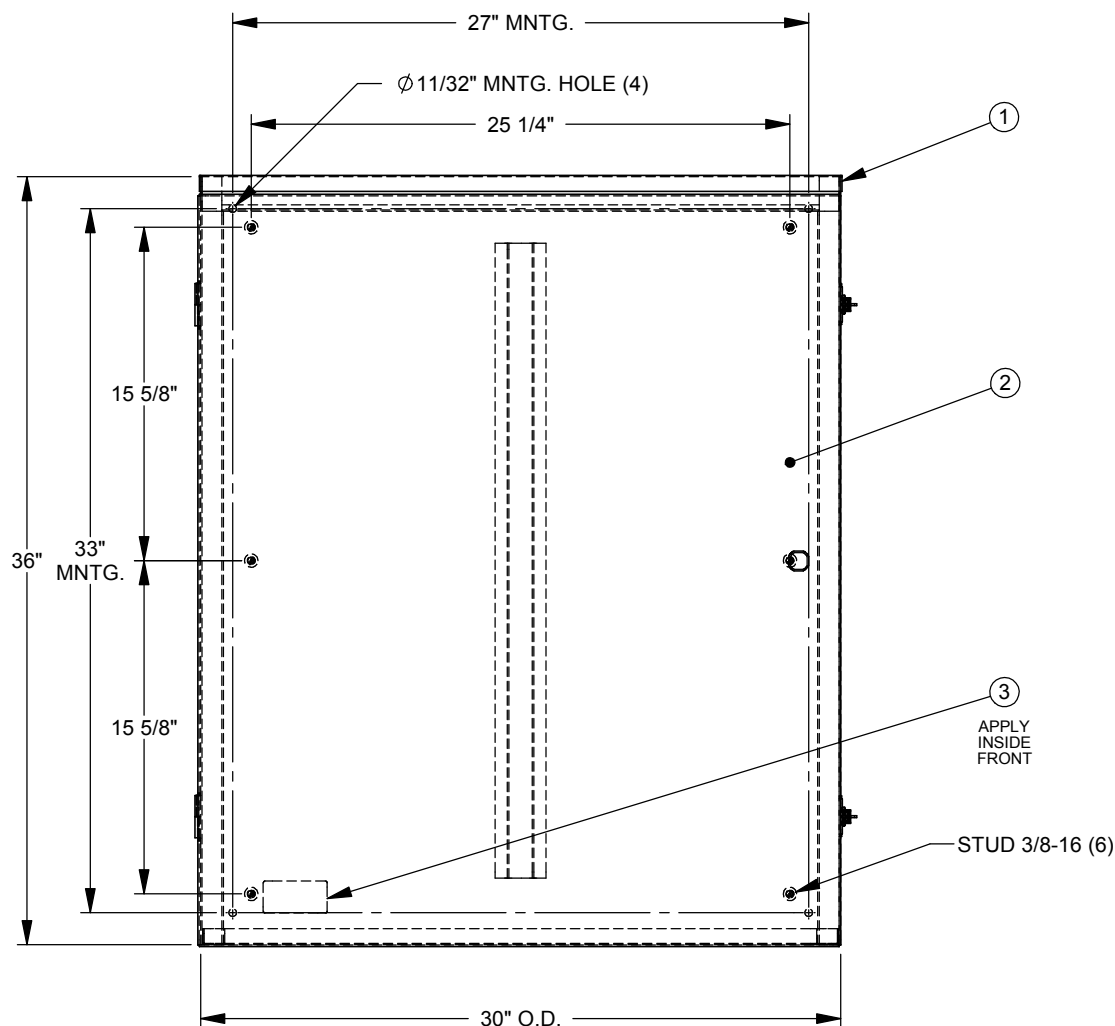
Brand Name: Milbank
Type: Telephone Cabinet
Special Features: Pad Lockable Draw Latch Installed,
Continuous Hinge
Application: Outdoor Telephone Cabinet
Standard: UL Listed, Type 3R
Number Of Outlet: 0
Door: Single Door
Material: Steel with Powder Coat Finish
Cable Entry: No Knockouts
Color: ANSI 61 Gray
Mounting: Wall Mount




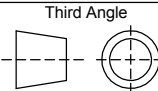
Utility requirements may vary. Always consult the serving utility for their requirements prior to ordering or installing this equipment. This product must always be installed by a licensed electrician. Installation of this equipment may require local electrical inspector approval.

CATALOG NO.	LABEL NO.
303612-TC3R	1003115
RC-303612-TC3R	1125418

ITEM	QTY.	PART NUMBER	DESCRIPTION
1	1	1153637	BACK WELDMENT
2	1	1153636	
3	1	(SEE CHART)	LABEL (UL)
4	2	1002169	BAG ASSY (NOT SHOWN)
5	1	1002978	CARTON (NOT SHOWN)



NOTES:
1.) PLACE BAG ASSEMBLIES INSIDE CABINET.

Material:	GALV. STEEL 16 GA. TOP/BTM 14 GA. BACK/FRNT		 General Offices: Kansas City, MO
Shear/ Die#:			
Finish:	MILBANK LIGHT GRAY		Title:
Part Wt.:			TELEPHONE CABINET TYPE 3R
Tolerances: Unless Specified Otherwise		Third Angle 	Catalog No.:
X.X	±.1		SEE CHART
X.XX	±.03		Customer:
X.XXX	±.015		MILBANK STANDARD
X*	±2*		Drawing No.:
Scale:	NTS	Checked By:	
Drawn By:	D.F.	Approved By:	
Date:	6/7/11	Sheet	1 of 1

REV.	DATE	DESCRIPTION	BY
B2	6/7/11	ADD CHART; REDRAW INTO SOLIDWORKS (ECO #20764)	D.F.