



MILBANK[®]
ENERGY AT WORK

323215-TC3RXA-SP1

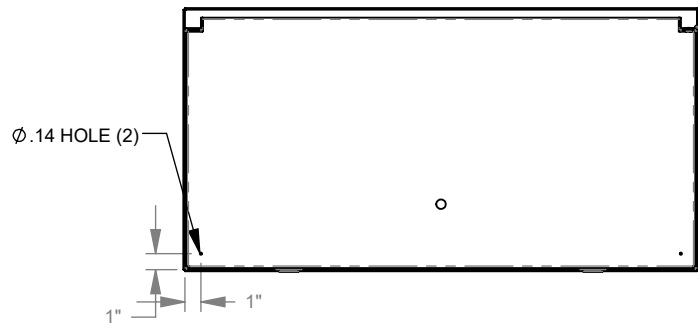
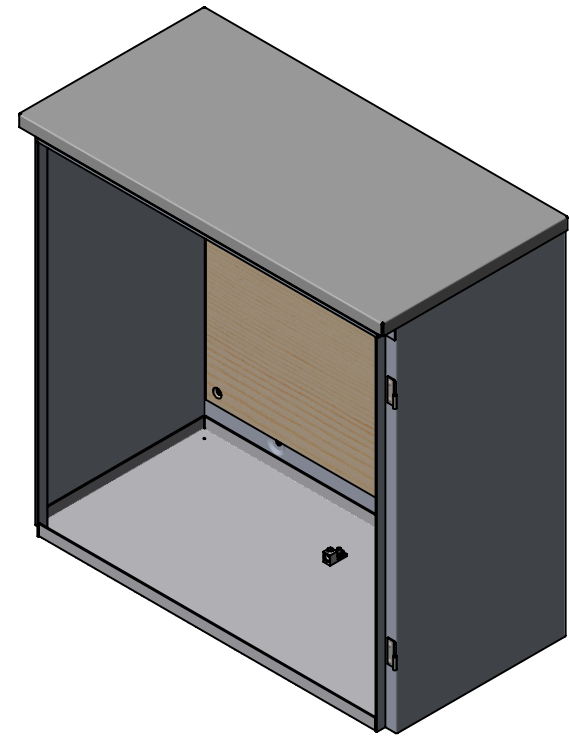
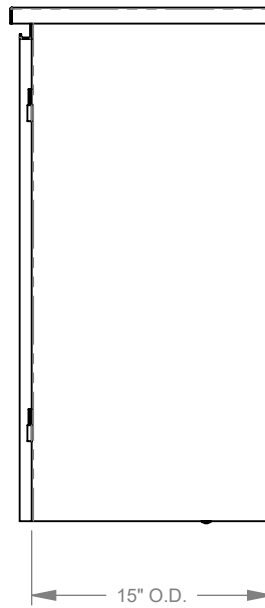
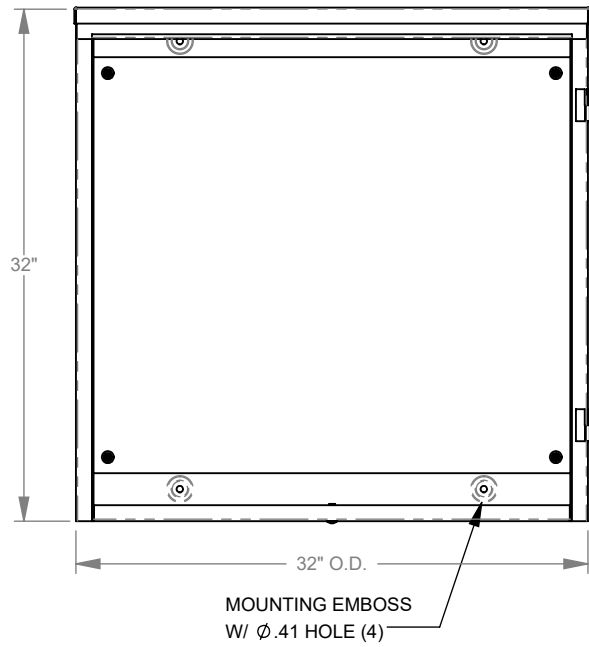


Catalog Number	323215-TC3RXA-SP1
Marketing Product Description	32x15x32 Hinge Cover Type 3R UL Listed Aluminum No Knockouts No Paint Lift Off Hinges Padlocking Handle 1 Position Connector Single Door
UPC	784572304901
Length (IN)	15
Width (IN)	32
Height (IN)	32
Weight (LB)	58
Brand Name	Milbank
Type	Telephone Cabinet
Special Features	Plywood Backboard Installed; Mounting Emboss on Enclosure Back
Application	Outdoor Telephone Cabinet
Standard	UL Listed;Type 3R
Number Of Outlet	0
Door	Single Door
Material	Aluminum
Cable Entry	No Knockouts
Size	15 In x 32 In x 32 In
Color	Unpainted
Mounting	Wall Mount

Latch Pad Locking L Handle

Hinge Lift Off Hinge

Please consult serving utility for their requirements prior to ordering or installing, as specifications and approvals vary by utility and may require local electrical inspector approval. All installations must be installed by a licensed electrician and must comply with all national and local codes, laws and regulations. Milbank reserves the right to make changes in specifications and features shown without notice or obligation.



Version:

1

**All dimensions are +/- 1/16".
Drawing views are not to scale.**

Please consult serving utility for their requirements prior to ordering or installing, as specifications and approvals vary by utility, and may require local electrical inspector approval. All installations must be installed by a licensed electrician and must comply with all national and local codes, laws and regulations. Milbank reserves the right to make changes in specifications and features shown without notice or obligation.



MILBANK[®]
ENERGY AT WORK

323215-TC3RXA-SP1

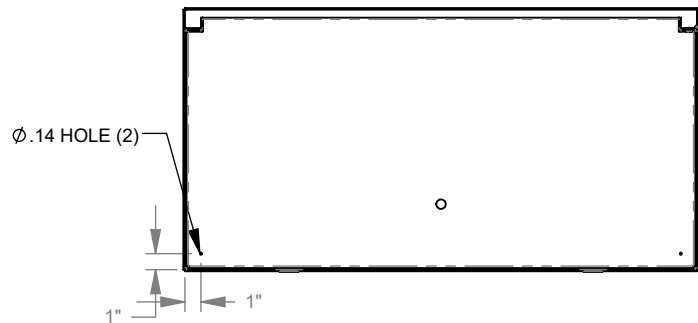
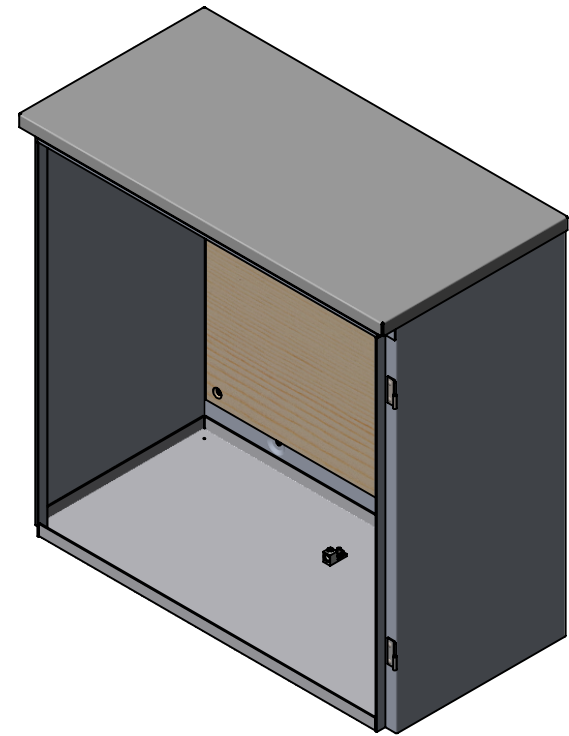
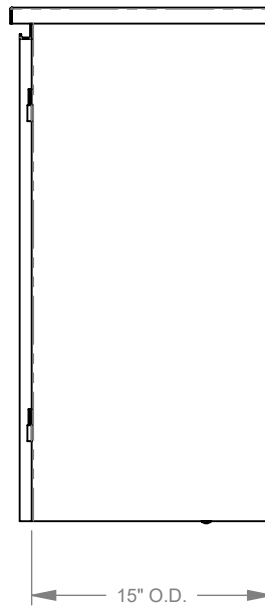
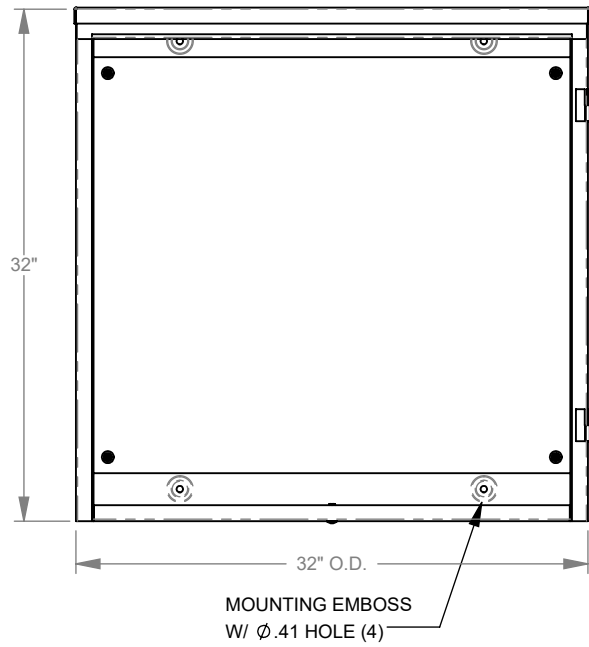


Catalog Number	323215-TC3RXA-SP1
Marketing Product Description	32x15x32 Hinge Cover Type 3R UL Listed Aluminum No Knockouts No Paint Lift Off Hinges Padlocking Handle 1 Position Connector Single Door
UPC	784572304901
Length (IN)	15
Width (IN)	32
Height (IN)	32
Weight (LB)	58
Brand Name	Milbank
Type	Telephone Cabinet
Special Features	Plywood Backboard Installed; Mounting Emboss on Enclosure Back
Application	Outdoor Telephone Cabinet
Standard	UL Listed;Type 3R
Number Of Outlet	0
Door	Single Door
Material	Aluminum
Cable Entry	No Knockouts
Size	15 In x 32 In x 32 In
Color	Unpainted
Mounting	Wall Mount

Latch Pad Locking L Handle

Hinge Lift Off Hinge

Please consult serving utility for their requirements prior to ordering or installing, as specifications and approvals vary by utility and may require local electrical inspector approval. All installations must be installed by a licensed electrician and must comply with all national and local codes, laws and regulations. Milbank reserves the right to make changes in specifications and features shown without notice or obligation.



Version:

1

**All dimensions are +/- 1/16".
Drawing views are not to scale.**

Please consult serving utility for their requirements prior to ordering or installing, as specifications and approvals vary by utility, and may require local electrical inspector approval. All installations must be installed by a licensed electrician and must comply with all national and local codes, laws and regulations. Milbank reserves the right to make changes in specifications and features shown without notice or obligation.