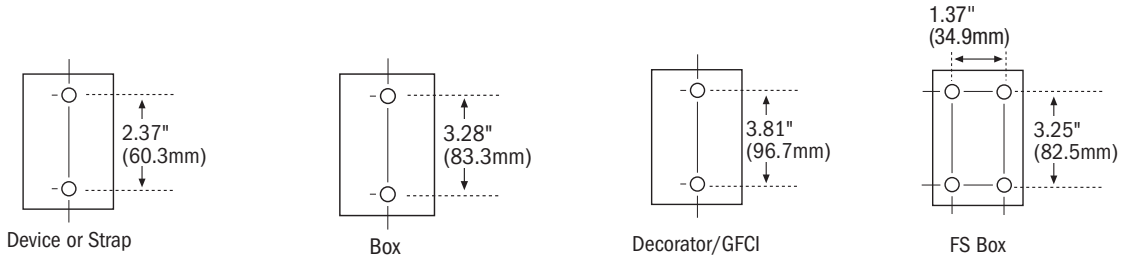


## Mounting Holes for Wallplates and Covers

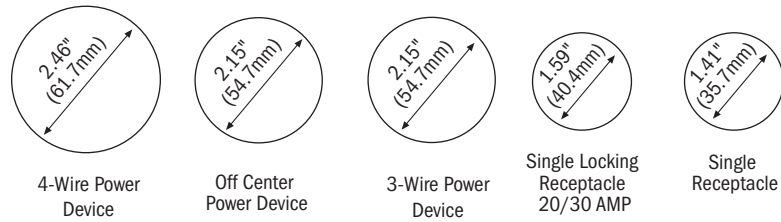
These are the most common nominal spacings for mounting holes on wallplates and covers. Holes are normally countersunk for oval head #6-32 screws.



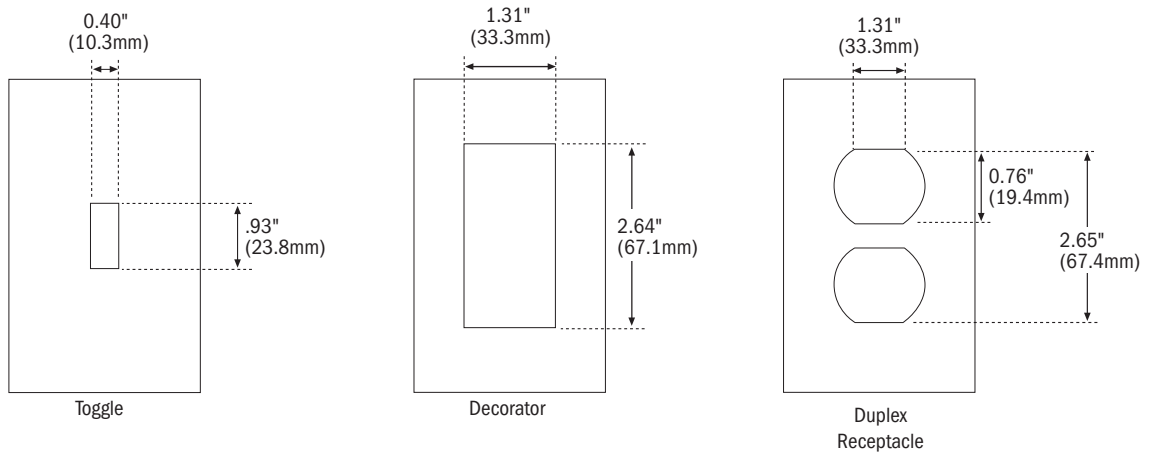
## Plate and Cover Opening Dimensions

### Cover Openings

Nominal dimensions for plate and cover openings conform to industry standards and practices.

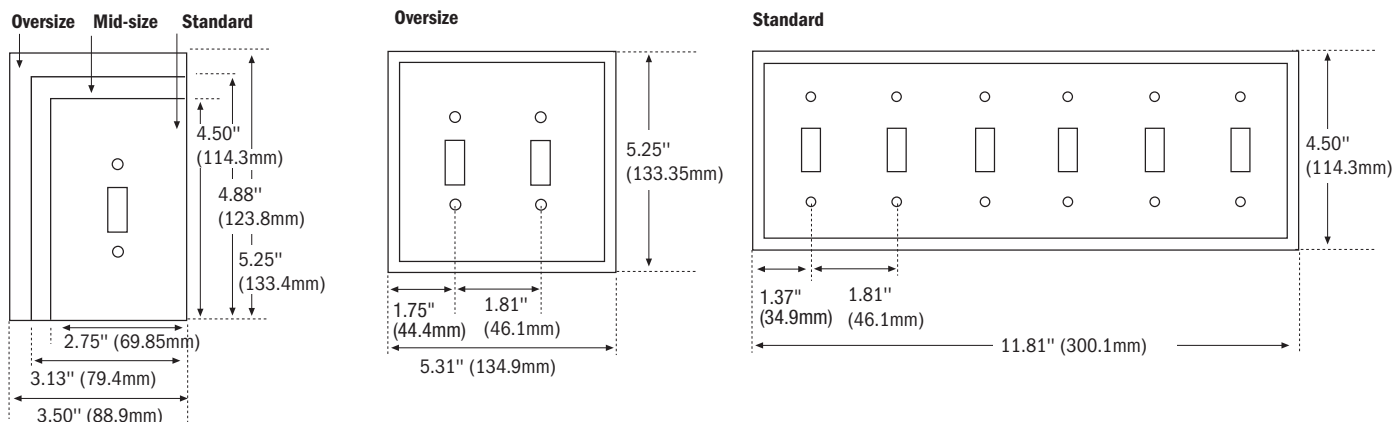


### Common Opening Configurations




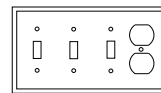
## Wallplate Sizes

Description		Height	Width	First Gang to Edge	Gang to Gang
1-Gang	Standard	4.50" (114.3mm)	2.75" (69.8mm)	1.37" (34.9mm)	—
	Mid-Size	4.87" (123.8mm)	3.12" (79.4mm)	1.56" (39.7mm)	—
	Oversize	5.25" (133.3mm)	3.50" (88.9mm)	1.75" (44.4mm)	—
2-Gang	Standard	4.50" (114.3mm)	4.56" (115.9mm)	1.37" (34.9mm)	1.81" (46.0mm)
	Mid-Size	4.87" (123.8mm)	4.94" (125.4mm)	1.56" (39.7mm)	1.81" (46.0mm)
	Oversize	5.25" (133.3mm)	5.31" (134.9mm)	1.75" (44.4mm)	1.81" (46.0mm)
3-Gang	Standard	4.50" (114.3mm)	6.37" (161.9mm)	1.37" (34.9mm)	1.81" (46.0mm)
	Mid-Size	4.87" (123.8mm)	6.75" (171.4mm)	1.56" (39.7mm)	1.81" (46.0mm)
	Oversize	5.25" (133.4mm)	7.17" (182.2mm)	1.75" (44.4mm)	1.81" (46.1mm)
4-Gang	Standard	4.50" (114.3mm)	8.19" (207.9mm)	1.37" (34.9mm)	1.81" (46.0mm)
	Mid-Size	4.87" (123.8mm)	8.56" (217.5mm)	1.56" (39.7mm)	1.81" (46.0mm)
	Oversize	5.25" (133.3mm)	8.94" (227.0mm)	1.75" (44.4mm)	1.81" (46.0mm)
5-Gang	Standard	4.50" (114.3mm)	10.00" (254.0mm)	1.37" (34.9mm)	1.81" (46.0mm)
	Mid-Size	4.87" (123.8mm)	10.37" (263.5mm)	1.56" (39.7mm)	1.81" (46.0mm)
6-Gang	Standard	4.50" (114.3mm)	11.81" (300.0mm)	1.37" (34.9mm)	1.81" (46.0mm)
	Mid-Size	4.87" (123.8mm)	12.18" (309.5mm)	1.56" (39.7mm)	1.81" (46.0mm)




**Combination 4-Gang**

Description	Material	Catalog No.	Colors	
3 Toggles & Duplex Receptacle	Thermoset	□ 2174__	A, LA, V, W	•
	302/304 Stainless Steel	□ 93554	—	•



4-Gang, 3 Toggles & Duplex Receptacle

**Power Outlet**

Description	Material	Catalog No.	Colors	
1-Gang with 1.59" (40.5mm) Hole	302/304 Stainless Steel	□ 93111	—	•
1-Gang with 2.15" (54.8mm) Hole	Thermoset	□ 2068	A, B, V, W	•
	302/304 Stainless Steel	□ 93221	—	•
	Chrome	□ 39CH*	—	•
2-Gang with 2.15" (54.7mm) Hole	Thermoset	□ 2168__	A, B, LA, V, W	•
	302/304 Stainless Steel	□ 93227	—	•
	Chrome	□ 68*	—	•
2-Gang with 2.15" (54.7mm) Off Center Hole	Chrome	□ 192*	—	•
2-Gang with 2.28" (57.9mm) Hole	302/304 Stainless Steel	□ 93228	—	•
2-Gang with 2.47" (62.7mm) Hole	302/304 Stainless Steel	□ 93223	—	•
	Chrome	□ 69*	—	•
2-Gang with 2.47" (62.7mm) Hole	Nylon	□ 5169__	B, V, W	•

\* UL certified



93111



93221



192



93223, 69



2168  
93227, 68



93228

**Standard Size Wallplate Guide for Power Devices**

Power Device Catalog No.	Wallplate Catalog No.
32B, 38B, 1233, 1234, 1253, 1254, 1257, 1258, 1263, 5700N, 5709N, 5716N, 5795N, 7985N	39CH, 68, 2068, 2168, 93221, 93227
5515N, 5744N, 5754N, 8430N, 8450N, 8460N, 9460N	69, 5169, 93223
122B	192

**Color Ordering Information**

For ordering wallplates, include Cat. No. followed by the color code: A (Almond), B (Brown), BK (Black), BL (Blue), GY (Gray), LA (Light Almond), RD (Red), RN (Orange), V (Ivory), W (White)

**Icon Key**

 NAFTA Compliant - see page O-30

**Certifications**

2000 series wallplates are cULus certified  
5000 series wallplates are cULus certified  
90000 series wallplates are UL and CSA certified

**Specification Information:**

Wallplates: J-21