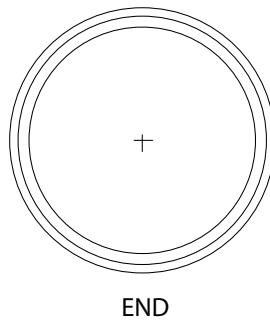
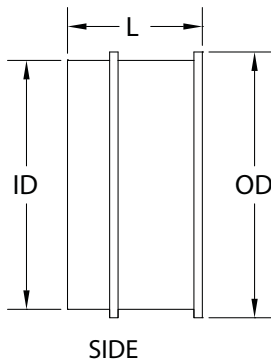


Schedule 40 End Bell - Molded

Used in concrete vault walls to provide a smooth, safe entrance to the conduit outside. Protects wiring which is being pulled through the vault wall.

Meets requirements of NEMA TC-9



Part Number	Trade Size	Carton Qty.	"L"	"ID"	"OD"
5144003	1/2	100	1.000	.625	1.250
5144004	3/4	100	1.000	.875	1.500
5144005	1	50	1.250	1.063	1.750
5144006	1-1/4	50	1.313	1.375	2.125
5144007	1-1/2	50	1.563	1.625	2.500
5144008	2	40	1.563	2.063	2.813
5144009	2-1/2	30	1.875	2.500	3.375
5144010	3	50	2.063	3.000	4.125
5144011	3-1/2	50	2.250	3.500	4.625
5144012	4	50	2.375	4.000	5.125
5144013	5	25	2.438	5.063	6.375
5144014	6	15	2.875	6.063	7.375
5143987	*8	1	10.000	8.063	10.375

* 8 inch trade size is not UL Listed Dimensions are nominal

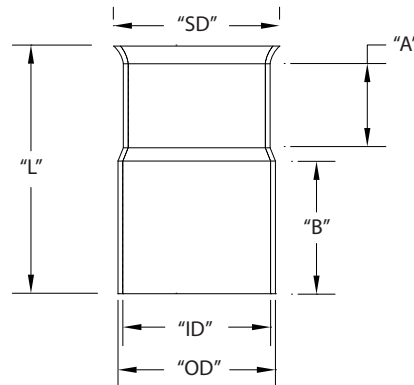
Schedule 40 End Bell - Fabricated



NEMA TC-9 Compliant
 Material is rigid PVC

Part Number	Trade Size	Carton Qty.	"A"	"B"	"L"	"ID"	"OD"	"SD"
5143980	2	50	2.000	3.000	6.000 ± .25	2.390	2.750	3.000
5143982	3	50	2.000	3.000	6.000 ± .25	3.500	3.980	4.360
5143984	4	45	1.625	3.625	5.750 ± .25	4.500	5.125	5.250
5143986D	6	15	3.000	3.500	7.000 ± .25	6.625	7.313	5.750

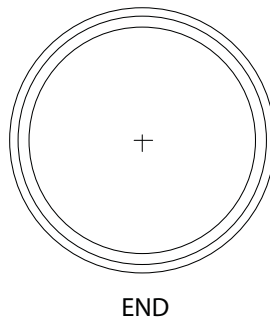
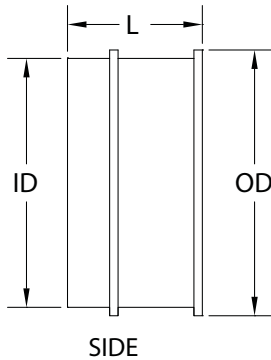
Dimensions are nominal



Schedule 40 End Bell - Molded

Used in concrete vault walls to provide a smooth, safe entrance to the conduit outside. Protects wiring which is being pulled through the vault wall.

Meets requirements of NEMA TC-9



Part Number	Trade Size	Carton Qty.	"L"	"ID"	"OD"
5144003	1/2	100	1.000	.625	1.250
5144004	3/4	100	1.000	.875	1.500
5144005	1	50	1.250	1.063	1.750
5144006	1-1/4	50	1.313	1.375	2.125
5144007	1-1/2	50	1.563	1.625	2.500
5144008	2	40	1.563	2.063	2.813
5144009	2-1/2	30	1.875	2.500	3.375
5144010	3	50	2.063	3.000	4.125
5144011	3-1/2	50	2.250	3.500	4.625
5144012	4	50	2.375	4.000	5.125
5144013	5	25	2.438	5.063	6.375
5144014	6	15	2.875	6.063	7.375
5143987	*8	1	10.000	8.063	10.375

* 8 inch trade size is not UL Listed Dimensions are nominal

Schedule 40 End Bell - Fabricated



NEMA TC-9 Compliant
 Material is rigid PVC

Part Number	Trade Size	Carton Qty.	"A"	"B"	"L"	"ID"	"OD"	"SD"
5143980	2	50	2.000	3.000	6.000 ± .25	2.390	2.750	3.000
5143982	3	50	2.000	3.000	6.000 ± .25	3.500	3.980	4.360
5143984	4	45	1.625	3.625	5.750 ± .25	4.500	5.125	5.250
5143986D	6	15	3.000	3.500	7.000 ± .25	6.625	7.313	5.750

Dimensions are nominal

