



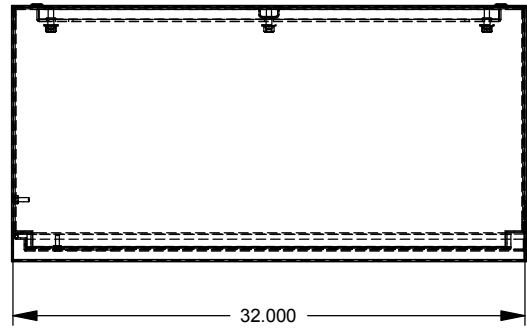
Catalog Number: 403214-TC3R-SP1  
Item Description: N3R TELEPHONE CAB SPC  
UPC Code: 784572517684

**Brand Name:** Milbank  
**Type:** Telephone Cabinet  
**Special Features:** Pad Locking Draw Latch Installed, Steel Back Panel Installed, Continuous Hinge  
**Application:** Outdoor Telephone Cabinet  
**Standard:** UL Listed, Type 3R  
**Number Of Outlet:** 0  
**Door:** Single Door  
**Material:** Steel with Powder Coat Finish  
**Cable Entry:** No Knockouts  
**Color:** ANSI 61 Gray  
**Mounting:** Wall Mount

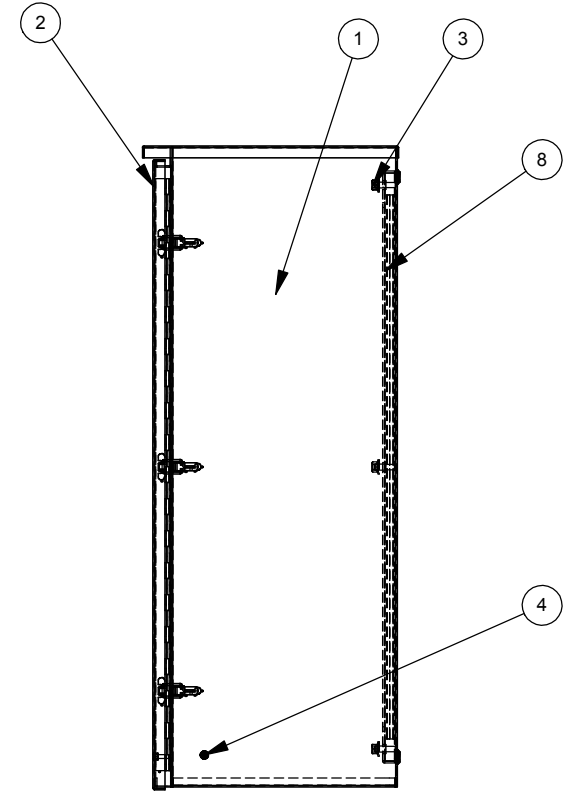
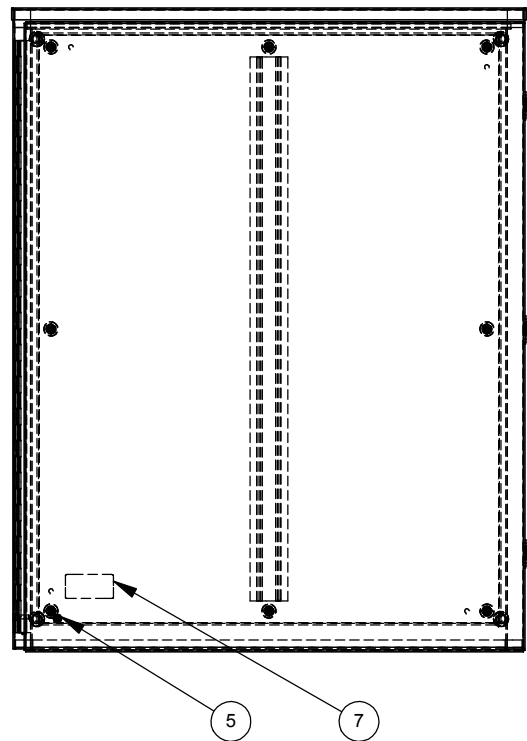
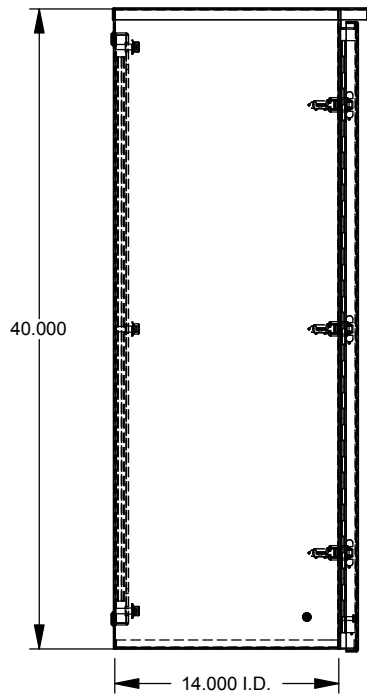



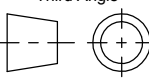
*Utility requirements may vary. Always consult the serving utility for their requirements prior to ordering or installing this equipment. This product must always be installed by a licensed electrician. Installation of this equipment may require local electrical inspector approval.*

ROI #	CATALOG #	BACK PANEL
1175366	403214-TC3R-WB	1175833
1135494	403214-TC3R-SP1	1178023



ITEM NO.	PART NUMBER	DESCRIPTION	QTY.
1	1175828	BACK WELDMENT	1
2	1175866	FRONT WELDMENT	1
3	1001273	NUT, 3/8-16 HEX W/BELL	8
4	1122966	PEM STUD 1/4-20 x 1, SS	2
5	1047116	NUT, HEX 1/4-20 W/SEMS	2
6	1175882	CARTON (NOT SHOWN)	1
7	1003115	LABEL (UL)	1
8	SEE CHART	BACK PANEL	1



Material:	14 GA. GALV. STEEL		 KANSAS CITY, MO USA
Shear/Die No.:			
Finish:	MILBANK LIGHT GRAY		Title: 40 X 32 X 14 TYPE 3R TELEPHONE CABINET
Part Wt.:	LBS. EA.		
Paint Qty.:	GRAMS		
Tolerances:	Third Angle		Catalog No.: 403214-TC3R(-)
Unless Specified Otherwise XX ±.1 X.XX ±.03 X.XXX ±.015 X* ±2*			
Scale:	NTS	Checked By:	Customer:
Drawn By:	AS	Approved By:	Drawing No.: 1175366
		Date:	03/17/15
		Sheet:	1 of 1

REV.	DATE	DESCRIPTION	ECO No.	BY
**	02/26/15	FIRST RELEASE	30065	AJS



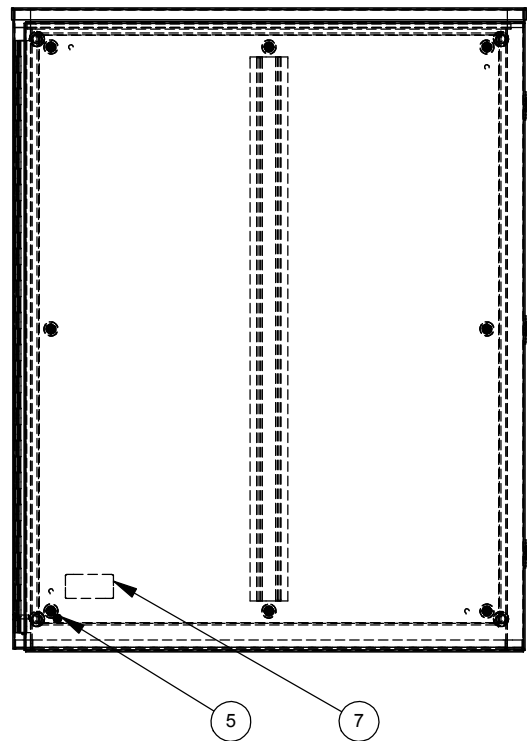
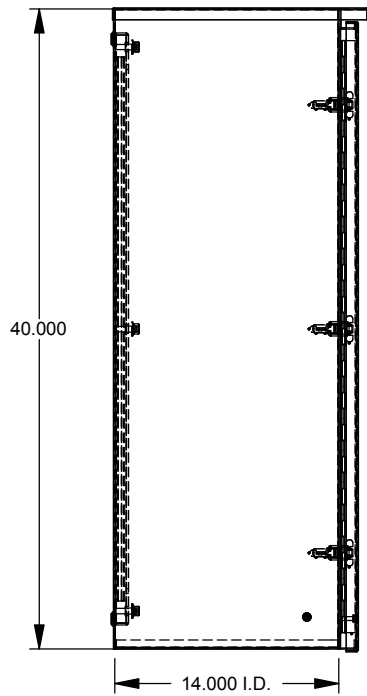
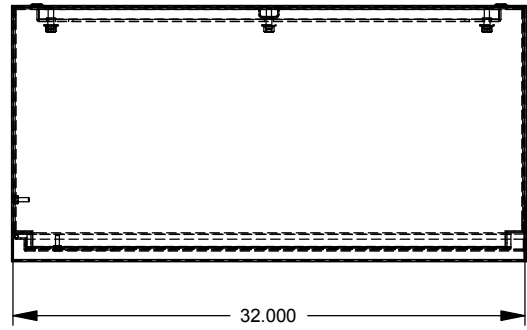
Catalog Number: 403214-TC3R-SP1  
Item Description: N3R TELEPHONE CAB SPC  
UPC Code: 784572517684

**Brand Name:** Milbank  
**Type:** Telephone Cabinet  
**Special Features:** Pad Locking Draw Latch Installed, Steel Back Panel Installed, Continuous Hinge  
**Application:** Outdoor Telephone Cabinet  
**Standard:** UL Listed, Type 3R  
**Number Of Outlet:** 0  
**Door:** Single Door  
**Material:** Steel with Powder Coat Finish  
**Cable Entry:** No Knockouts  
**Color:** ANSI 61 Gray  
**Mounting:** Wall Mount

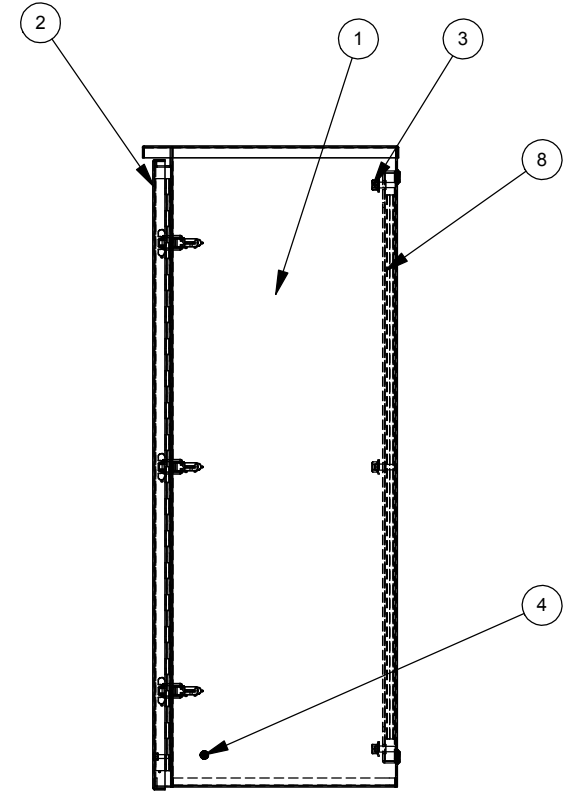


*Utility requirements may vary. Always consult the serving utility for their requirements prior to ordering or installing this equipment. This product must always be installed by a licensed electrician. Installation of this equipment may require local electrical inspector approval.*


ROI #	CATALOG #	BACK PANEL
1175366	403214-TC3R-WB	1175833
1135494	403214-TC3R-SP1	1178023



ITEM NO.	PART NUMBER	DESCRIPTION	QTY.
1	1175828	BACK WELDMENT	1
2	1175866	FRONT WELDMENT	1
3	1001273	NUT, 3/8-16 HEX W/BELL	8
4	1122966	PEM STUD 1/4-20 x 1, SS	2
5	1047116	NUT, HEX 1/4-20 W/SEMS	2
6	1175882	CARTON (NOT SHOWN)	1
7	1003115	LABEL (UL)	1
8	SEE CHART	BACK PANEL	1



REV.	DATE	DESCRIPTION	ECO No.	BY
**	02/26/15	FIRST RELEASE	30065	AJS

Material:	14 GA. GALV. STEEL	 KANSAS CITY, MO USA
Shear/Die No.:		
Finish:	MILBANK LIGHT GRAY	Title: 40 X 32 X 14 TYPE 3R TELEPHONE CABINET
Part Wt.:		
Paint Qty.:		Catalog No.: 403214-TC3R(-)
Tolerances: Unless Specified Otherwise X.X ±.1 X.XX ±.03 X.XXX ±.015 X* ±2*		Customer:
Scale:	NTS	Drawing No.: 1175366
Drawn By:	AS	Date: 03/17/15
Checked By:		Sheet: 1 of 1
Approved By:		