

# SYLVANIA Lamps

## ValueLED™ High Lumen A-Line Lamp

### Application

ValueLED High Lumen A-Line Lamps are ideal for outdoor bollard or post top applications and indoor low bay lighting.

### Benefits and Features

- No warm-up time, instant on with full light output and stable color
- Consumes up to 84% less energy than equivalent HID lamps while delivering same light output
- Passive cooling design (higher reliability with no internal fan)
- Rated for open and enclosed fixtures
- Up to 135 LPW
- 3000K, 4000K and 5000K color temperatures
- CRI 80+
- 360° beam angle (or omnidirectional)

### Electrical

- 120-277V<sub>AC</sub>
- Power Factor >90%
- 2kV surge protection
- Non-dimmable

### Rated Life

- 17W & 24W: 40,000 hours (L<sub>70</sub>)
- 32W: 25,000 hours (L<sub>70</sub>)

### Warranty

- Standard 5 year lamp warranty

### Ambient Operating Range

- -4°F to 113°F (-20°C to 45°C)



### Wattage Comparison

Traditional Source	Traditional System Wattage	LED System Wattage	Energy Savings	Energy Savings Over Lamp Life
HID Metal Halide	50W HID/ 100W Incandescent	17W	83%	\$456
HID Metal Halide	70W HID/ 150W Incandescent	24W	84%	\$693
HID Metal Halide	100W HID/ 200W Incandescent	32W	84%	\$924

### Certifications and Listings

- IP64 Rated
- cULus
- RoHS
- FCC\*
- Lead Free
- Mercury Free
- UL

\*This device complies with Part 15 of the FCC rules. Operation is subject to the following two conditions: (1) this device may not cause harmful interference, and (2) this device must accept any interference received, including interference that may cause undesired operation. Please visit: [www.SYLVANIA.com/fccpart15b](http://www.SYLVANIA.com/fccpart15b) for more information.

### Installation

- Requires easy ballast by-pass
- Lamp operates directly on line voltage, 120-277 V<sub>AC</sub>
- Base Up & Base Down Mounting orientation available



Catalog #	Type
Project	
Comments	
Prepared by	

**Ordering Guide**

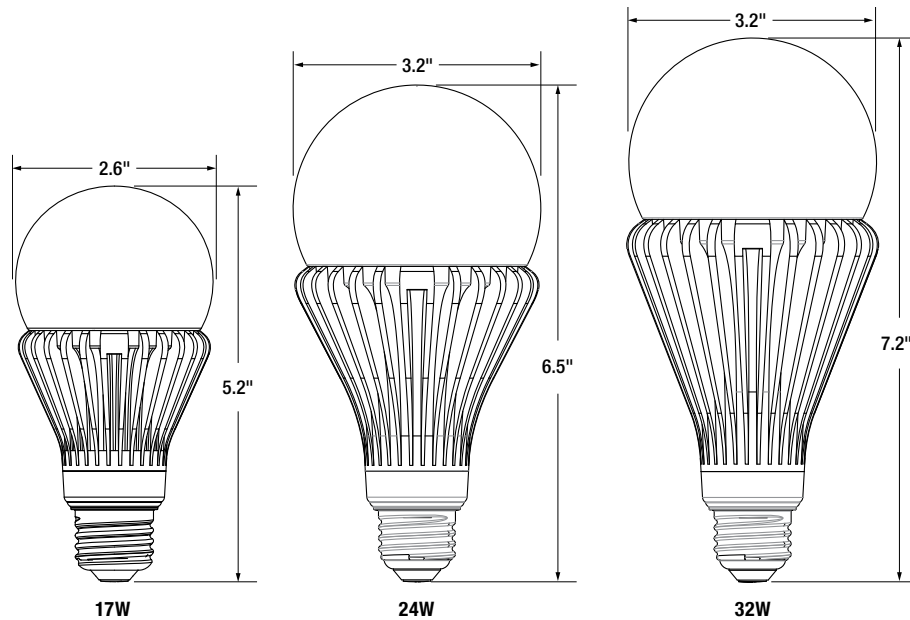
LED	XX	HIDR	XXX	UNV	8	XX	MED
LED	Wattage	Lamp Type	Lamp Shape	Voltage	CRI	Color Temperature	Base Type
LED Lamps and Retrofits	17, 24 or 32 Watts	HID Replacement	A21, A23 or PS25	Universal 120-277V	8 = 80+	30 = 3000K 40 = 4000K 50 = 5000K	MED = E26 Medium Base

**Ordering Information**

Item Number	Ordering Abbreviation	Power (W)	Base Type	Replaces	Lamp Shape	Input Voltage (V)	Average Life (hrs)	Typical Lumens (lm)	CCT	CRI	Power Factor	Dimming	Case Qty	CEC
41035	LED17HIDRA21UNV850MED	17	Medium base	50W HID/100W Incandescent	A21	120-277	40,000	2125	5000K	80+	0.9	No	6	No
41036	LED24HIDRA23UNV830MED	24	Medium base	70W HID/150W Incandescent	A23	120-277	40,000	3000	3000K	80+	0.9	No	6	Yes
41037	LED24HIDRA23UNV840MED	24	Medium base	70W HID/150W Incandescent	A23	120-277	40,000	3310	4000K	80+	0.9	No	6	Yes
41038	LED24HIDRA23UNV850MED	24	Medium base	70W HID/150W Incandescent	A23	120-277	40,000	3310	5000K	80+	0.9	No	6	Yes
41039	LED32HIDRPS25UNV830MED	32	Medium base	100W HID/200W Incandescent	PS25	120-277	25,000	4000	3000K	80+	0.9	No	6	Yes
41040	LED32HIDRPS25UNV840MED	32	Medium base	100W HID/200W Incandescent	PS25	120-277	25,000	4320	4000K	80+	0.9	No	6	Yes
41041	LED32HIDRPS25UNV850MED	32	Medium base	100W HID/200W Incandescent	PS25	120-277	25,000	4320	5000K	80+	0.9	No	6	Yes

**Physical Information**

	(A) Height (inches)	(B) Diameter (inches)
LED HIDR 17W	5.2	2.6
LED HIDR 24W	6.5	3.2
LED HIDR 32W	7.2	3.2



### Additional Specifications

- Verify fixture size before installation to ensure fit
- Cannot be used with dimmers
- Should not be directly exposed to water

LEDVANCE LLC  
181 Ballardvale Street, Suite 203  
Wilmington, MA 01887 USA  
Phone 1-800-LIGHTBULB (1-800-544-4828)  
[www.ledvanceUS.com](http://www.ledvanceUS.com)

SYLVANIA and LEDVANCE are registered trademarks.  
All other trademarks are those of their respective owners.  
Licensee of product trademark SYLVANIA in general lighting.  
Specifications subject to change without notice.



SCAN TO FOLLOW US  
ON SOCIAL MEDIA



# SYLVANIA Lamps

## ValueLED™ High Lumen A-Line Lamp

### Application

ValueLED High Lumen A-Line Lamps are ideal for outdoor bollard or post top applications and indoor low bay lighting.

### Benefits and Features

- No warm-up time, instant on with full light output and stable color
- Consumes up to 84% less energy than equivalent HID lamps while delivering same light output
- Passive cooling design (higher reliability with no internal fan)
- Rated for open and enclosed fixtures
- Up to 135 LPW
- 3000K, 4000K and 5000K color temperatures
- CRI 80+
- 360° beam angle (or omnidirectional)

### Electrical

- 120-277V<sub>AC</sub>
- Power Factor >90%
- 2kV surge protection
- Non-dimmable

### Rated Life

- 17W & 24W: 40,000 hours (L<sub>70</sub>)
- 32W: 25,000 hours (L<sub>70</sub>)

### Warranty

- Standard 5 year lamp warranty

### Ambient Operating Range

- -4°F to 113°F (-20°C to 45°C)



### Wattage Comparison

Traditional Source	Traditional System Wattage	LED System Wattage	Energy Savings	Energy Savings Over Lamp Life
HID Metal Halide	50W HID/ 100W Incandescent	17W	83%	\$456
HID Metal Halide	70W HID/ 150W Incandescent	24W	84%	\$693
HID Metal Halide	100W HID/ 200W Incandescent	32W	84%	\$924

### Certifications and Listings

- IP64 Rated
- cULus
- RoHS
- FCC\*
- Lead Free
- Mercury Free
- UL

\*This device complies with Part 15 of the FCC rules. Operation is subject to the following two conditions: (1) this device may not cause harmful interference, and (2) this device must accept any interference received, including interference that may cause undesired operation. Please visit: [www.SYLVANIA.com/fccpart15b](http://www.SYLVANIA.com/fccpart15b) for more information.

### Installation

- Requires easy ballast by-pass
- Lamp operates directly on line voltage, 120-277 V<sub>AC</sub>
- Base Up & Base Down Mounting orientation available



Catalog #	Type
Project	
Comments	
Prepared by	

**Ordering Guide**

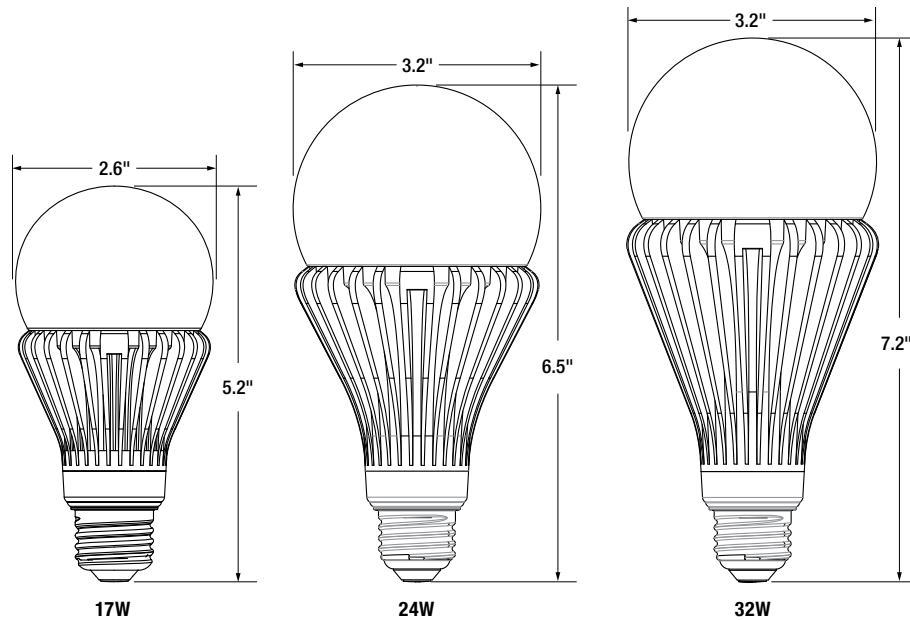
LED	XX	HIDR	XXX	UNV	8	XX	MED
LED	Wattage	Lamp Type	Lamp Shape	Voltage	CRI	Color Temperature	Base Type
LED Lamps and Retrofits	17, 24 or 32 Watts	HID Replacement	A21, A23 or PS25	Universal 120-277V	8 = 80+	30 = 3000K 40 = 4000K 50 = 5000K	MED = E26 Medium Base

**Ordering Information**

Item Number	Ordering Abbreviation	Power (W)	Base Type	Replaces	Lamp Shape	Input Voltage (V)	Average Life (hrs)	Typical Lumens (lm)	CCT	CRI	Power Factor	Dimming	Case Qty	CEC
41035	LED17HIDRA21UNV850MED	17	Medium base	50W HID/100W Incandescent	A21	120-277	40,000	2125	5000K	80+	0.9	No	6	No
41036	LED24HIDRA23UNV830MED	24	Medium base	70W HID/150W Incandescent	A23	120-277	40,000	3000	3000K	80+	0.9	No	6	Yes
41037	LED24HIDRA23UNV840MED	24	Medium base	70W HID/150W Incandescent	A23	120-277	40,000	3310	4000K	80+	0.9	No	6	Yes
41038	LED24HIDRA23UNV850MED	24	Medium base	70W HID/150W Incandescent	A23	120-277	40,000	3310	5000K	80+	0.9	No	6	Yes
41039	LED32HIDRPS25UNV830MED	32	Medium base	100W HID/200W Incandescent	PS25	120-277	25,000	4000	3000K	80+	0.9	No	6	Yes
41040	LED32HIDRPS25UNV840MED	32	Medium base	100W HID/200W Incandescent	PS25	120-277	25,000	4320	4000K	80+	0.9	No	6	Yes
41041	LED32HIDRPS25UNV850MED	32	Medium base	100W HID/200W Incandescent	PS25	120-277	25,000	4320	5000K	80+	0.9	No	6	Yes

**Physical Information**

	(A) Height (inches)	(B) Diameter (inches)
LED HIDR 17W	5.2	2.6
LED HIDR 24W	6.5	3.2
LED HIDR 32W	7.2	3.2



### Additional Specifications

- Verify fixture size before installation to ensure fit
- Cannot be used with dimmers
- Should not be directly exposed to water

LEDVANCE LLC  
181 Ballardvale Street, Suite 203  
Wilmington, MA 01887 USA  
Phone 1-800-LIGHTBULB (1-800-544-4828)  
[www.ledvanceUS.com](http://www.ledvanceUS.com)

SYLVANIA and LEDVANCE are registered trademarks.  
All other trademarks are those of their respective owners.  
Licensee of product trademark SYLVANIA in general lighting.  
Specifications subject to change without notice.



SCAN TO FOLLOW US  
ON SOCIAL MEDIA

