

# SYLVANIA Lamps

## ECO LED BR30

### Application

SYLVANIA ECO LED line of products delivers a quality LED light, at an affordable price. This lasting, economical line of LED lamps provides the perfect lighting solution for any budget.

### Benefits and Features

- UV and IR free
- Suitable for damp environments
- Lasts up to 4x longer than incandescent lamps
- No warm-up time, instant-on with full light output and stable color
- Up to 65 LPW
- 2700K, 3000K, 4000K and 5000K color temperatures
- CRI 80

### Electrical

- 120VAC
- Dimmable

### Rated Life

- 7700 hours (L<sub>70</sub>)

### Warranty

- 1 year limited lamp warranty (3 hours per day operation)

### Ambient Operating Range

- -4°F to 104°F (-20°C to 40°C)



### Wattage Comparison

Traditional Source	Traditional System Wattage	LED System Wattage	Energy Savings
Incandescent	65	10	\$186.34

### Certifications and Listings

- cULus
- RoHS
- Lead Free
- Mercury Free
- FCC\*

\*FCC Title 47 CFR, Part 15 Subpart B Class B



## Specification Data

Catalog #	Type
Project	
Comments	
Prepared by	

### Ordering Guide

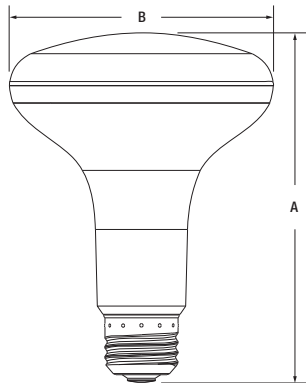
ECOLED	10	BR30	DIM	8	XX	7Y	V	RP4
ECO LED	Wattage 10 = 10 Watts	Lamp Type BR30	Dimmable	CRI 8 = 80	Color Temperature 27 = 2700K 30 = 3000K 40 = 4000K 50 = 5000K	7Y = 7 Year Life	V = Value	4PK Retail

### Ordering Information

Item Number	Ordering Abbreviation	Power (W)	Base Type	Replaces	Input Voltage	Average Life (hrs)	Typical Lumens (lm)	CCT	CRI	ENERGY STAR®
40870	ECOLED10BR30DIM8277YVRP4 16/CS 4/SKU	10	E26	65W Incandescent	120V	7700	650	2700K	80	N/A
41101	ECOLED10BR30DIM8307YVRP4 16/CS 4/SKU	10	E26	65W Incandescent	120V	7700	650	3000K	80	N/A
41102	ECOLED10BR30DIM8407YVRP4 16/CS 4/SKU	10	E26	65W Incandescent	120V	7700	650	4000K	80	N/A
40871	ECOLED10BR30DIM8507YVRP4 16/CS 4/SKU	10	E26	65W Incandescent	120V	7700	650	5000K	80	N/A

### Physical Information

	(A) Height inches (mm)	(B) Diameter inches (mm)
ECO LED BR30	3.74 (95)	5.00 (127)



LEDVANCE LLC  
 200 Ballardvale Street  
 Wilmington, MA 01887 USA  
 Phone 1-800-LIGHTBULB (1-800-544-4828)  
 www.sylvania.com

SYLVANIA and LEDVANCE are registered trademarks.  
 All other trademarks are those of their respective owners.  
 Licensee of product trademark SYLVANIA in general lighting.  
 Specifications subject to change without notice.

[/sylvania](https://twitter.com/sylvania) [/sylvania](https://facebook.com/sylvania)



# SYLVANIA Lamps

## ECO LED BR30

### Application

SYLVANIA ECO LED line of products delivers a quality LED light, at an affordable price. This lasting, economical line of LED lamps provides the perfect lighting solution for any budget.

### Benefits and Features

- UV and IR free
- Suitable for damp environments
- Lasts up to 4x longer than incandescent lamps
- No warm-up time, instant-on with full light output and stable color
- Up to 65 LPW
- 2700K, 3000K, 4000K and 5000K color temperatures
- CRI 80

### Electrical

- 120VAC
- Dimmable

### Rated Life

- 7700 hours (L<sub>70</sub>)

### Warranty

- 1 year limited lamp warranty (3 hours per day operation)

### Ambient Operating Range

- -4°F to 104°F (-20°C to 40°C)



### Wattage Comparison

Traditional Source	Traditional System Wattage	LED System Wattage	Energy Savings
Incandescent	65	10	\$186.34

### Certifications and Listings

- cULus
- RoHS
- Lead Free
- Mercury Free
- FCC\*

\*FCC Title 47 CFR, Part 15 Subpart B Class B



## Specification Data

Catalog #	Type
Project	
Comments	
Prepared by	

## Ordering Guide

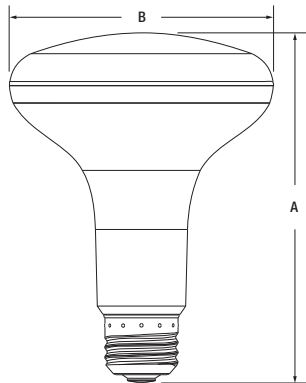
ECOLED	10	BR30	DIM	8	XX	7Y	V	RP4
ECO LED	Wattage 10 = 10 Watts	Lamp Type BR30	Dimmable	CRI 8 = 80	Color Temperature 27 = 2700K 30 = 3000K 40 = 4000K 50 = 5000K	7Y = 7 Year Life	V = Value	4PK Retail

## Ordering Information

Item Number	Ordering Abbreviation	Power (W)	Base Type	Replaces	Input Voltage	Average Life (hrs)	Typical Lumens (lm)	CCT	CRI	ENERGY STAR®
40870	ECOLED10BR30DIM8277YVRP4 16/CS 4/SKU	10	E26	65W Incandescent	120V	7700	650	2700K	80	N/A
41101	ECOLED10BR30DIM8307YVRP4 16/CS 4/SKU	10	E26	65W Incandescent	120V	7700	650	3000K	80	N/A
41102	ECOLED10BR30DIM8407YVRP4 16/CS 4/SKU	10	E26	65W Incandescent	120V	7700	650	4000K	80	N/A
40871	ECOLED10BR30DIM8507YVRP4 16/CS 4/SKU	10	E26	65W Incandescent	120V	7700	650	5000K	80	N/A

## Physical Information

	(A) Height inches (mm)	(B) Diameter inches (mm)
ECO LED BR30	3.74 (95)	5.00 (127)



LEDVANCE LLC  
 200 Ballardvale Street  
 Wilmington, MA 01887 USA  
 Phone 1-800-LIGHTBULB (1-800-544-4828)  
[www.sylvania.com](http://www.sylvania.com)

SYLVANIA and LEDVANCE are registered trademarks.  
 All other trademarks are those of their respective owners.  
 Licensee of product trademark SYLVANIA in general lighting.  
 Specifications subject to change without notice.

[/sylvania](https://twitter.com/sylvania) [/sylvania](https://facebook.com/sylvania)

